



US00D861610S

(12) **United States Design Patent** (10) **Patent No.:** **US D861,610 S**
Shepard et al. (45) **Date of Patent:** **** Oct. 1, 2019**

(54) **PNEUMATIC CONNECTOR**

(71) Applicant: **Virginia Panel Corporation**,
Wayneboro, VA (US)

(72) Inventors: **Adam Peter Shepard**, McGaheysville,
VA (US); **David Lawrence Rocker**,
Earlysville, VA (US)

(73) Assignee: **Virginia Panel Corporation**,
Waynesboro, VA (US)

(**) Term: **15 Years**

(21) Appl. No.: **29/595,851**

(22) Filed: **Mar. 2, 2017**

(51) **LOC (12) Cl.** **13-03**

(52) **U.S. Cl.**
USPC **D13/133; D15/144**

(58) **Field of Classification Search**
USPC D13/158, 160, 133, 147, 150, 154, 184,
D13/199; D15/143, 148, 199, 138, 144,
D15/144.1, 144.2, 150, 151, 152;
D23/213, 259, 262; D24/129, 167, 168,
D24/170, 184, 188, 200, 231
CPC A61M 16/0816; A61M 16/0833; A61M
16/0875; A61M 39/10; F16B 41/00; F16B
41/002; F16L 11/118; F16L 21/00; F16L
21/02; F16L 21/08; F16L 33/207; F16L
33/092; F16L 37/00; F16L 37/14; F16L
37/24; F16L 37/088; F16L 37/144; F16L
39/00; G06F 1/1613; G06F 1/1626; G06F
1/1628; G06F 1/1656; H01R 4/00; H01R
4/24; H01R 4/38; H01R 9/05; H01R
9/0524; H01R 12/00; H01R 13/00; H01R
13/40; H01R 13/44; H01R 13/52; H01R
13/62; H01R 13/622; H01R 13/639;
H01R 24/525; H01R 43/16

See application file for complete search history.

(56) **References Cited**

U.S. PATENT DOCUMENTS

4,886,466 A * 12/1989 Doherty H01R 13/005
439/191

4,971,063 A * 11/1990 Flachslaender A61B 5/02141
600/490

5,655,794 A * 8/1997 Sell F16L 39/02
285/124.1

6,126,610 A * 10/2000 Rich A61M 16/0051
128/204.23

D619,706 S * 7/2010 Schon D24/129

2005/0253360 A1 * 11/2005 Steyn B60D 1/62
280/421

(Continued)

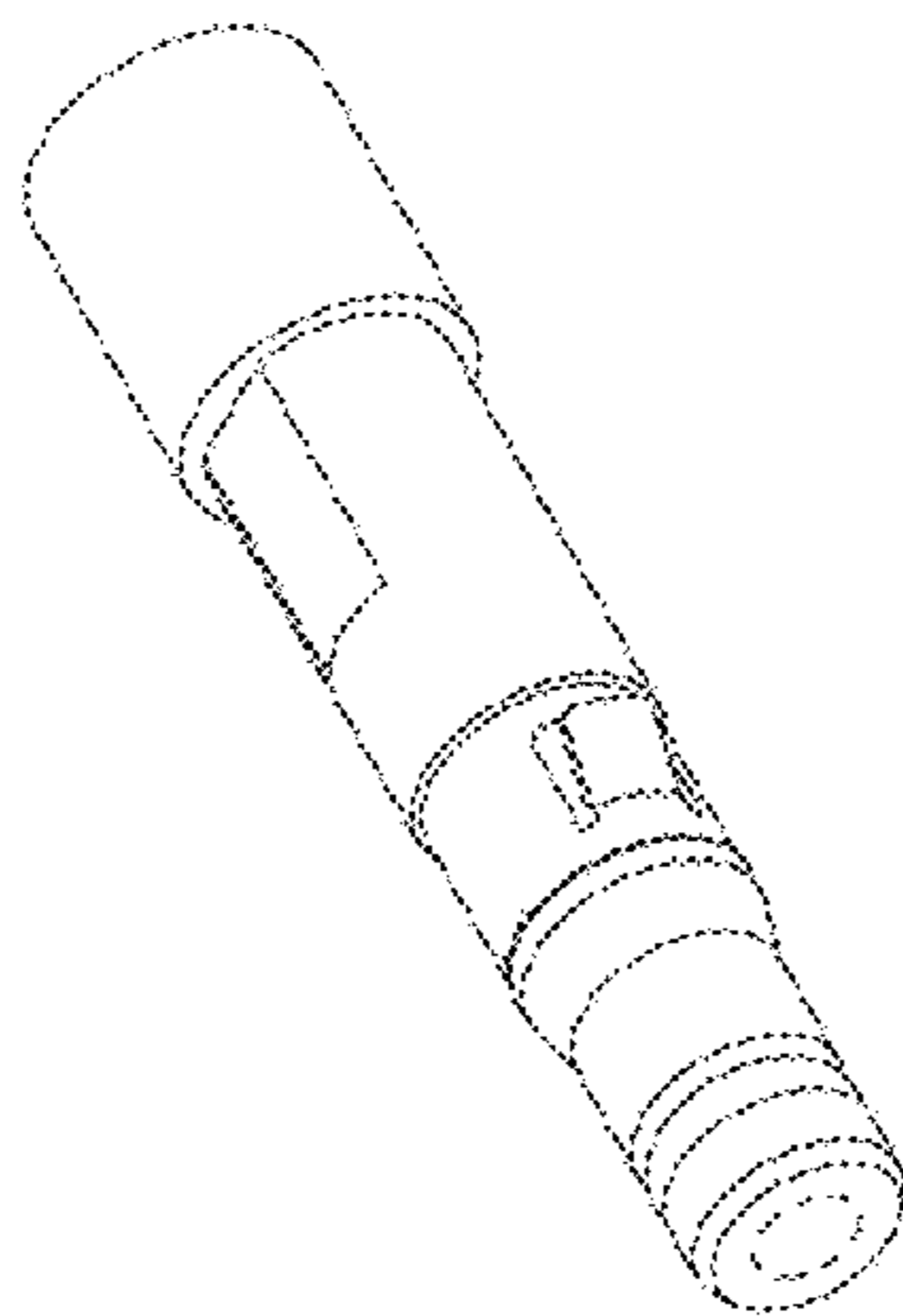
Primary Examiner — Patricia A Palasik
(74) *Attorney, Agent, or Firm* — 24IP Law Group USA,
PLLC; Timothy DeWitt

(57) **CLAIM**
The ornamental design for a pneumatic connector, as shown
and described.

DESCRIPTION

FIG. 1 is a perspective view of a pneumatic connector
showing our new design;
FIG. 2 is a right side view of the pneumatic connector shown
in FIG. 1;
FIG. 3 is a left side view of the pneumatic connector shown
in FIG. 1;
FIG. 4 is a front view of the pneumatic connector shown in
FIG. 1;
FIG. 5 is a back view of the pneumatic connector shown in
FIG. 1;
FIG. 6 is a top view of the pneumatic connector shown in
FIG. 1; and,
FIG. 7 is a bottom view of the pneumatic connector shown
in FIG. 1.
The broken lines in the drawings illustrate portions of the
pneumatic connector that form no part of the claimed design.

1 Claim, 4 Drawing Sheets



(56)

References Cited

U.S. PATENT DOCUMENTS

2012/0161432 A1* 6/2012 Mashak A61M 16/0816
285/122.1
2016/0045365 A1* 2/2016 Foster F16L 37/084
285/124.1

* cited by examiner

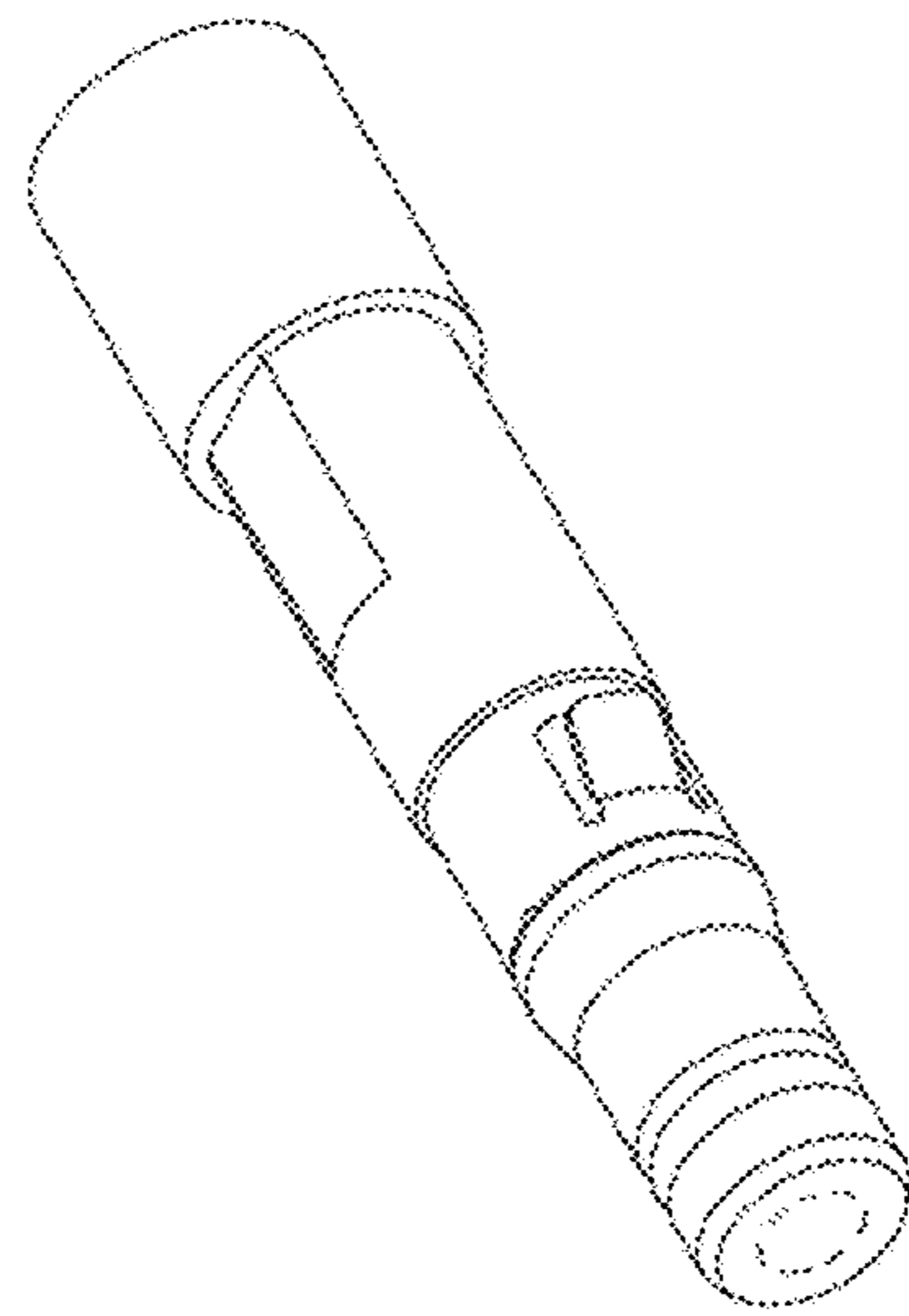


FIG. 1

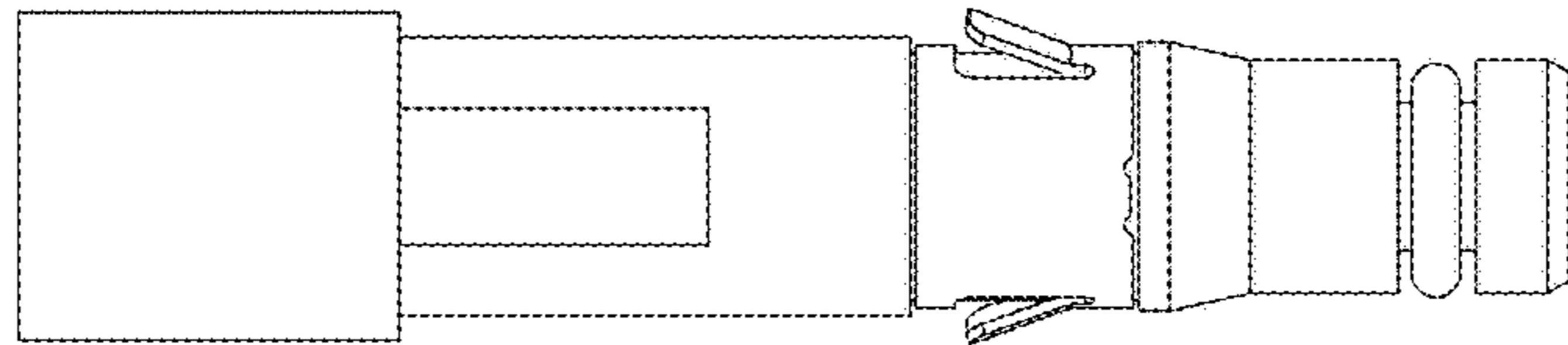


FIG. 2

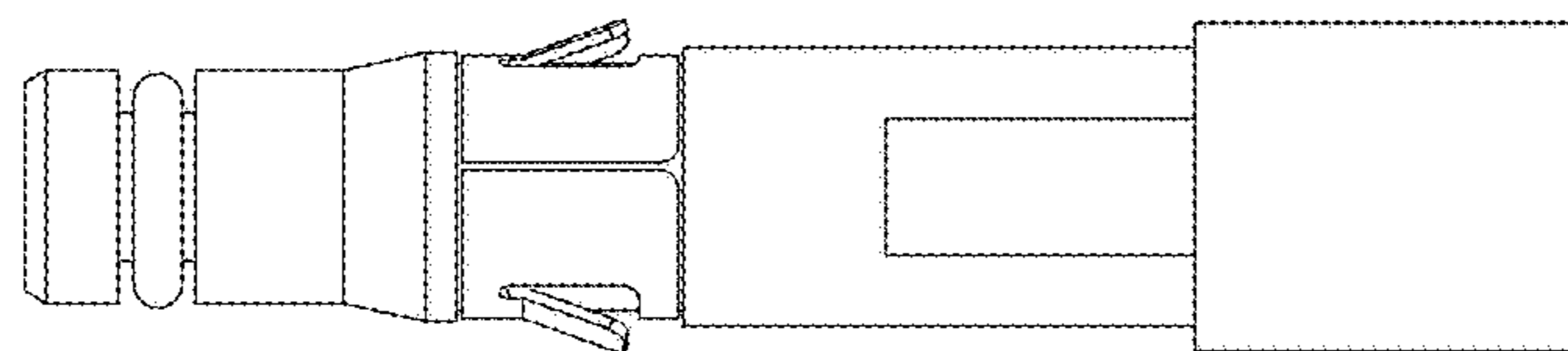


FIG. 3

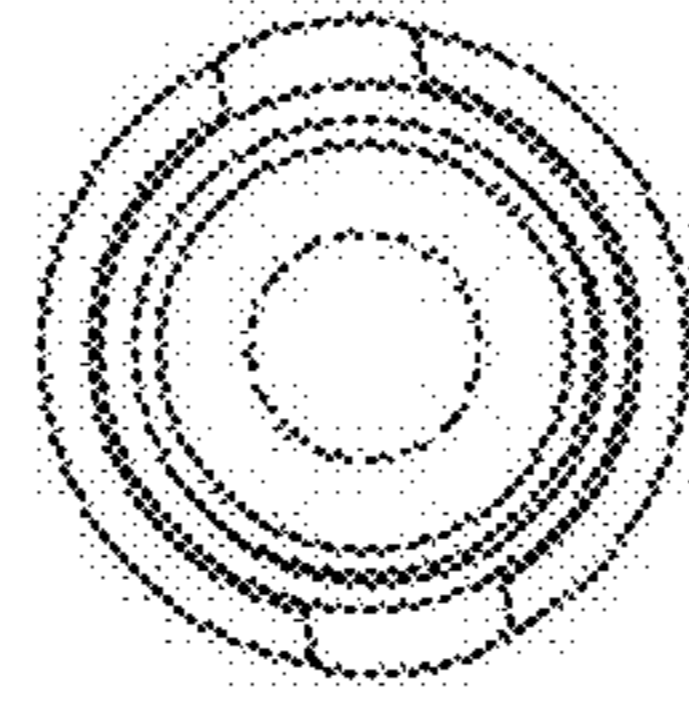


FIG. 4

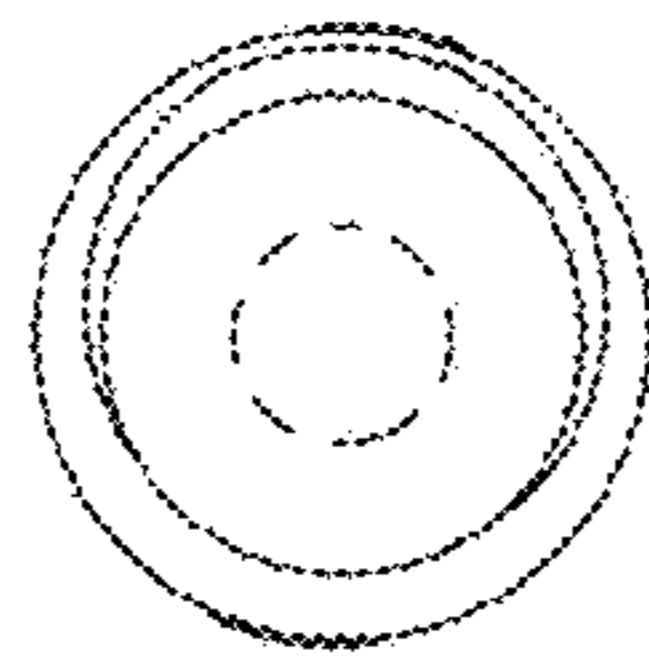


FIG. 5

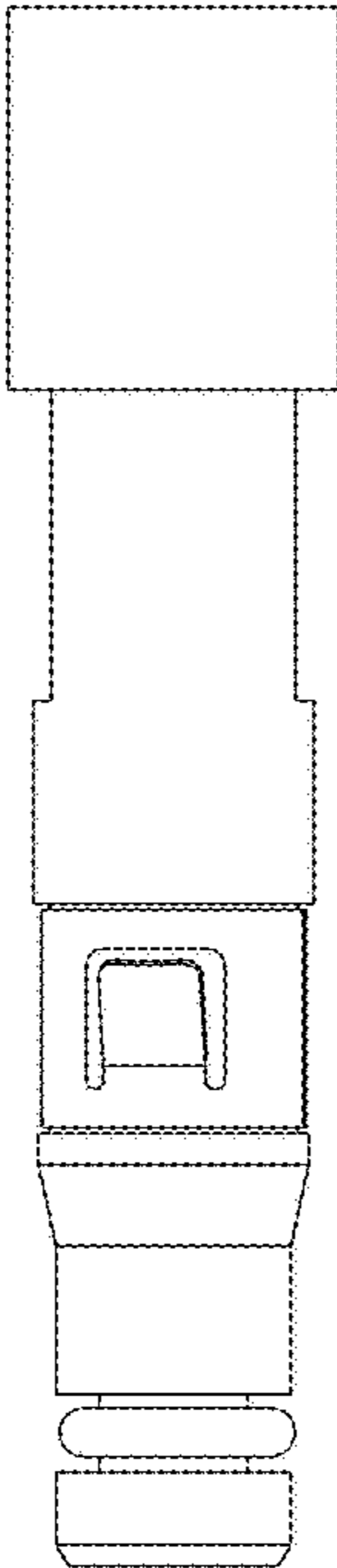


FIG. 6

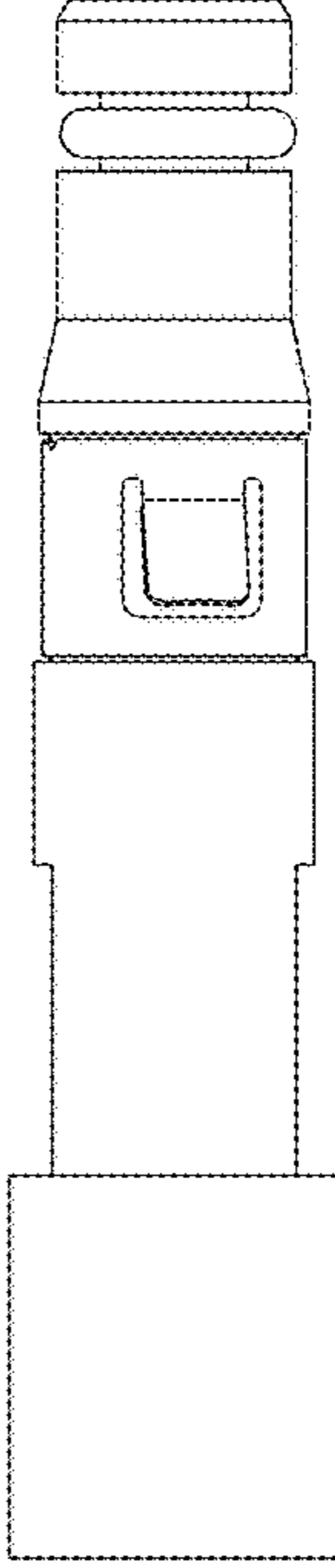


FIG. 7