



US00D861606S

(12) **United States Design Patent**  
**Yang**

(10) **Patent No.:** **US D861,606 S**

(45) **Date of Patent:** **\*\* Oct. 1, 2019**

(54) **BATTERY CASE**

(71) Applicant: **Jetmax Lighting Industrial Co., Limited**, Dongguan (CN)

(72) Inventor: **Ping Yang**, Dongguan (CN)

(73) Assignee: **Jetmax Lighting Industrial Co., Limited**, Dongguan (CN)

(\*\*) Term: **15 Years**

(21) Appl. No.: **29/601,379**

(22) Filed: **Apr. 21, 2017**

(51) **LOC (12) Cl.** ..... **13-02**

(52) **U.S. Cl.**  
USPC ..... **D13/119**

(58) **Field of Classification Search**  
USPC ..... D13/103, 107–108, 118–119, 184, 199;  
D3/273, 274, 302, 201, 264  
CPC .... H01M 2/04; H01M 2/0404; H01M 2/0406;  
H01M 2/0465; H01M 2/06  
See application file for complete search history.

(56) **References Cited**

**U.S. PATENT DOCUMENTS**

D275,339 S *	9/1984	McKinnon	.....	D13/164
D353,265 S *	12/1994	Newby, Sr.	.....	D3/269
D447,634 S *	9/2001	Snider	.....	D3/273
D448,167 S *	9/2001	Pangerc	.....	D3/273
D464,196 S *	10/2002	Parker	.....	D3/201
D465,330 S *	11/2002	Parker	.....	D3/201
D477,714 S *	7/2003	Cunningham	.....	D3/273
D513,123 S *	12/2005	Richardson	.....	D3/273
D517,988 S *	3/2006	Ihde	.....	D13/103
D569,103 S *	5/2008	Hoge	.....	D3/273
D569,616 S *	5/2008	Lin	.....	D3/273
D579,201 S *	10/2008	Galli	.....	D3/273

D686,157 S *	7/2013	Kawase	.....	D13/119
D700,778 S *	3/2014	To	.....	D14/250
D710,611 S *	8/2014	To	.....	D14/250
D751,423 S *	3/2016	Baldwin	.....	D10/40
D759,590 S *	6/2016	Wang	.....	D13/119
D785,567 S *	5/2017	Abena	.....	D13/119
D808,653 S *	1/2018	Rayeski	.....	D3/273
9,893,330 B2 *	2/2018	Lam	.....	H01M 2/1022
D823,788 S *	7/2018	Wei	.....	D13/103
D825,464 S *	8/2018	Xie	.....	D13/119
D825,465 S *	8/2018	Deng	.....	D13/119

\* cited by examiner

*Primary Examiner* — Rosemary K Tarca

(74) *Attorney, Agent, or Firm* — C. G. Mersereau; DeWitt LLP

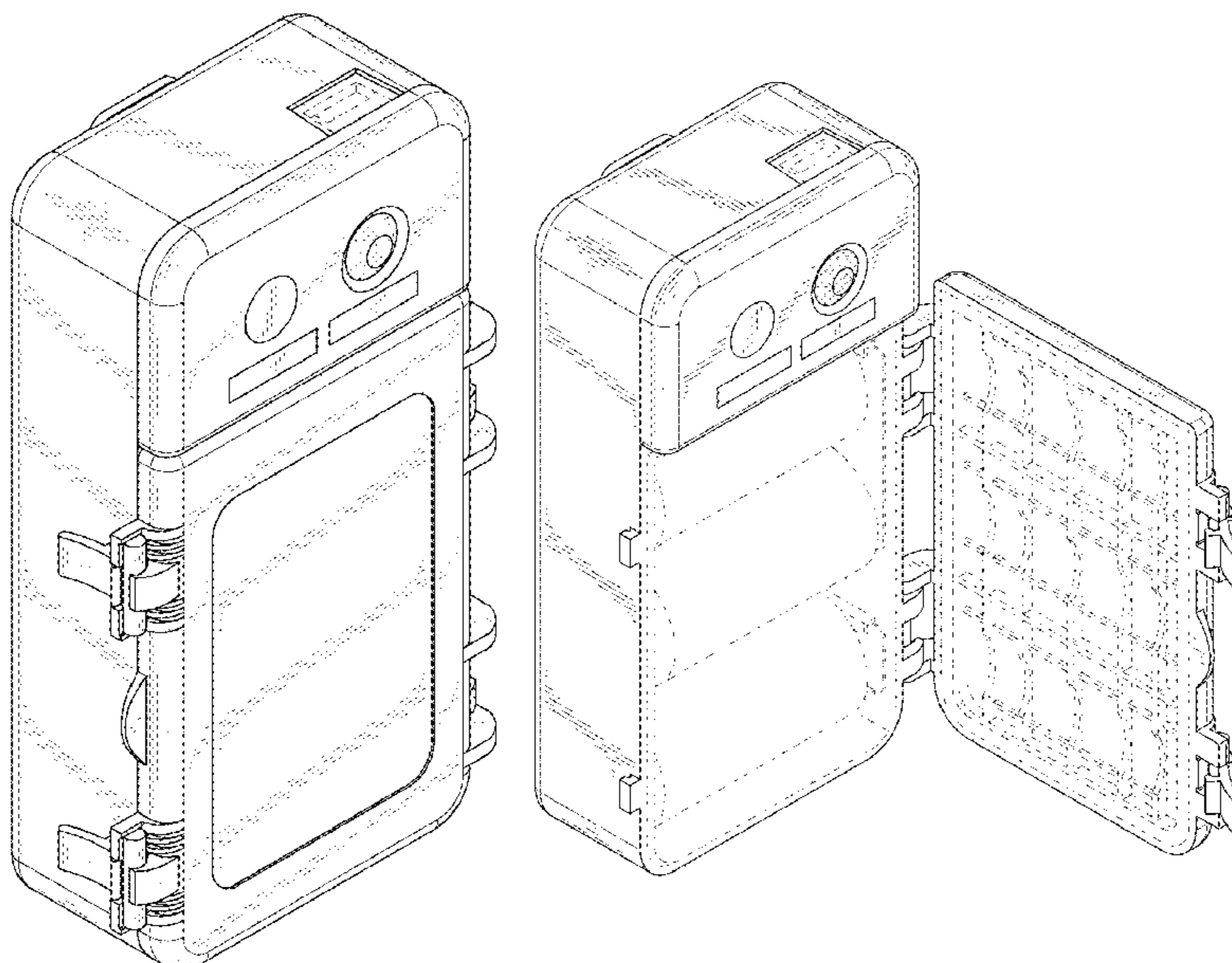
(57) **CLAIM**

The ornamental design for a battery case, as shown and described.

**DESCRIPTION**

FIG. 1 is a perspective view of a battery case, showing my new design;  
 FIG. 2 is another perspective view thereof;  
 FIG. 3 is a front view thereof;  
 FIG. 4 is a rear view thereof;  
 FIG. 5 is a left side view thereof;  
 FIG. 6 is a right side view thereof;  
 FIG. 7 is a top view thereof;  
 FIG. 8 is a bottom view thereof; and,  
 FIG. 9 is a perspective view thereof, shown in an open position of use.  
 The broken lines depict environmental structure and portions of the battery case which form no part of the claimed design.

**1 Claim, 9 Drawing Sheets**



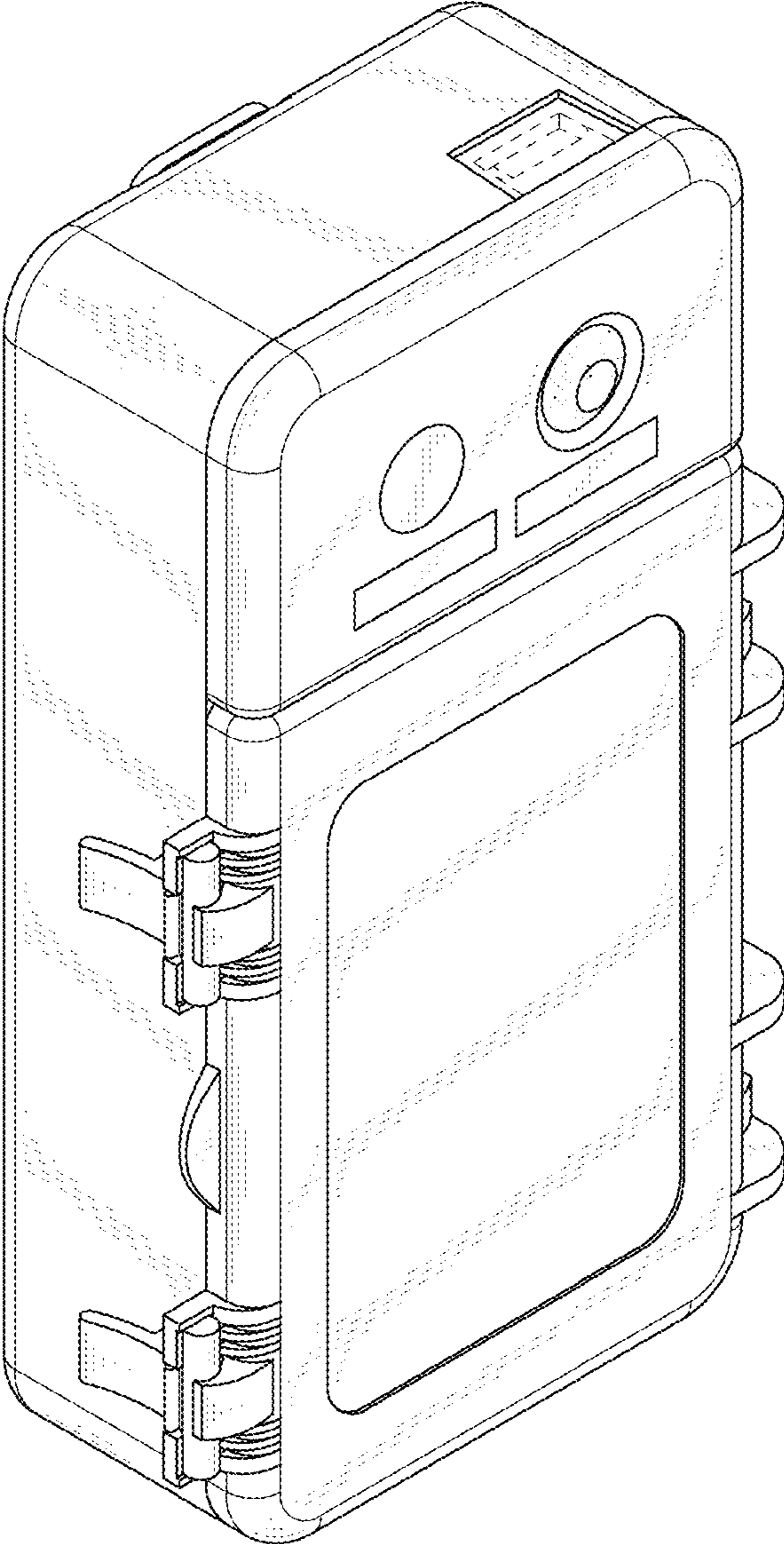


FIG. 1

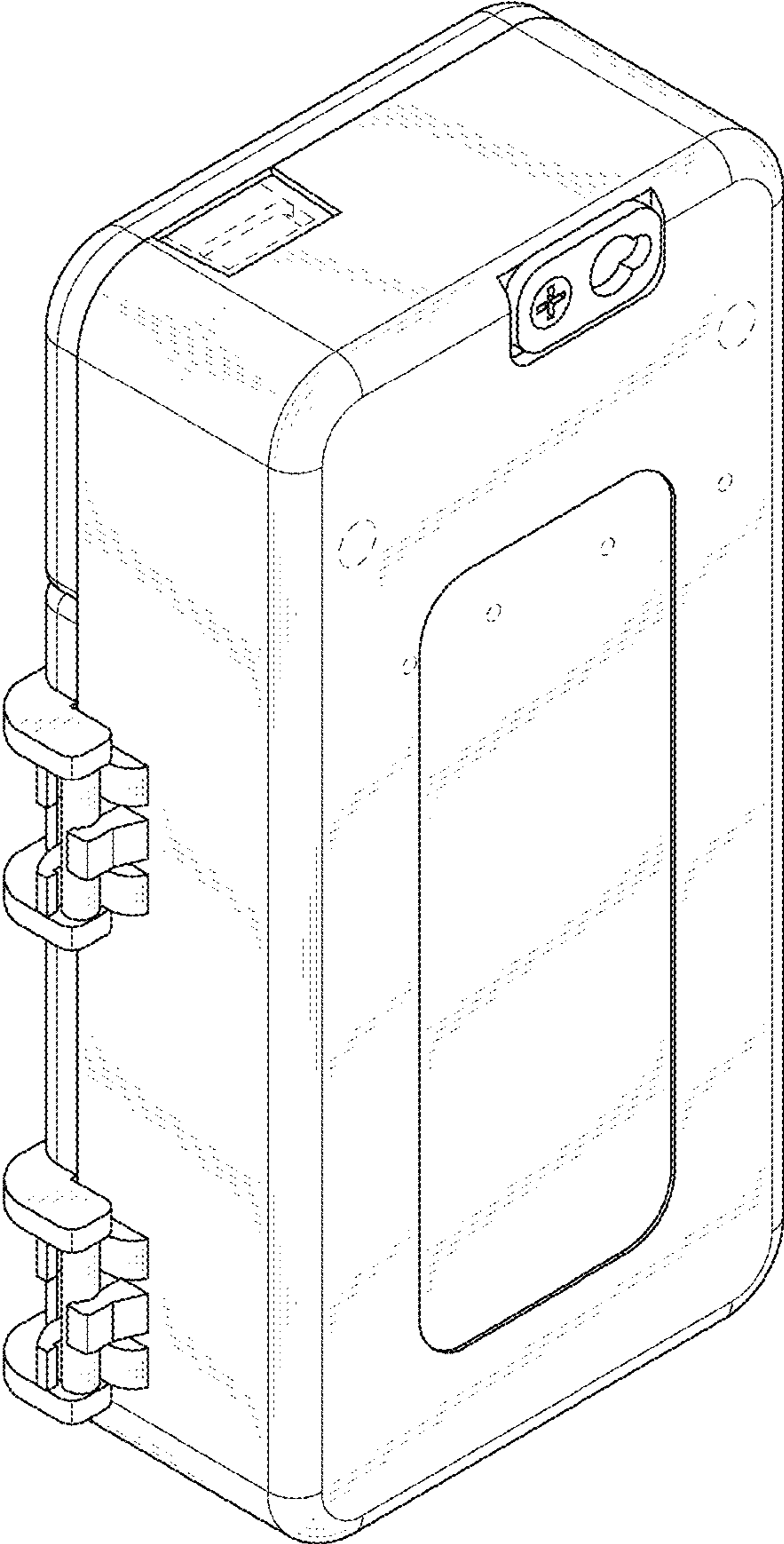


FIG. 2

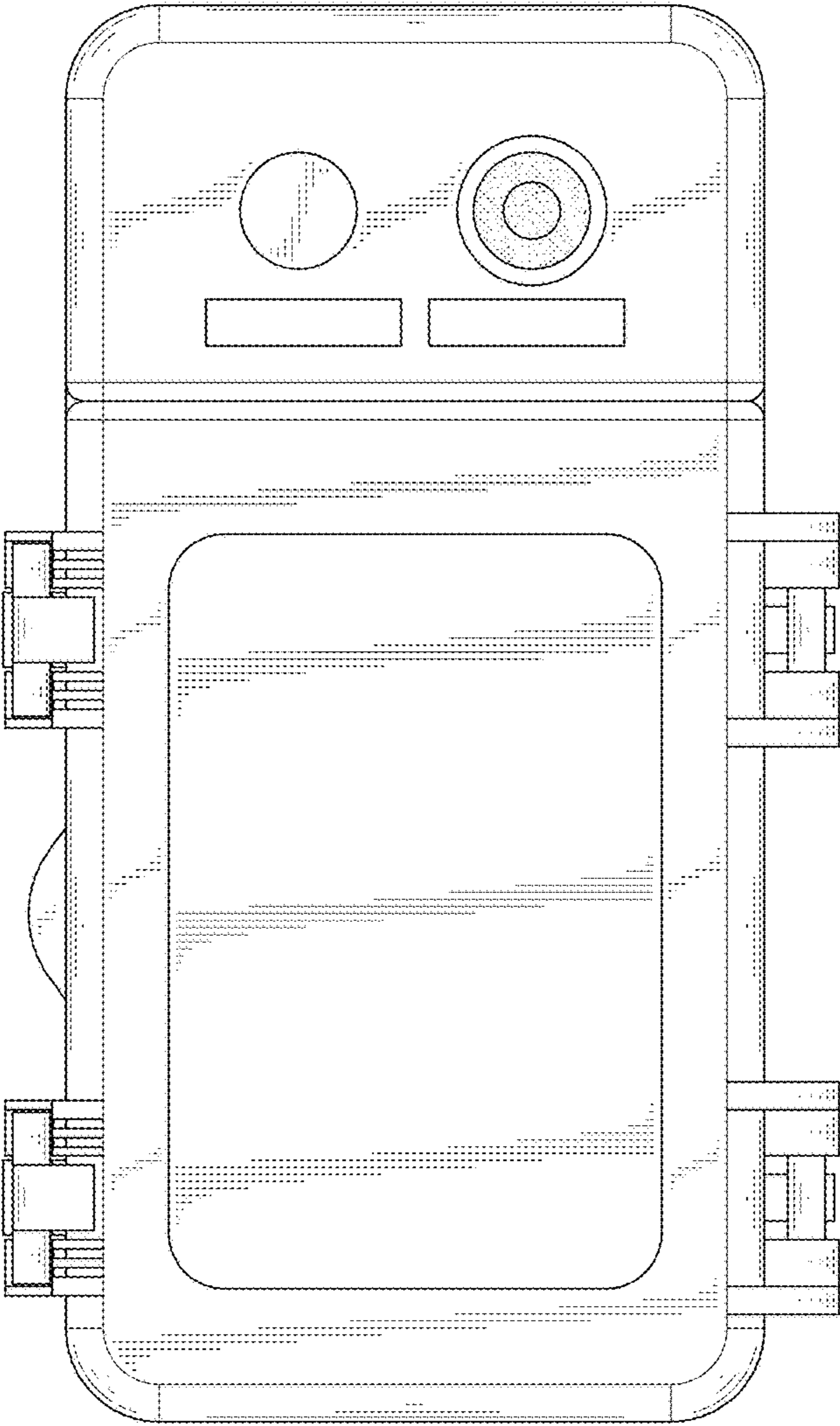


FIG. 3

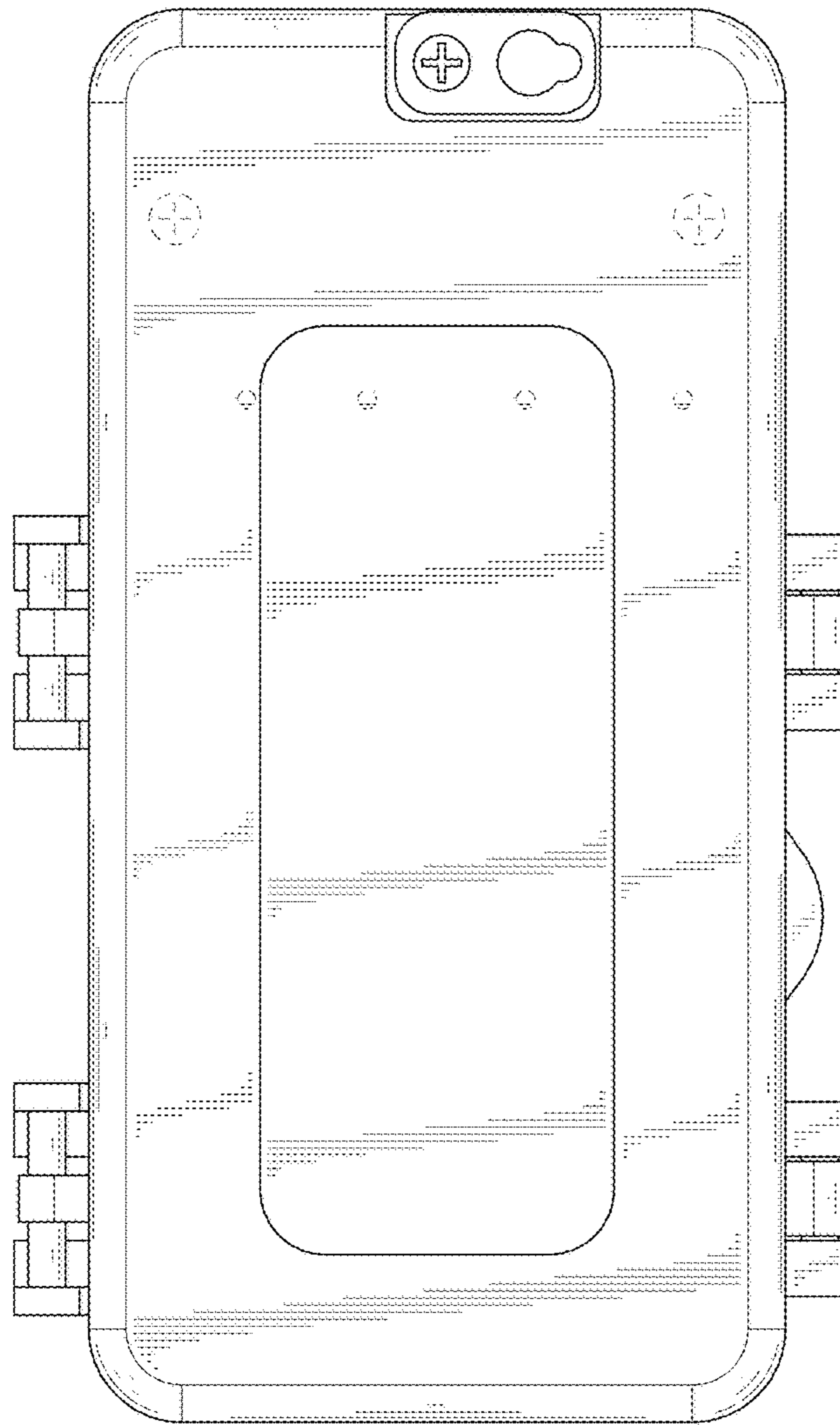


FIG. 4

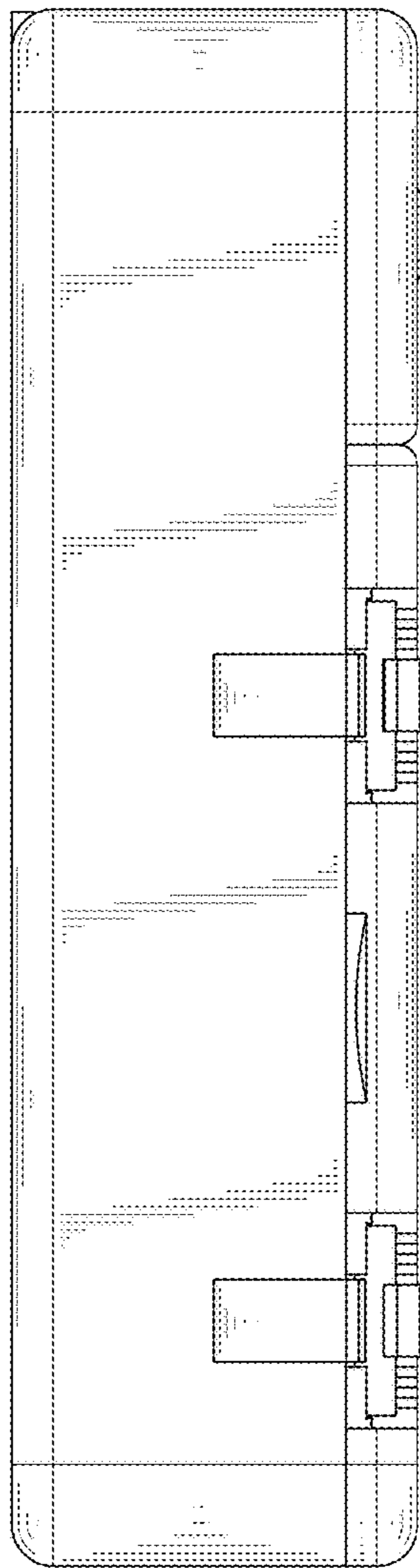


FIG. 5

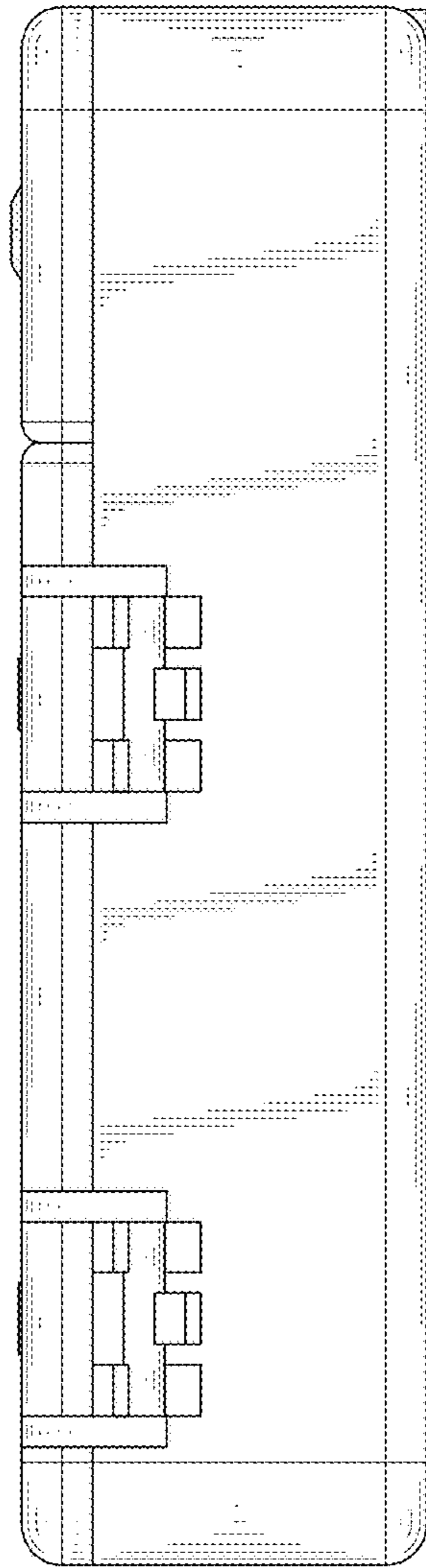


FIG. 6

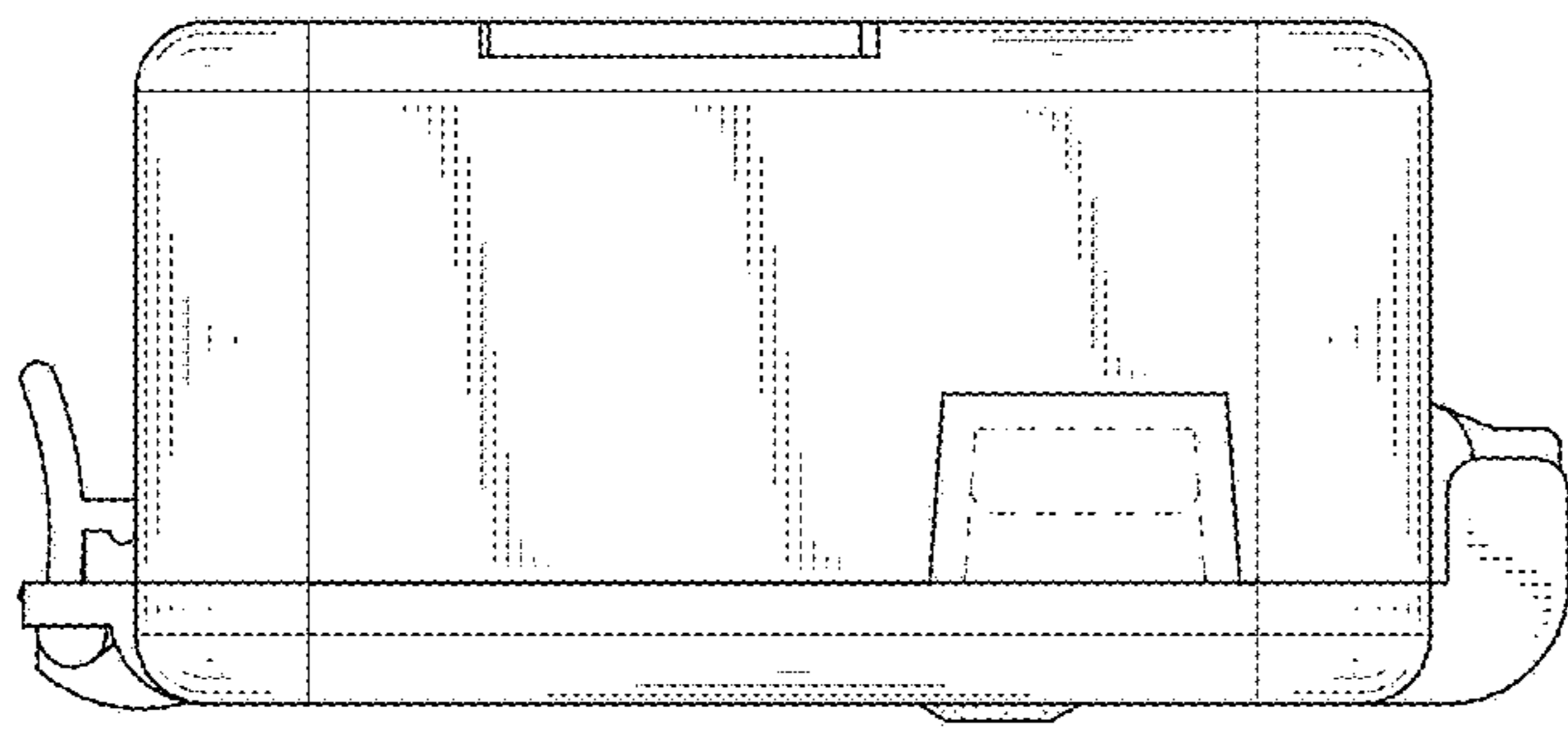


FIG. 7



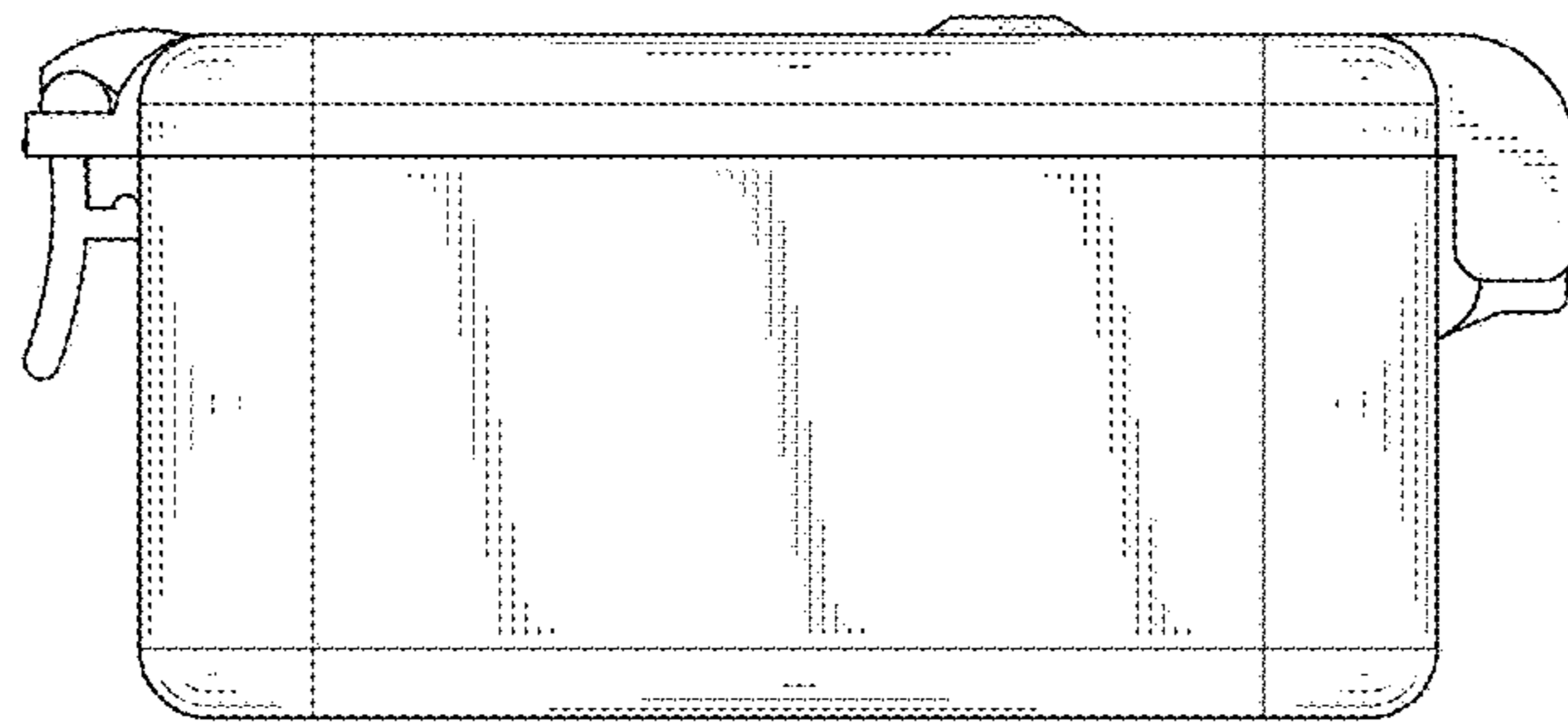


FIG. 8

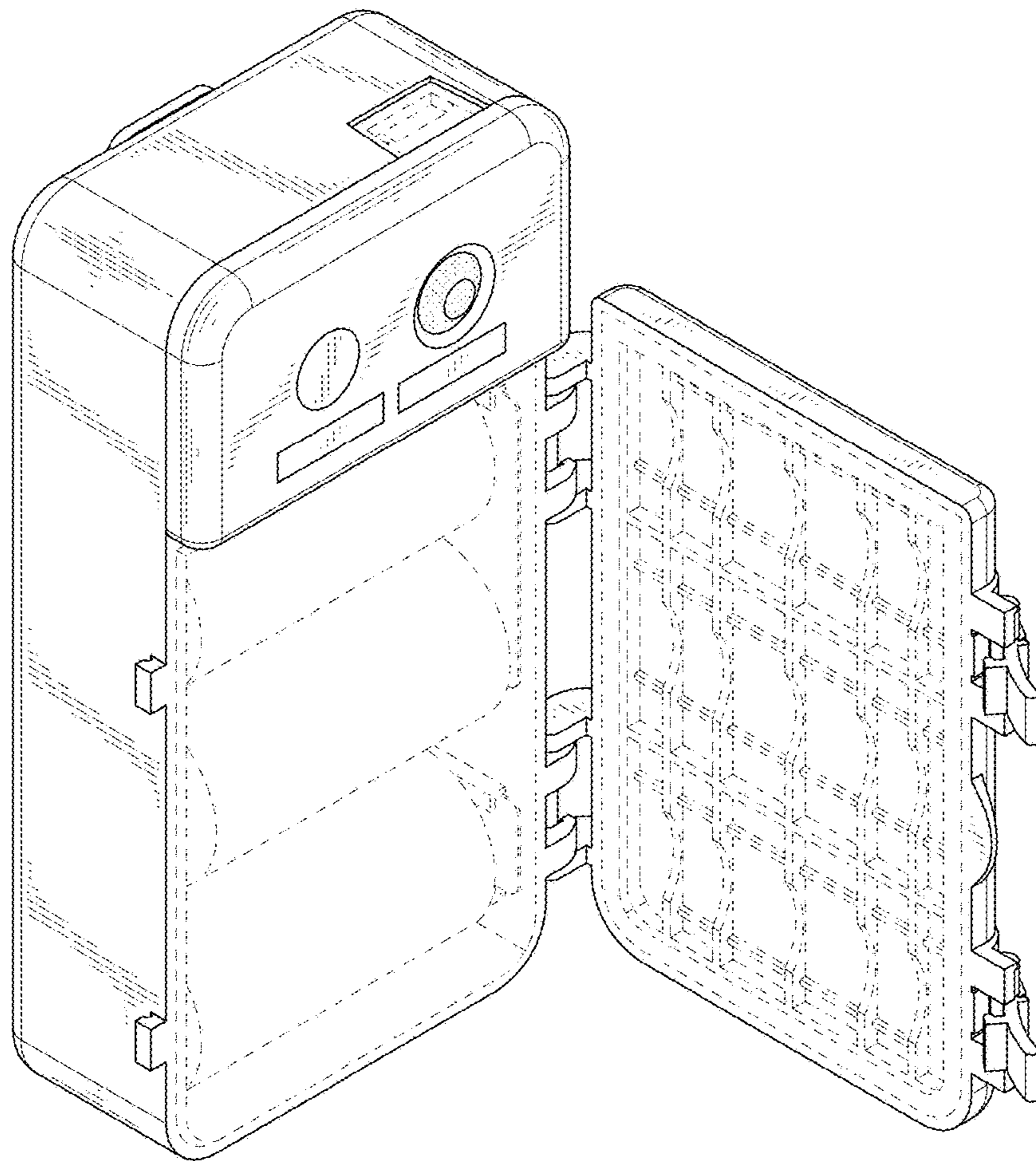


FIG. 9