



US00D861605S

(12) **United States Design Patent**
Yang

(10) **Patent No.:** **US D861,605 S**

(45) **Date of Patent:** **** Oct. 1, 2019**

(54) **BATTERY CASE**

(71) Applicant: **Jetmax Lighting Industrial Co., Limited, Dongguan (CN)**

(72) Inventor: **Ping Yang, Dongguan (CN)**

(73) Assignee: **Jetmax Lighting Industrial Co., Limited, Dongguan (CN)**

(**) Term: **15 Years**

(21) Appl. No.: **29/601,367**

(22) Filed: **Apr. 21, 2017**

(51) **LOC (12) Cl.** **13-02**

(52) **U.S. Cl.**
USPC **D13/119**

(58) **Field of Classification Search**
USPC D13/103, 107-108, 118-119, 184, 199;
D3/273, 274, 302, 201, 264; D8/330,
D8/331, 335, 338, 343
CPC H01M 2/04; H01M 2/0404; H01M 2/0406;
H01M 2/0465; H01M 2/06; E05B 65/52
See application file for complete search history.

(56) **References Cited**

U.S. PATENT DOCUMENTS

D351,331 S *	10/1994	Kuo	D8/331
D353,265 S *	12/1994	Newby, Sr.	D3/269
D371,503 S *	7/1996	Nakano	D8/331
D418,042 S *	12/1999	Allen	D8/331
D495,994 S *	9/2004	Arakelian	D13/103
D513,123 S *	12/2005	Richardson	D3/273
D579,201 S *	10/2008	Galli	D3/273
8,297,464 B2 *	10/2012	Grenier	A45C 13/1084 220/314
D686,157 S *	7/2013	Kawase	D13/119
D699,947 S *	2/2014	To	D14/250

D700,778 S *	3/2014	To	D14/250
D710,611 S *	8/2014	To	D14/250
D759,590 S *	6/2016	Wang	D13/119
9,512,648 B2 *	12/2016	Lin	E05B 65/52
D777,104 S *	1/2017	Liu	D13/119
9,650,096 B2 *	5/2017	Visenzi	B62J 9/00
D808,653 S *	1/2018	Rayeski	D3/273
D818,796 S *	5/2018	Huang	D8/331
D821,968 S *	7/2018	Zhao	D13/103
D823,788 S *	7/2018	Wei	D13/103
D825,464 S *	8/2018	Xie	D13/119
D825,465 S *	8/2018	Deng	D13/119
10,113,337 B2 *	10/2018	Wu	E05B 65/48

* cited by examiner

Primary Examiner — Rosemary K Tarcza

(74) *Attorney, Agent, or Firm* — C. G. Mersereau; DeWitt LLP

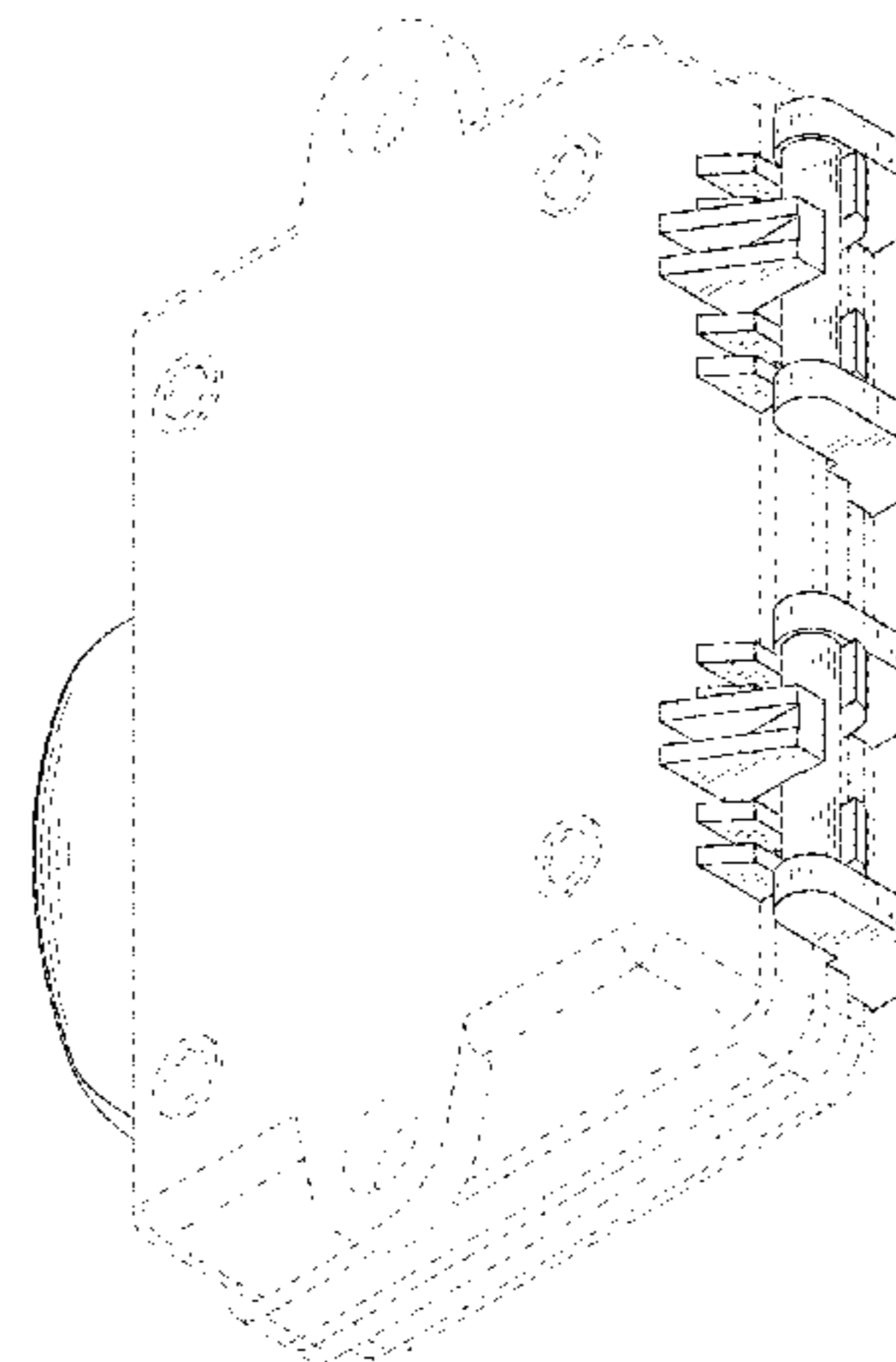
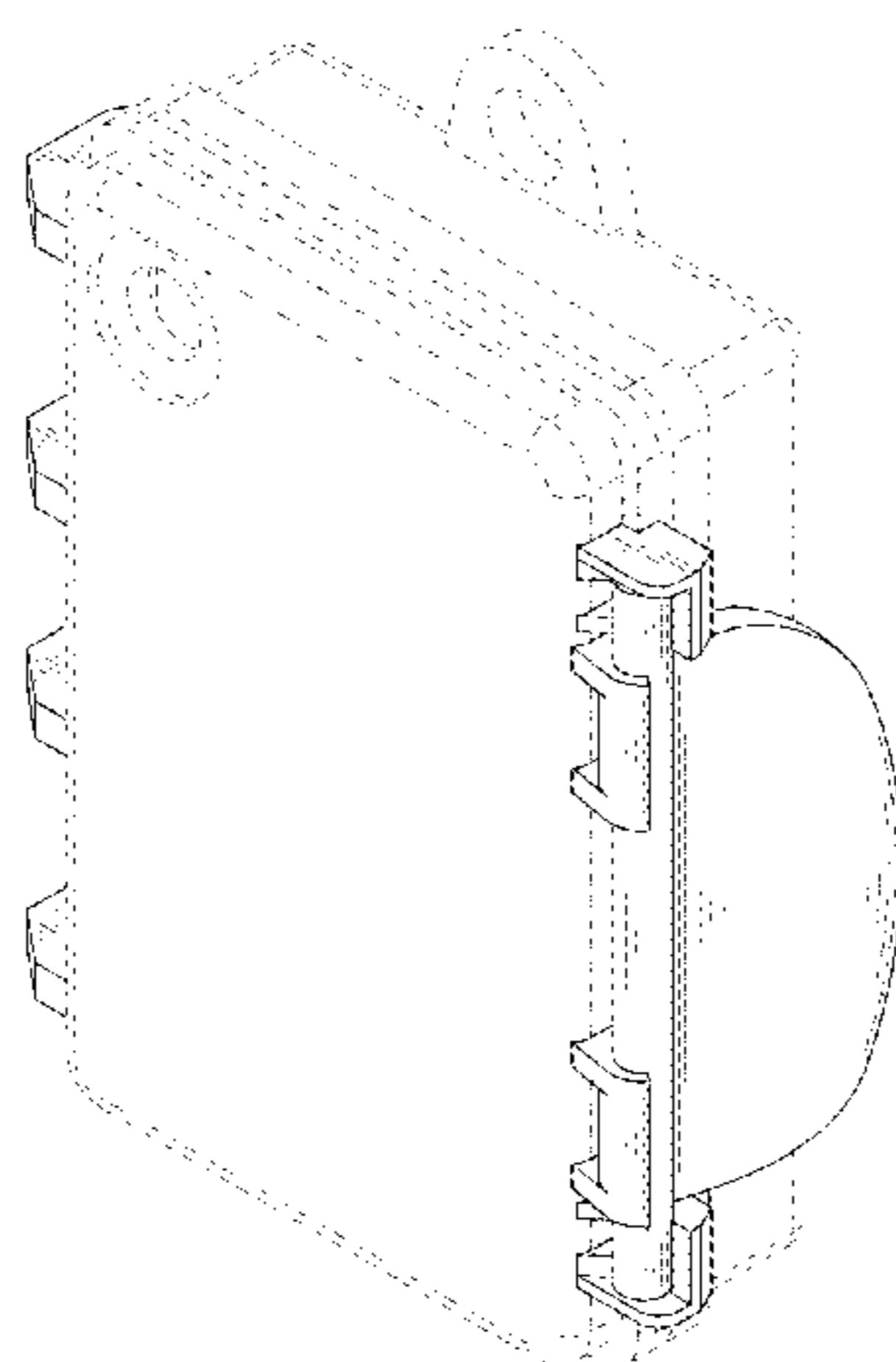
(57) **CLAIM**

The ornamental design for a battery case, as shown and described.

DESCRIPTION

FIG. 1 is a perspective view of a battery case, showing my new design;
 FIG. 2 is another perspective view thereof;
 FIG. 3 is a front view thereof;
 FIG. 4 is a rear view thereof;
 FIG. 5 is a left side view thereof;
 FIG. 6 is a right side view thereof;
 FIG. 7 is a top view thereof;
 FIG. 8 is a bottom view thereof; and,
 FIG. 9 is a perspective view thereof, shown in an open position of use.
 The broken lines depict environmental structure and portions of the battery case which form no part of the claimed design.

1 Claim, 9 Drawing Sheets



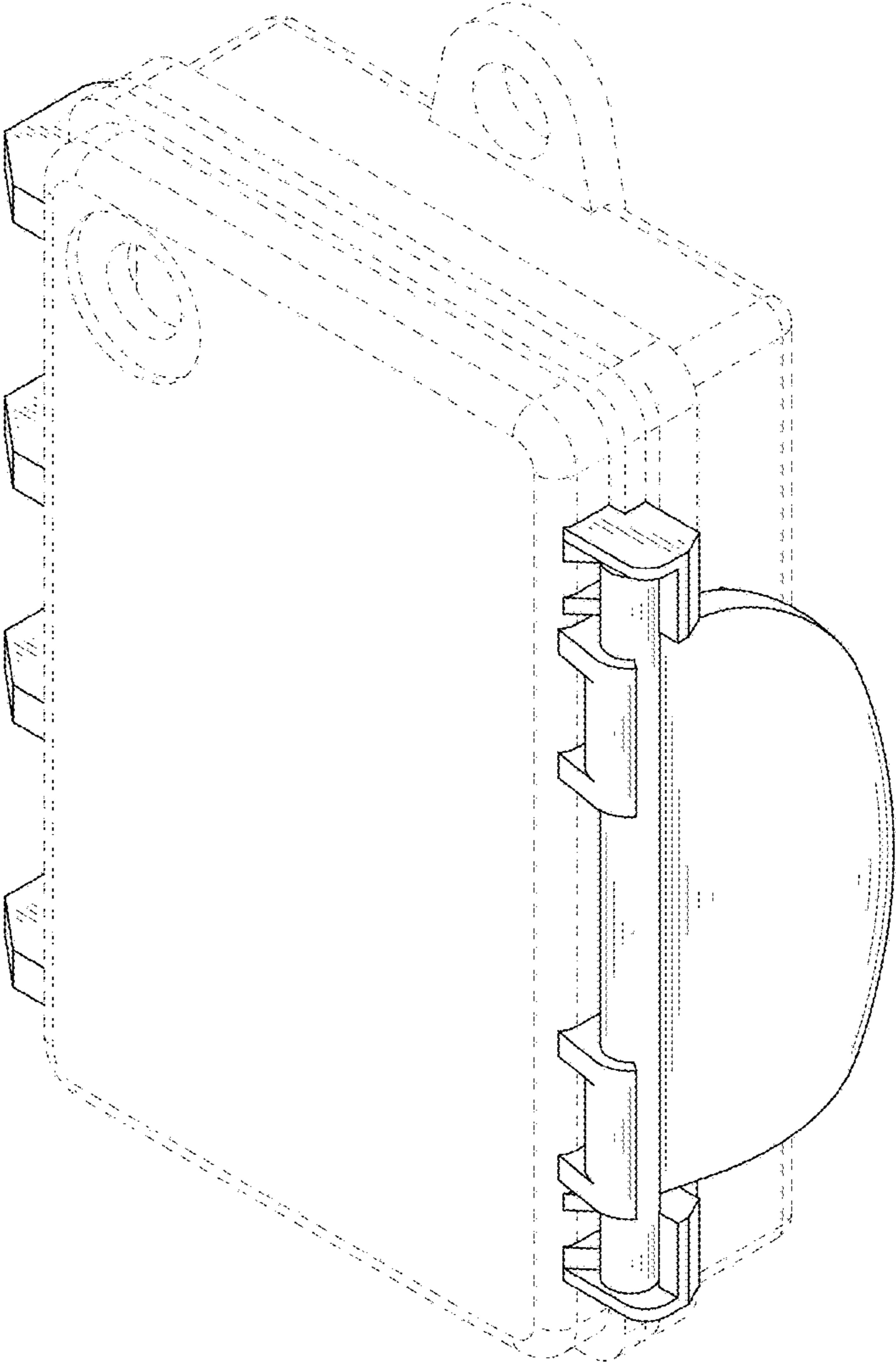


FIG. 1

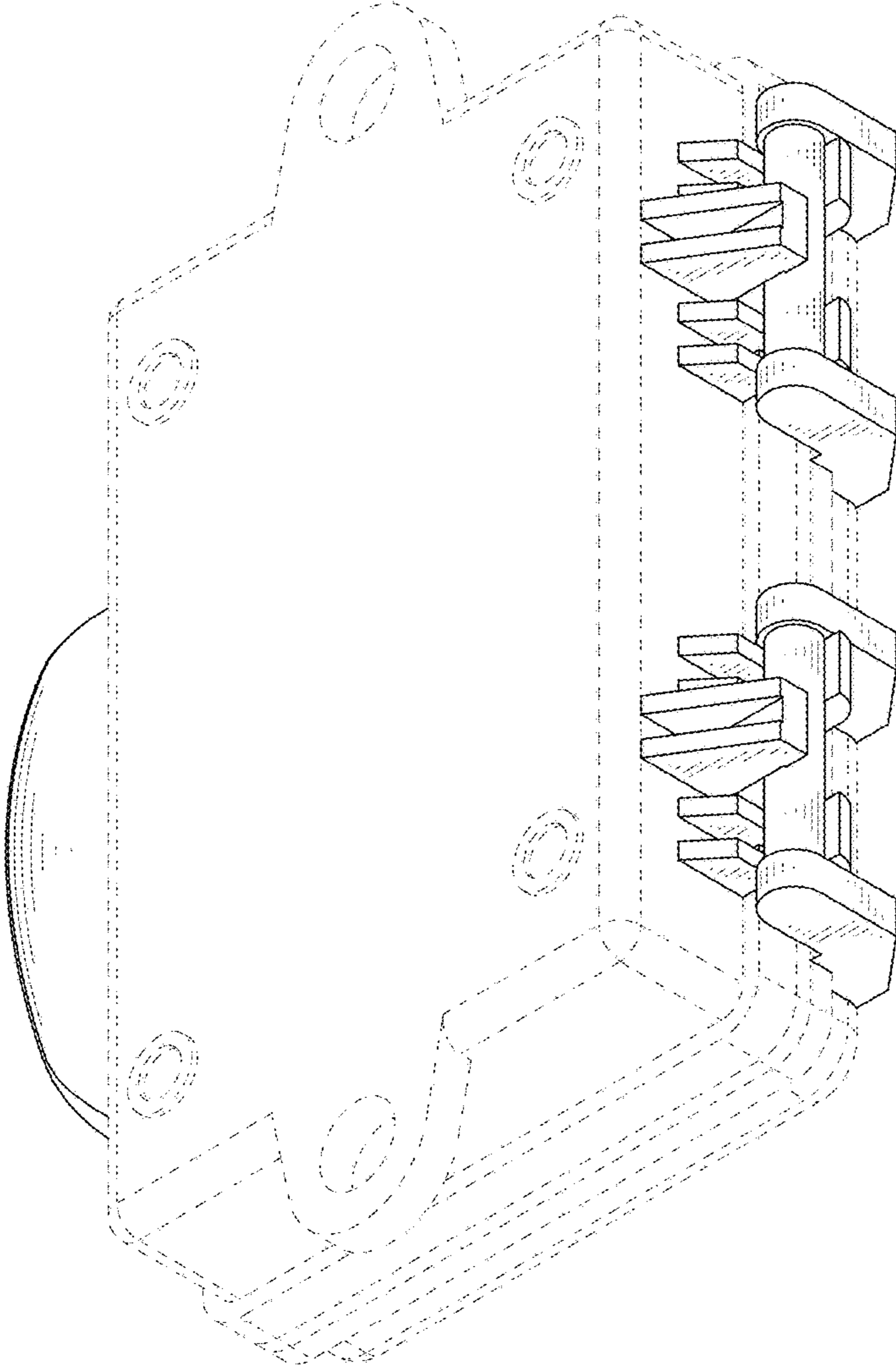


FIG. 2

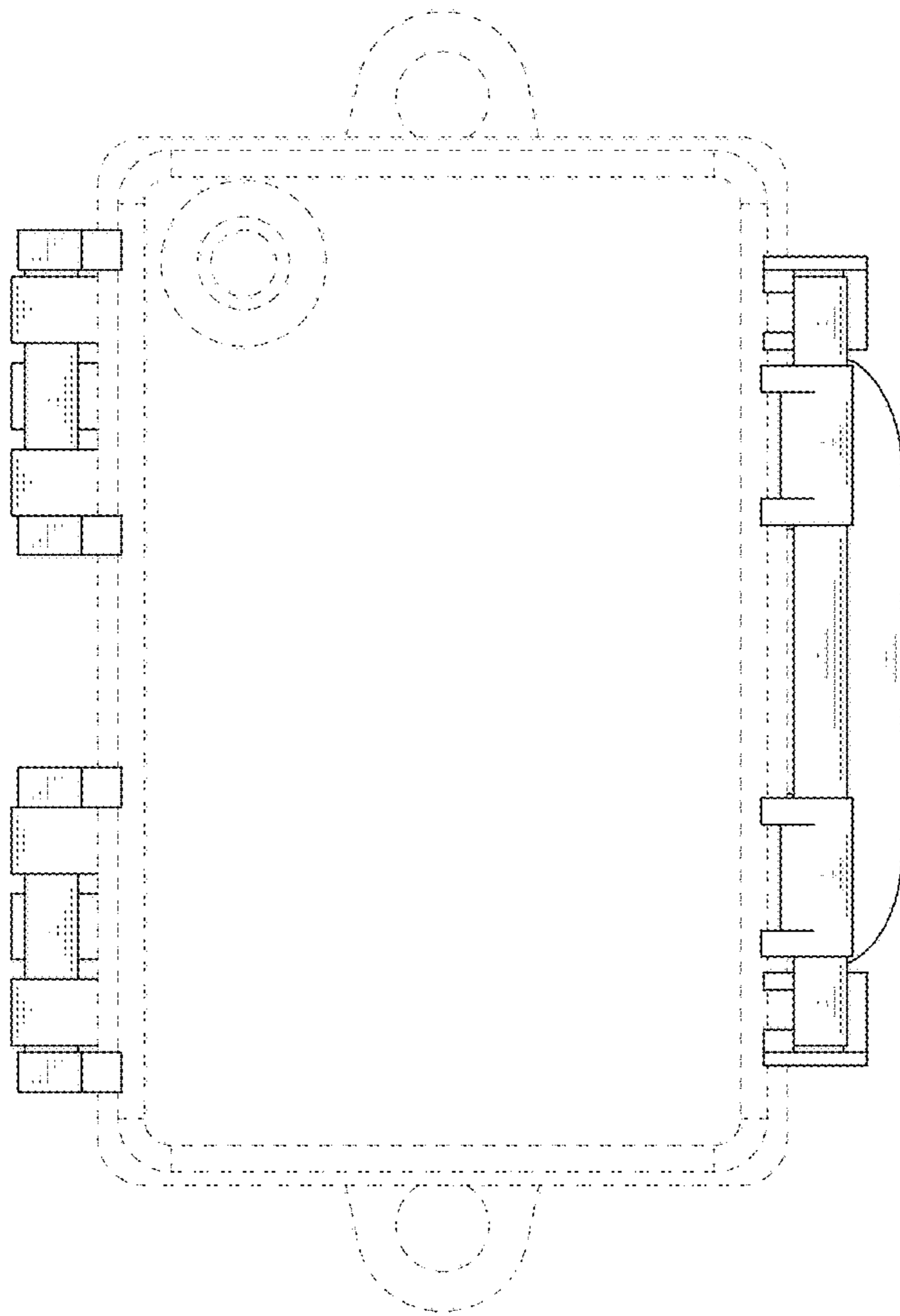


FIG. 3

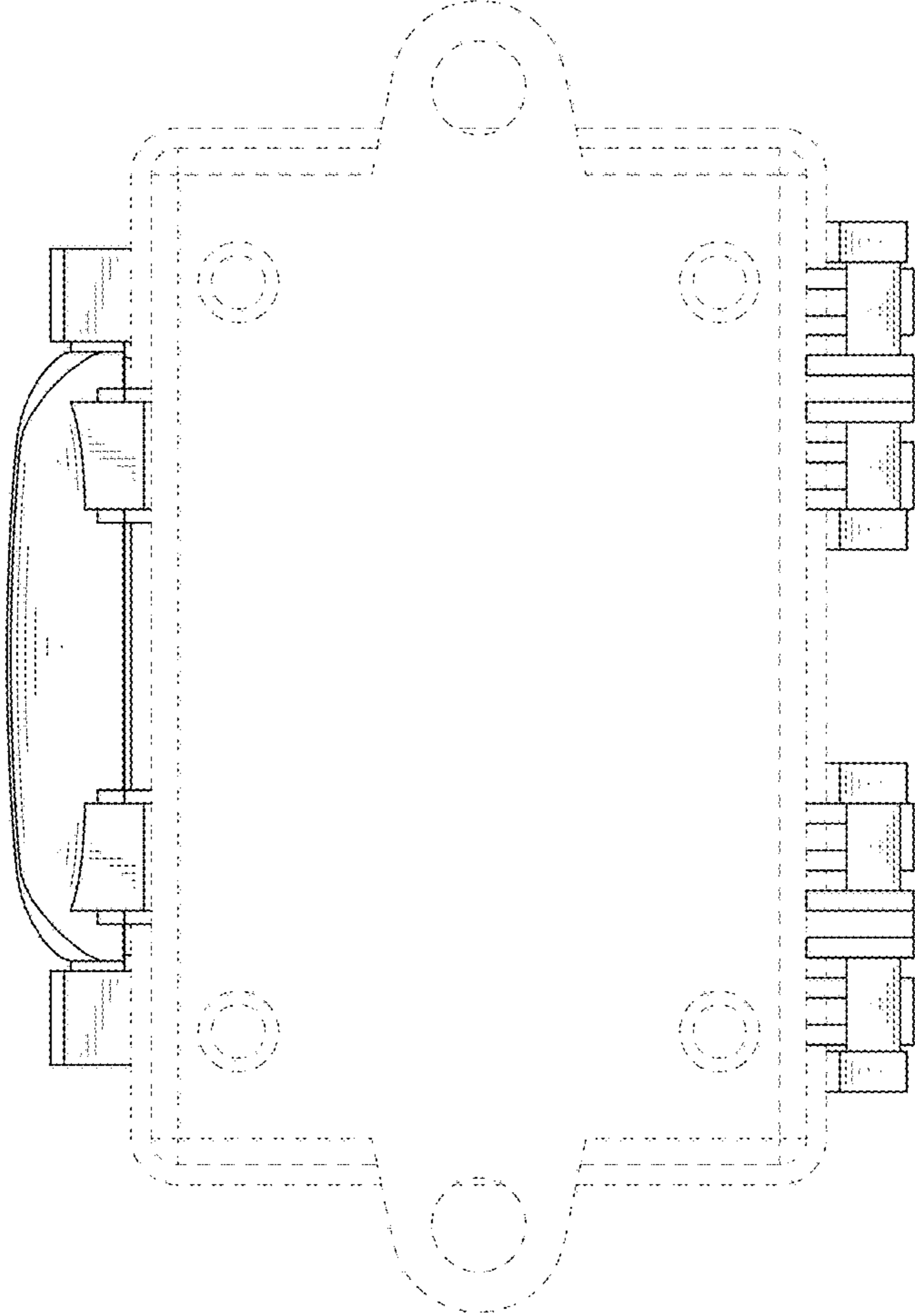


FIG. 4

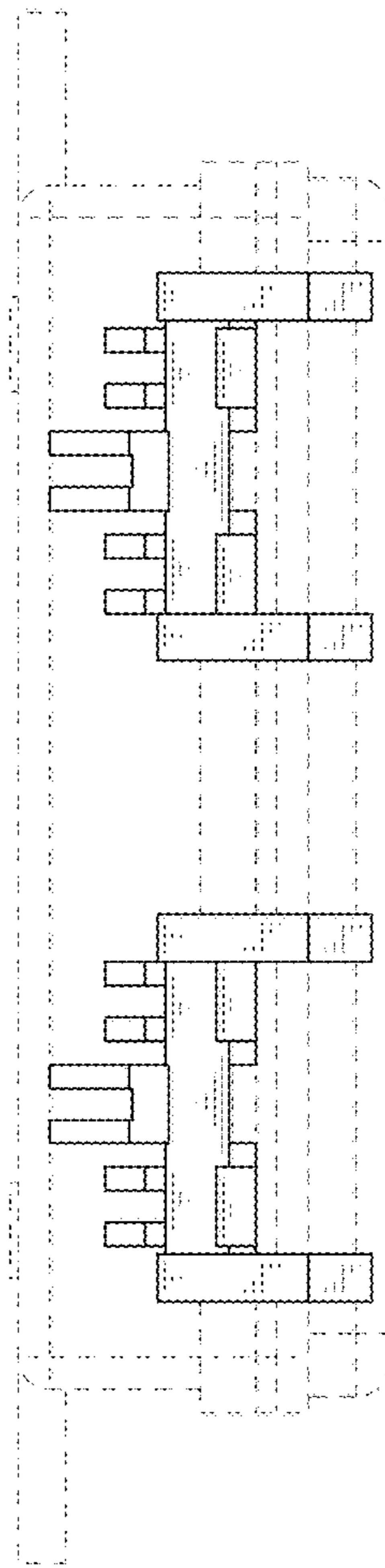


FIG. 5

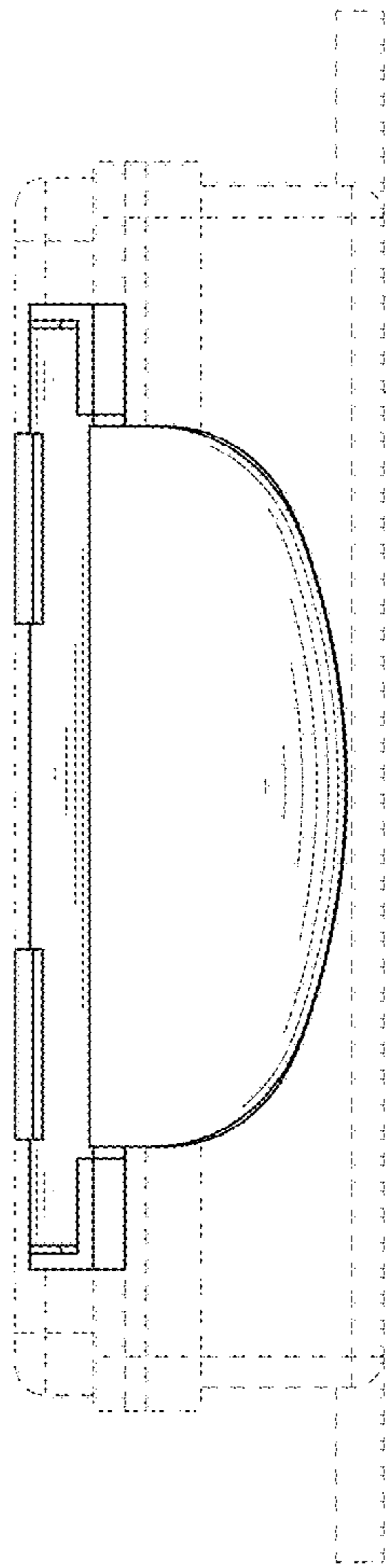


FIG. 6

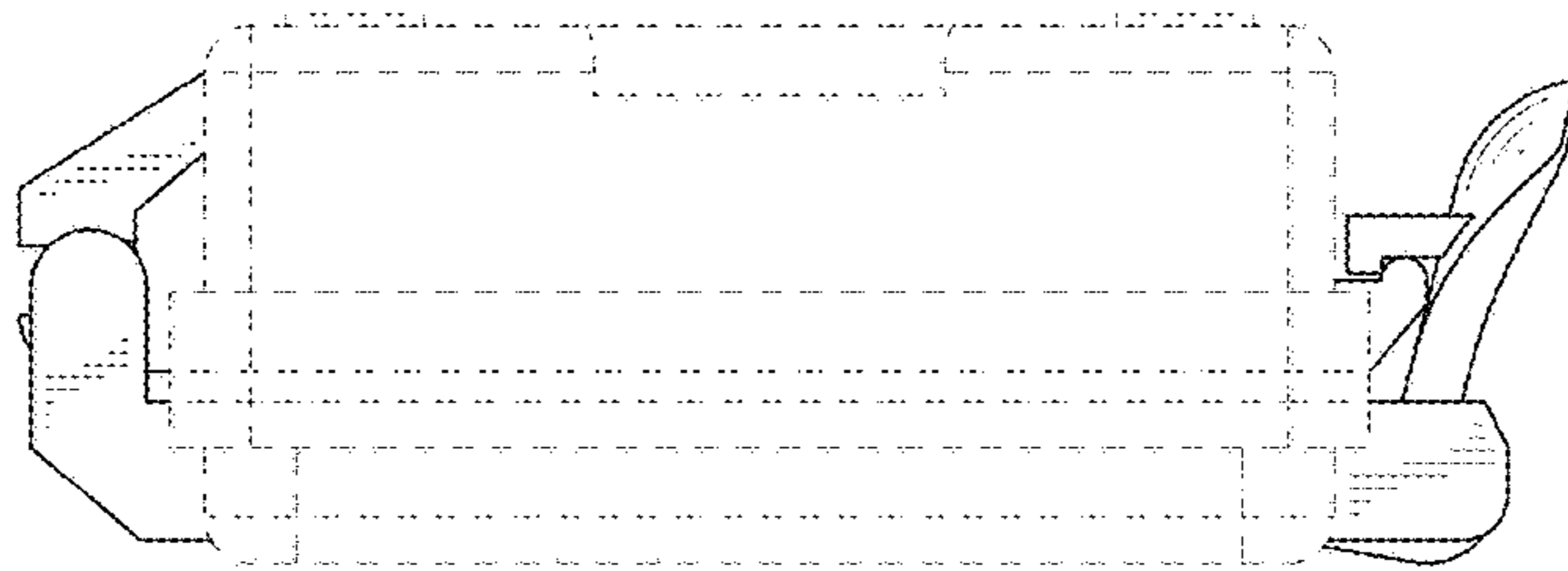


FIG. 7

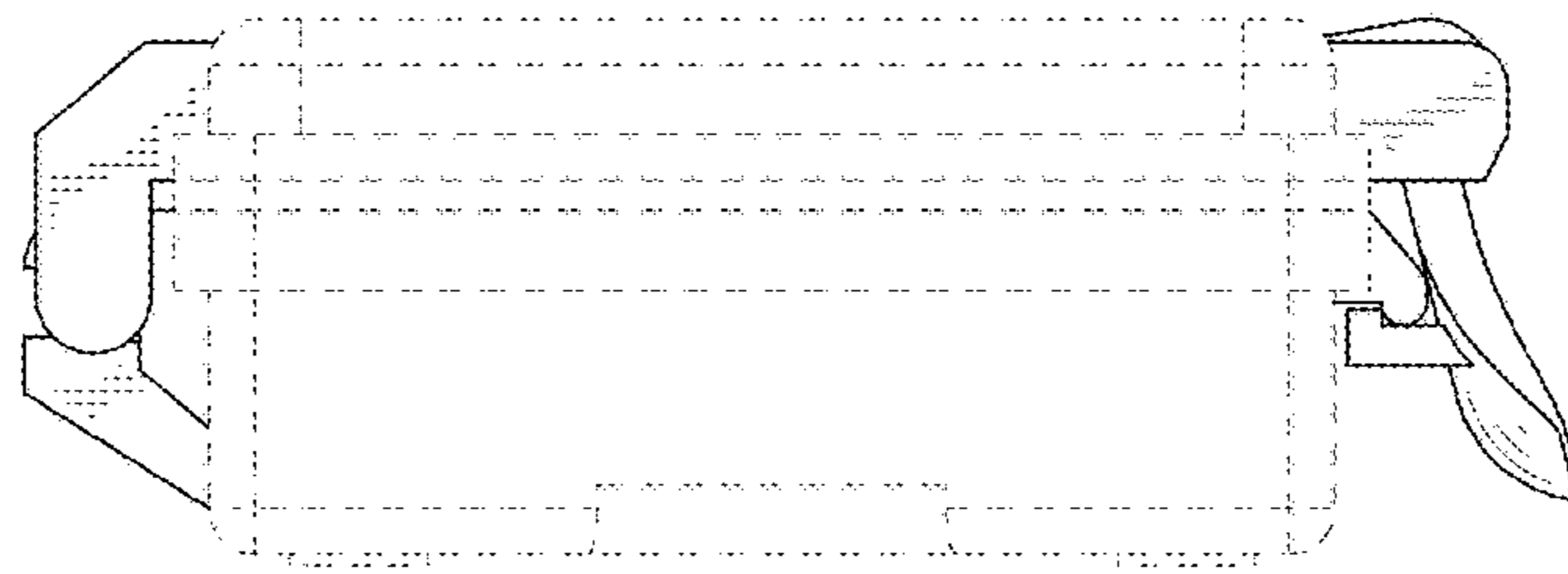


FIG. 8

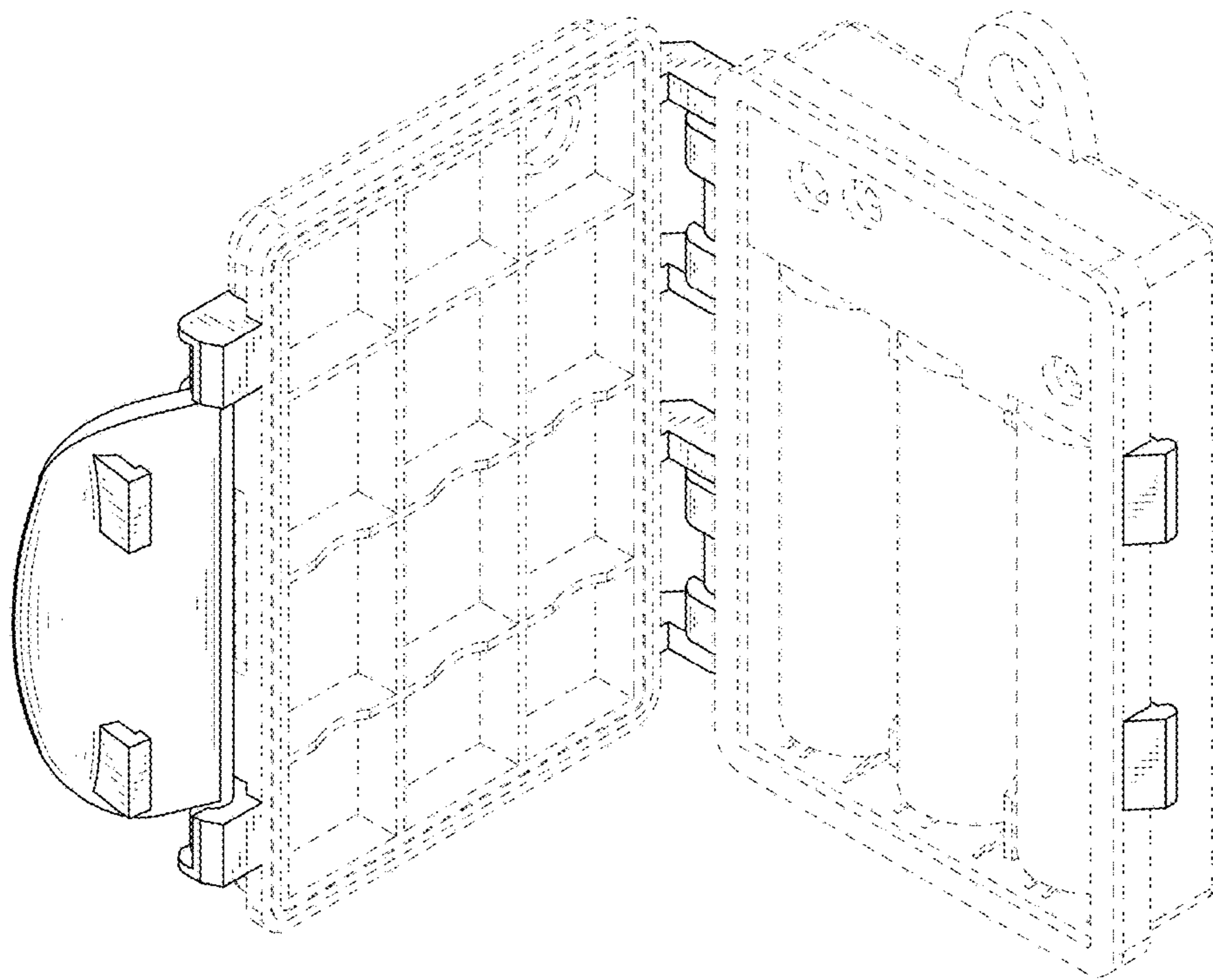


FIG. 9