



US00D861604S

(12) **United States Design Patent**
Mouchet

(10) **Patent No.:** **US D861,604 S**
(45) **Date of Patent:** **** Oct. 1, 2019**

(54) **CURRENT TRANSDUCER**
(71) Applicant: **LEM INTELLECTUAL PROPERTY SA, Fribourg (CH)**
(72) Inventor: **Steve Mouchet, Pringy (FR)**
(**) Term: **15 Years**
(21) Appl. No.: **35/503,703**
(22) Filed: **Mar. 28, 2017**
(80) **Hague Agreement Data**
Int. Filing Date: **Mar. 28, 2017**
Int. Reg. No.: **DM/095488**
Int. Reg. Date: **Mar. 28, 2017**
Int. Reg. Pub. Date: **Sep. 29, 2017**

(51) **LOC (12) Cl.** **13-02**
(52) **U.S. Cl.**
USPC **D13/110**
(58) **Field of Classification Search**
USPC D13/110, 182; D10/78; 84/422.3;
336/178; 307/150, 66; 248/551
CPC H02J 7/0045; G10H 3/146; G01R 1/04;
G01R 15/185; G08B 13/1409
See application file for complete search history.

(56) **References Cited**
U.S. PATENT DOCUMENTS
5,168,171 A * 12/1992 Tracewell H05K 7/20572
307/150
5,677,850 A * 10/1997 Ott G08B 13/1409
248/551
6,072,112 A * 6/2000 Suenaga G10H 3/146
84/422.3

6,222,342 B1 * 4/2001 Eggert H02J 7/0045
307/66
D506,153 S * 6/2005 Morel D10/78
D607,763 S * 1/2010 Morel D10/78
D613,686 S * 4/2010 Mueller D13/110
D684,927 S * 6/2013 Sage D13/110
D685,734 S * 7/2013 Sage D13/110
D686,156 S * 7/2013 Ye D13/110
D688,626 S * 8/2013 Ye D13/110
D742,842 S * 11/2015 Hayashi D13/182
D751,034 S * 3/2016 Ye D13/110
D766,180 S * 9/2016 Morel D13/110
D769,190 S * 10/2016 Sid D13/110
D769,817 S * 10/2016 Sid D13/110
D795,806 S * 8/2017 Delmaere D13/110
D803,154 S * 11/2017 Delmaere D13/110
D812,001 S * 3/2018 Marcoz D13/110
D815,595 S * 4/2018 Claeys D13/110
2008/0094162 A1 * 4/2008 Schaeffer G01R 15/185
336/178
2017/0010310 A1 * 1/2017 Morel G01R 1/04

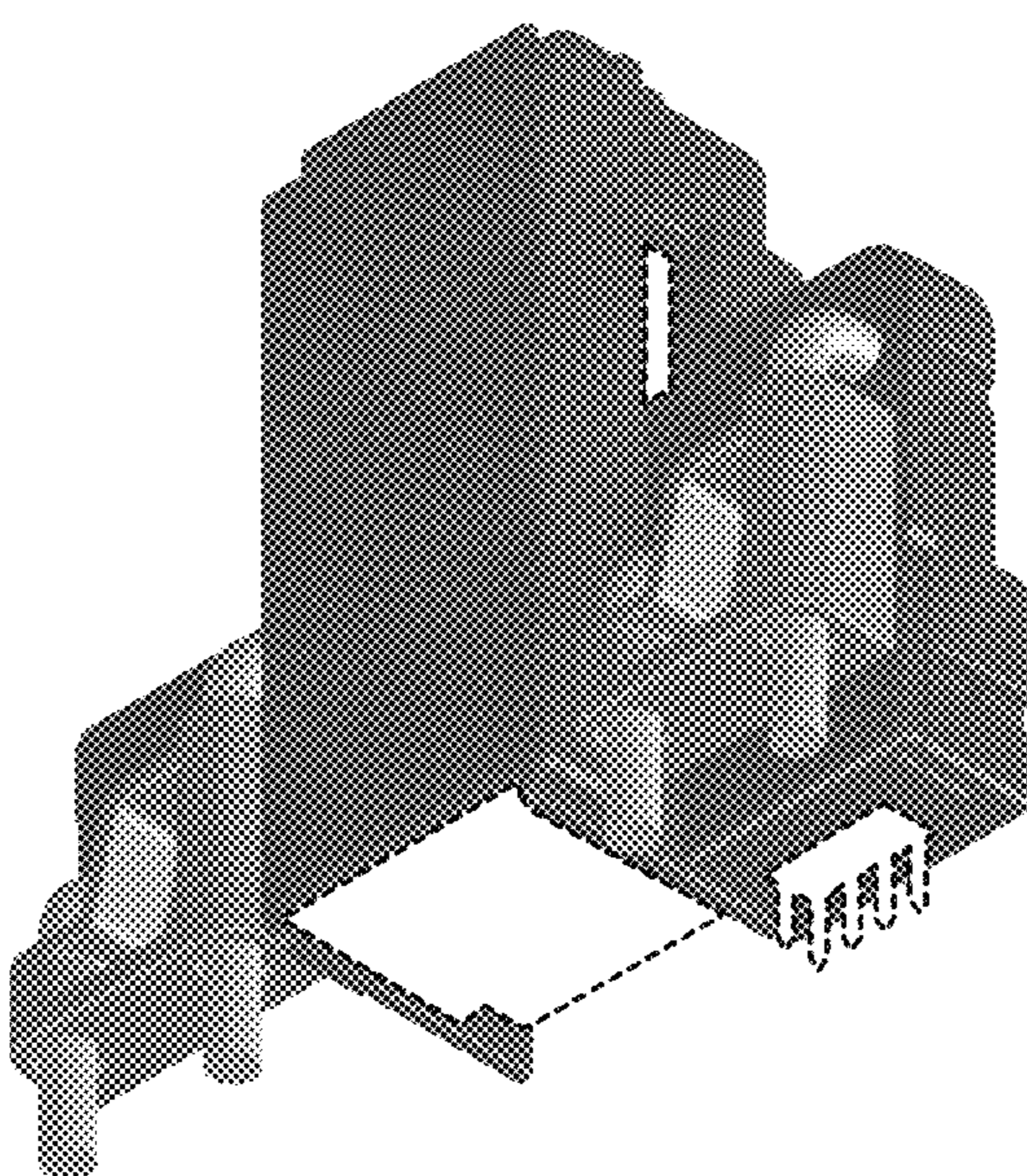
* cited by examiner
Primary Examiner — Rhea Shields

(57) **CLAIM**
The ornamental design for a current transducer, as shown and described.

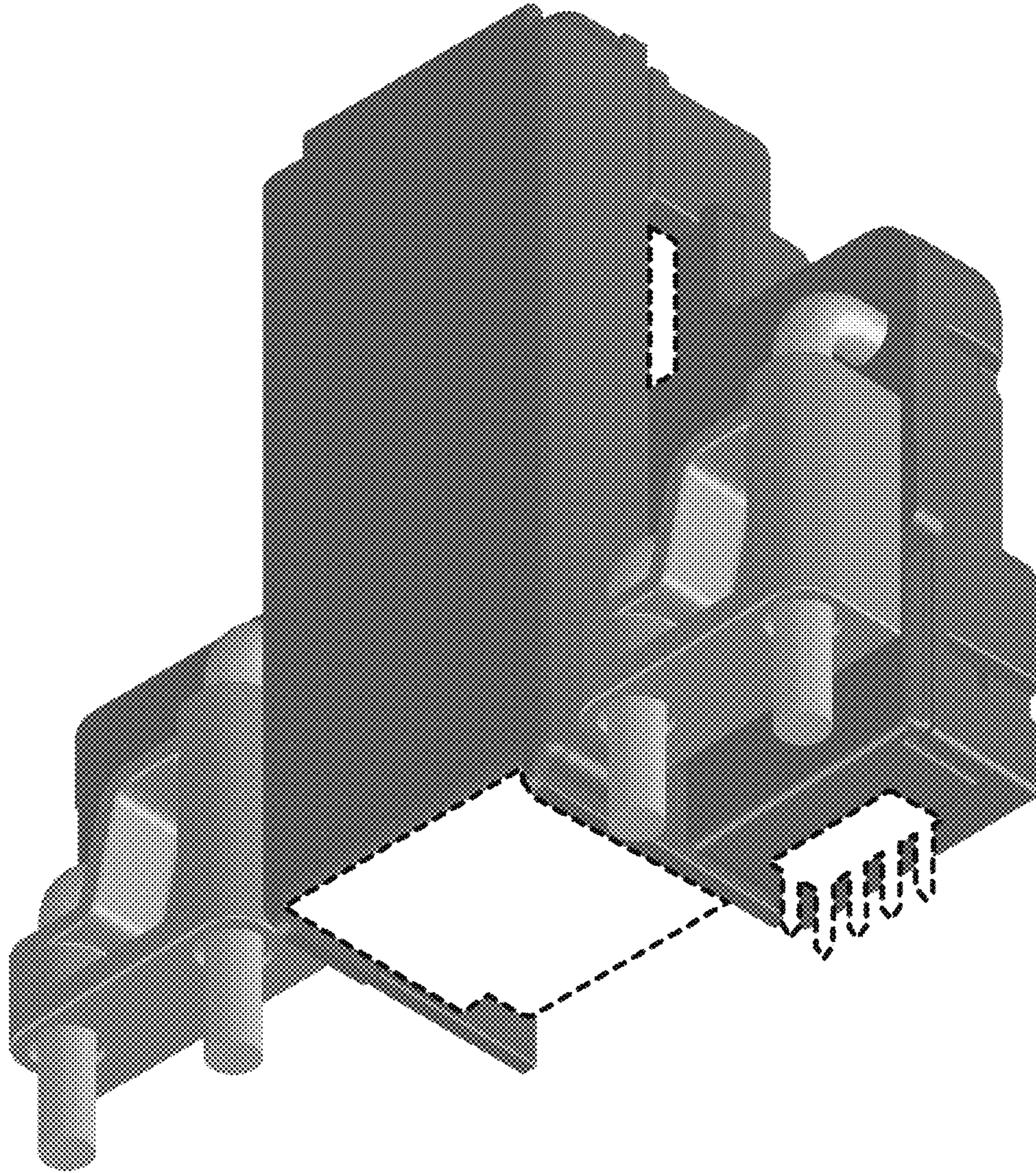
DESCRIPTION

- 1.1 is a perspective view;
- 1.2 is a perspective view;
- 1.3 is a front view;
- 1.4 is a back view;
- 1.5 is a top view;
- 1.6 is a bottom view;
- 1.7 is a left view; and
- 1.8 is a right view.

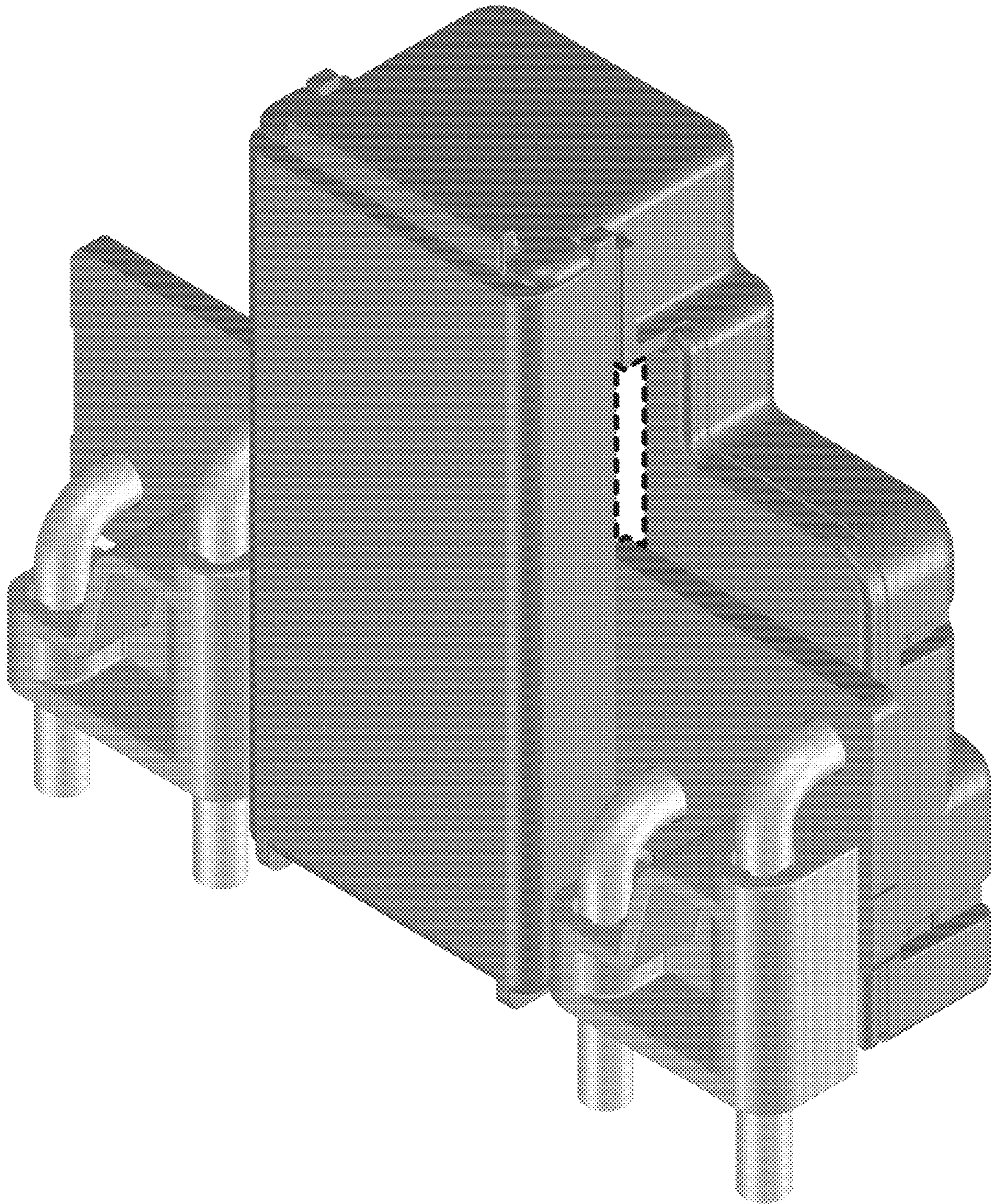
1 Claim, 8 Drawing Sheets



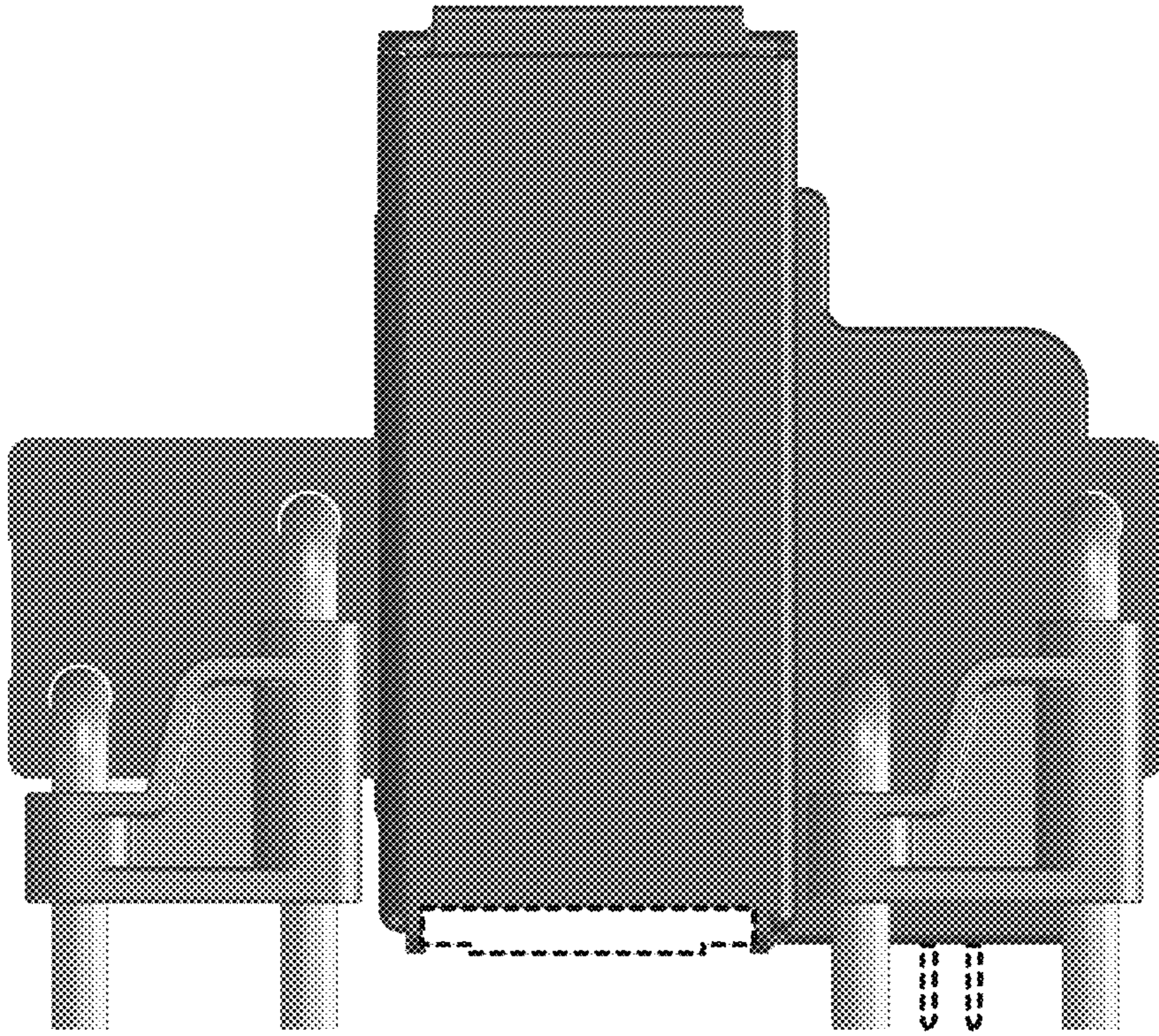
1.1



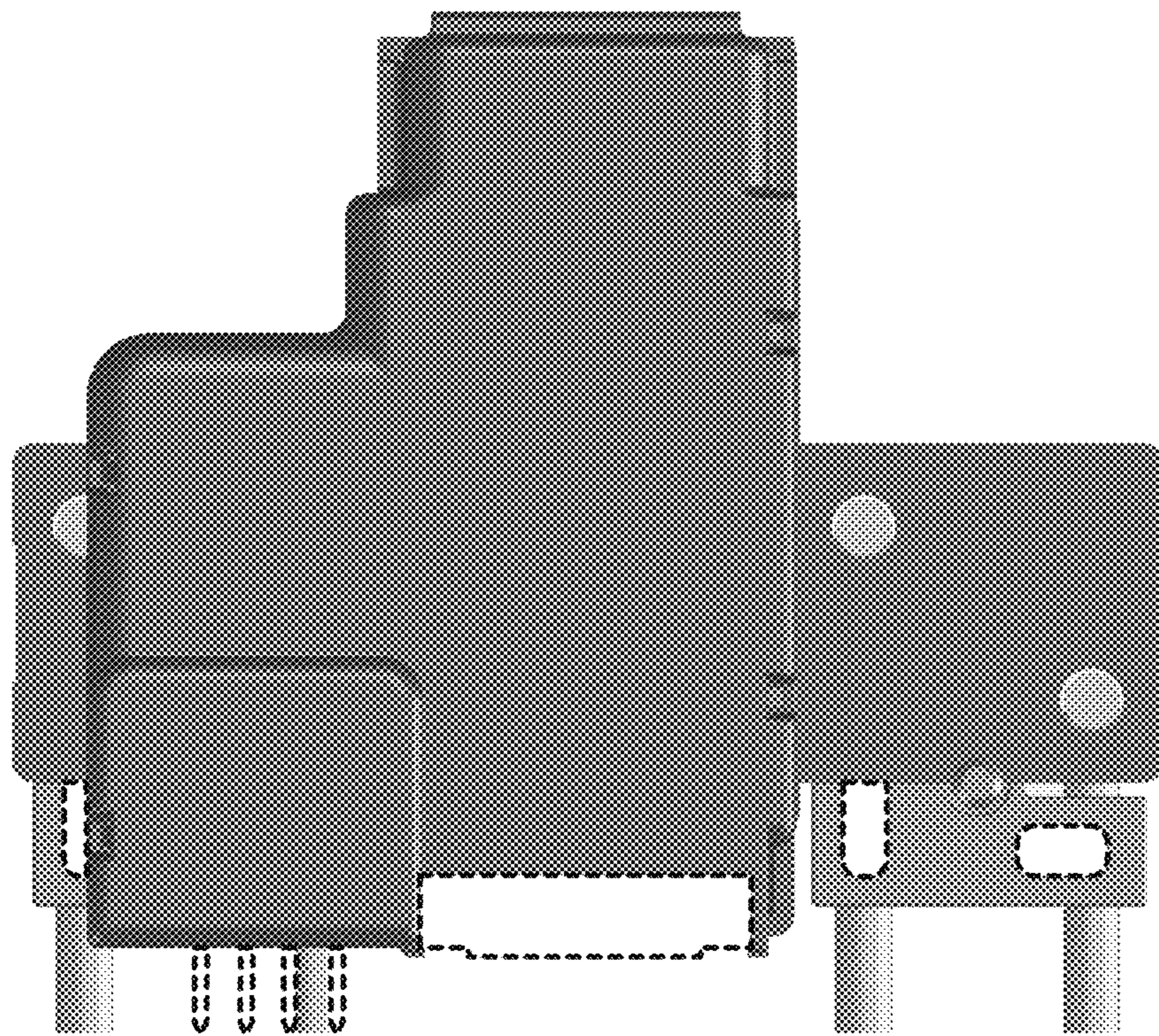
1.2



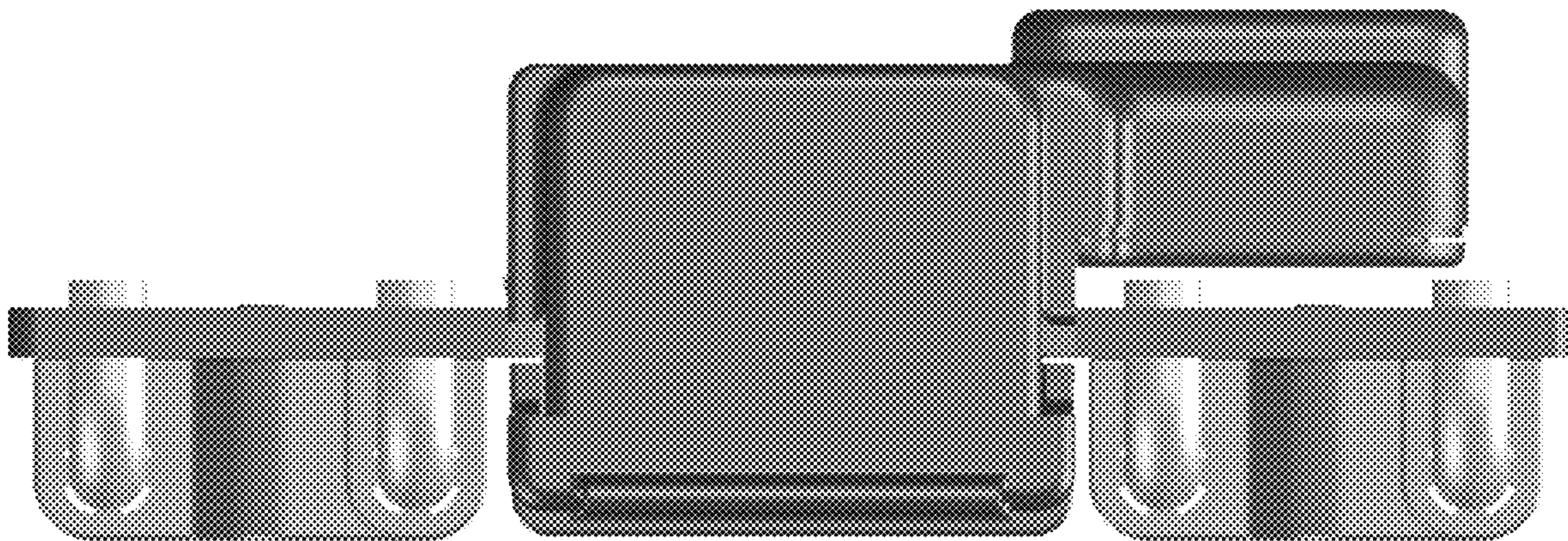
1.3



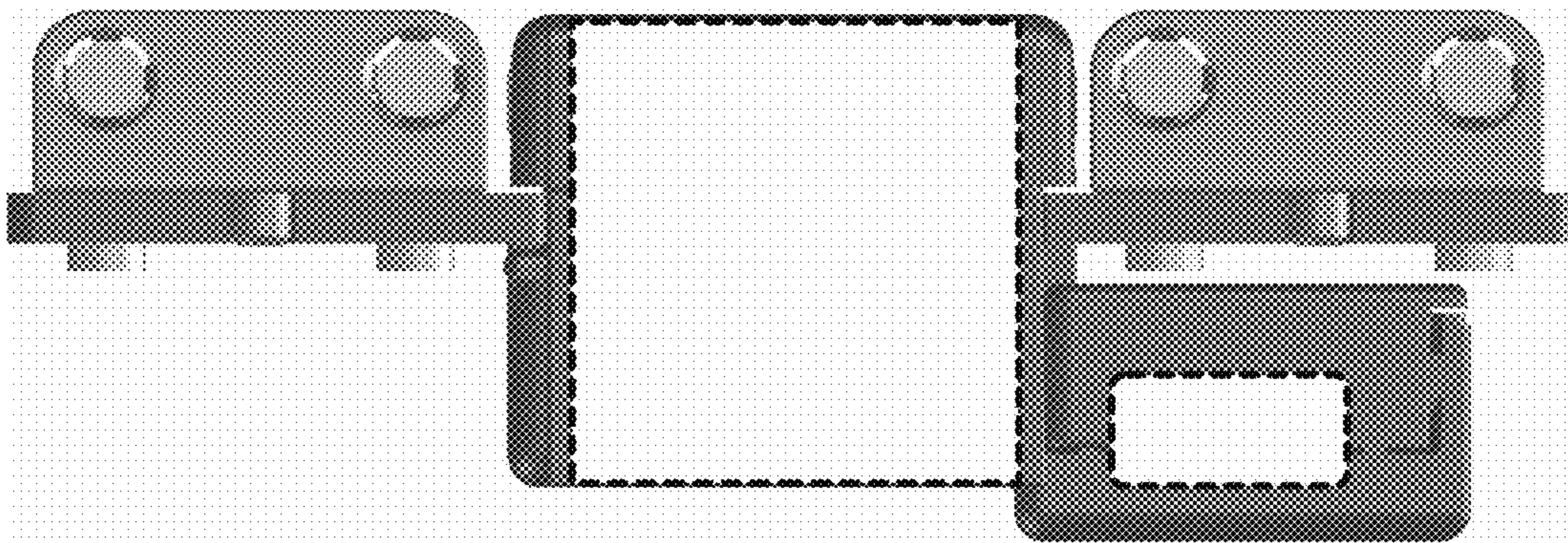
1.4



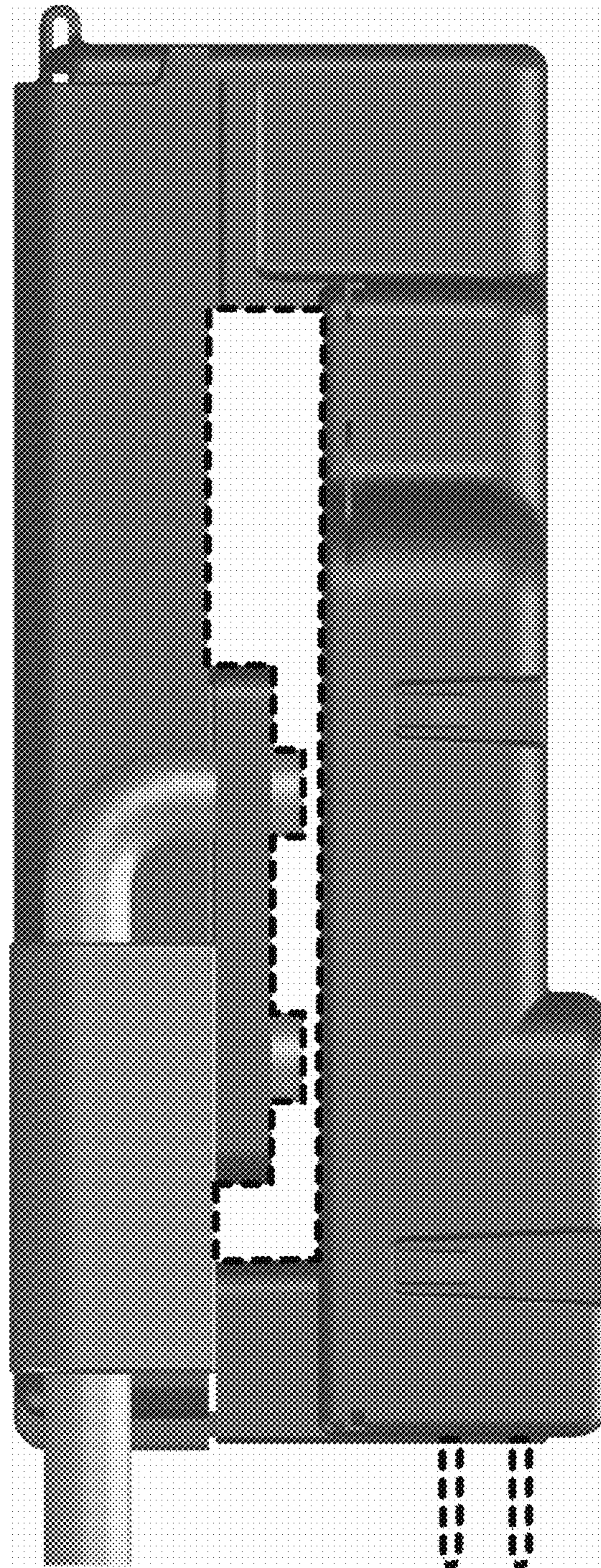
1.5



1.6



1.7



1.8

