

US00D861600S

(12) **United States Design Patent** (10) **Patent No.:** **US D861,600 S**
Choi et al. (45) **Date of Patent:** **** Oct. 1, 2019**

(54) **WIRELESS CHARGER**

D736,210 S * 8/2015 Paradise D14/434
D789,295 S * 6/2017 Nuk D13/108
D797,042 S * 9/2017 Miller D13/107

(71) Applicant: **Samsung Electronics Co., Ltd.**,
Suwon-si (KR)

(Continued)

(72) Inventors: **Eunha Choi**, Seoul (KR); **Jonghyuk Bae**, Seoul (KR); **Minki Ham**, Seoul (KR); **Namkyu Kim**, Seoul (KR)

FOREIGN PATENT DOCUMENTS

CN 304313873 * 10/2017
CN 304407353 * 12/2017

(73) Assignee: **SAMSUNG ELECTRONICS CO., LTD.**, Suwon-si (KR)

OTHER PUBLICATIONS

(**) Term: **15 Years**

Devin Balentina, Samsung Wireless Adaptive Fast CHargin Stand EP-NG930 Review, Dec. 6, 2016, GadgetNutz, <http://www.gadgetnutz.com/2016/12/06/the-samsung-wireless-adaptive-fast-charging-stand-ep-ng930-review/> (Year: 2016).*

(21) Appl. No.: **29/640,606**

(Continued)

(22) Filed: **Mar. 15, 2018**

Primary Examiner — Brett Miller

(30) **Foreign Application Priority Data**

(74) *Attorney, Agent, or Firm* — McAndrews Held & Malloy, Ltd.

Dec. 21, 2017 (KR) 30-2017-0060832

(51) **LOC (12) Cl.** **13-02**

(57) **CLAIM**

(52) **U.S. Cl.**
USPC **D13/108**; D14/253

The ornamental design for a wireless charger, as shown and described.

(58) **Field of Classification Search**
USPC D13/107–108, 103, 105, 110, 119, 137.2;
D14/434, 447, 253, 224, 217, 238.1, 251,
D14/240, 149, 358, 348, 356
CPC H02J 7/0042; H02J 7/044; H02J 7/045;
H02J 2007/0062; H02J 7/0054; H02J
7/0055; B60R 11/0241
See application file for complete search history.

DESCRIPTION

(56) **References Cited**

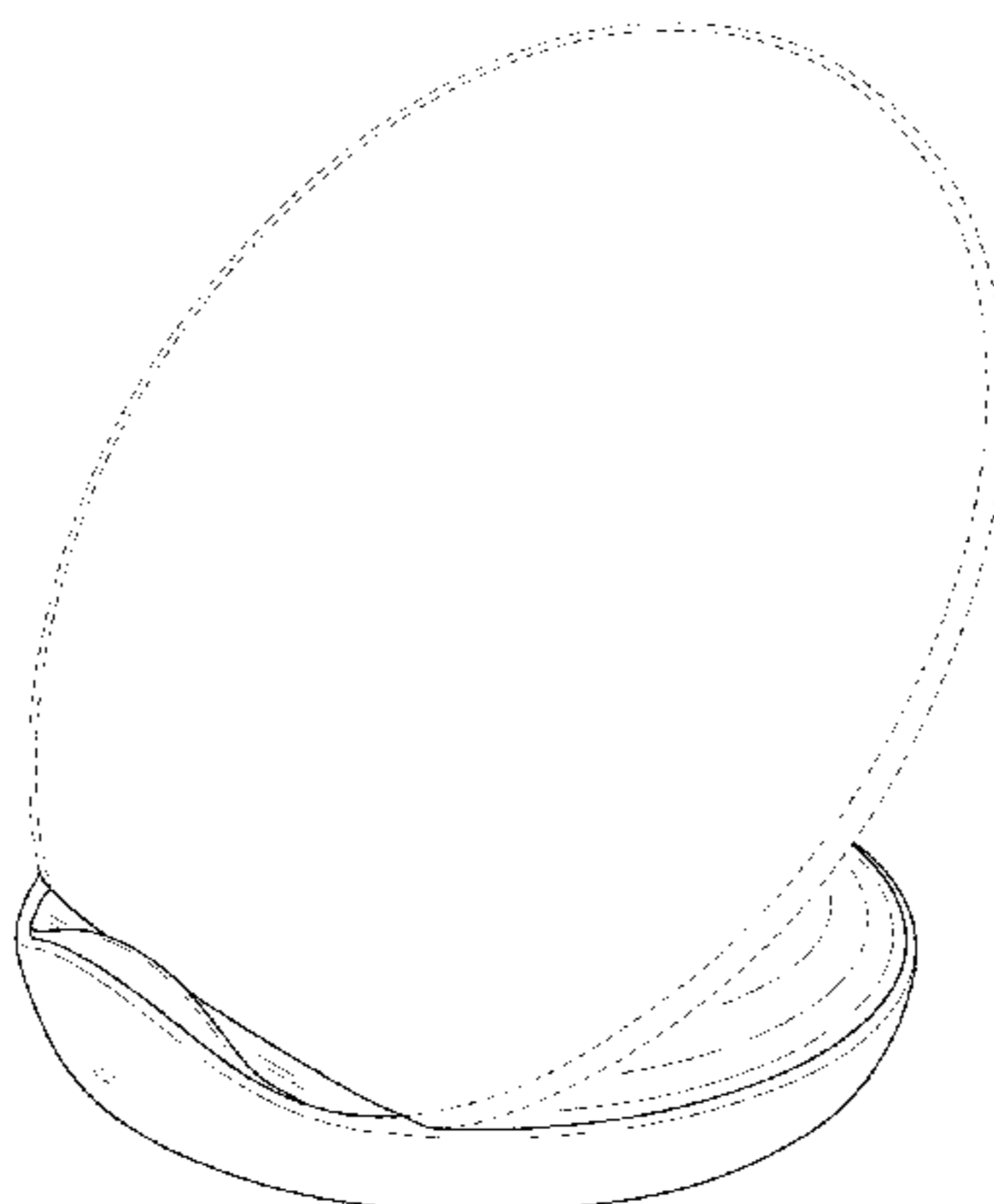
FIG. 1 is a front perspective view of a wireless charger showing our new design;
FIG. 2 is a front elevation view thereof;
FIG. 3 is a rear elevation view thereof;
FIG. 4 is a left side elevation view thereof;
FIG. 5 is a right side elevation view thereof;
FIG. 6 is a top plan view thereof;
FIG. 7 is a bottom plan view thereof;
FIG. 8 is a rear perspective view thereof; and,
FIG. 9 is a cross-sectional view taken through line 9-9 of FIG. 2.

U.S. PATENT DOCUMENTS

D594,404 S * 6/2009 Kuo D13/107
D628,153 S * 11/2010 Fujii D13/108
D628,203 S * 11/2010 Noble D14/447
D654,921 S * 2/2012 Malsan D14/447
D659,696 S * 5/2012 Lanza D14/447
D662,939 S * 7/2012 Akana D14/447
D666,204 S * 8/2012 Han D14/447

The dashed broken lines in the drawings illustrate portions of the wireless charger that form no part of the claimed design.

1 Claim, 9 Drawing Sheets



(56)

References Cited

U.S. PATENT DOCUMENTS

D797,667 S * 9/2017 Park D13/108
D797,668 S * 9/2017 Park D13/108
D841,577 S * 2/2019 Kim D13/108
D841,578 S * 2/2019 Kim D13/108
D845,306 S * 4/2019 Lee D14/447
D851,036 S * 6/2019 Saangloef D13/108
D851,587 S * 6/2019 Schmidt D13/108
2009/0102419 A1 * 4/2009 Gwon H02J 7/025
320/108
2015/0188339 A1 * 7/2015 Green H02J 7/0042
320/108

OTHER PUBLICATIONS

Andrew Martonik, Samsung Fast Charge Wireless Charging Stand review, May 4, 2016, androidcentral, <https://www.androidcentral.com/samsung-fast-charge-wireless-charging-stand-review> (Year: 2016).*

* cited by examiner

FIG. 1

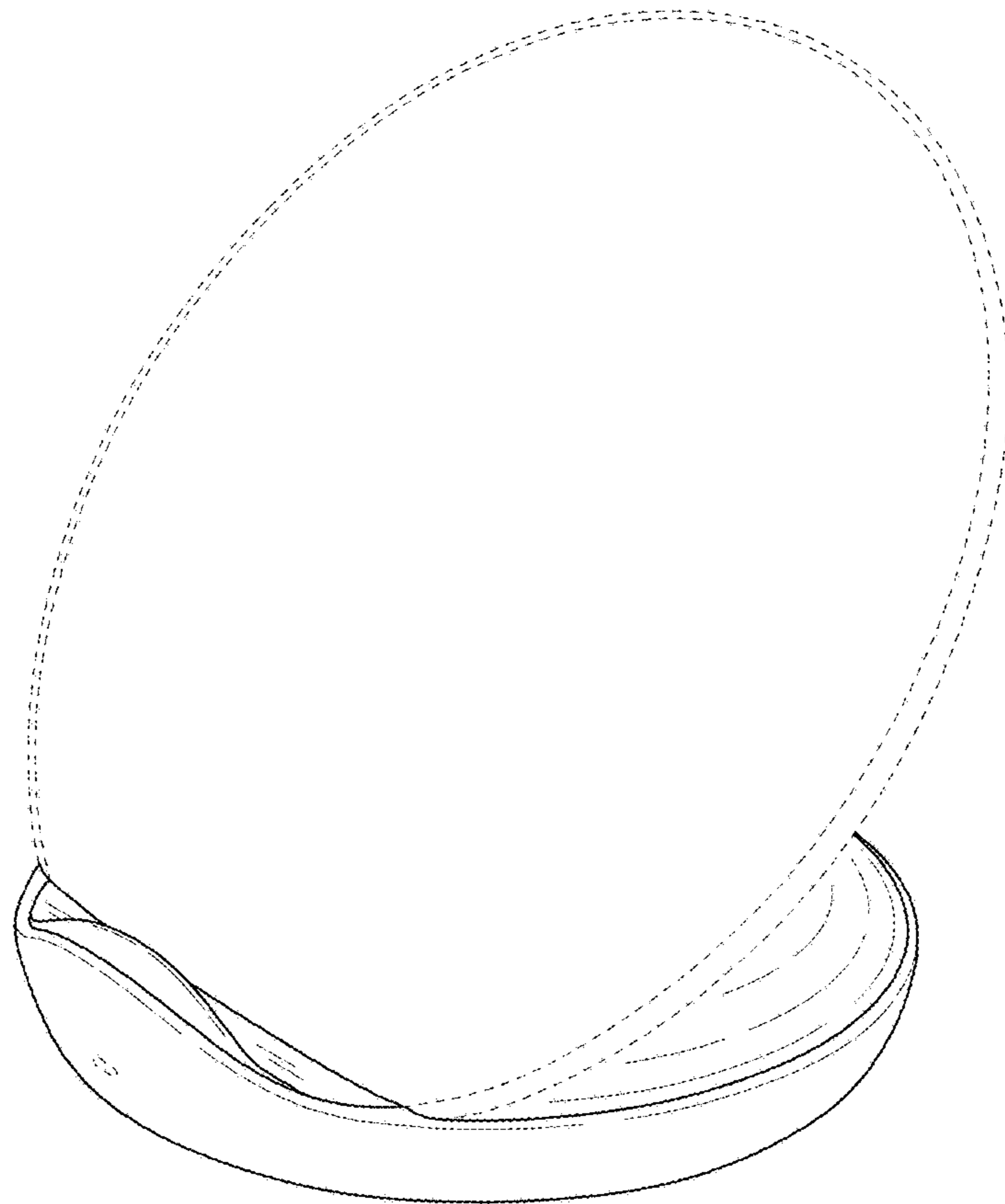


FIG.2

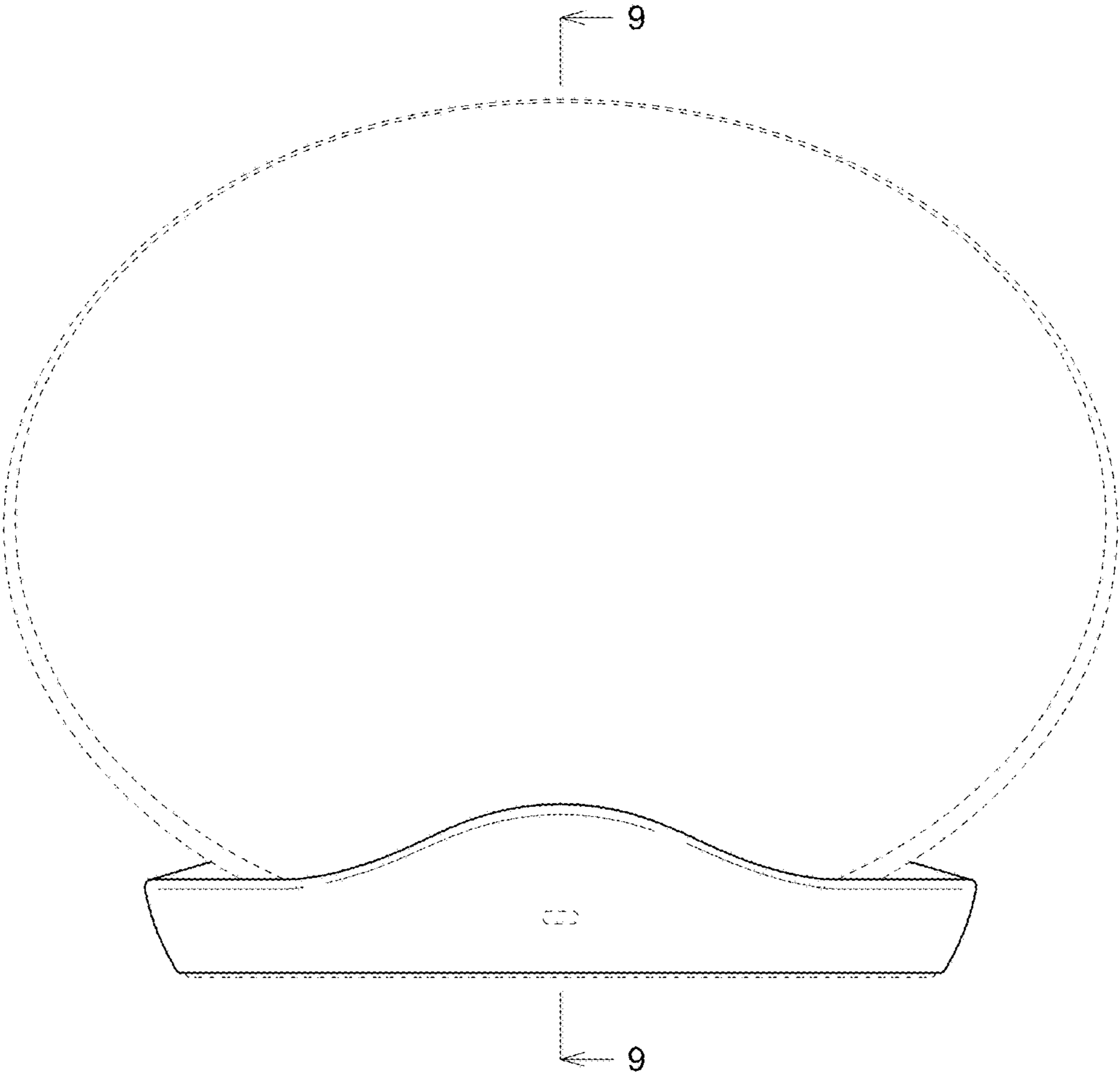


FIG.3

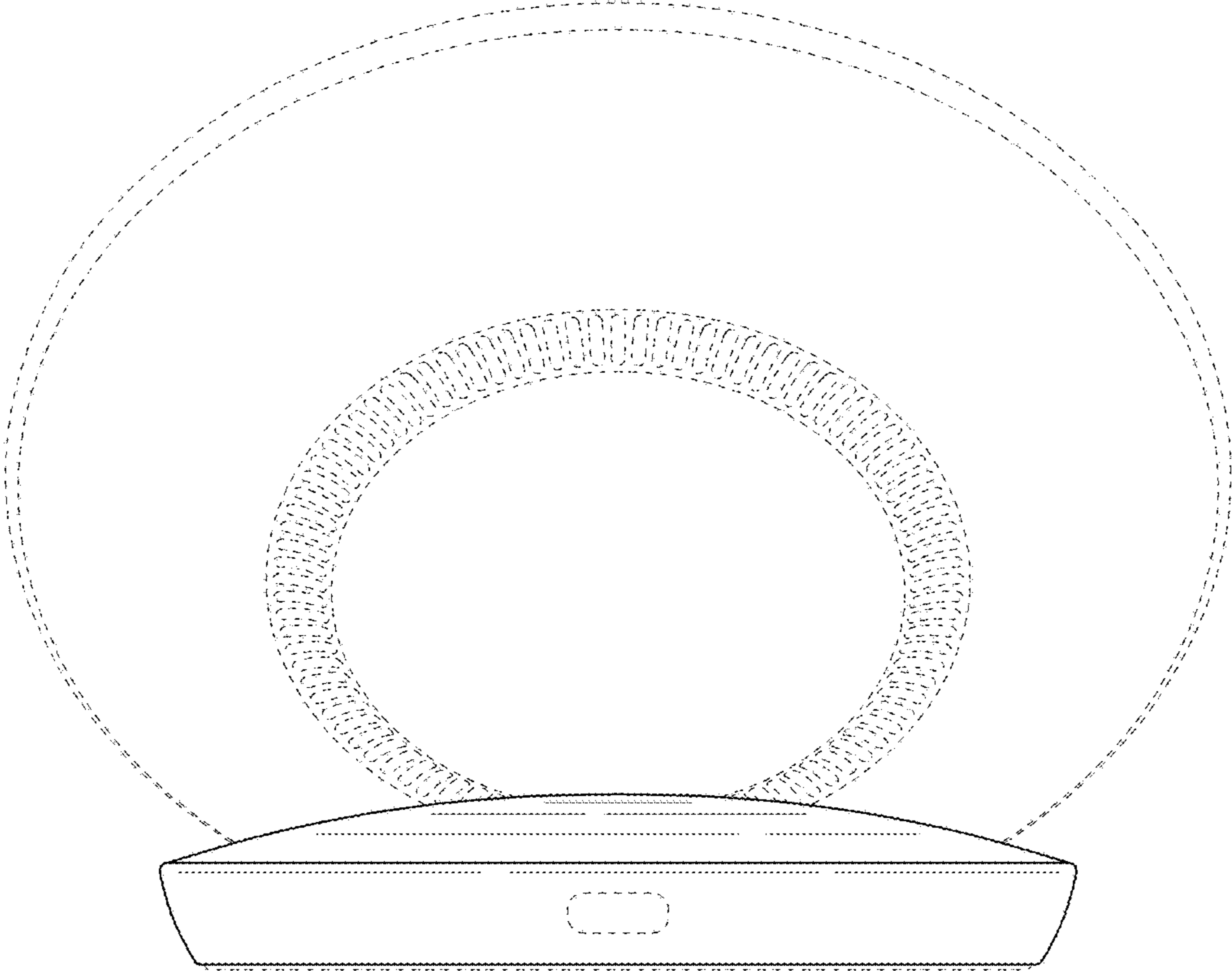


FIG.4

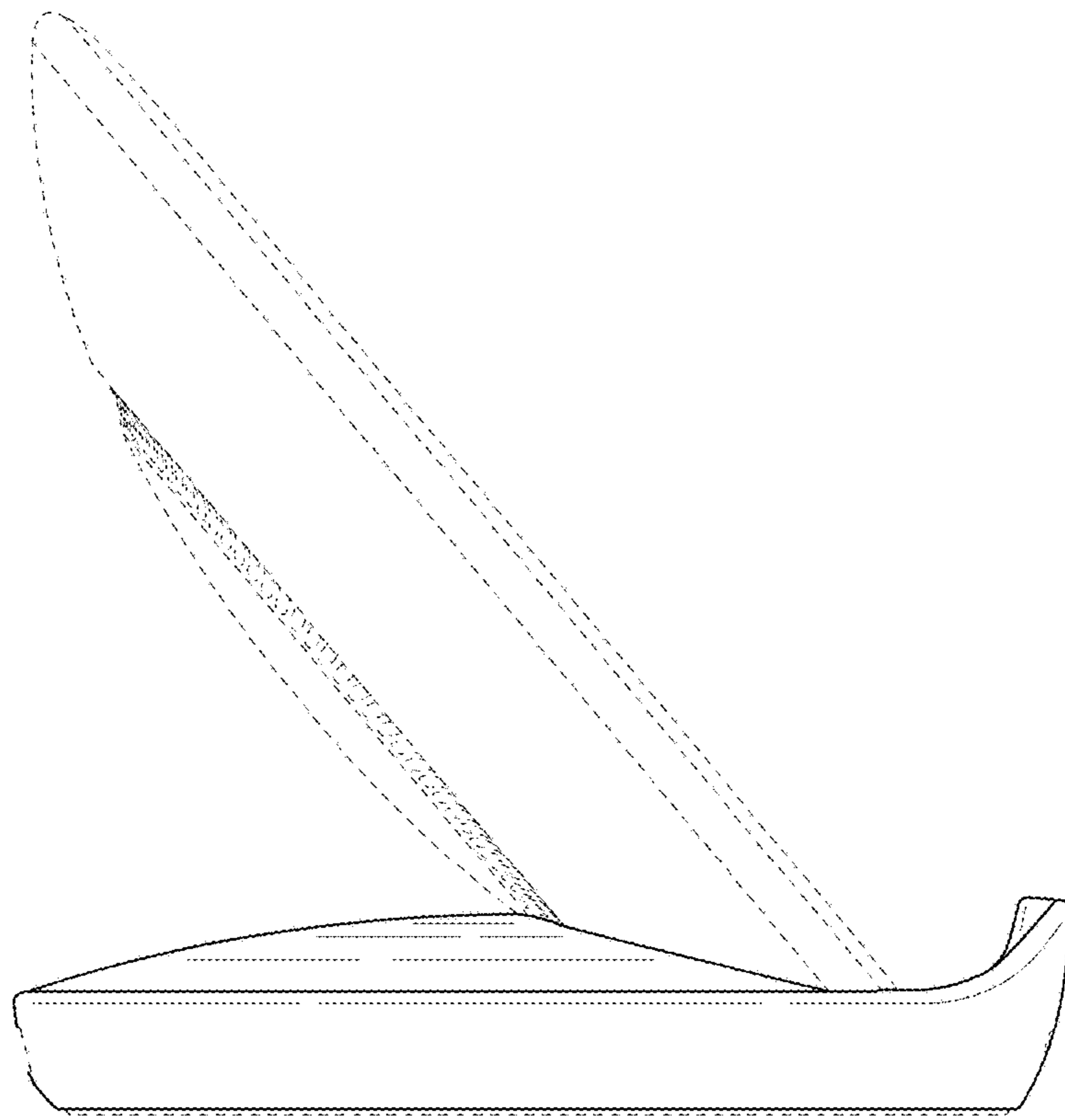


FIG.5

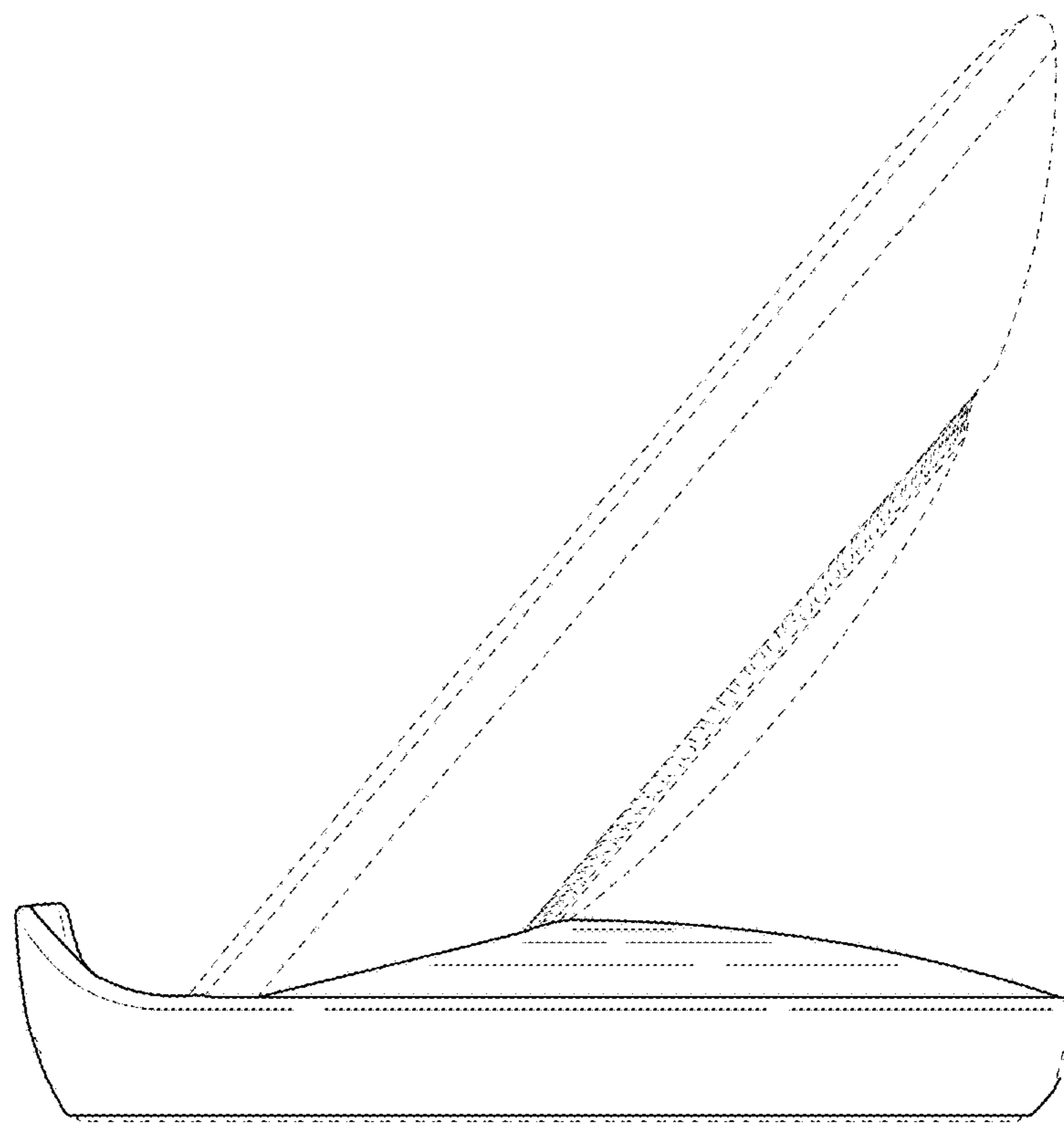


FIG.6

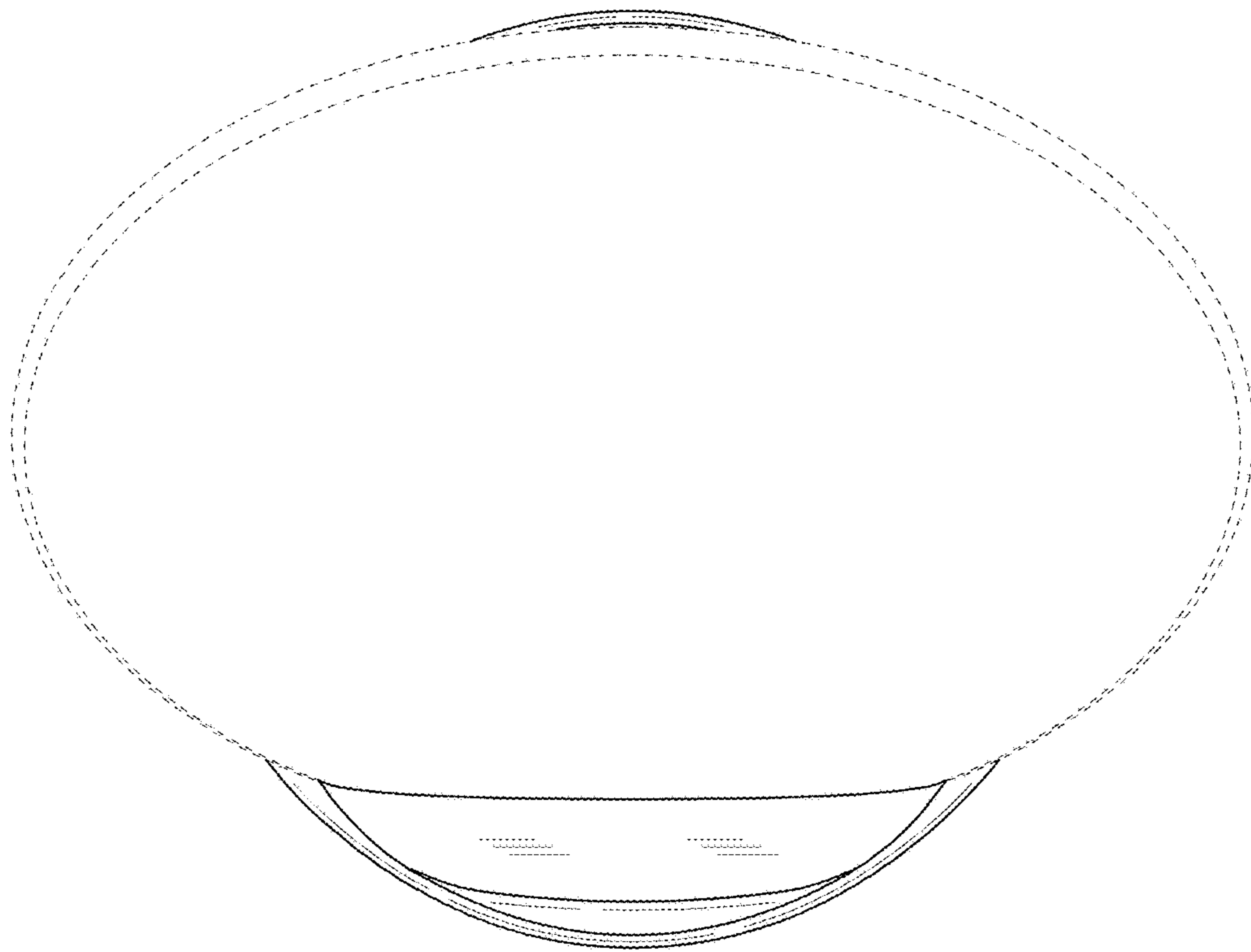


FIG. 7

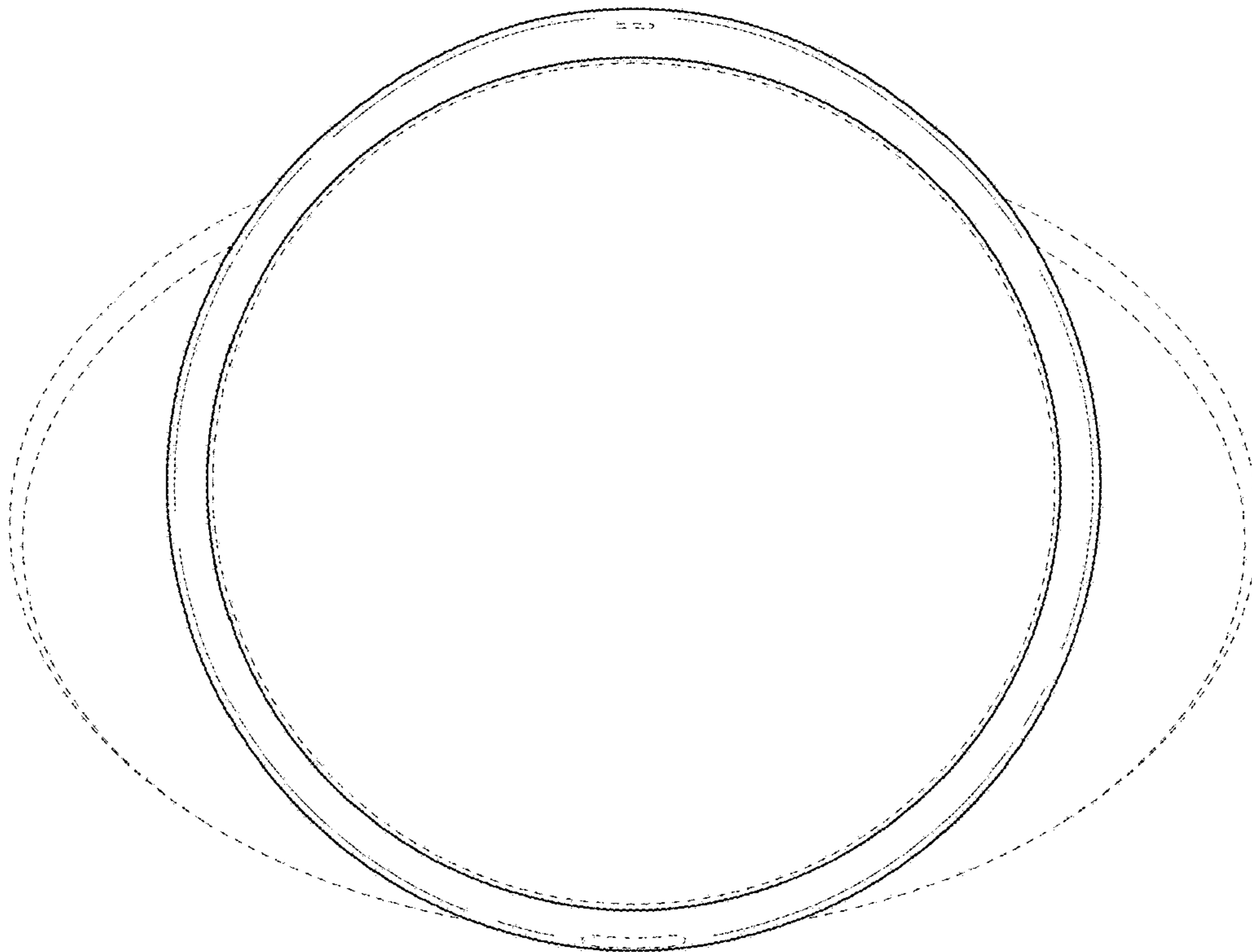


FIG.8

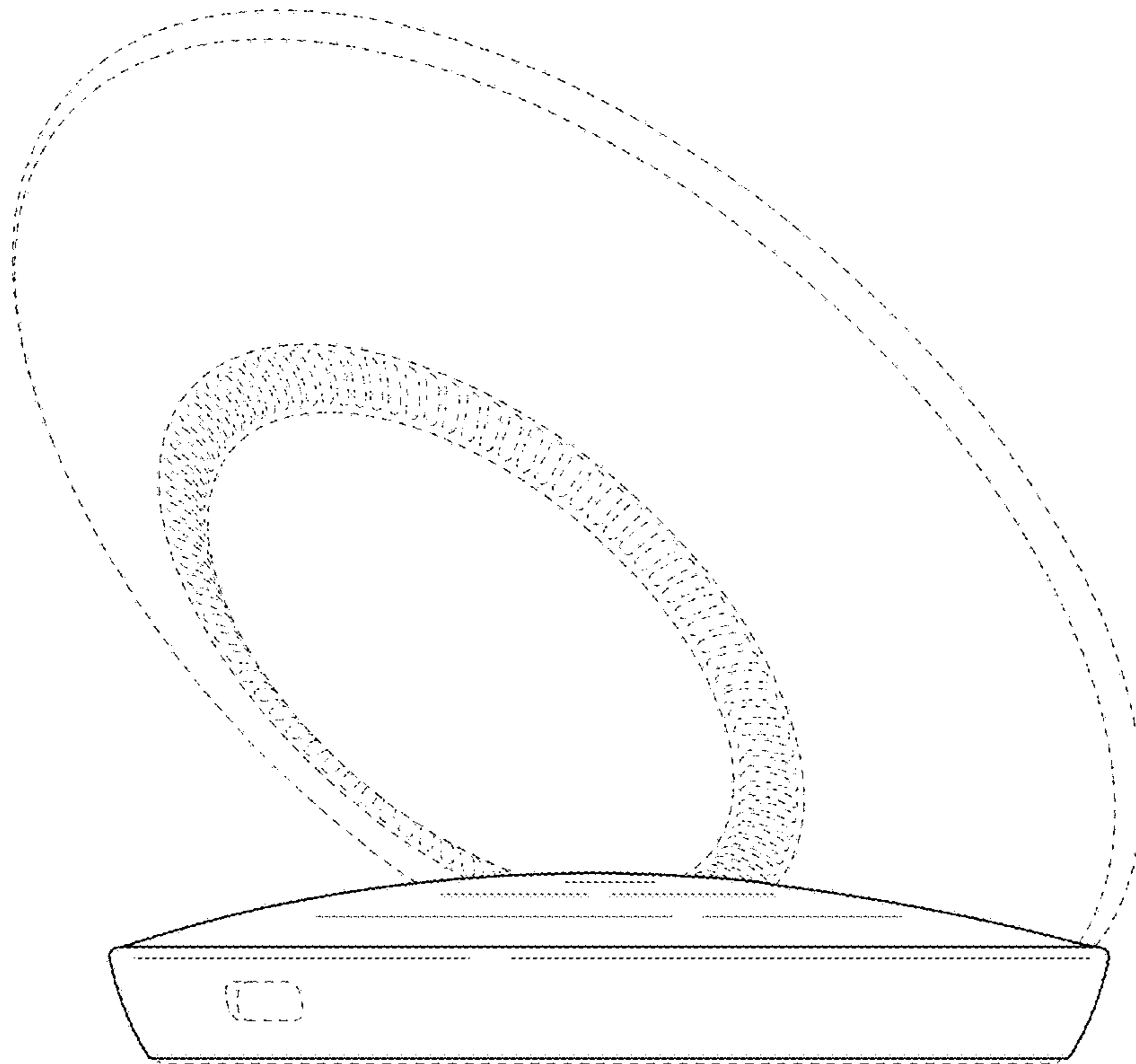


FIG.9

