



US00D861598S

(12) **United States Design Patent**  
**Xiao**

(10) **Patent No.:** **US D861,598 S**

(45) **Date of Patent:** **\*\* Oct. 1, 2019**

(54) **CELL PHONE CHARGE DOCK**

(71) Applicant: **Shenzhen Aigelong Technology Co., Ltd.**, Shenzhen (CN)

(72) Inventor: **Liang Xiao**, Shenzhen (CN)

(\*\*) Term: **15 Years**

(21) Appl. No.: **29/627,884**

(22) Filed: **Nov. 30, 2017**

(51) **LOC (12) Cl.** ..... **13-02**

(52) **U.S. Cl.**

USPC ..... **D13/108; D14/253**

(58) **Field of Classification Search**

USPC ..... D14/251-253, 358, 432, 434, 440, 447;  
D3/218; D16/242, 243; D12/415;  
D13/107, 108

CPC ..... A45C 11/00; A45F 5/00; F16M 11/06

See application file for complete search history.

(56) **References Cited**

**U.S. PATENT DOCUMENTS**

D520,013 S \* 5/2006 Yang ..... D14/434  
D642,519 S \* 8/2011 Woo ..... D13/108  
D674,337 S \* 1/2013 Au Yeung ..... D13/108  
D713,399 S \* 9/2014 Green ..... D14/253

D725,646 S \* 3/2015 Minn ..... D14/256  
D772,216 S \* 11/2016 Lau ..... D13/108  
D812,564 S \* 3/2018 Feng ..... D13/108  
D814,413 S \* 4/2018 Zhong ..... D13/108  
D824,379 S \* 7/2018 Symons ..... D14/253  
2009/0075693 A1\* 3/2009 So ..... H04M 1/04  
455/556.1

\* cited by examiner

*Primary Examiner* — Janice Hallmark

(74) *Attorney, Agent, or Firm* — Jie Yang; HYIP

(57) **CLAIM**

The ornamental design for a cell phone charge dock, as shown and described.

**DESCRIPTION**

FIG. 1 is a Front elevational view of a cell phone charge dock showing my new design;

FIG. 2 is a Rear elevational view thereof;

FIG. 3 is a Left side view thereof;

FIG. 4 is a Right side view thereof;

FIG. 5 is a Top plan view thereof;

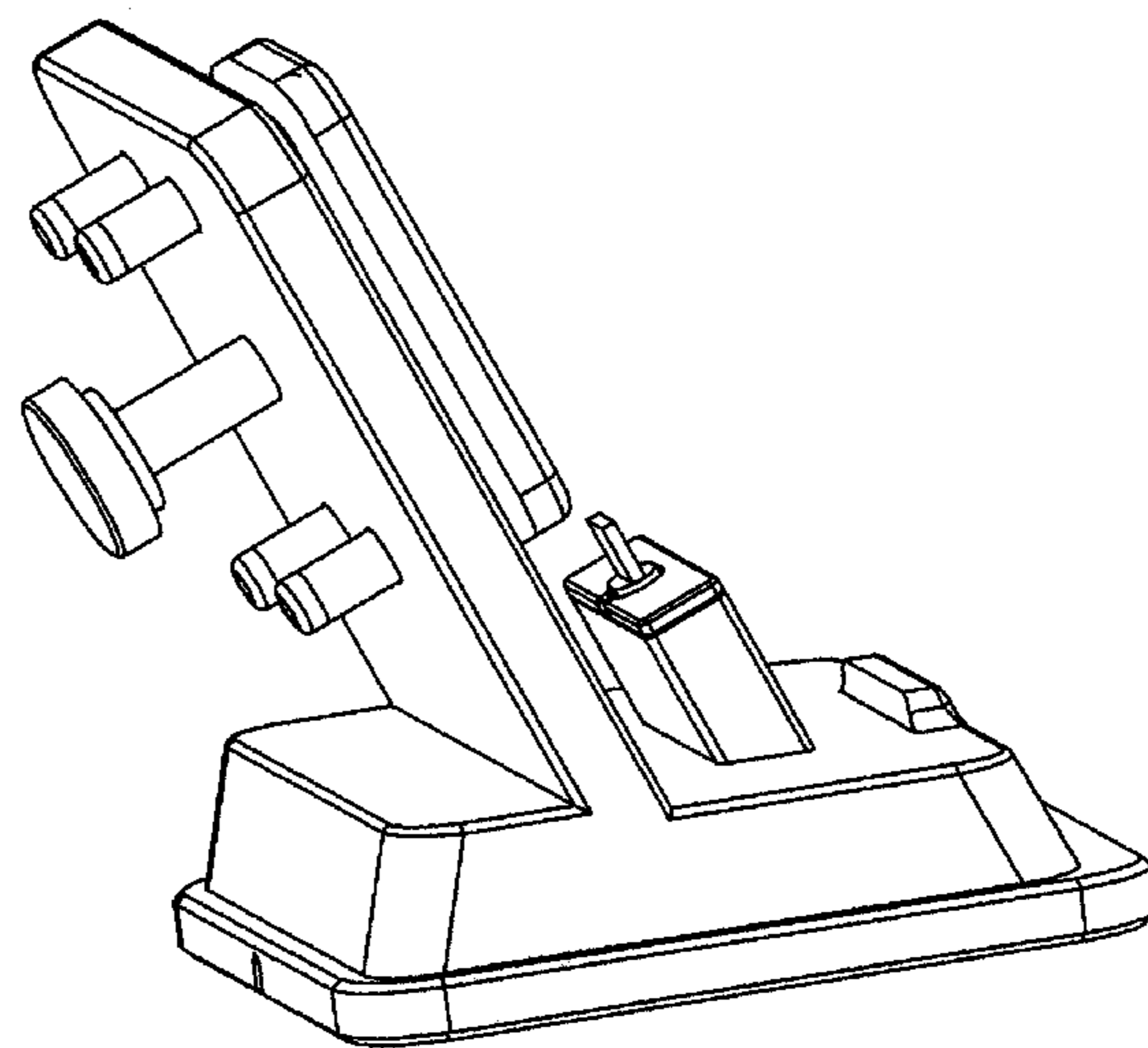
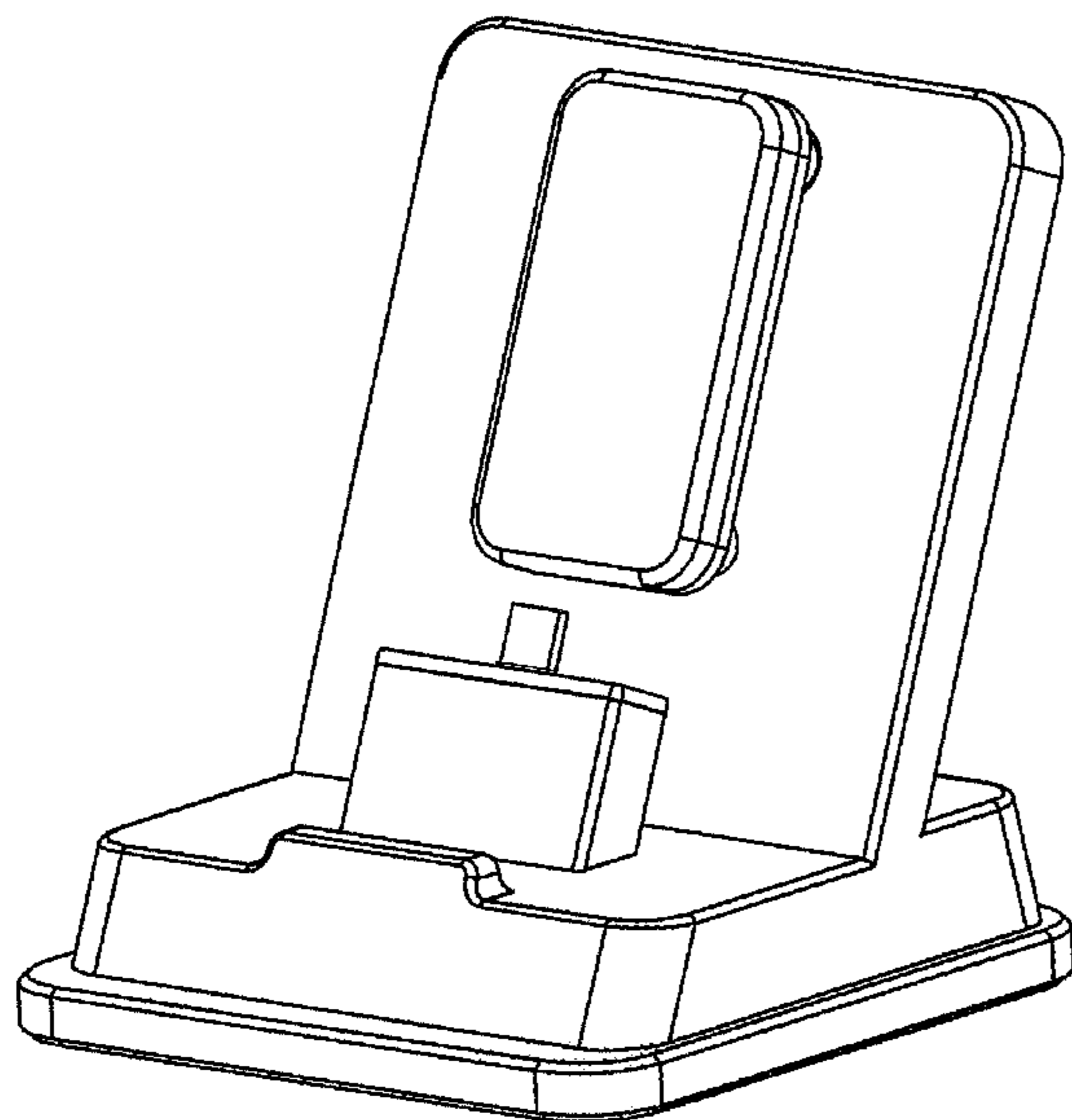
FIG. 6 is a Bottom plan view thereof;

FIG. 7 is a Perspective view thereof; and,

FIG. 8 is a Perspective view(from rear side) thereof;

The broken lines in the drawings depict portions of the cell phone charge dock form no part of the claimed design.

**1 Claim, 8 Drawing Sheets**



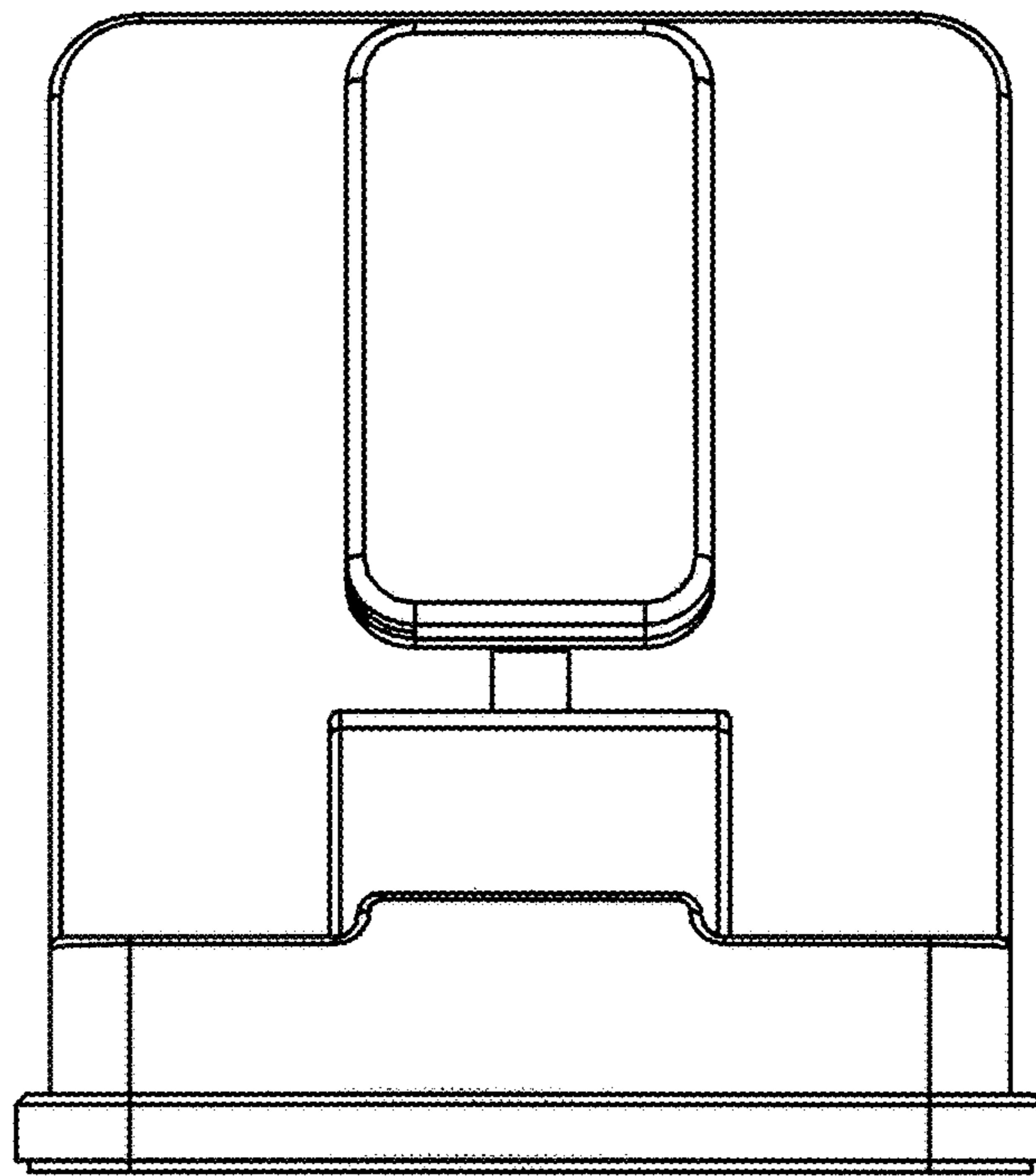


FIG. 1

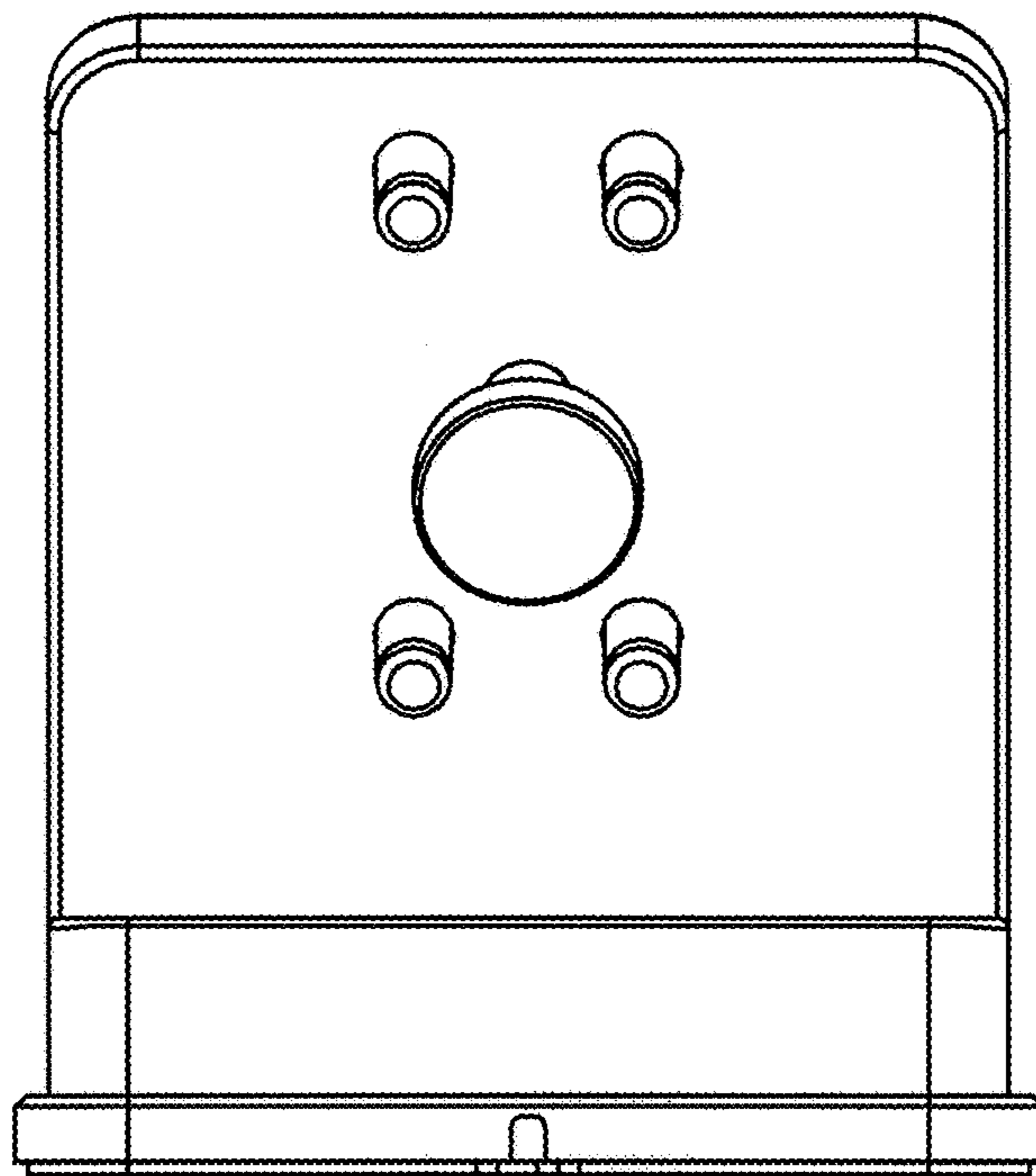


FIG. 2

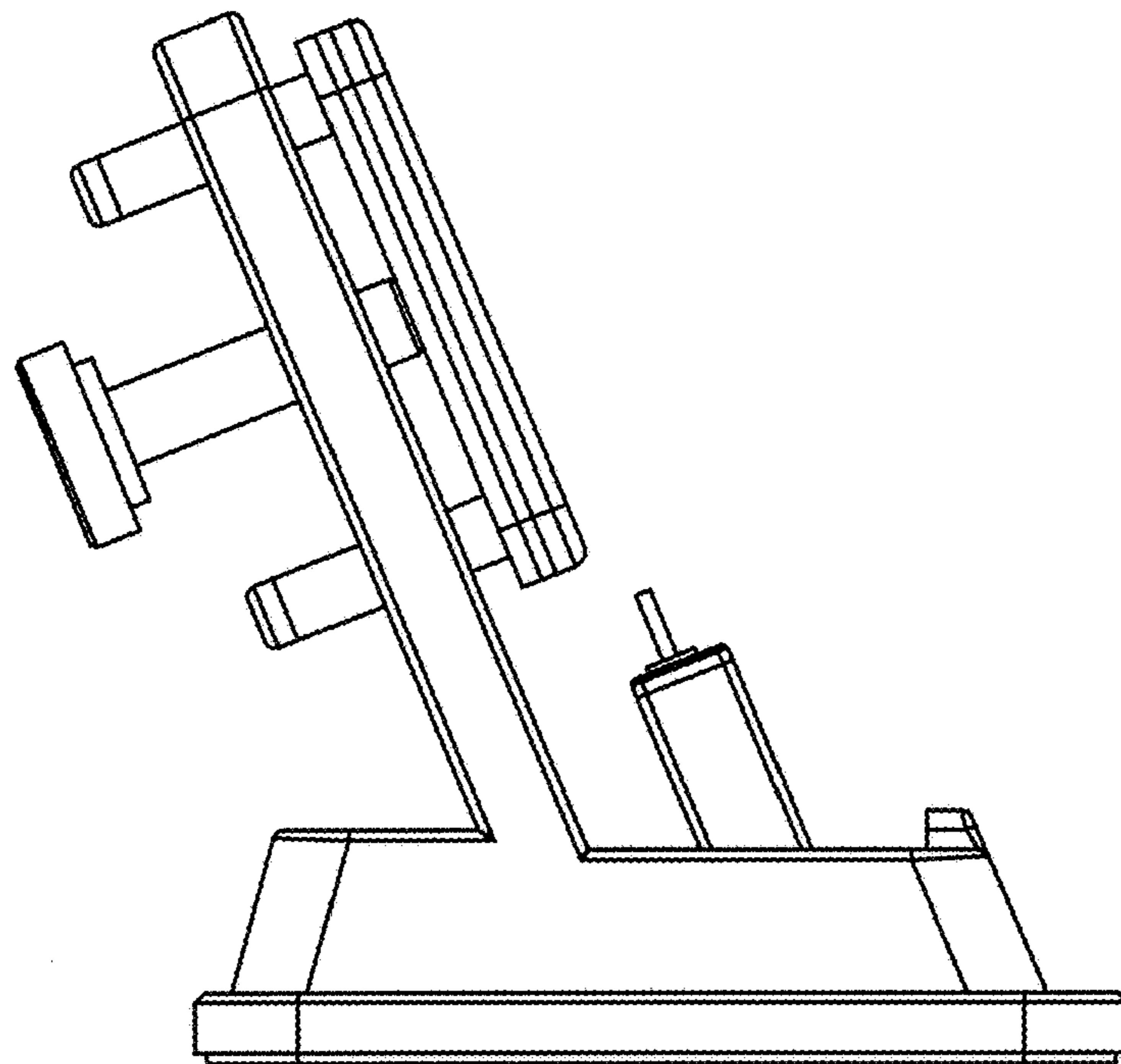


FIG. 3

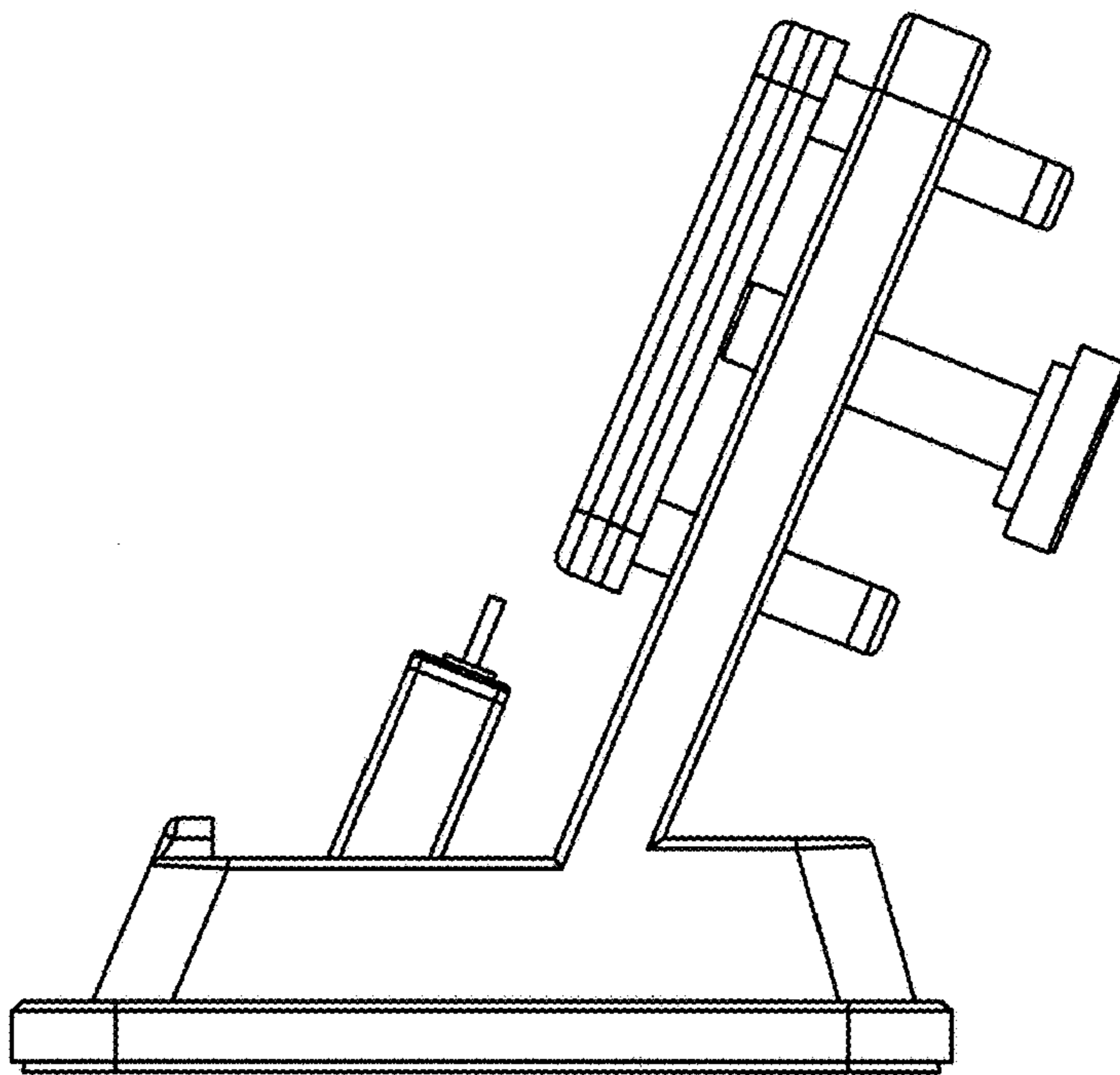


FIG. 4

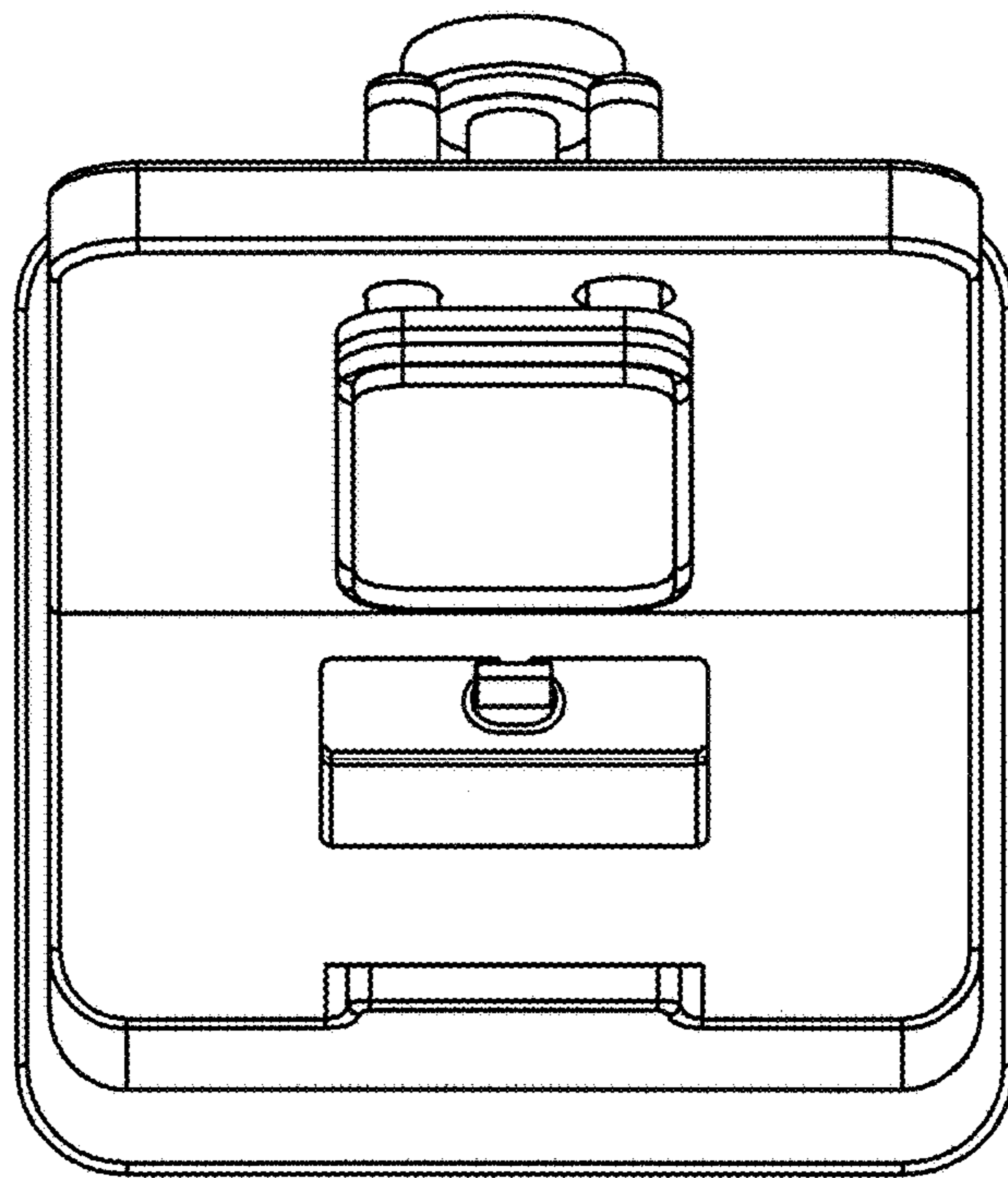


FIG. 5

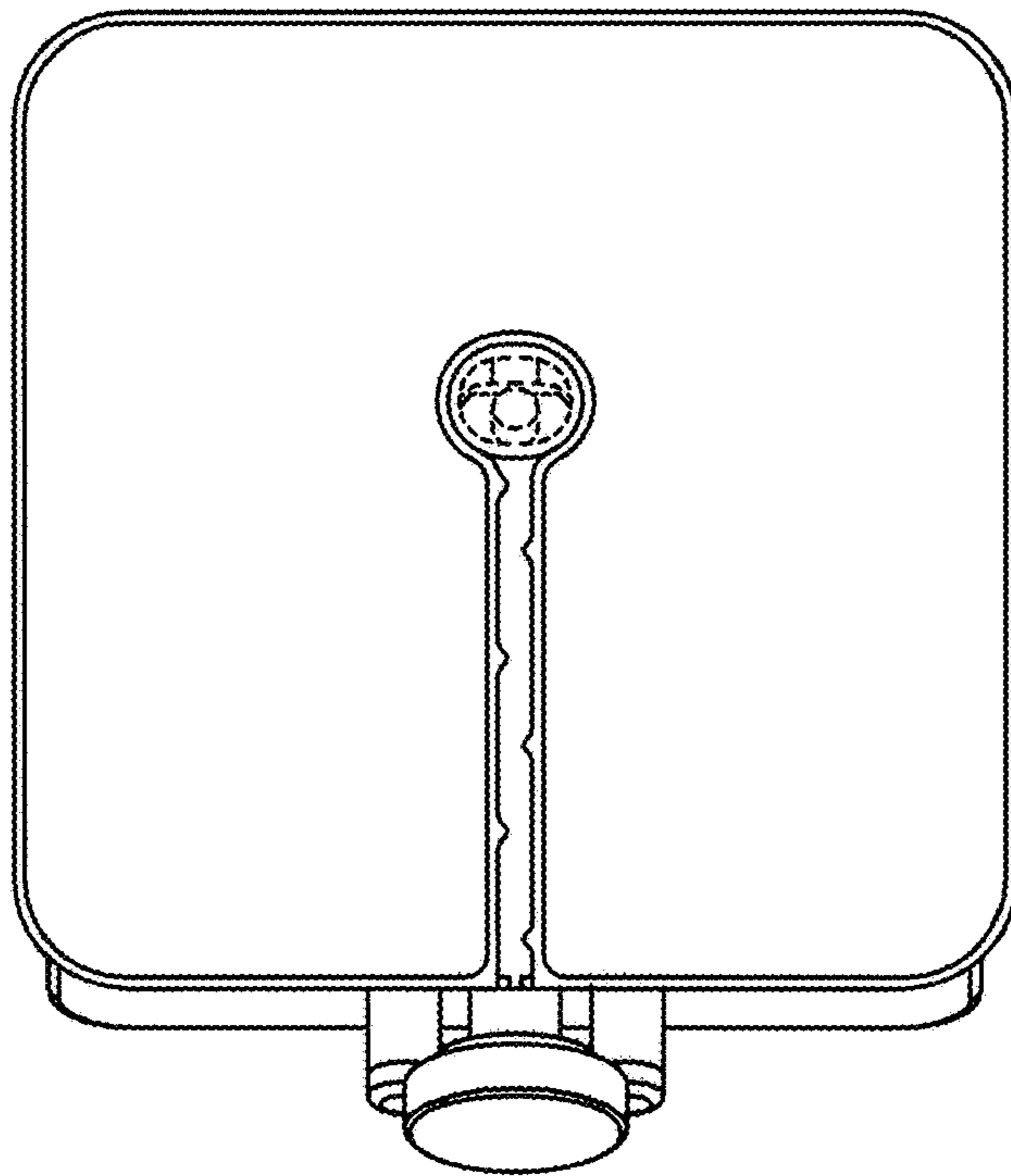


FIG. 6



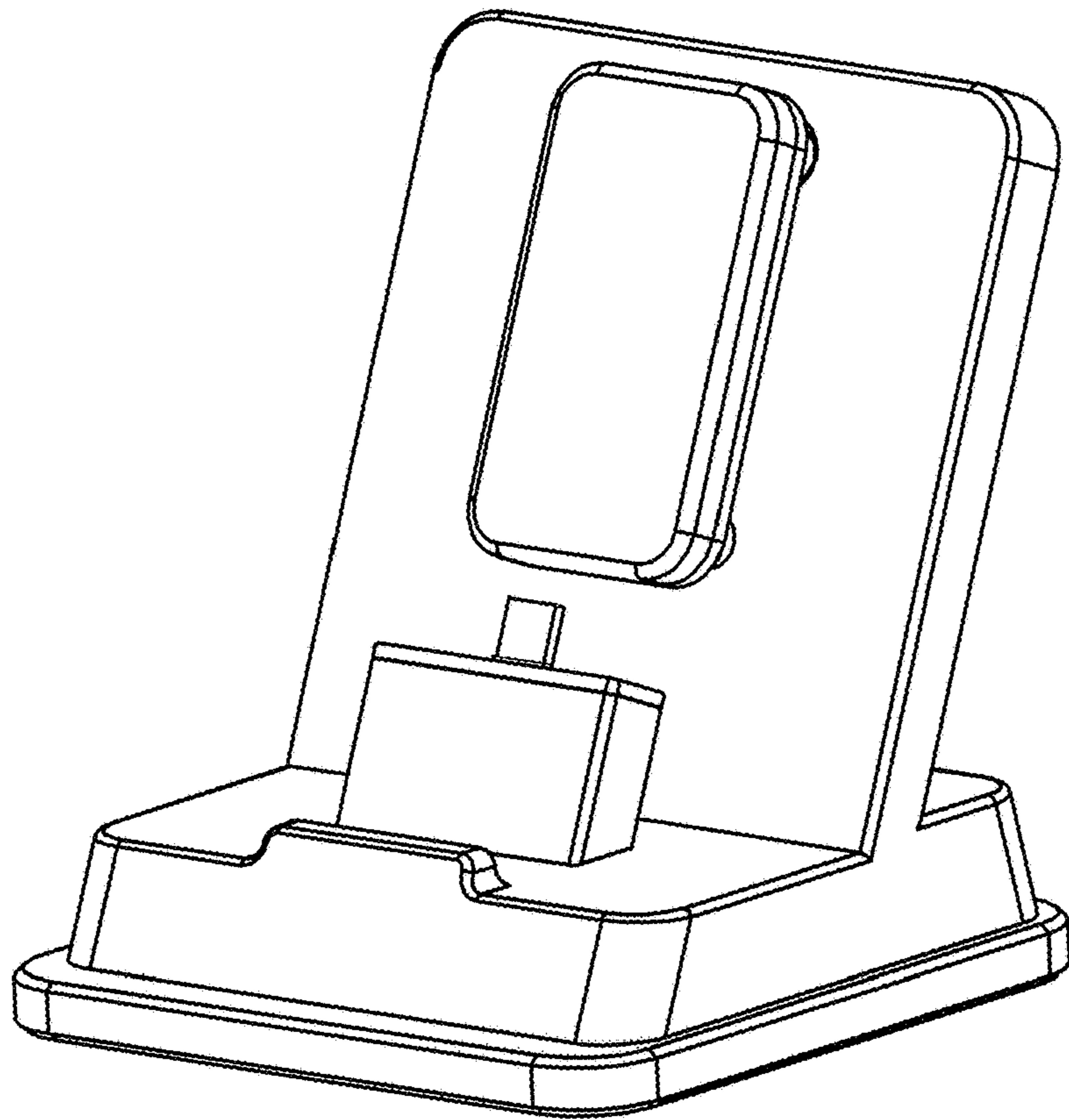


FIG. 7



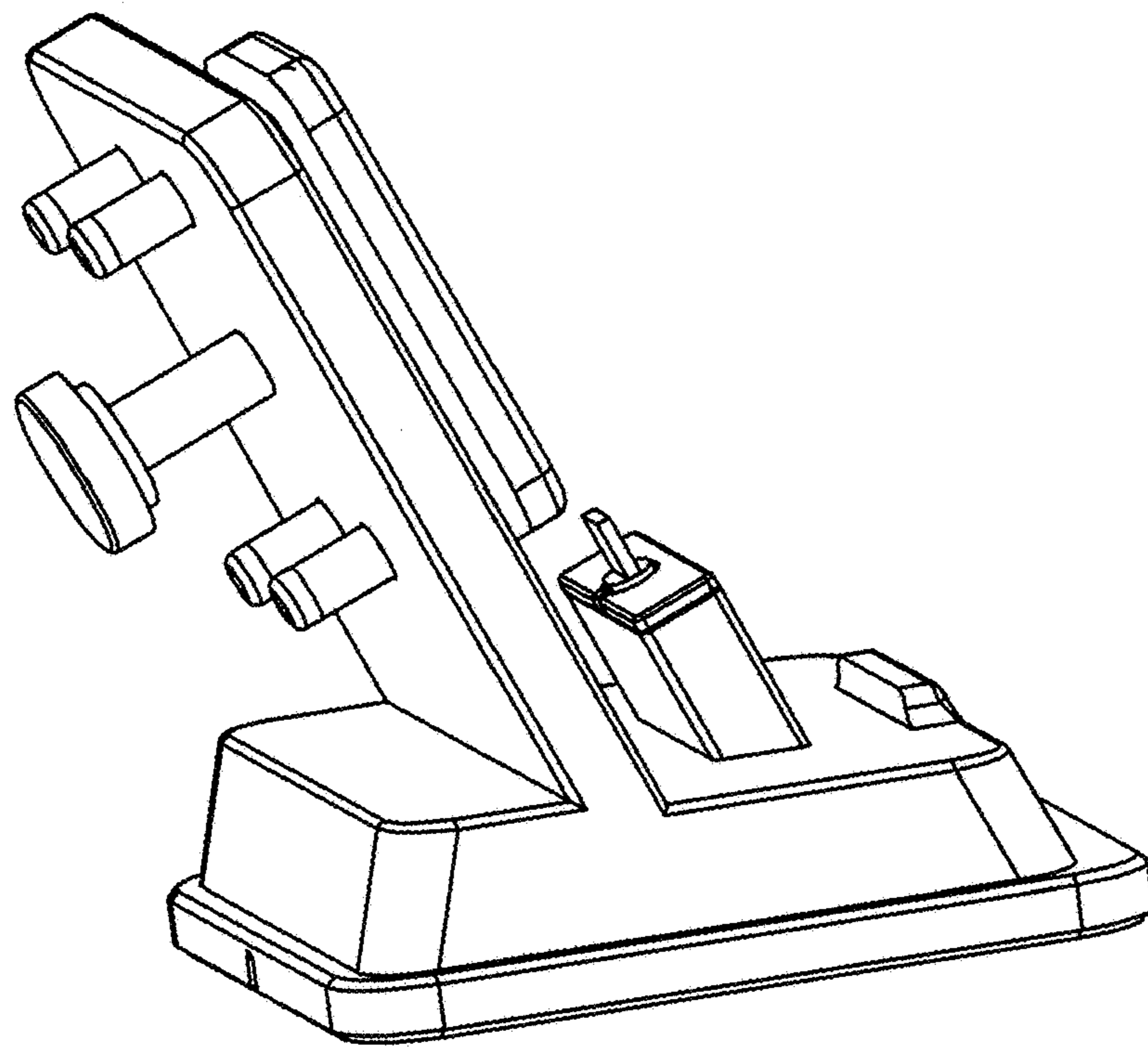


FIG. 8