



US00D861597S

(12) **United States Design Patent** (10) **Patent No.:** **US D861,597 S**
Gan (45) **Date of Patent:** **** Oct. 1, 2019**

(54) **MOBILE POWER BANK**
(71) Applicant: **SHENZHEN VALUELINK E-COMMERCE CO., LTD.**, Shenzhen (CN)
(72) Inventor: **Qingcao Gan**, Shenzhen (CN)
(73) Assignee: **SHENZHEN VALUELINK E-COMMERCE CO., LTD.**, Shenzhen (CN)
(**) Term: **15 Years**

D713,786 S * 9/2014 Wen D13/103
D733,043 S * 6/2015 Hasbrook D13/103
D733,051 S * 6/2015 Wang D13/103
D742,310 S * 11/2015 Yen D13/108
D762,169 S * 7/2016 Lei D13/108
D762,170 S * 7/2016 Lei D13/108
D769,188 S * 10/2016 Miller D13/107
D787,443 S * 5/2017 Chiang D13/110
D788,037 S * 5/2017 Hung D13/110
D797,044 S * 9/2017 Miller D13/108
D812,000 S * 3/2018 Li D13/108
D814,405 S * 4/2018 Hahn D13/107
D824,328 S * 7/2018 Liu D13/108
D826,854 S * 8/2018 Roberts D13/108

* cited by examiner

(21) Appl. No.: **29/606,664**
(22) Filed: **Jun. 6, 2017**
(51) **LOC (12) Cl.** **13-02**
(52) **U.S. Cl.**
USPC **D13/108; D13/103**
(58) **Field of Classification Search**
USPC D13/107–110, 118–119, 184, 199;
D14/251, 253, 432, 434
CPC Y02E 60/12; Y02T 90/14; Y02T 90/122;
Y02T 90/128; Y02T 90/163; H02J 7/025;
H02J 7/0042; H02J 7/0044; H02J 7/0045;
H02J 7/0003; H01F 38/14; H01R
13/6675; H01M 2/1022; H01M 2/1055;
H01M 10/44; H01M 10/46; H01M
10/425; B60L 11/182
See application file for complete search history.

Primary Examiner — Rosemary K Tarcza
(74) *Attorney, Agent, or Firm* — Wayne & Ken, LLC;
Tony Hom

(57) **CLAIM**

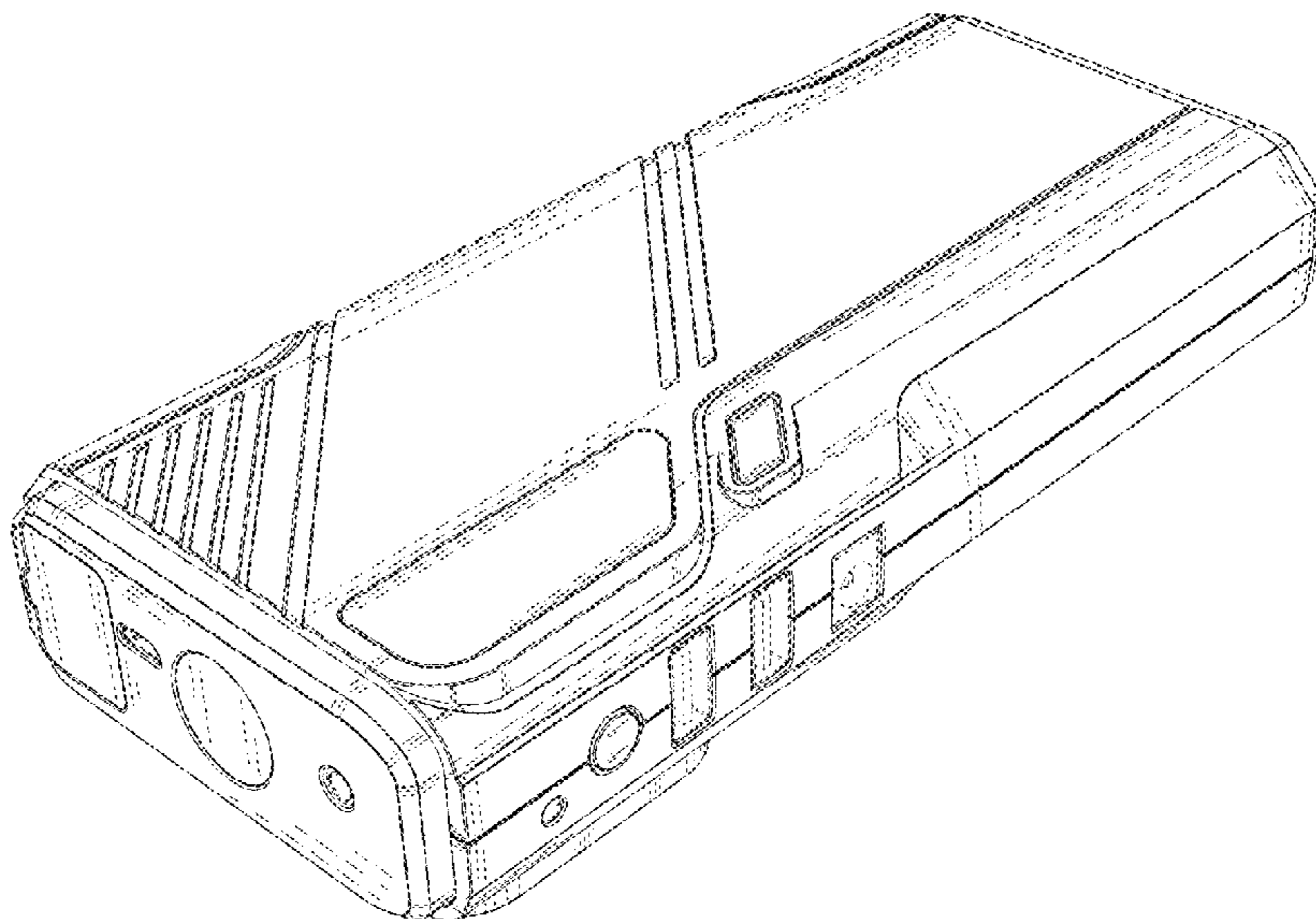
The ornamental design for a mobile power bank, as shown and described.

DESCRIPTION

FIG. 1 is a schematic view of a power bank showing my new design;
FIG. 2 is a front view thereof;
FIG. 3 is a back view thereof;
FIG. 4 is a left view thereof;
FIG. 5 is a right view thereof;
FIG. 6 is a top view thereof, and,
FIG. 7 is a bottom view thereof.
The broken lines in the drawings are for the purpose of illustrating portions of the mobile power bank that form no part of the claimed design.

(56) **References Cited**
U.S. PATENT DOCUMENTS
D565,571 S * 4/2008 Trifilio D14/356
D667,788 S * 9/2012 Mai D13/110
D712,351 S * 9/2014 Zeng D13/103

1 Claim, 7 Drawing Sheets



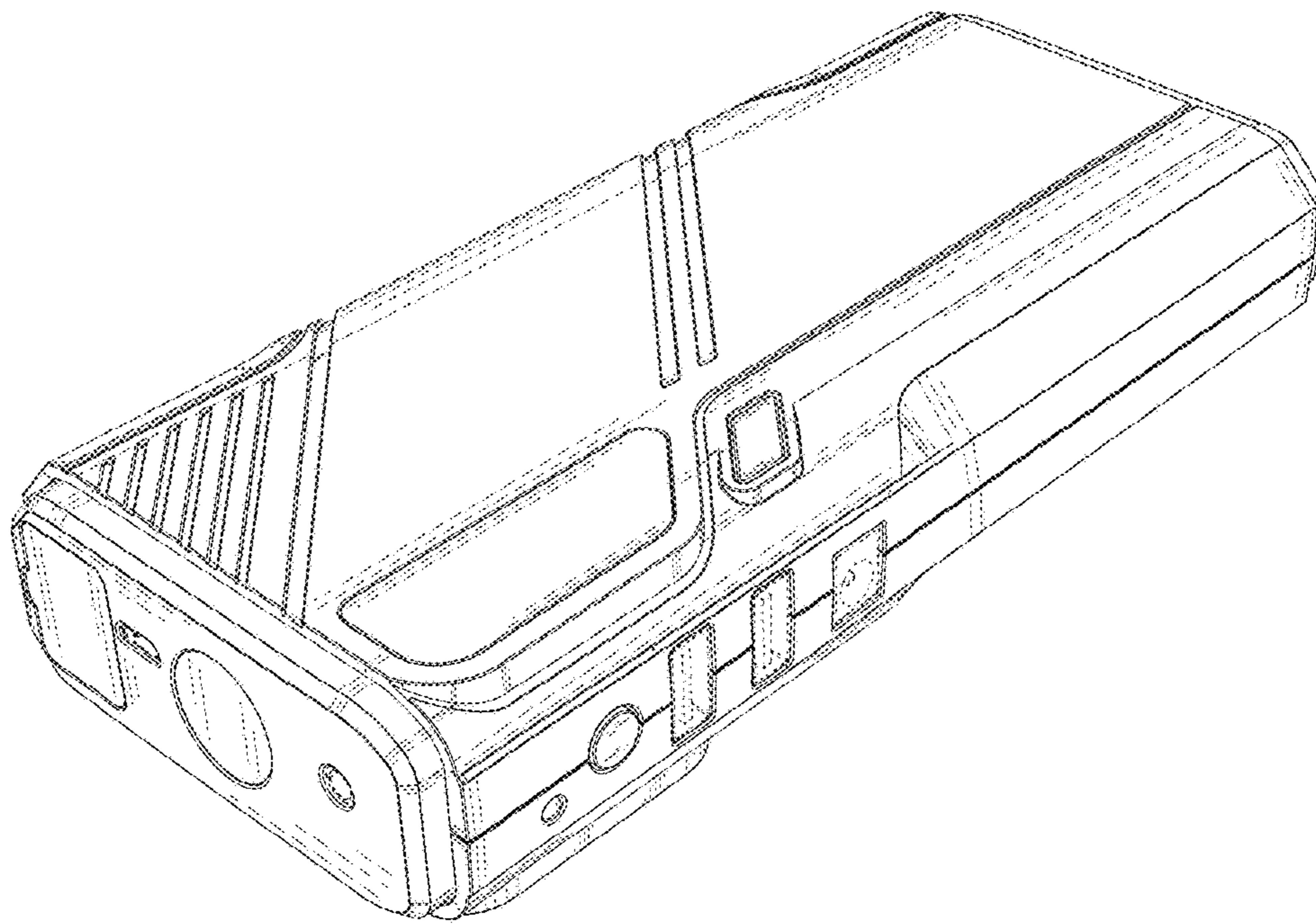


FIG. 1

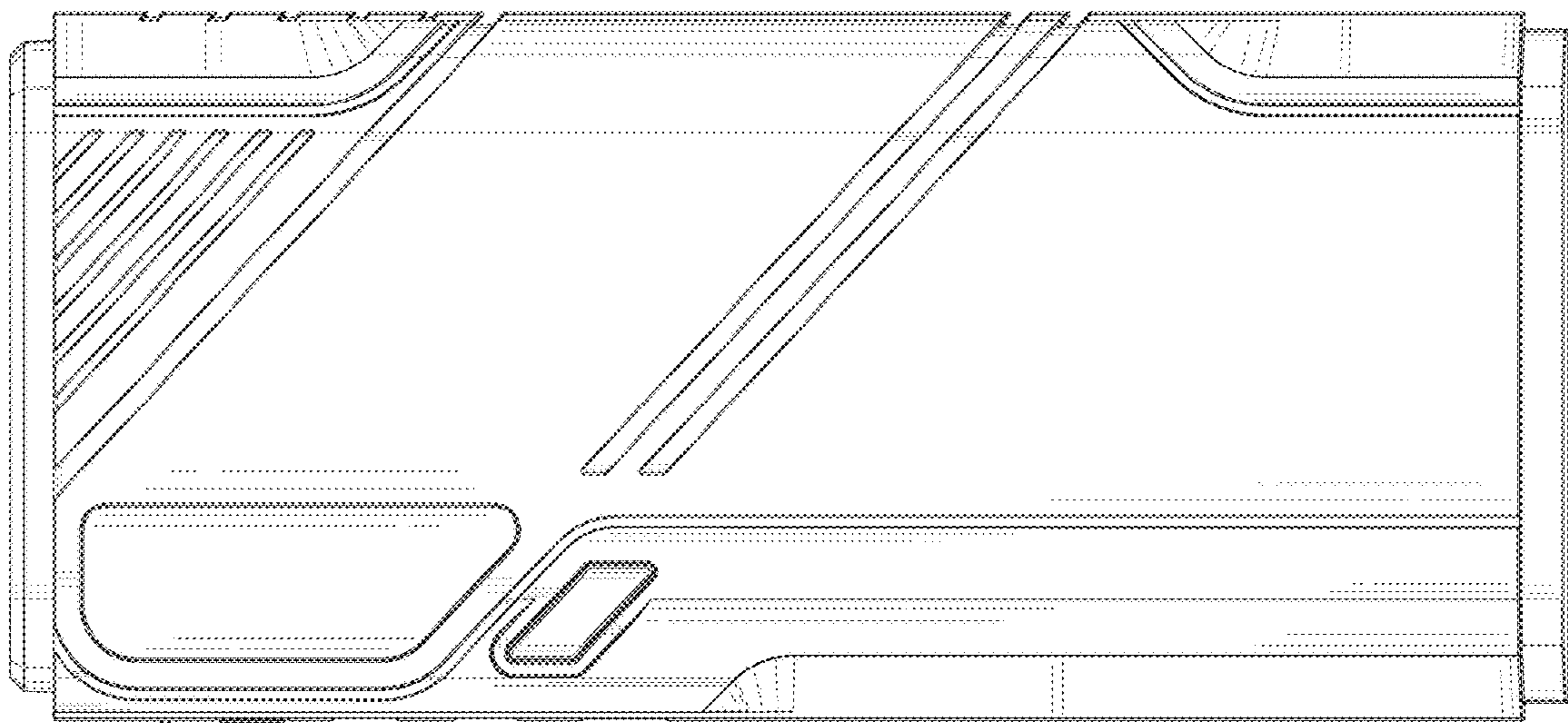


FIG. 2

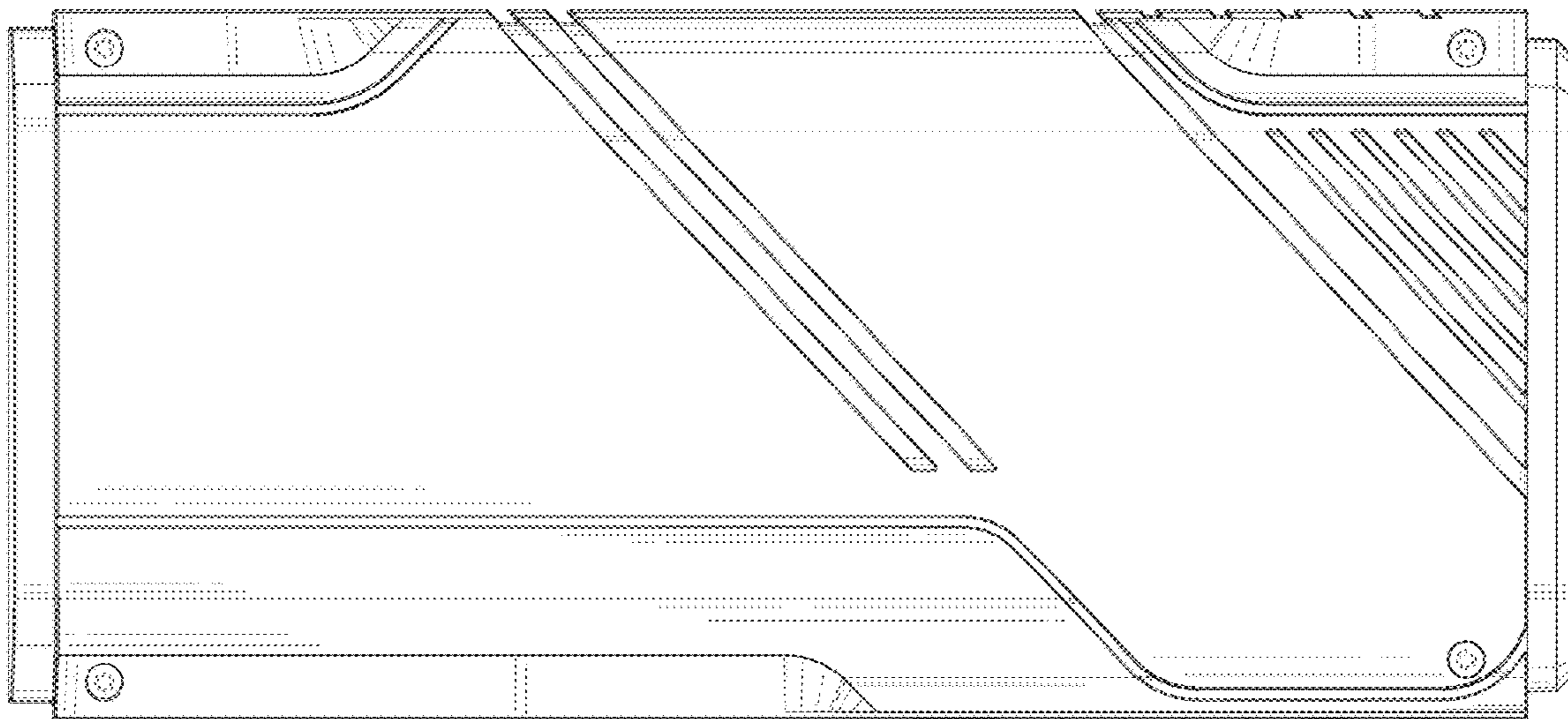


FIG. 3

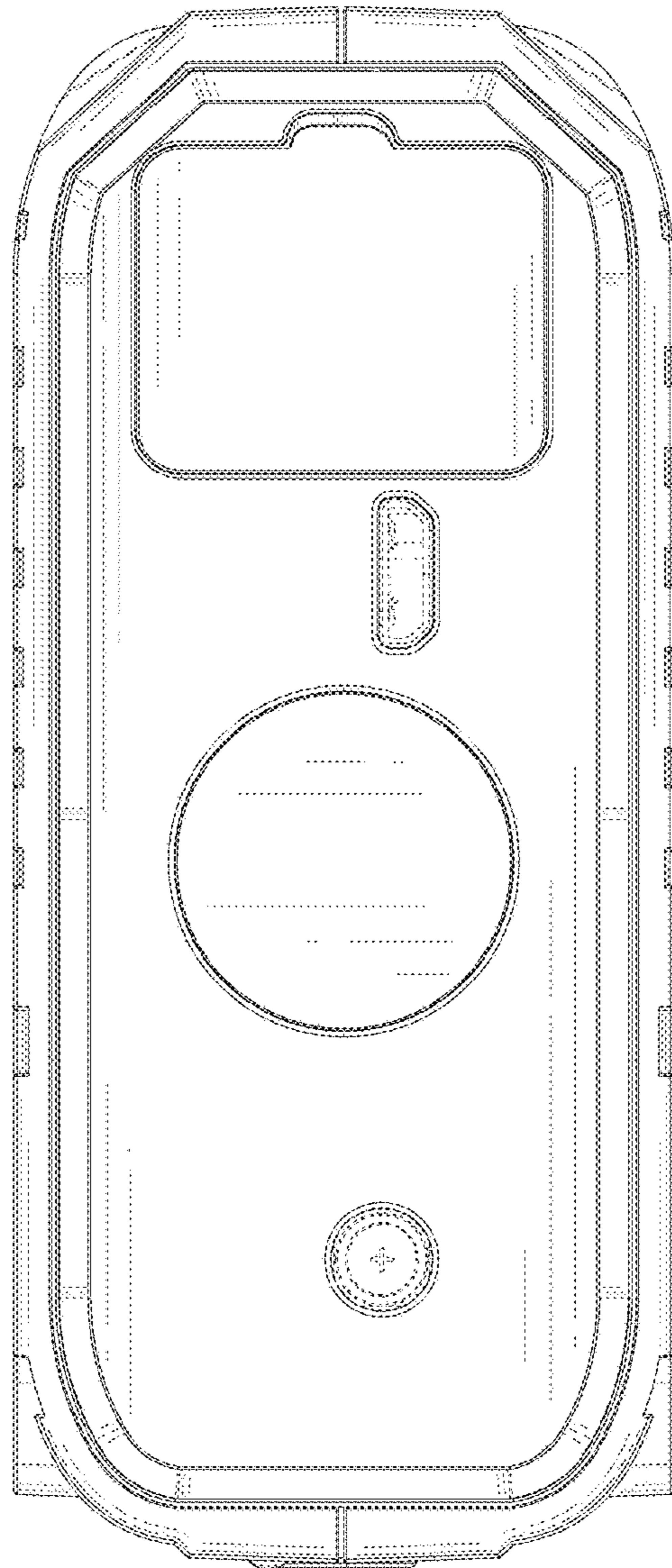


FIG. 4

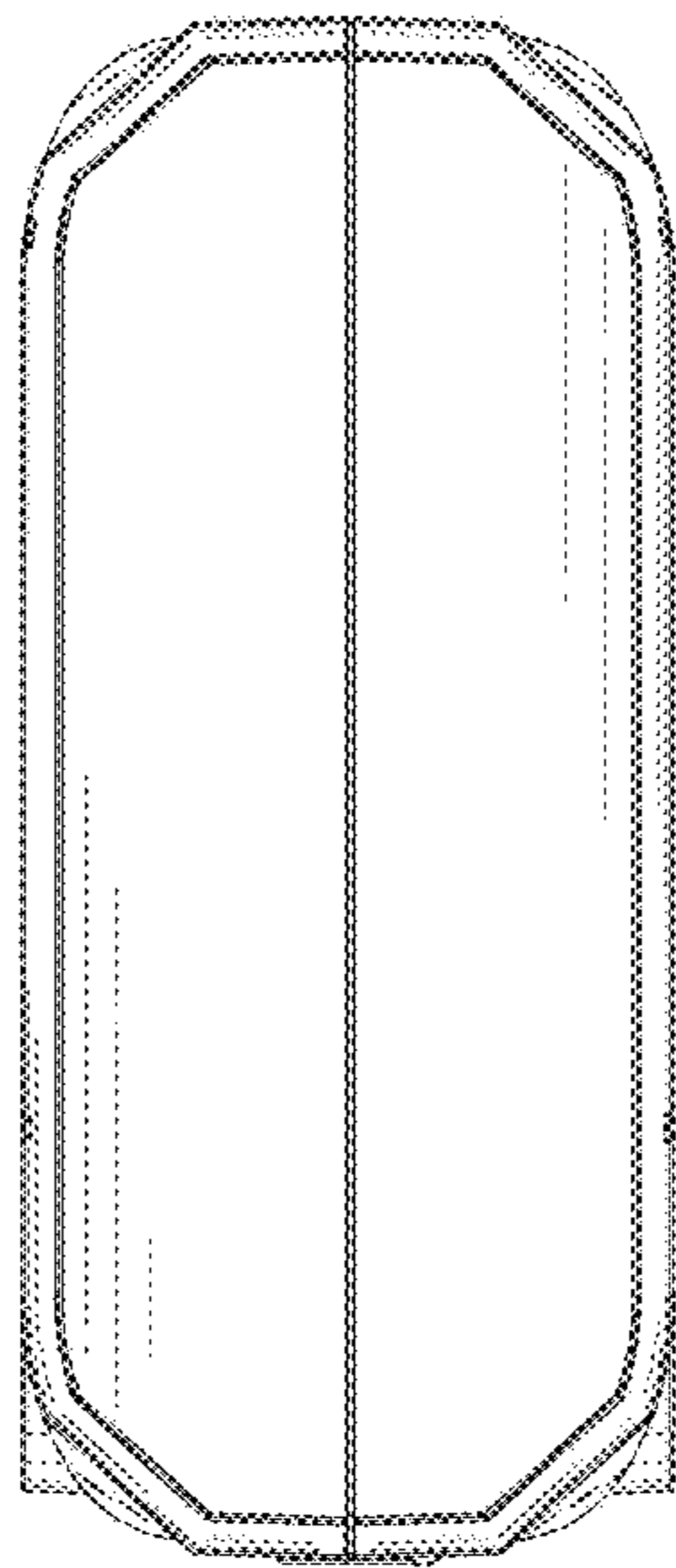


FIG. 5

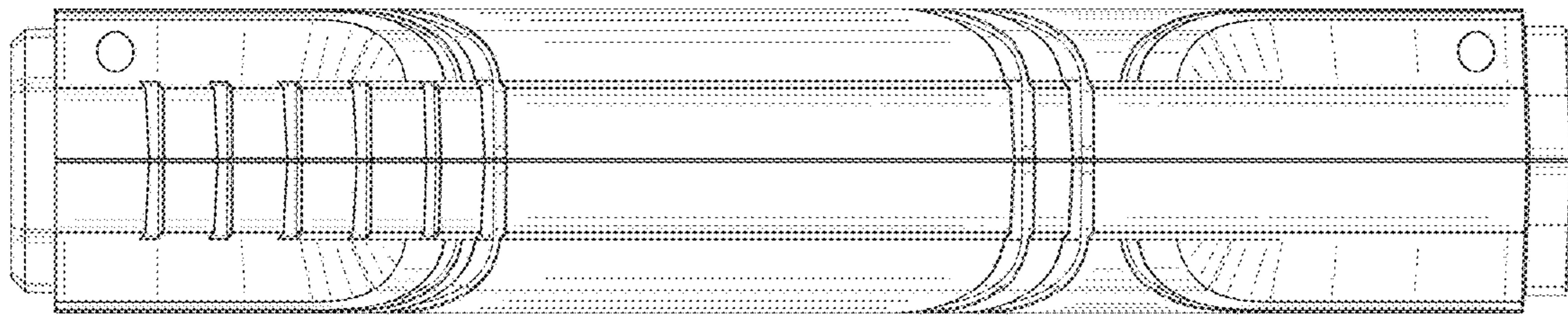


FIG. 6

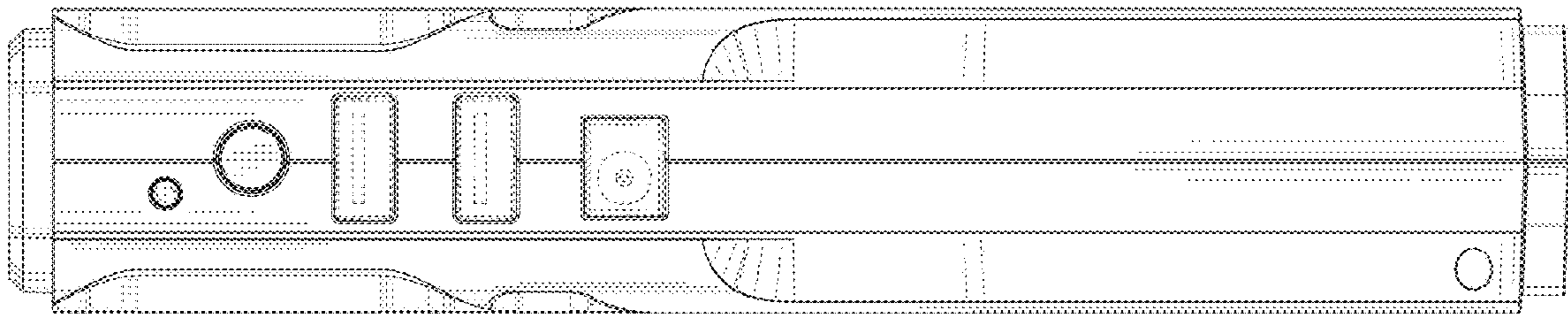


FIG. 7