

US00D861596S

(12) **United States Design Patent** (10) **Patent No.:** **US D861,596 S**
Oliver et al. (45) **Date of Patent:** **** *Oct. 1, 2019**

(54) **BATTERY MID CHARGER**

(56) **References Cited**

(71) Applicant: **Accutronics Ltd**, Staffordshire (GB)

U.S. PATENT DOCUMENTS

(72) Inventors: **Neil Oliver**, Staffordshire (GB); **David Asplin**, Staffordshire (GB); **Steve Dodds**, Staffordshire (GB)

3,105,909 A	10/1963	Jones	
D206,804 S	1/1967	Cunitz	
D210,596 S *	3/1968	Becker et al.	D13/110
3,579,075 A	5/1971	Floyd	
D225,013 S *	10/1972	Stewart	D10/50
3,696,283 A	10/1972	Ackley, III	
D225,109 S	11/1972	Flider	
3,711,806 A *	1/1973	Flentge	H01F 27/266 336/107
D236,493 S	8/1975	Kaye	
D246,709 S *	12/1977	Pomper	D13/110
D252,568 S *	8/1979	Comstock	D13/126
D260,513 S *	9/1981	Comstock	D13/126
4,403,182 A	9/1983	Yeh	
D276,495 S *	11/1984	Sylvia	D13/110
D278,703 S	5/1985	Chiodo et al.	
D286,770 S *	11/1986	Melcher	D13/126
D305,115 S *	12/1989	Kondo	D13/110

(73) Assignee: **Accutronics, Ltd.** (GB)

(*) Notice: This patent is subject to a terminal disclaimer.

(**) Term: **15 Years**

(21) Appl. No.: **29/617,784**

(22) Filed: **Sep. 15, 2017**

Related U.S. Application Data

(62) Division of application No. 29/561,226, filed on Apr. 14, 2016, now Pat. No. Des. 797,660, which is a division of application No. 29/485,393, filed on Mar. 18, 2014, now Pat. No. Des. 757,645.

Primary Examiner — Paula Allen Greene

(57) **CLAIM**

An ornamental design for the battery mid charger, as shown and described.

(30) **Foreign Application Priority Data**

Sep. 18, 2013 (EP) 002311787

(51) **LOC (12) Cl.** **13-02**

(52) **U.S. Cl.**
USPC **D13/107**

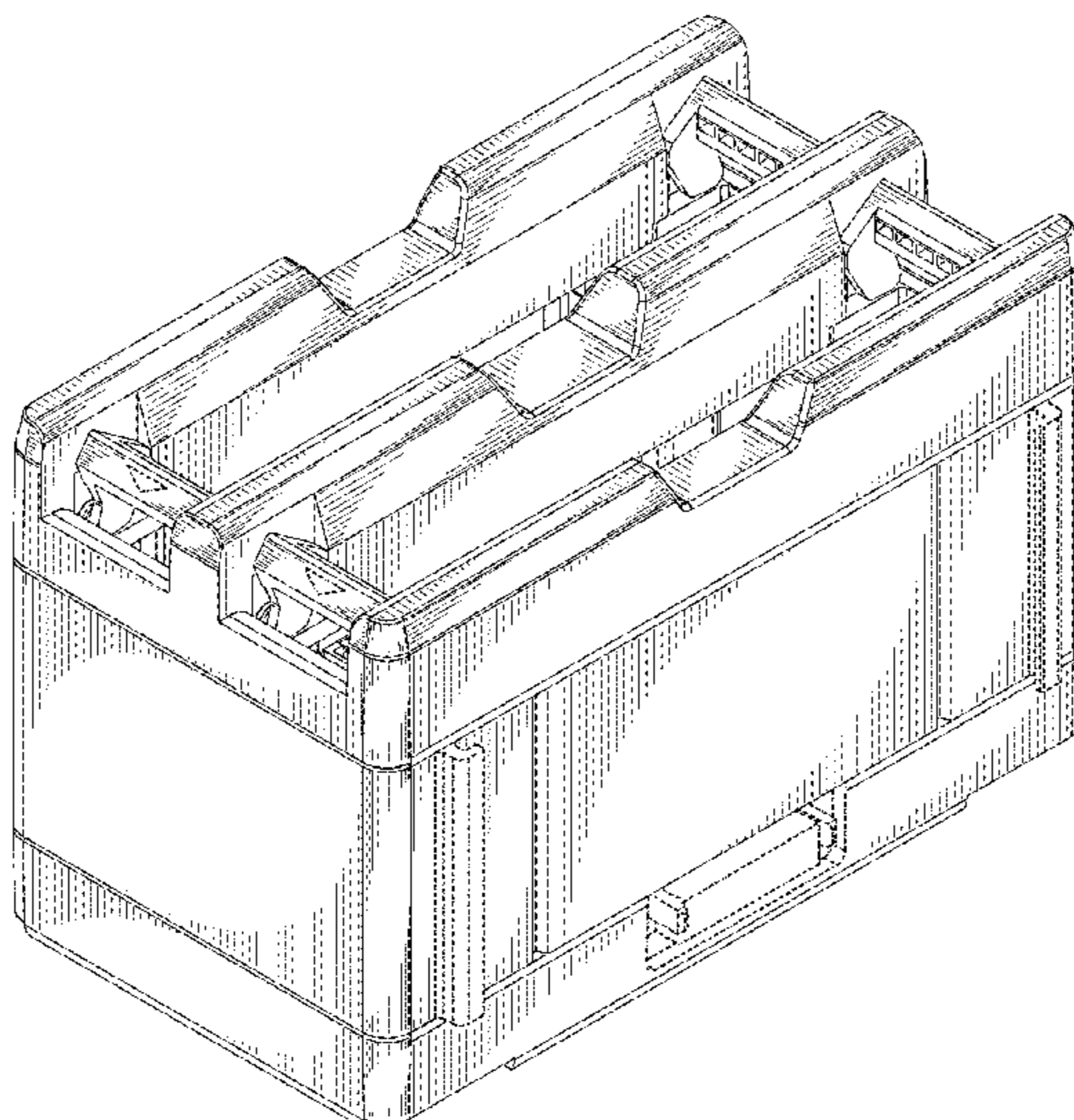
(58) **Field of Classification Search**
USPC D13/107, 103, 106, 110, 184, 82, 120, D13/159, 168; 429/96, 97, 99, 100, 105, 429/163, 82, 120, 176; 320/103, 107, 320/110, 120, 125, 113
CPC H01M 2/10; H01M 10/46; H01M 10/44; H01M 10/6556; H01M 10/50

See application file for complete search history.

DESCRIPTION

FIG. 1 is a first perspective view of an embodiment of our mid charger module;
FIG. 2 is a second perspective view of the design of FIG. 1;
FIG. 3 is a front view of the design of FIG. 1;
FIG. 4 is a top view of the design of FIG. 1;
FIG. 5 is a bottom view of the design of FIG. 1;
FIG. 6 is a left hand side view of the design of FIG. 1; and,
FIG. 7 is a right hand side view of the design of FIG. 1.
The broken lines in the above described FIGS. 1-7 are for illustrative purposes only and form no part of the claimed design.

1 Claim, 7 Drawing Sheets



(56)

References Cited

U.S. PATENT DOCUMENTS

5,039,929 A 8/1991 Veistroffer et al.
D328,057 S * 7/1992 Prager D13/110
D336,631 S 6/1993 Ivester
5,221,210 A 6/1993 Bormuth et al.
D338,653 S * 8/1993 Morgan D13/110
D351,134 S * 10/1994 Hunziker D13/110
D377,790 S 2/1997 Ober et al.
D377,986 S 2/1997 Pollard
D388,764 S 1/1998 Bartling et al.
D409,562 S 5/1999 Johansson et al.
D414,752 S * 10/1999 Rooyakkers D13/184
D478,061 S 8/2003 Abe et al.
D479,219 S 9/2003 Abe et al.
D494,940 S * 8/2004 Fiocchi D13/184
D519,919 S 5/2006 Yokota
D555,587 S 11/2007 Yamamoto et al.
D592,134 S * 5/2009 Brockington D13/119
D610,539 S 2/2010 Dahan et al.
D614,124 S 4/2010 Mistyurik
D620,886 S * 8/2010 Flattinger D13/110
D621,351 S 8/2010 Huang et al.
D623,125 S 9/2010 Kawabata et al.
D643,811 S 8/2011 Qualls et al.
8,054,041 B2 11/2011 Kim et al.
D650,326 S * 12/2011 Yen D13/107
D651,562 S * 1/2012 Takeno D13/107
D651,564 S * 1/2012 Workman D13/108
D654,019 S 2/2012 Ikegame
D659,088 S * 5/2012 Steinberg D13/106
D660,799 S 6/2012 Grunwald et al.
D661,254 S 6/2012 Grunwald et al.
D664,499 S * 7/2012 Workman D13/107

D666,150 S 8/2012 Grunwald et al.
8,312,937 B2 11/2012 Turner et al.
D674,333 S 1/2013 Lemelman et al.
D675,622 S 2/2013 Petrick et al.
D680,950 S 4/2013 Nam et al.
D693,292 S 11/2013 Salvi et al.
D721,647 S 1/2015 DeKeuster
D727,254 S 4/2015 Kinoshita
D731,412 S 6/2015 Gao et al.
D731,415 S 6/2015 Arakelian et al.
D733,043 S 6/2015 Hasbrook et al.
D733,045 S 6/2015 Venida et al.
D742,307 S * 11/2015 DeKeuster D13/103
D757,645 S * 5/2016 Oliver D13/103
D758,960 S * 6/2016 Johansson D13/103
D790,453 S * 6/2017 Tinius D13/103
D797,660 S * 9/2017 Oliver D13/103
D803,777 S * 11/2017 Burchard D13/103
D820,200 S * 6/2018 Takahashi D13/103
D826,150 S * 8/2018 Cayon D13/103
D826,848 S * 8/2018 Toshida D13/103
D829,672 S 10/2018 Kato et al.
D842,802 S * 3/2019 Oliver D13/107
2001/0007728 A1 7/2001 Ogata et al.
2006/0093899 A1 5/2006 Jeon et al.
2012/0194132 A1 8/2012 Ikegame
2012/0214038 A1 8/2012 Kim et al.
2013/0183573 A1 * 7/2013 Yoshioka H01M 2/1077
429/159
2015/0214586 A1 7/2015 Yeow et al.
2015/0264740 A1 9/2015 Hiramatsu
2015/0364740 A1 * 12/2015 De Arroyabe H01M 2/206
429/90
2016/0248072 A1 8/2016 Jang et al.
2017/0125752 A1 * 5/2017 Kim H01M 2/1077

* cited by examiner

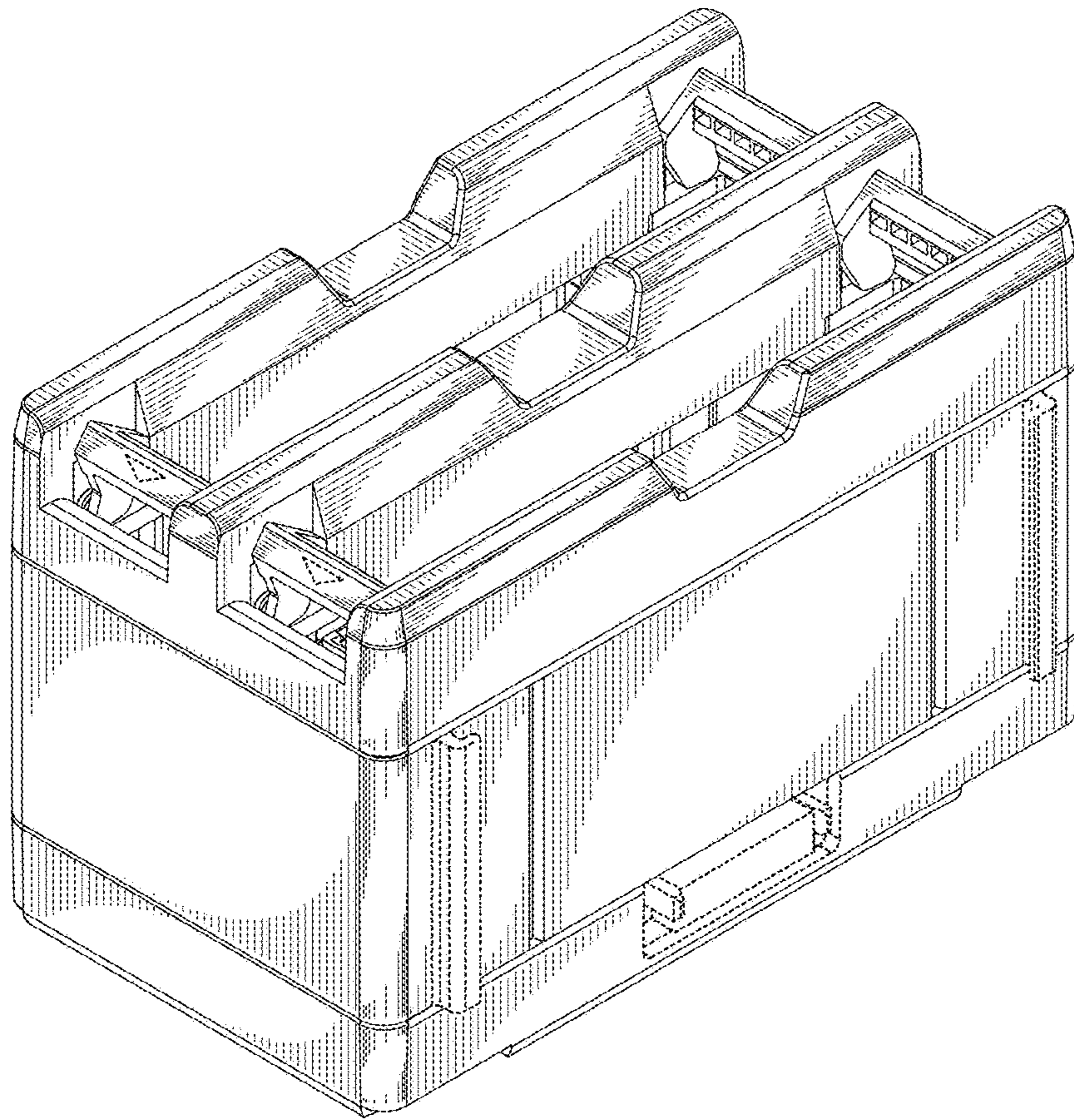


FIG. 1

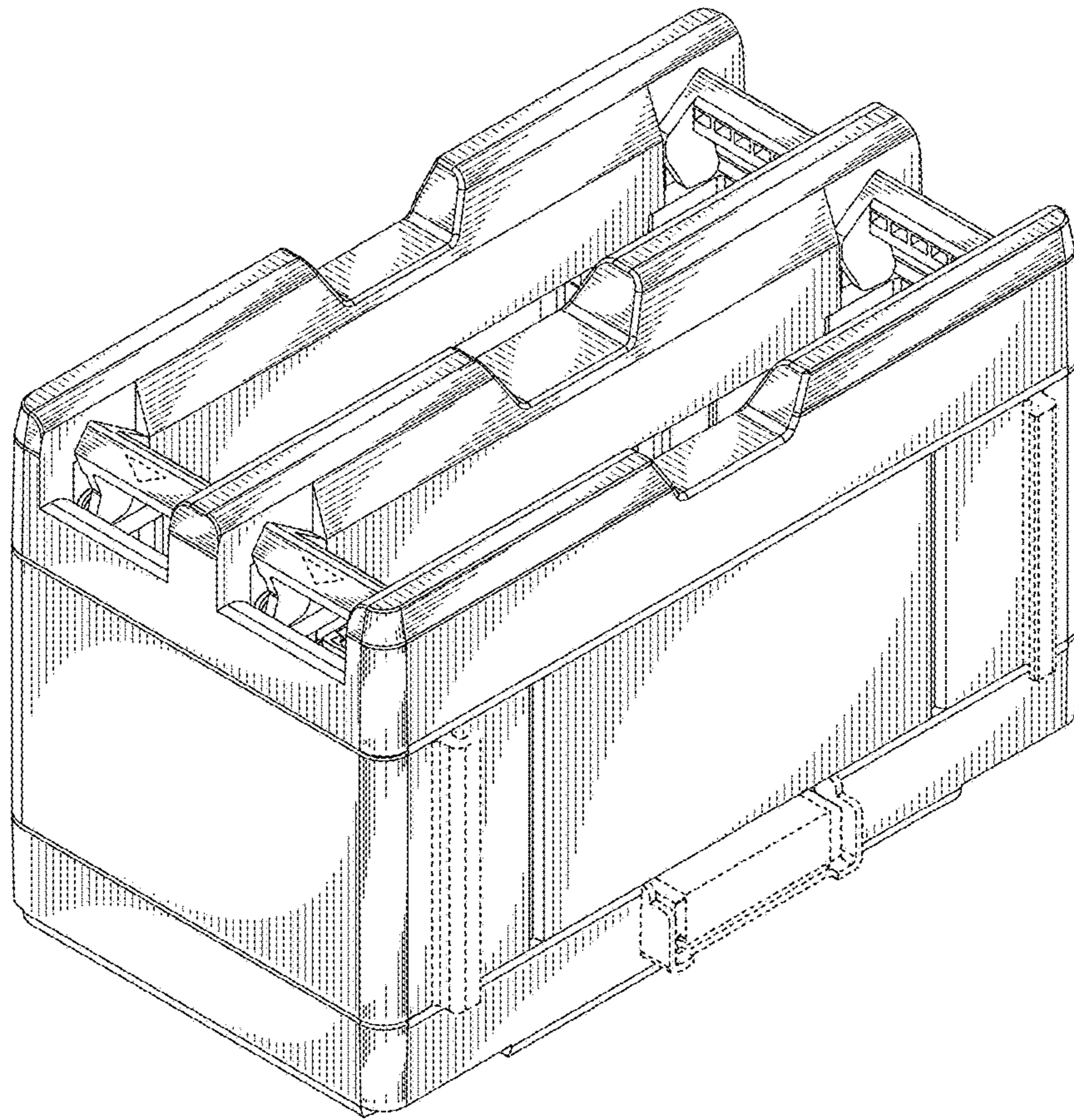


FIG. 2

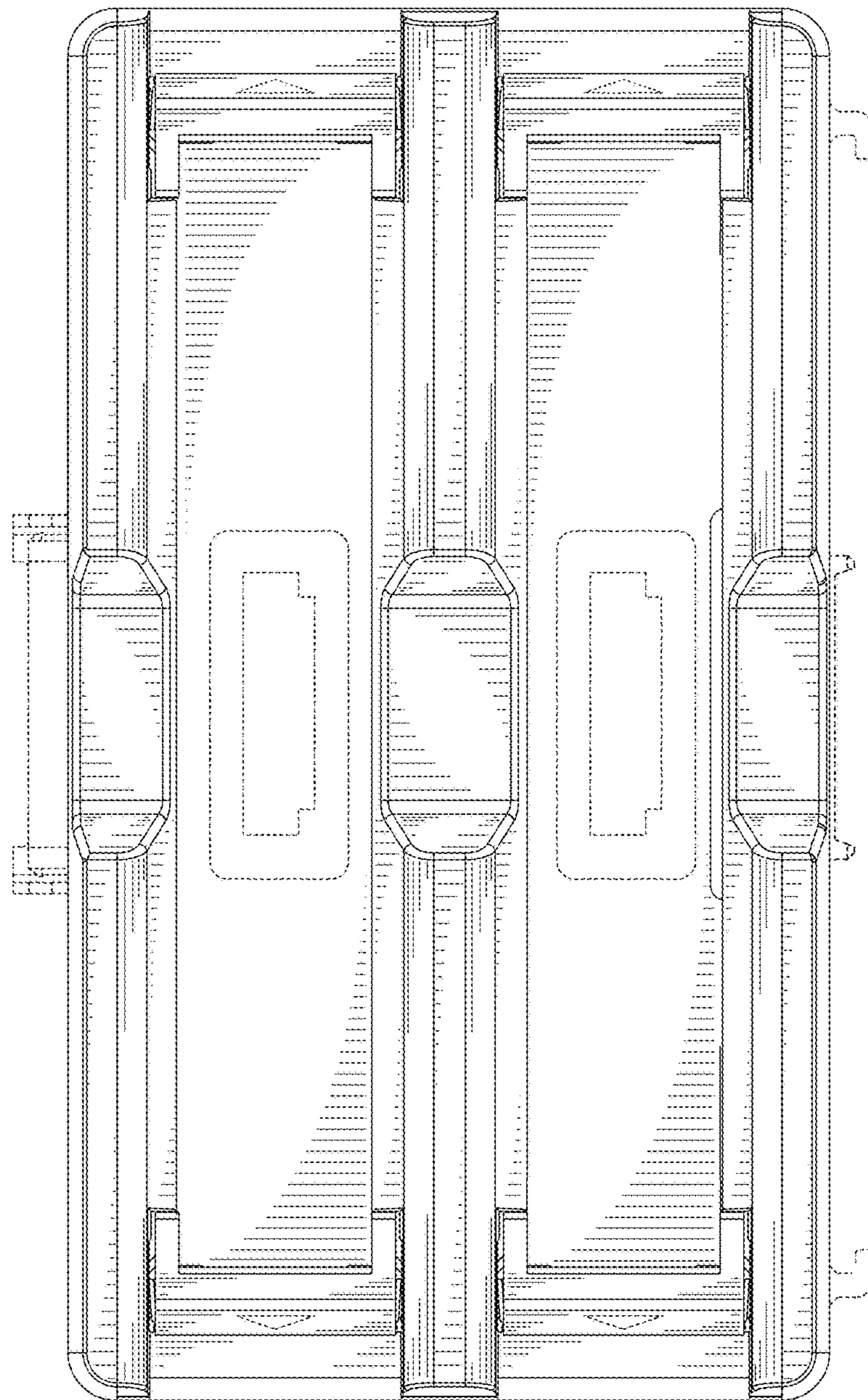


FIG. 3

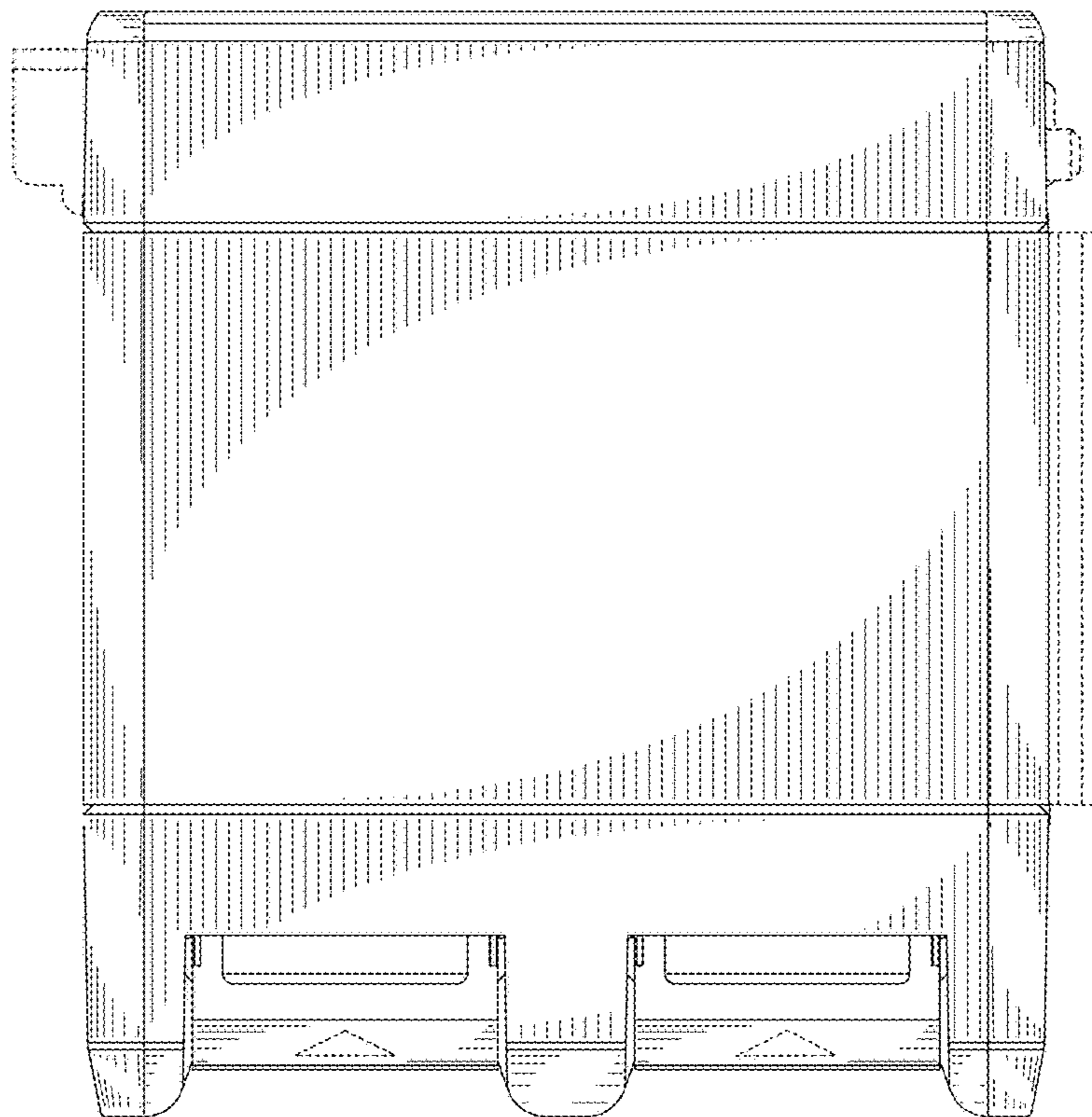


FIG. 4

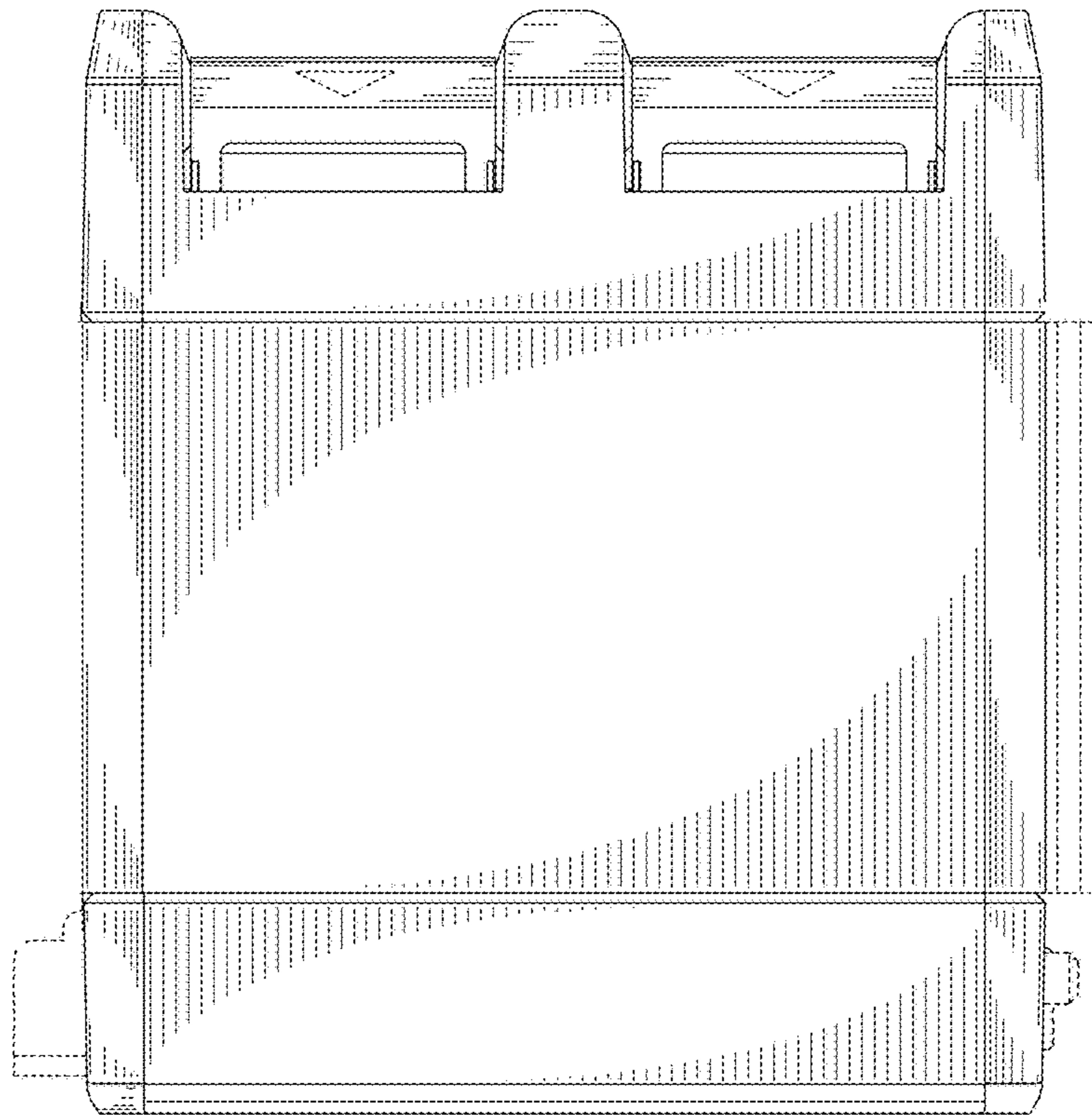


FIG. 5

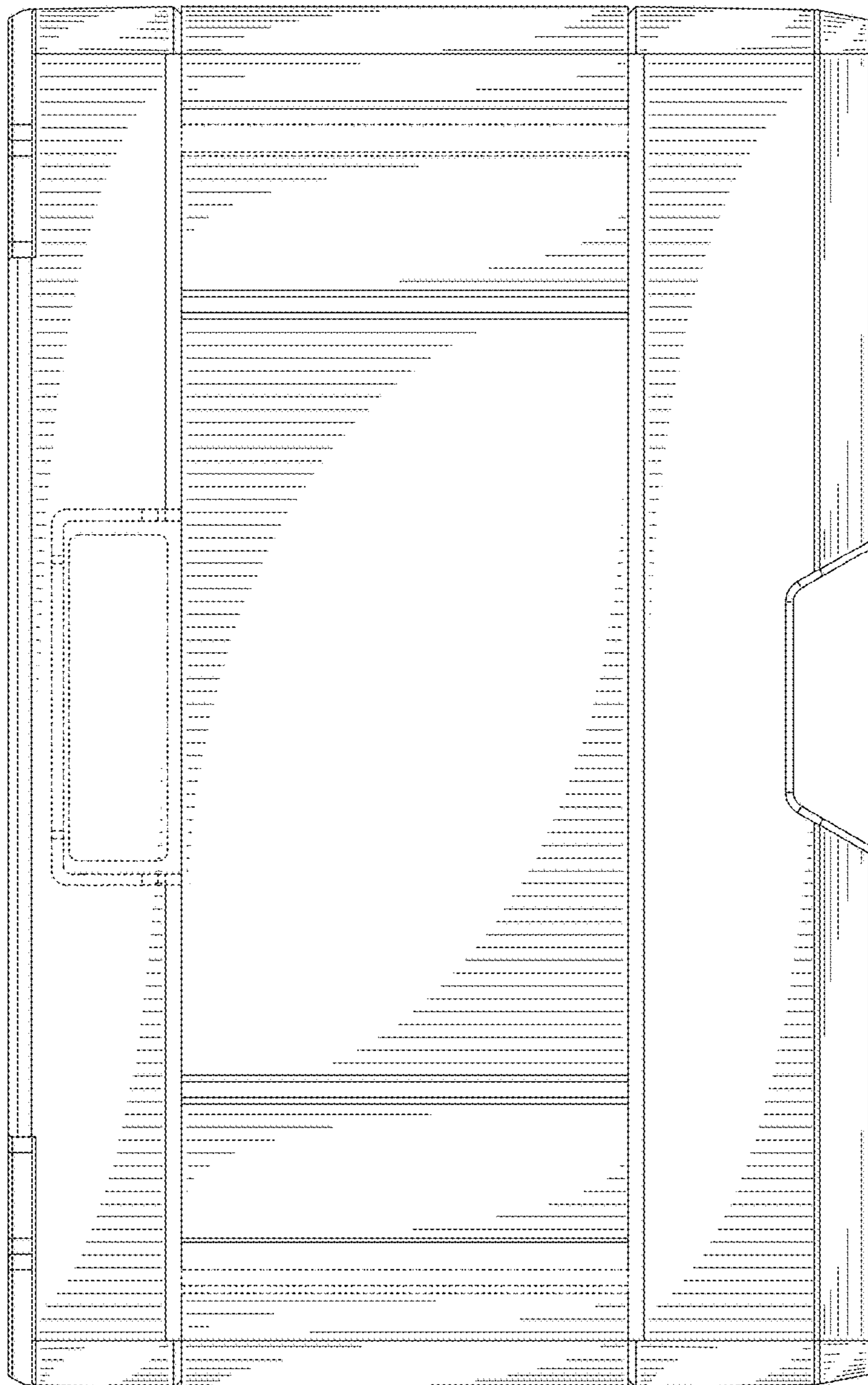


FIG. 6

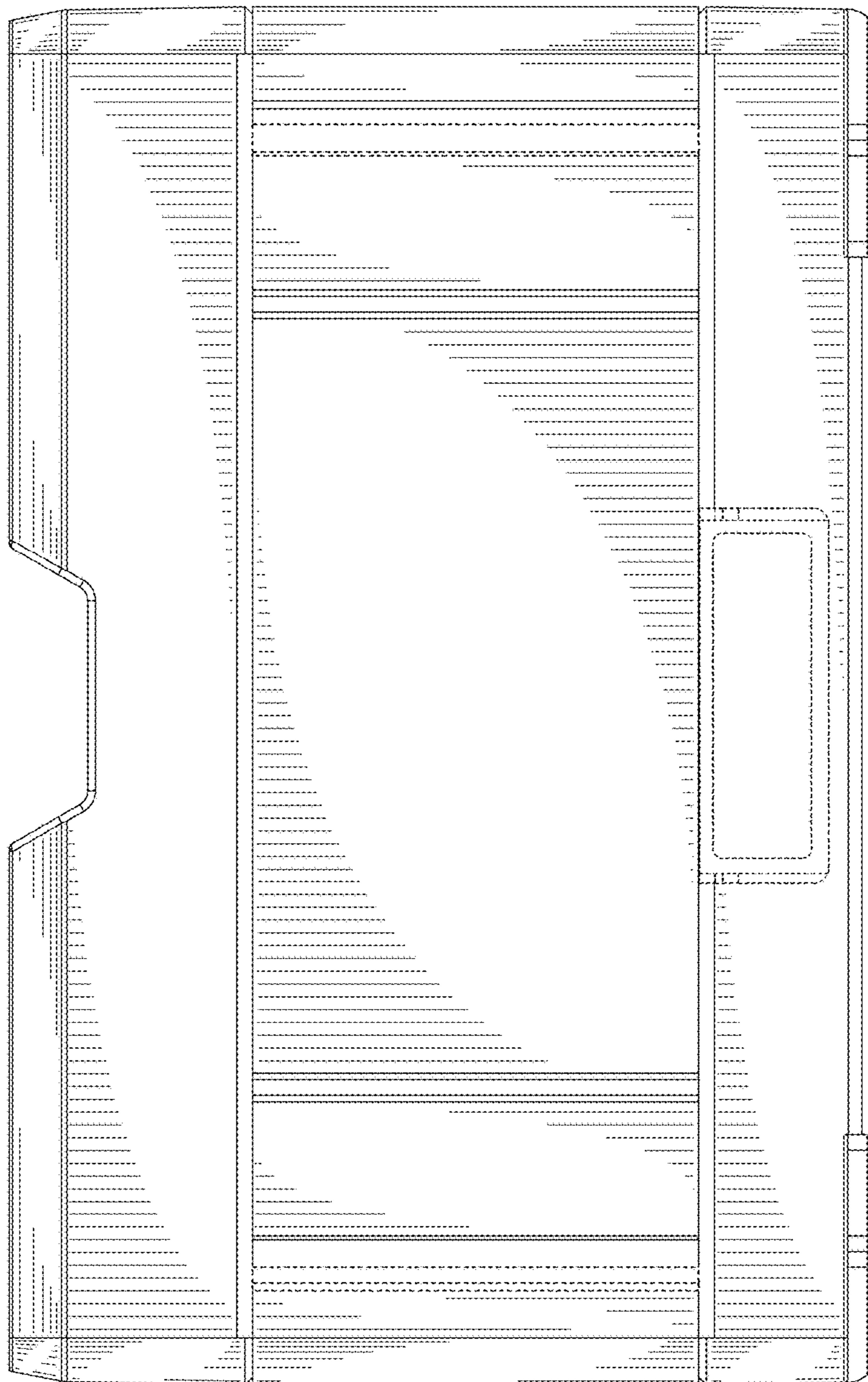


FIG. 7