



US00D861595S

(12) **United States Design Patent**
He

(10) **Patent No.:** **US D861,595 S**

(45) **Date of Patent:** **** Oct. 1, 2019**

(54) **ELECTRONIC CIGARETTE BATTERY**

(71) Applicant: **SKK TECHNOLOGY CO., LTD.**,
Shenzhen (CN)

(72) Inventor: **Xiaosheng He**, Shenzhen (CN)

(**) Term: **15 Years**

(21) Appl. No.: **29/678,113**

(22) Filed: **Jan. 25, 2019**

(51) **LOC (12) Cl.** **13-02**

(52) **U.S. Cl.**
USPC **D13/103; D27/101**

(58) **Field of Classification Search**
USPC D13/107-110, 118-119, 184, 199, 103;
D14/251, 253, 432, 434; D27/101, 163,
D27/193, 194
CPC Y02E 60/12; Y02T 90/14; Y02T 90/122;
Y02T 90/128; Y02T 90/163; Y02T
10/7005; Y02T 10/7088; H02J 7/025;
H02J 7/0042; H02J 7/0044; H02J 7/0045;
H02J 7/0003; H01F 38/14; H01R
13/6675; H01M 2/1022; H01M 2/1055;
H01M 10/44; H01M 10/46; H01M
10/425; B60L 11/182

See application file for complete search history.

(56) **References Cited**

U.S. PATENT DOCUMENTS

4,993,435	A	*	2/1991	McCann	A24F 13/00
						131/175
D346,878	S	*	5/1994	Gee	D27/194
D368,552	S	*	4/1996	Adams	D27/194
D433,532	S	*	11/2000	Higgins	D27/186
D671,677	S		11/2012	Wu		
D682,196	S	*	5/2013	Leung	D13/103
D721,646	S	*	1/2015	Kim	D13/103

D745,213	S	*	12/2015	Alima	D27/143
D758,308	S	*	6/2016	Choo	D13/108
D758,656	S	*	6/2016	Freshwater	D27/163
D758,965	S	*	6/2016	Jen	D13/108
D760,429	S	*	6/2016	Emarlou	D27/163
D775,762	S	*	1/2017	Chen	D27/101
D776,051	S	*	1/2017	Wang	D13/103
D788,362	S	*	5/2017	Qiu	D27/101
D800,377	S	*	10/2017	Liu	D27/101
D805,028	S	*	12/2017	Liu	D13/103
D809,191	S	*	1/2018	Li	D27/101
D821,305	S	*	6/2018	Liu	D13/103
D824,585	S	*	7/2018	Miller	D27/101
D825,455	S	*	8/2018	Liu	D13/103
D827,566	S	*	9/2018	Liu	D13/103
D842,243	S	*	3/2019	Qiu	D13/108

* cited by examiner

Primary Examiner — Rosemary K Tarcza

(74) *Attorney, Agent, or Firm* — Erson IP (Nelson IP)

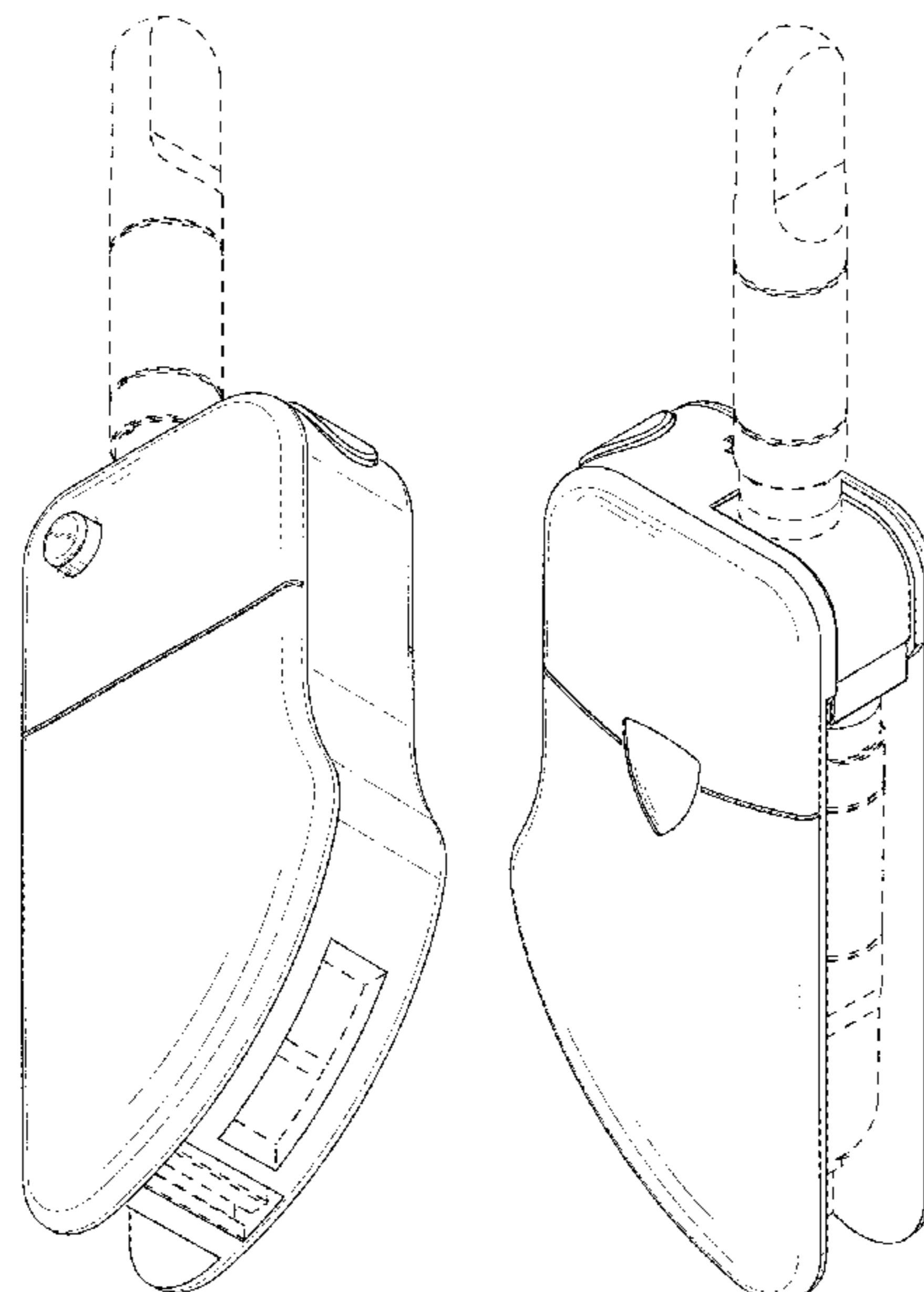
(57) **CLAIM**

The ornamental design for an electronic cigarette battery, as shown and described.

DESCRIPTION

FIG. 1 is a perspective view of an electronic cigarette battery showing my new design;
FIG. 2 is another perspective view thereof;
FIG. 3 is a front view thereof;
FIG. 4 is a rear view thereof;
FIG. 5 is a left side view thereof;
FIG. 6 is a right side view thereof;
FIG. 7 is a top plan view thereof; and,
FIG. 8 is a bottom plan view thereof.
The broken lines are for the purposes of illustrating portions of the electronic cigarette battery and form no part of the claimed design.

1 Claim, 8 Drawing Sheets



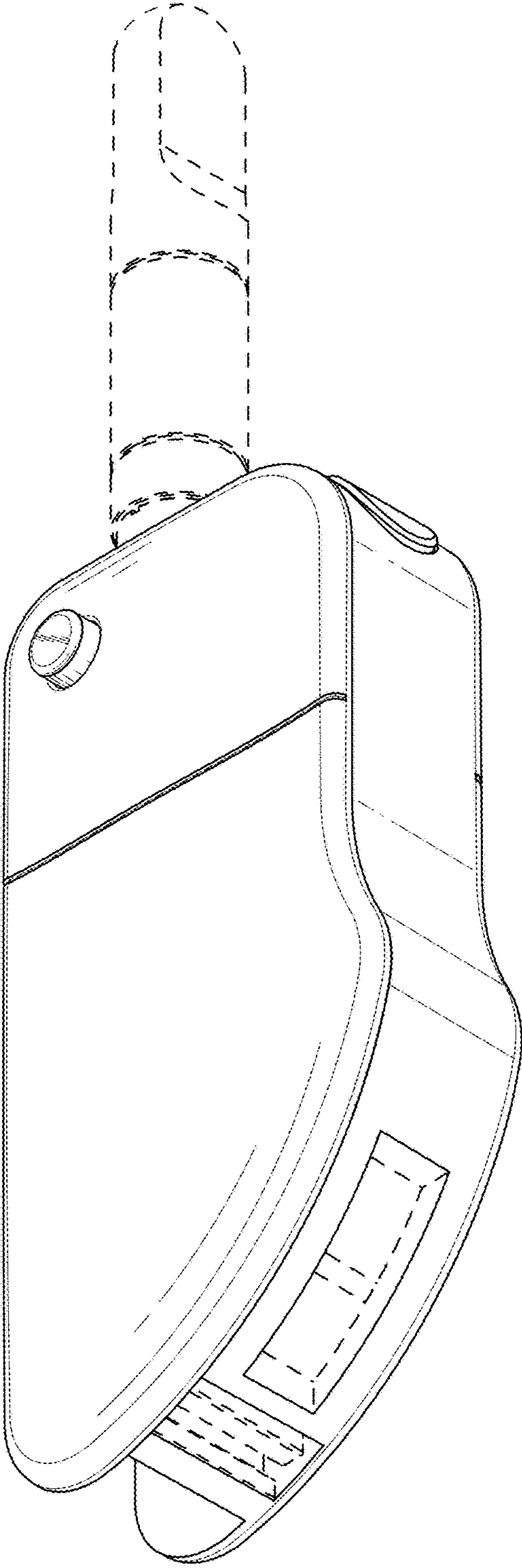


Fig.1

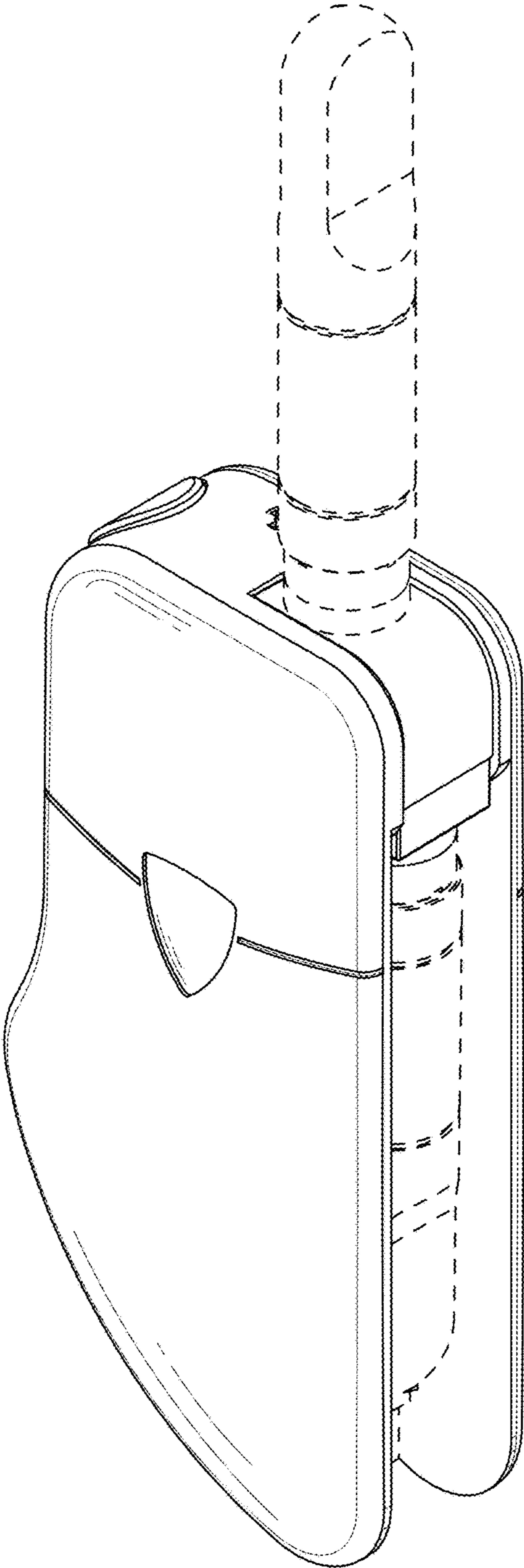


Fig.2

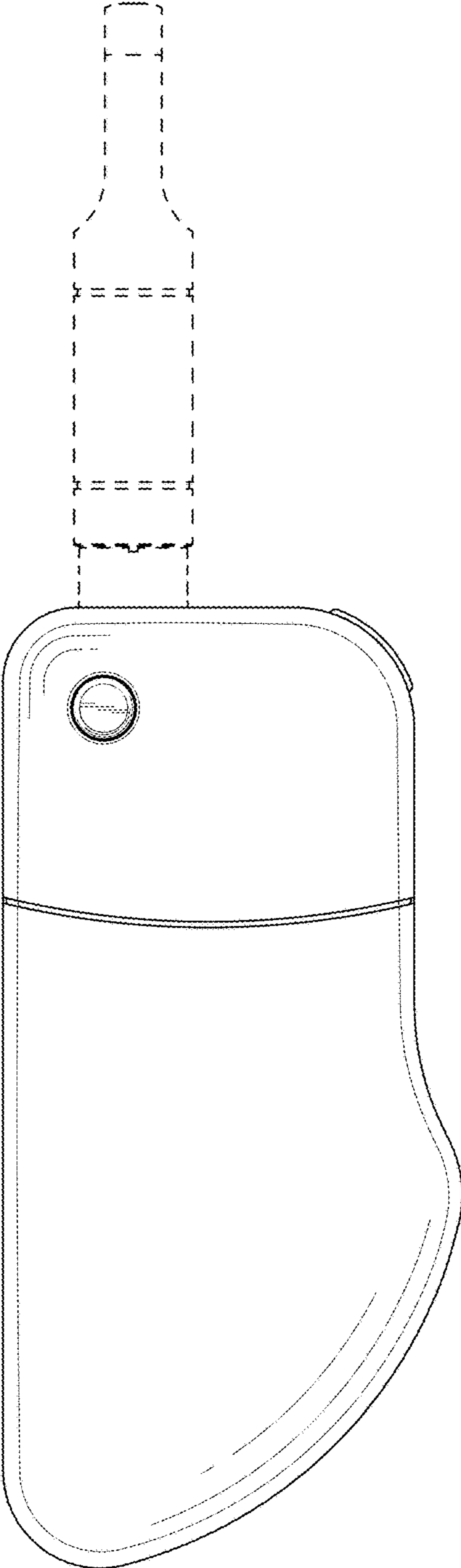


Fig.3

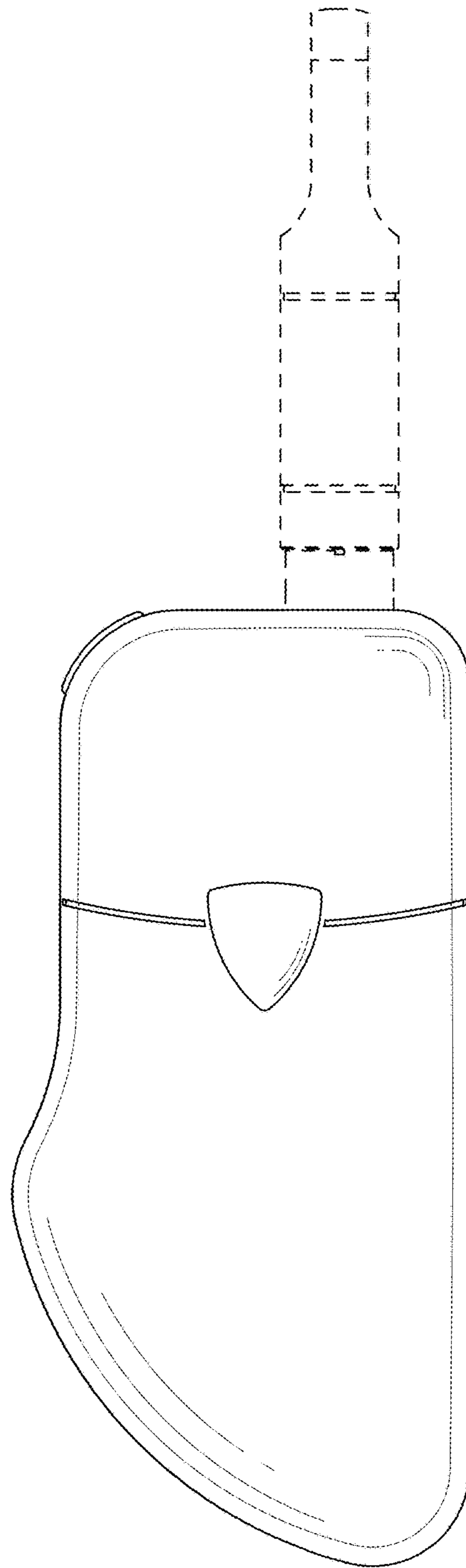


Fig.4

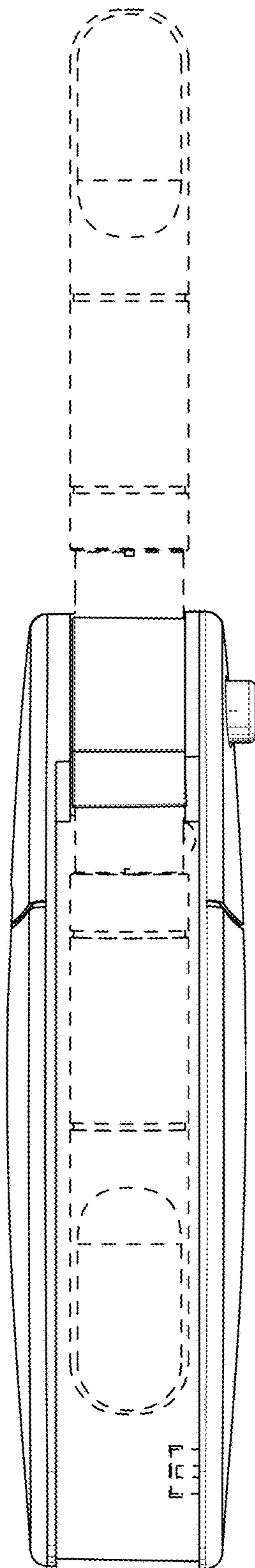


Fig.5

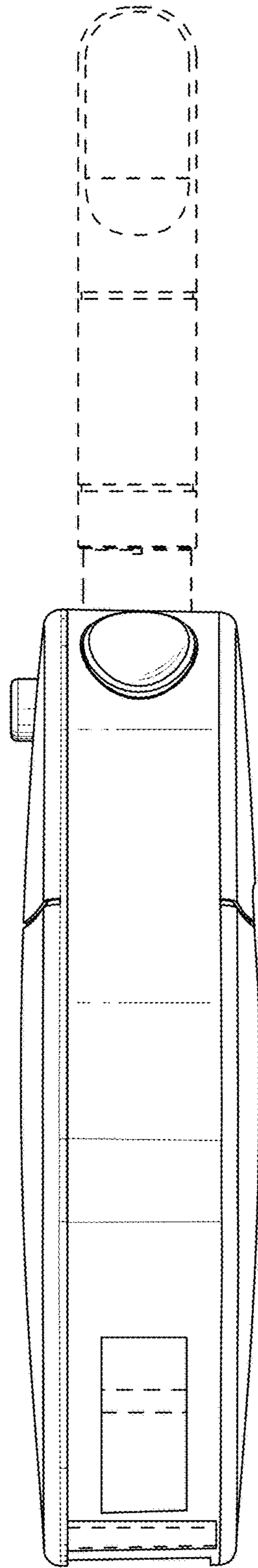


Fig.6

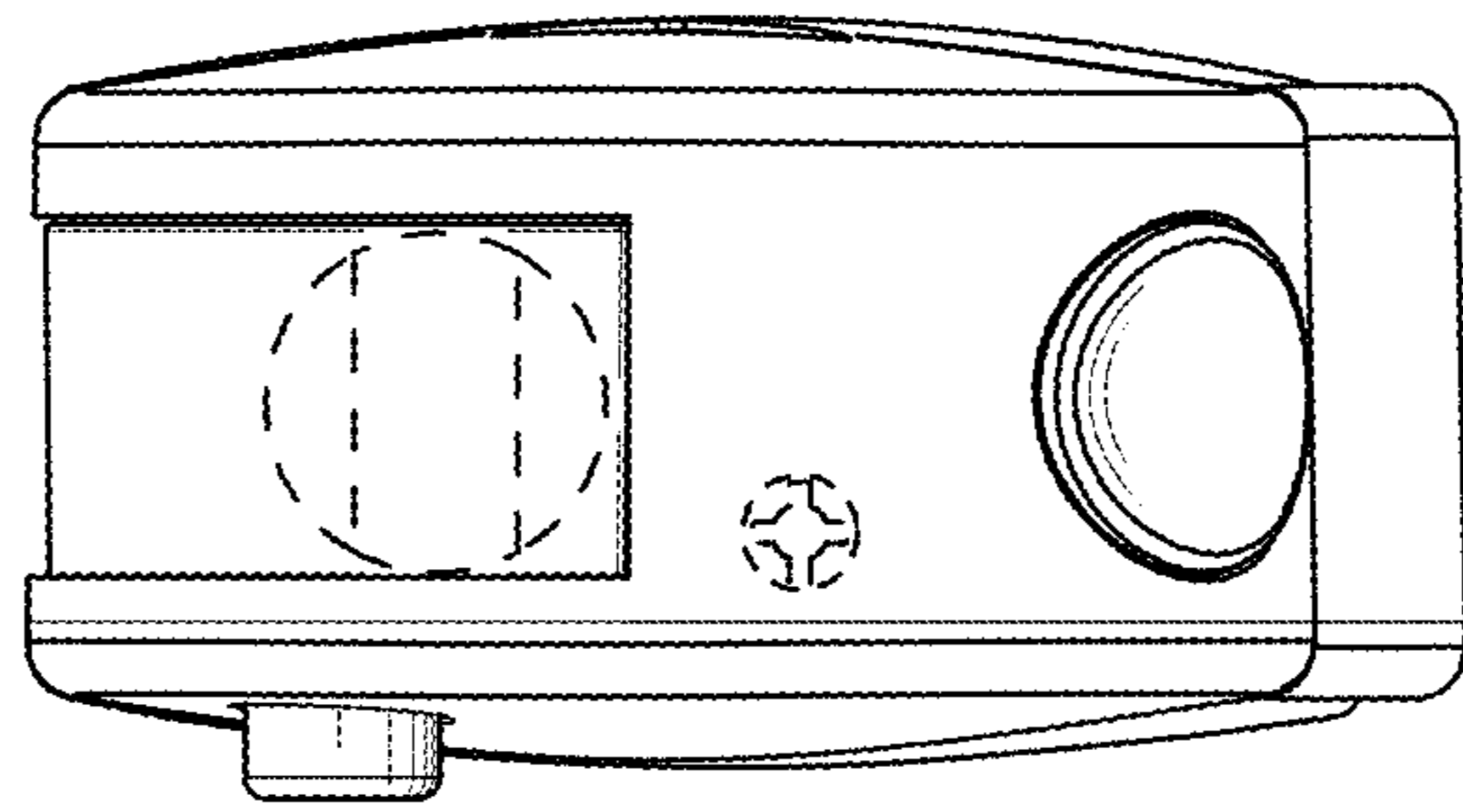


Fig.7

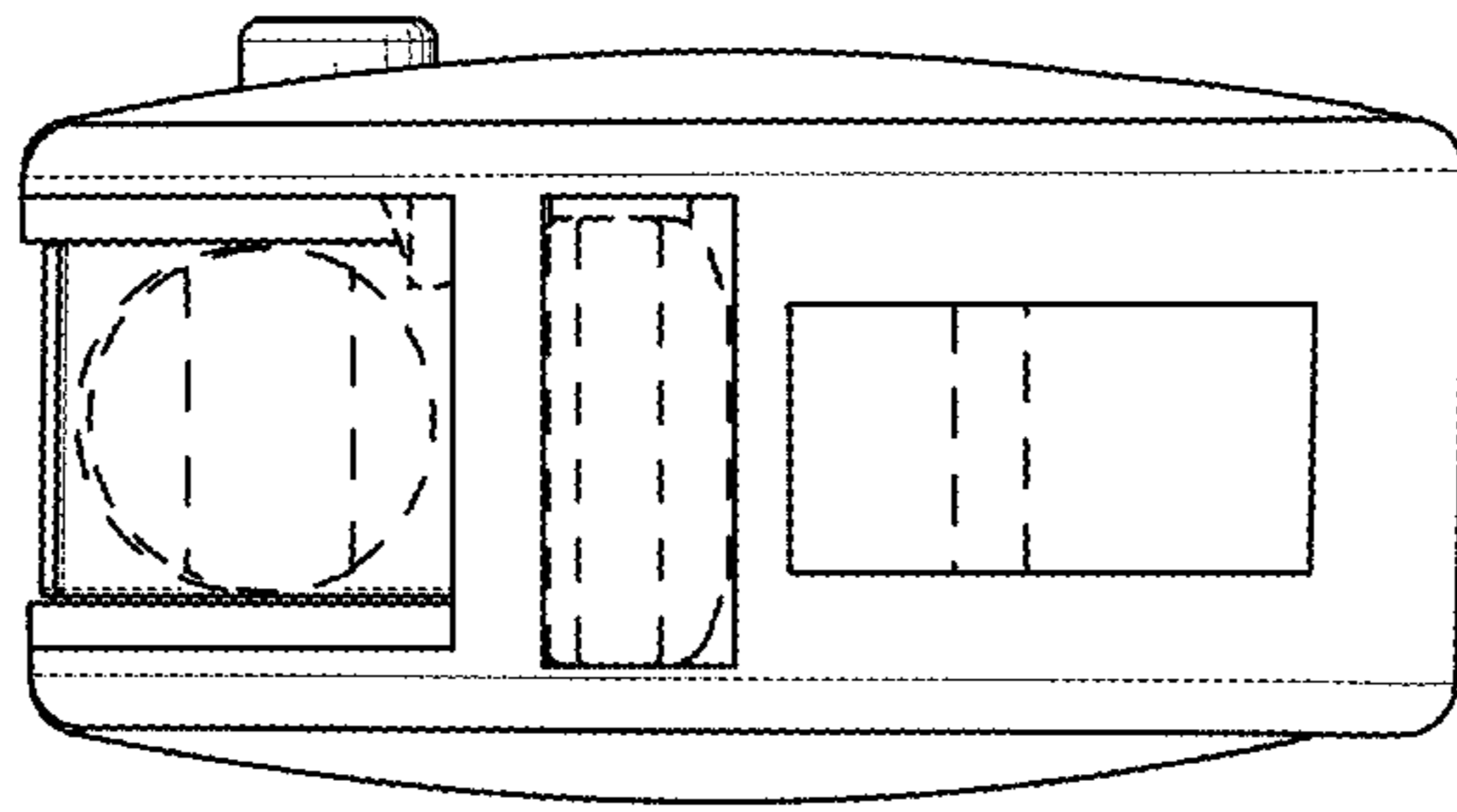


Fig.8