

US00D861593S

(12) **United States Design Patent**  
**Nakajima et al.**

(10) **Patent No.:** **US D861,593 S**  
(45) **Date of Patent:** **\*\* Oct. 1, 2019**

(54) **BATTERY MODULE**

(71) Applicant: **Hitachi Automotive Systems, Ltd.**,  
Hitachinaka-shi, Ibaraki (JP)

(72) Inventors: **Takayuki Nakajima**, Ibaraki (JP);  
**Hisayuki Suematsu**, Ibaraki (JP);  
**Youichi Nakano**, Ibaraki (JP)

(73) Assignee: **Hitachi Automotive Systems, Ltd.**,  
Hitachinaka-shi (JP)

(\*\*) Term: **15 Years**

(21) Appl. No.: **29/619,499**

(22) Filed: **Sep. 29, 2017**

(30) **Foreign Application Priority Data**

Mar. 31, 2017 (JP) ..... 2017-006919

(51) **LOC (12) Cl.** ..... **13-02**

(52) **U.S. Cl.**  
USPC ..... **D13/103**

(58) **Field of Classification Search**

USPC ..... D13/102-106, 110, 118-119, 184  
CPC ..... Y02E 60/12; Y02E 60/122; Y02E 60/124;  
Y02E 60/50; H01M 2/02; H01M 2/022;  
H01M 2/0202; H01M 2/0207; H01M  
2/0212; H01M 2/1061; H01M 2/1022;  
H01M 2/1055; H01M 2/1066; H01M  
2/105; H01M 2/204; H01M 2/1016;  
H01M 2200/00; H01M 10/4257; H01M  
10/0436; H01M 10/48; H01M 10/42

See application file for complete search history.

(56) **References Cited**

**U.S. PATENT DOCUMENTS**

D369,778 S \* 5/1996 Tamaki ..... D13/110  
D499,070 S \* 11/2004 Lavington ..... D13/119

D604,696 S \* 11/2009 Tasai ..... D13/104  
D623,127 S \* 9/2010 Seyama ..... D13/104  
D657,739 S \* 4/2012 Miyawaki ..... D13/104  
D686,148 S \* 7/2013 Inaba ..... D13/103  
D719,088 S \* 12/2014 Koebler ..... D13/104  
D742,307 S \* 11/2015 DeKeuster ..... D13/103  
D760,159 S \* 6/2016 DeKeuster ..... D13/103  
D811,996 S \* 3/2018 Genoa ..... D13/103  
D819,561 S \* 6/2018 Wang ..... D13/103  
D821,968 S \* 7/2018 Zhao ..... D13/103  
D825,465 S \* 8/2018 Deng ..... D13/119

**FOREIGN PATENT DOCUMENTS**

JP D 1127191 S 11/2001

\* cited by examiner

*Primary Examiner* — Rosemary K Tarcza

*Assistant Examiner* — Nathaniel D. Buckner

(74) *Attorney, Agent, or Firm* — Crowell & Moring LLP

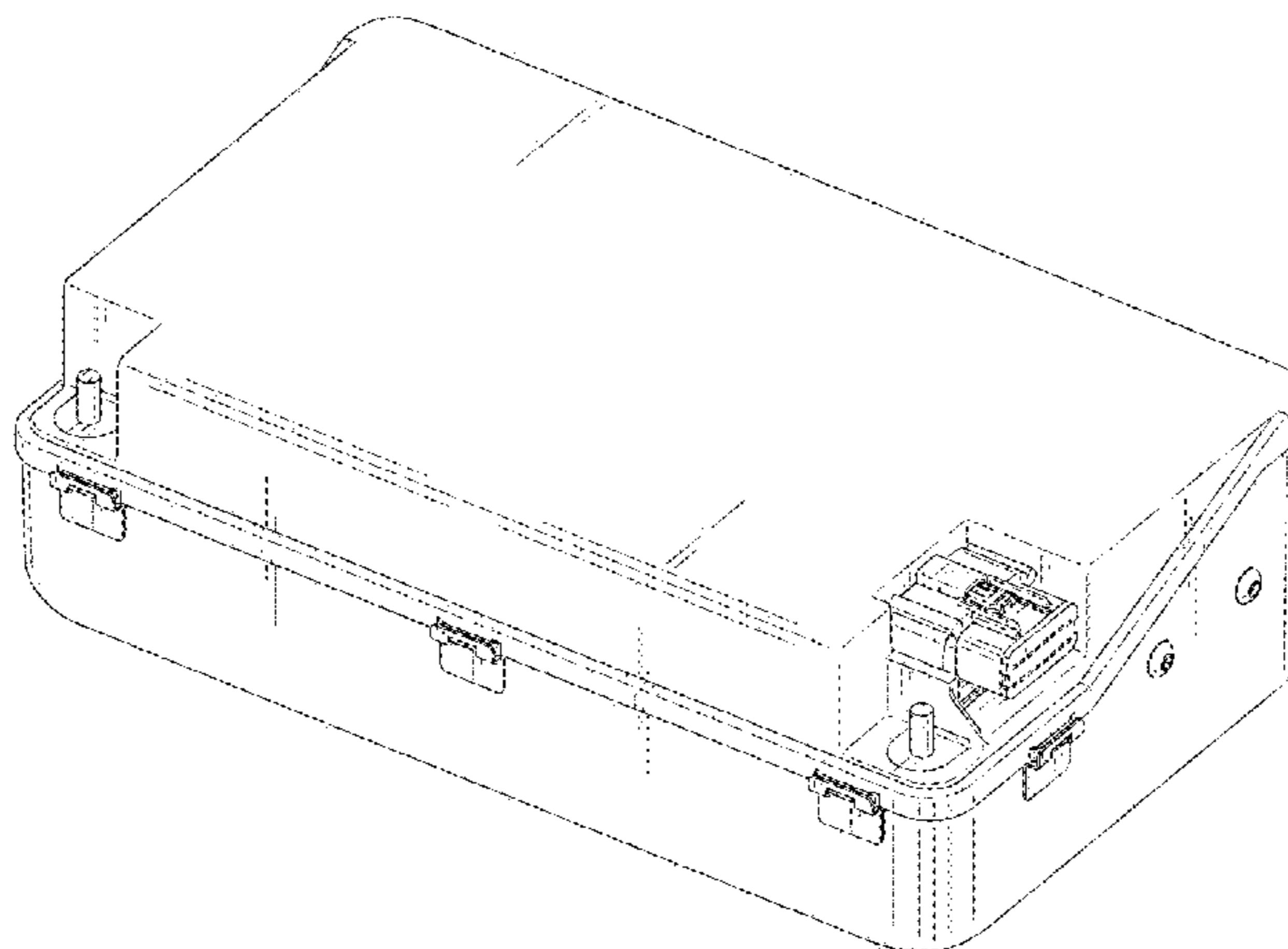
(57) **CLAIM**

The ornamental design for a battery module, as shown and described.

**DESCRIPTION**

FIG. 1 is a front, top and right side perspective view of a battery module according to the design; FIG. 2 is a rear, top and left side perspective view thereof; FIG. 3 is a front elevational view thereof; FIG. 4 is a rear elevational view thereof; FIG. 5 is a right side elevational view thereof; FIG. 6 is a left side elevational view thereof; FIG. 7 is a top plan view thereof; and, FIG. 8 is a bottom plan view thereof. The broken lines in the figures depict portions of the article which form no part of the claimed design.

**1 Claim, 5 Drawing Sheets**



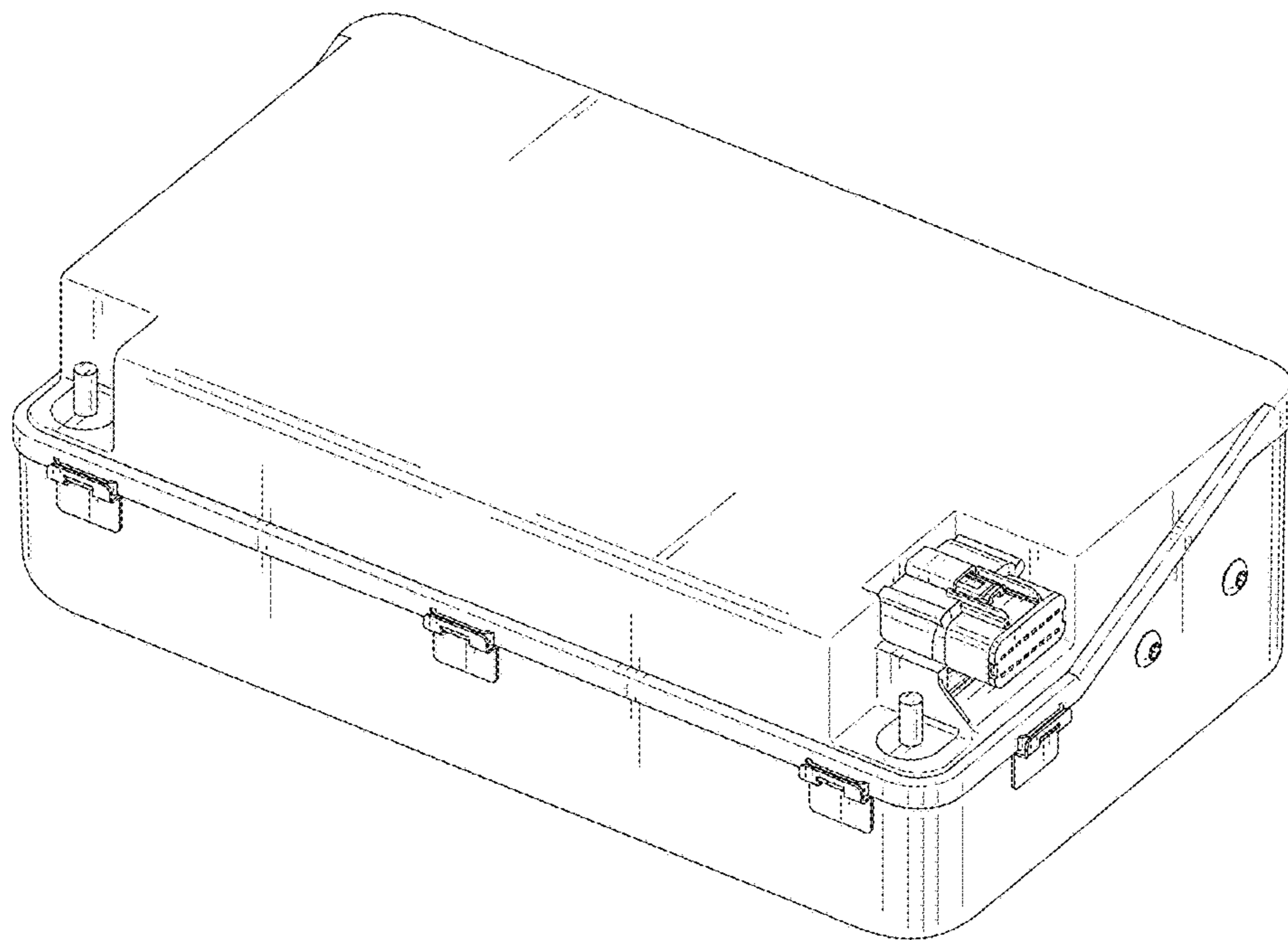


FIG. 1

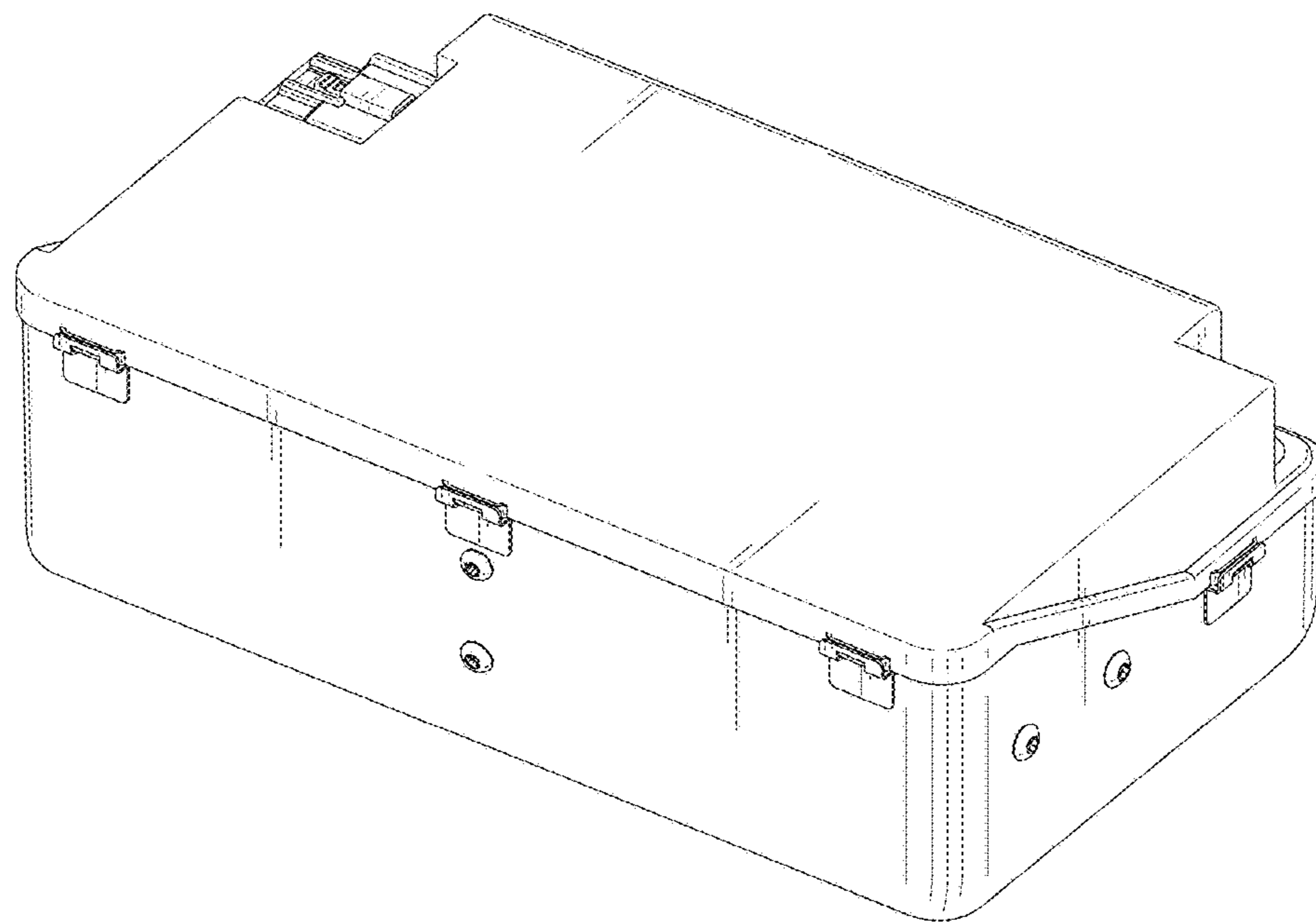


FIG. 2

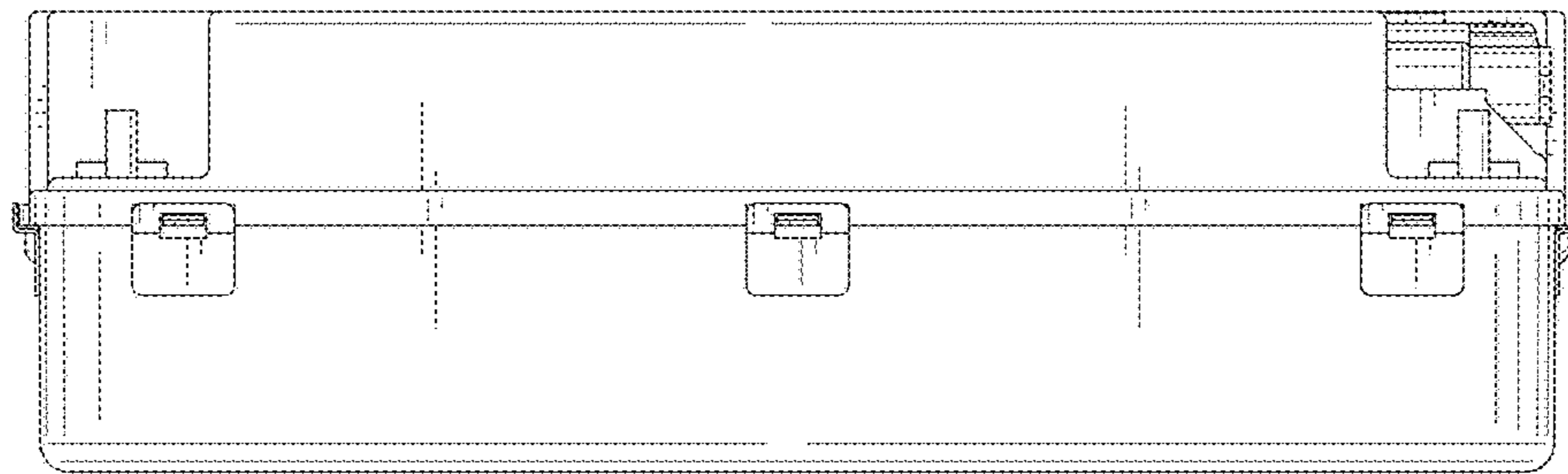


FIG. 3

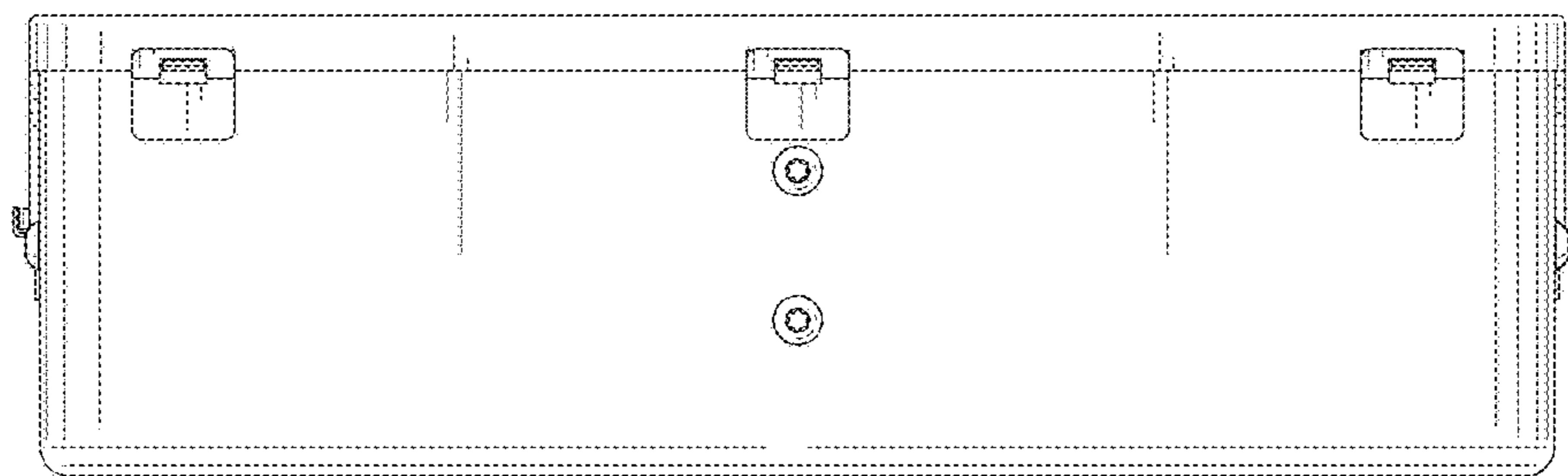


FIG. 4

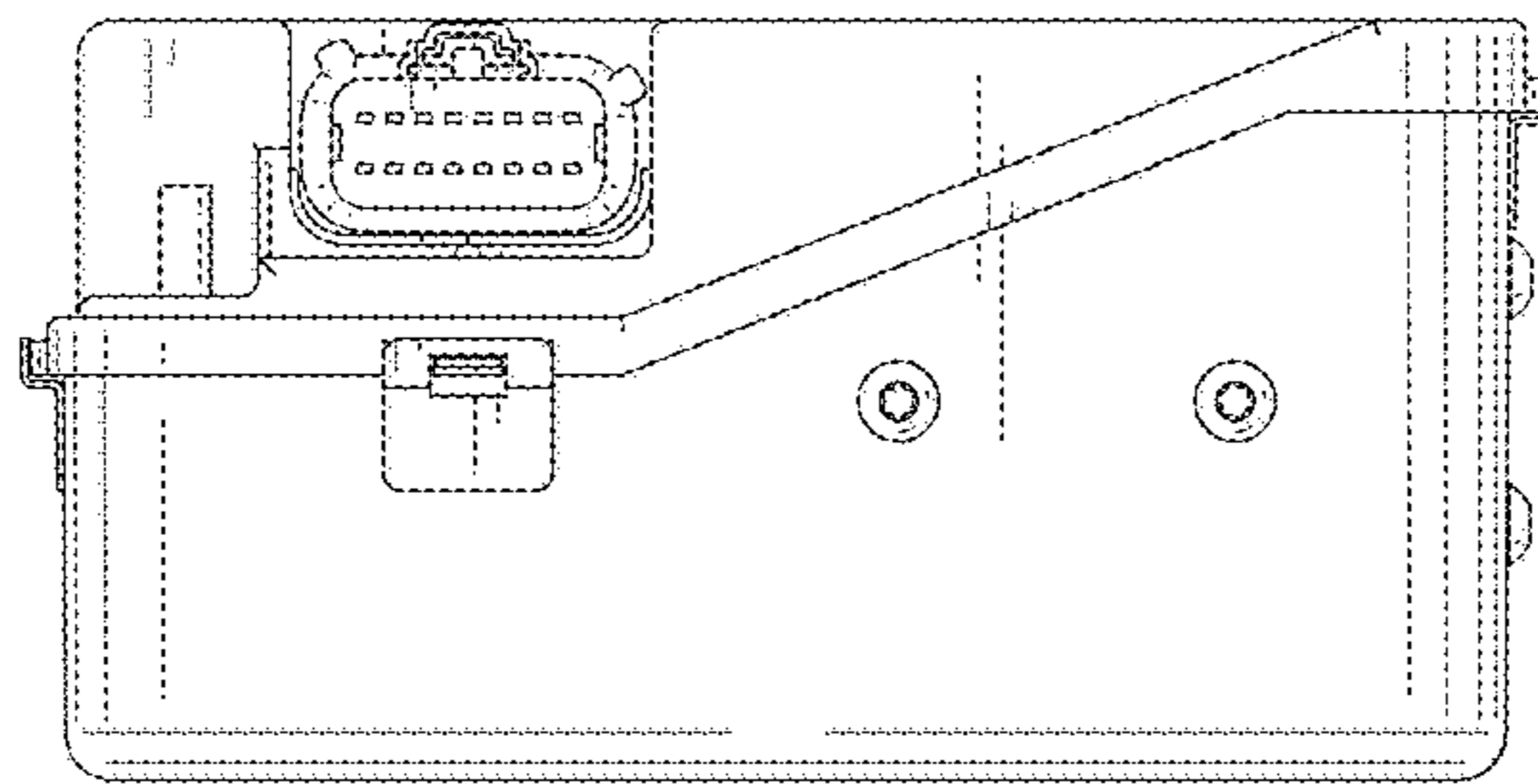


FIG. 5

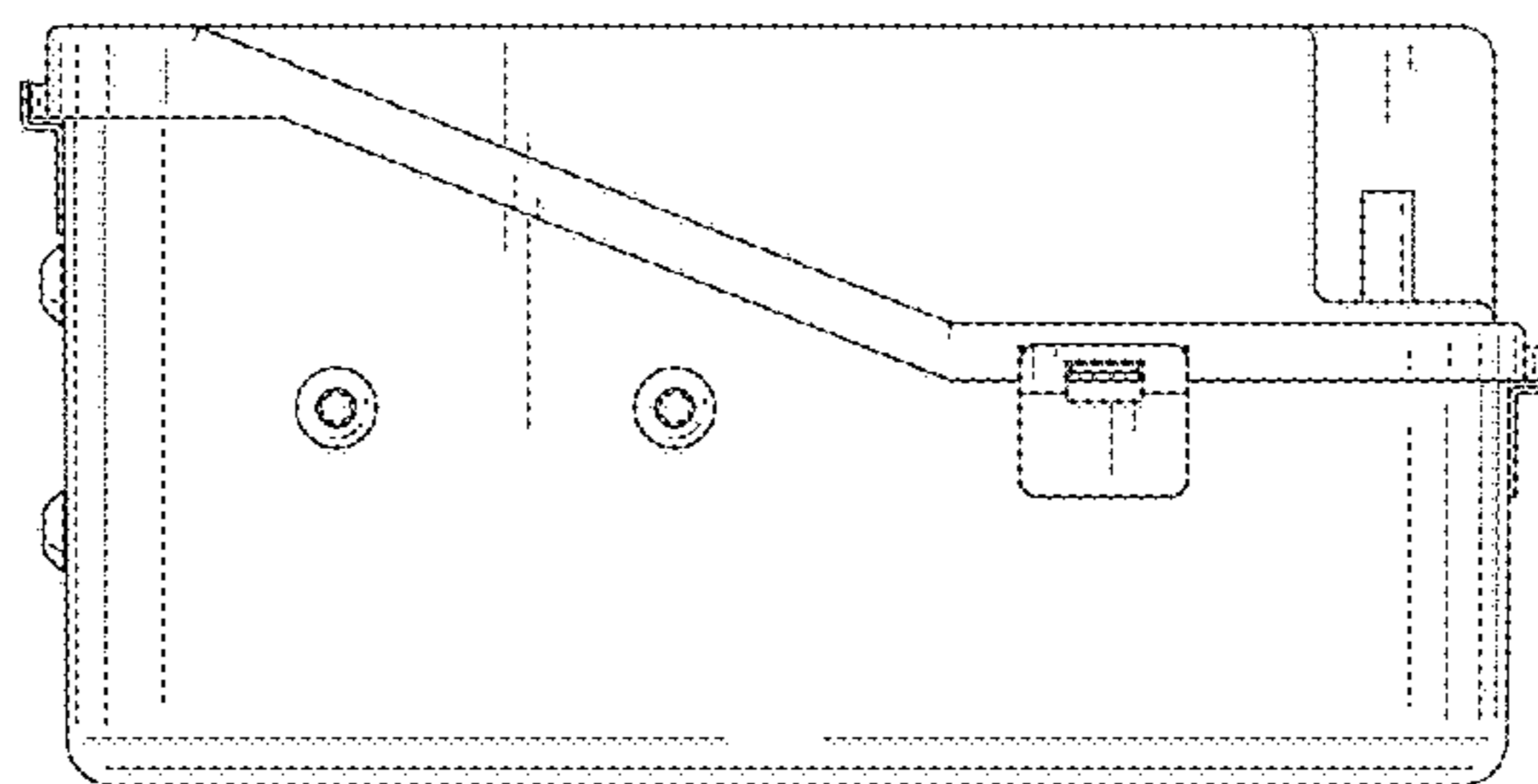


FIG. 6

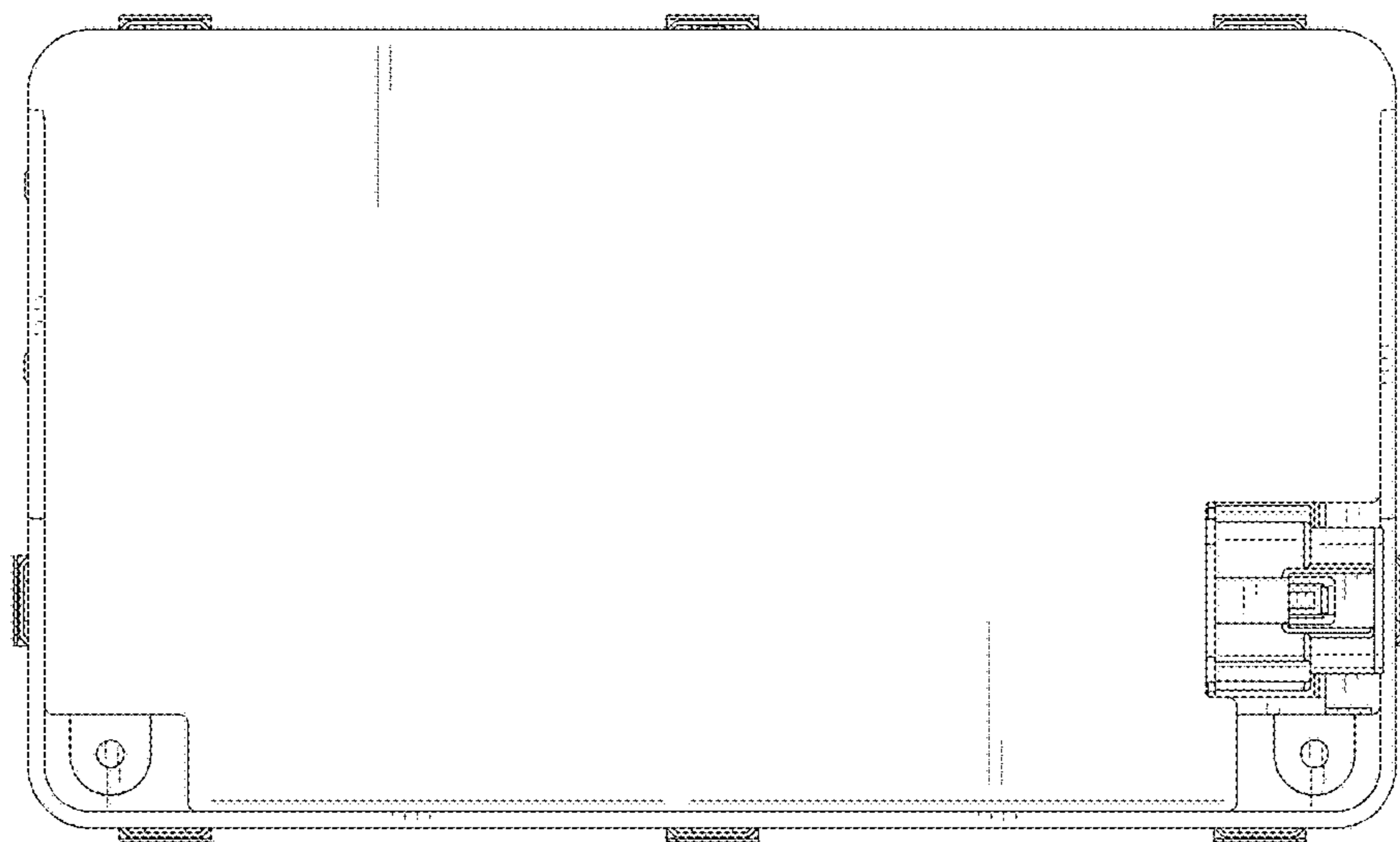


FIG. 7

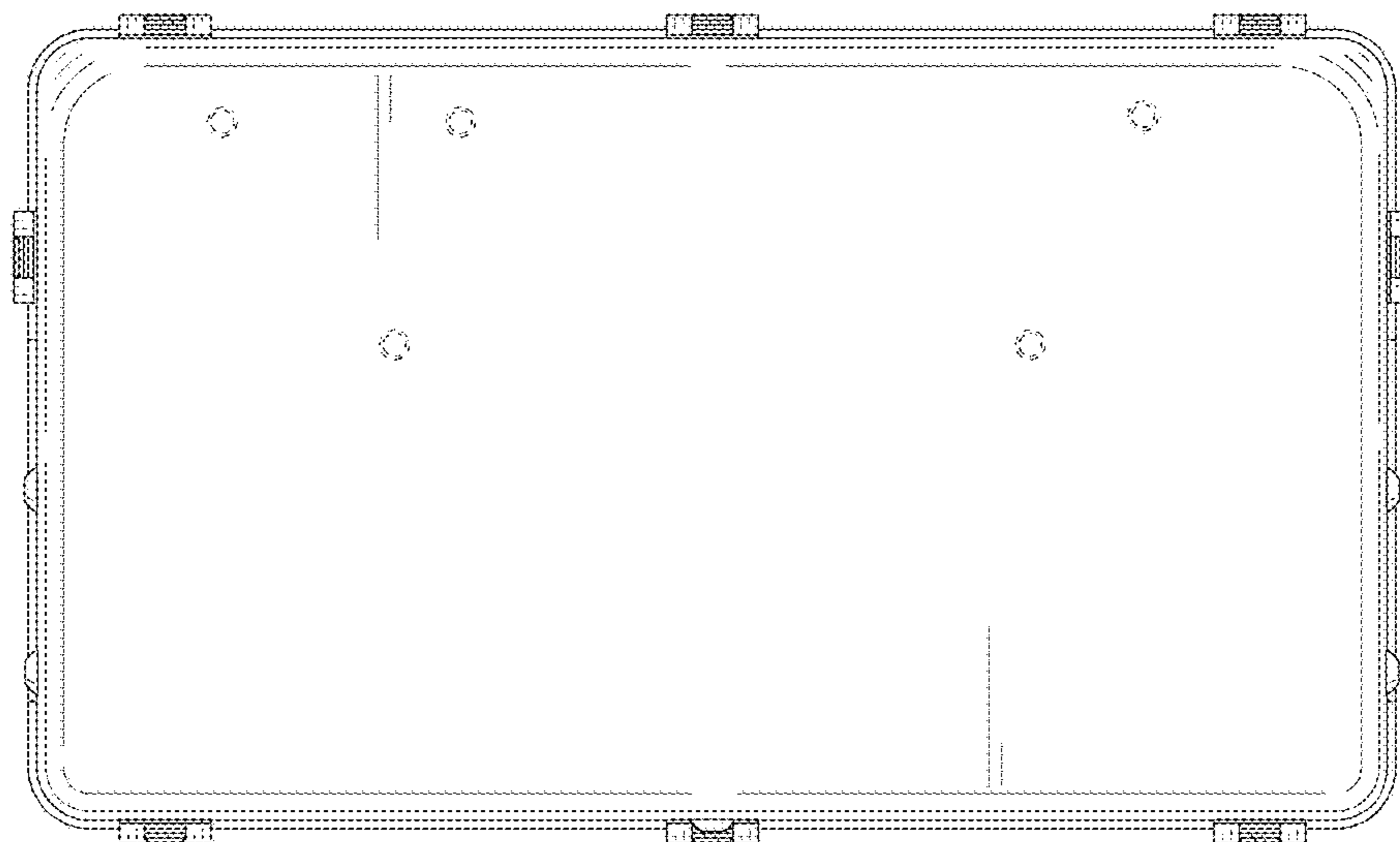


FIG. 8