



US00D861590S

(12) **United States Design Patent**
Nguyen

(10) **Patent No.:** **US D861,590 S**

(45) **Date of Patent:** **** *Oct. 1, 2019**

(54) **WIND POWER GENERATION APPARATUS**

(71) Applicant: **NGUYEN CHI CO., LTD.**, Ho Chi Minh (VN)

(72) Inventor: **Le Thanh Nguyen**, Ho Chi Minh (VN)

(73) Assignee: **NGUYEN CHI CO., LTD.**, Ho Chi Minh (VN)

(*) Notice: This patent is subject to a terminal disclaimer.

(**) Term: **15 Years**

(21) Appl. No.: **29/604,432**

(22) Filed: **May 17, 2017**

(30) **Foreign Application Priority Data**

Nov. 17, 2016 (JP) 2016-25035

(51) **LOC (12) Cl.** **13-02**

(52) **U.S. Cl.**
USPC **D13/102**

(58) **Field of Classification Search**
USPC D13/101, 102, 103, 104, 105, 106, 118, D13/184, 199

CPC H01L 31/00; H01L 31/02; H01L 31/042; H01L 31/045; H01L 31/046; H01L 31/048; H01L 31/05; H01L 31/052; H01L 31/0525; H02S 30/00; H02S 20/10; H02S 20/23; H02S 20/30; H02S 40/34; H02S 40/44; H02S 30/10; F24J 2/52; F03G 6/00

See application file for complete search history.

(56) **References Cited**

U.S. PATENT DOCUMENTS

D271,303 S * 11/1983 Ovelmen D15/1
D567,176 S * 4/2008 Borgen D13/115
D610,542 S * 2/2010 Raisanen D13/115
D715,223 S * 10/2014 Pepis D13/115

* cited by examiner

Primary Examiner — Daniel D Bui

(74) *Attorney, Agent, or Firm* — Oliff PLC

(57) **CLAIM**

The ornamental design for a wind power generation apparatus, as shown and described.

DESCRIPTION

FIG. 1 is a front, right-side, top perspective view of the wind power generation apparatus showing my new design.

FIG. 2 is a rear, right-side, top perspective view thereof;

FIG. 3 is a front elevational view thereof;

FIG. 4 is a top plan view thereof;

FIG. 5 is a right-side elevational view thereof;

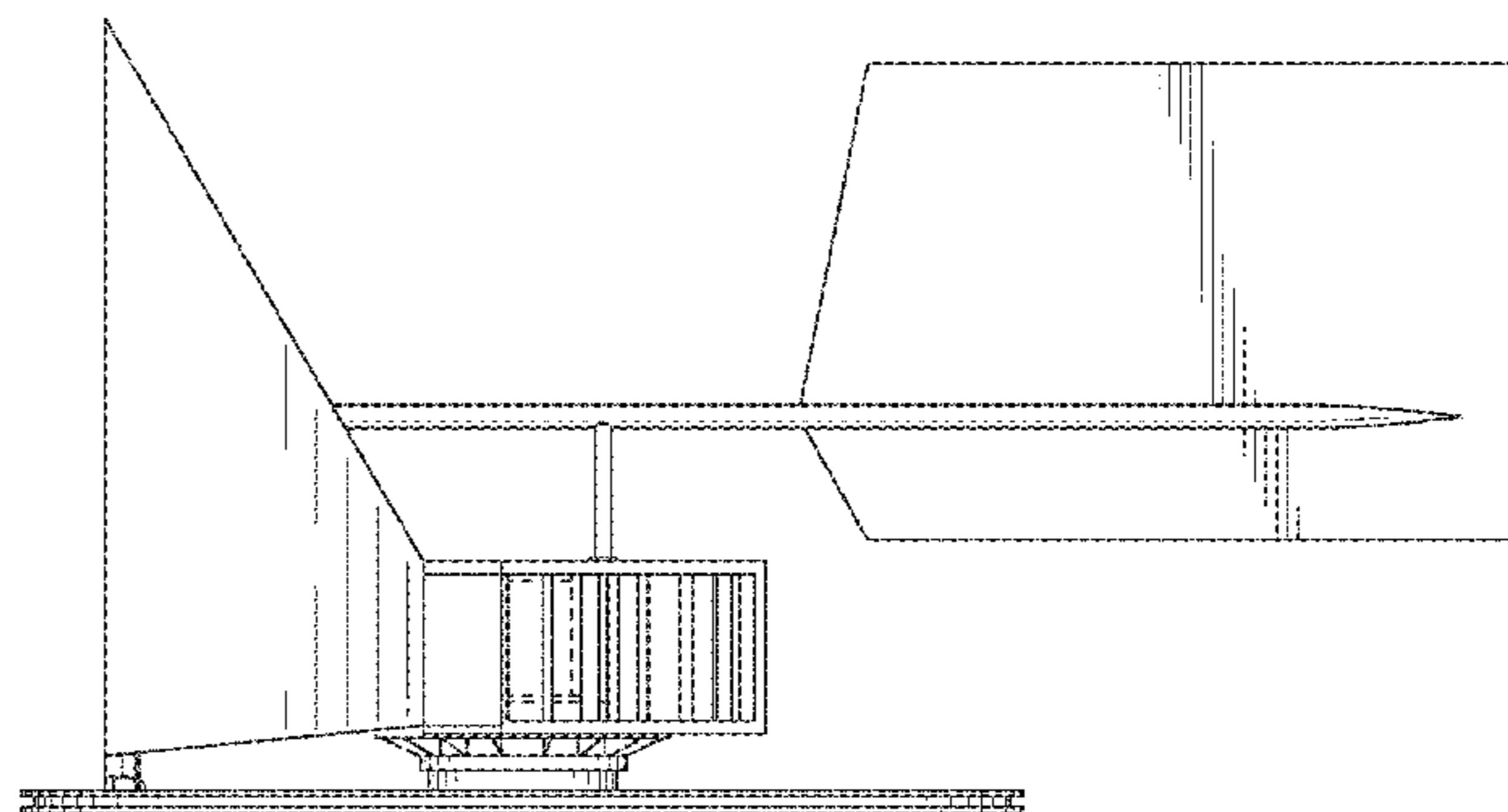
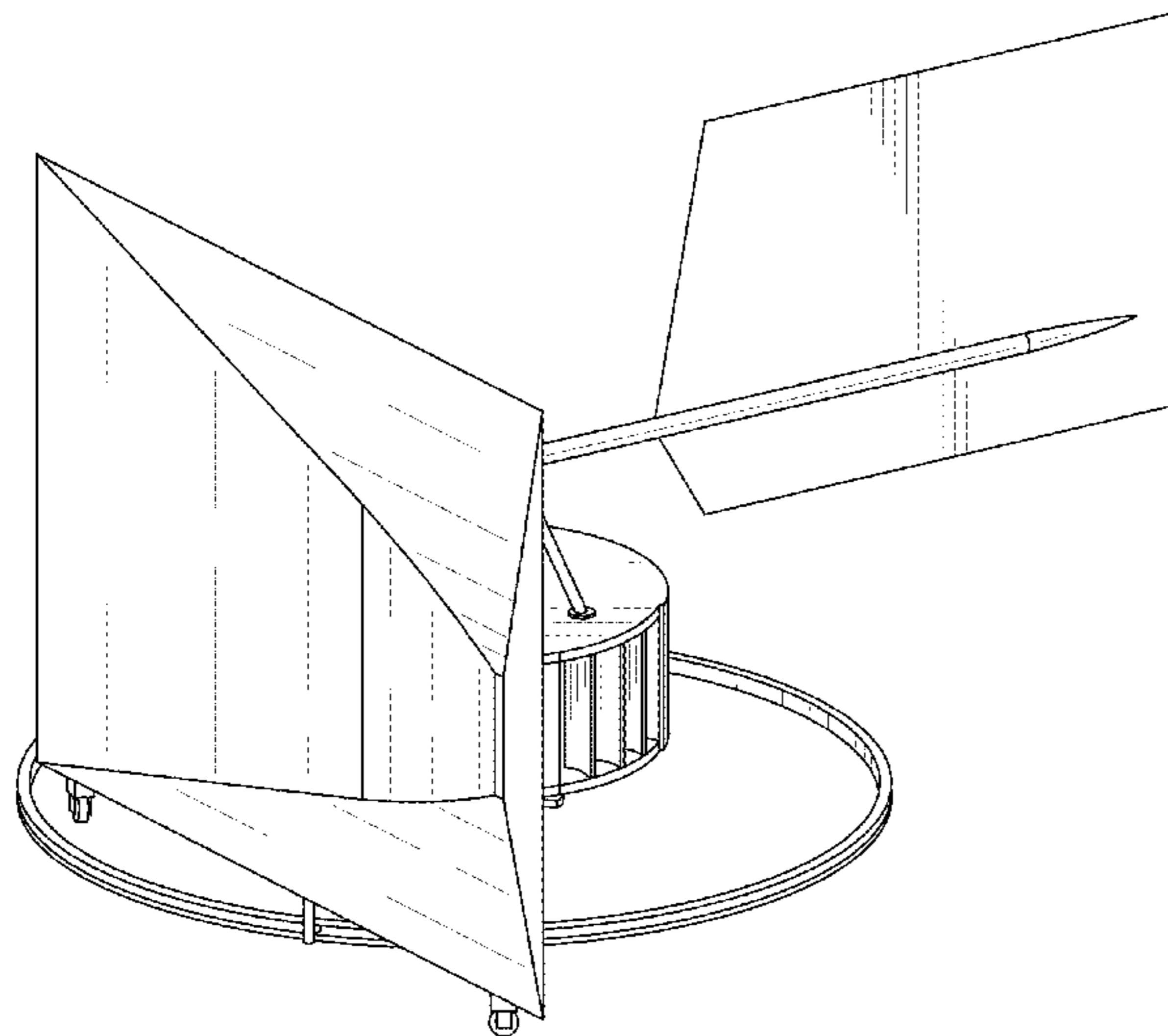
FIG. 6 is a left-side elevational view thereof;

FIG. 7 is a rear elevational view thereof; and,

FIG. 8 is a bottom plan view thereof.

The broken lines depict unclaimed portions of the wind power generation apparatus, and thus from no part of the claimed design.

1 Claim, 8 Drawing Sheets



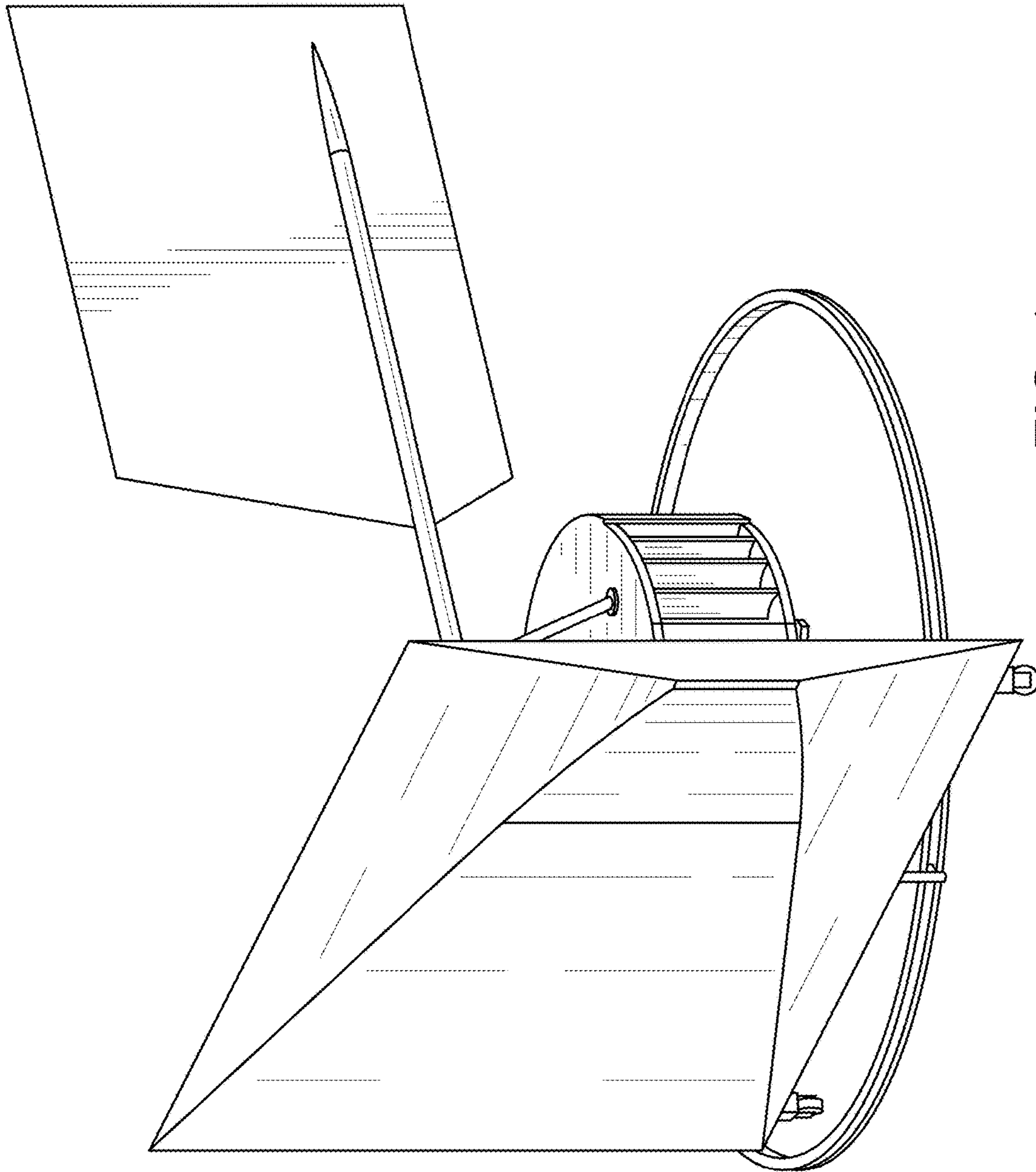


FIG. 1

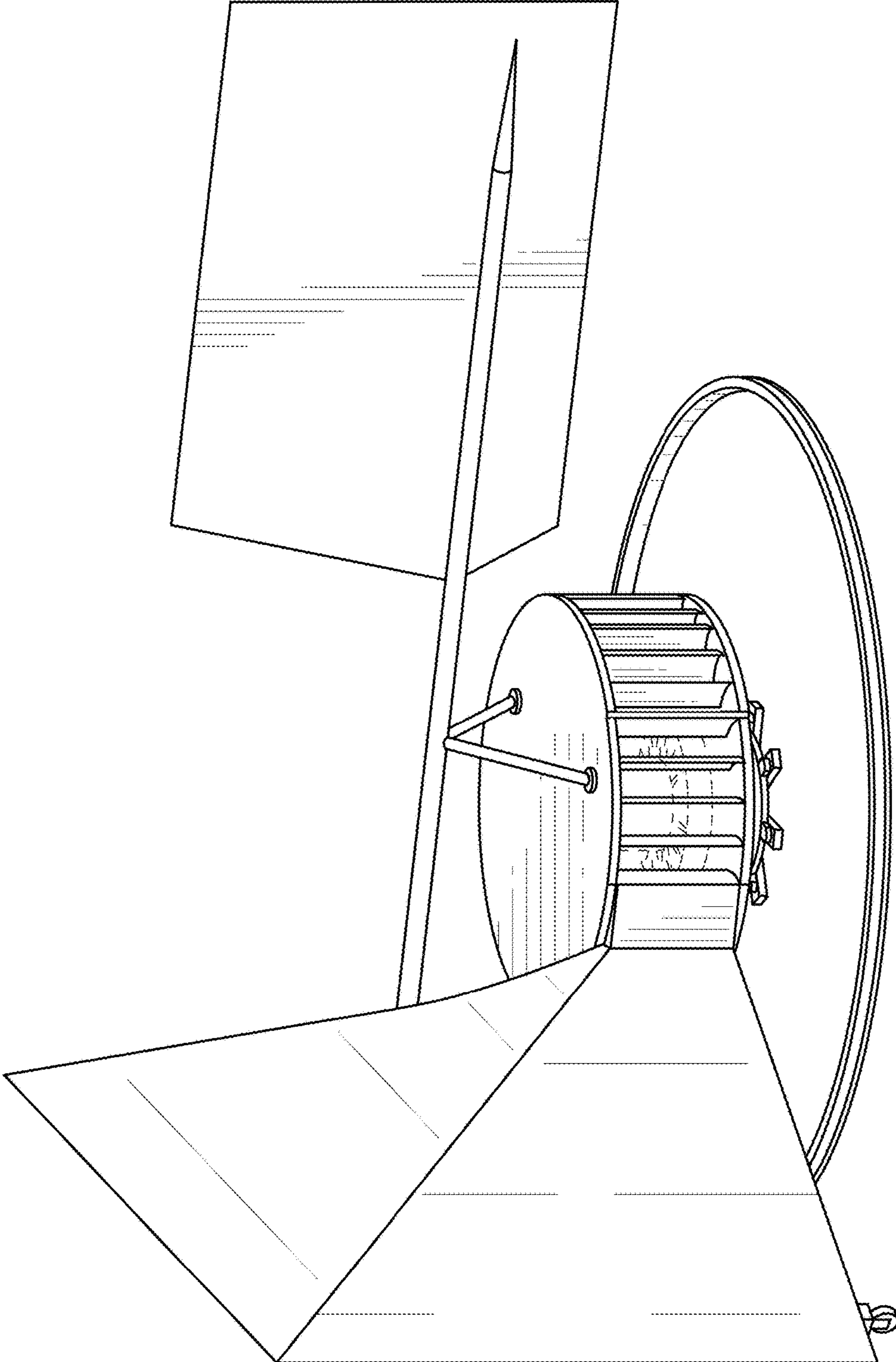


FIG. 2

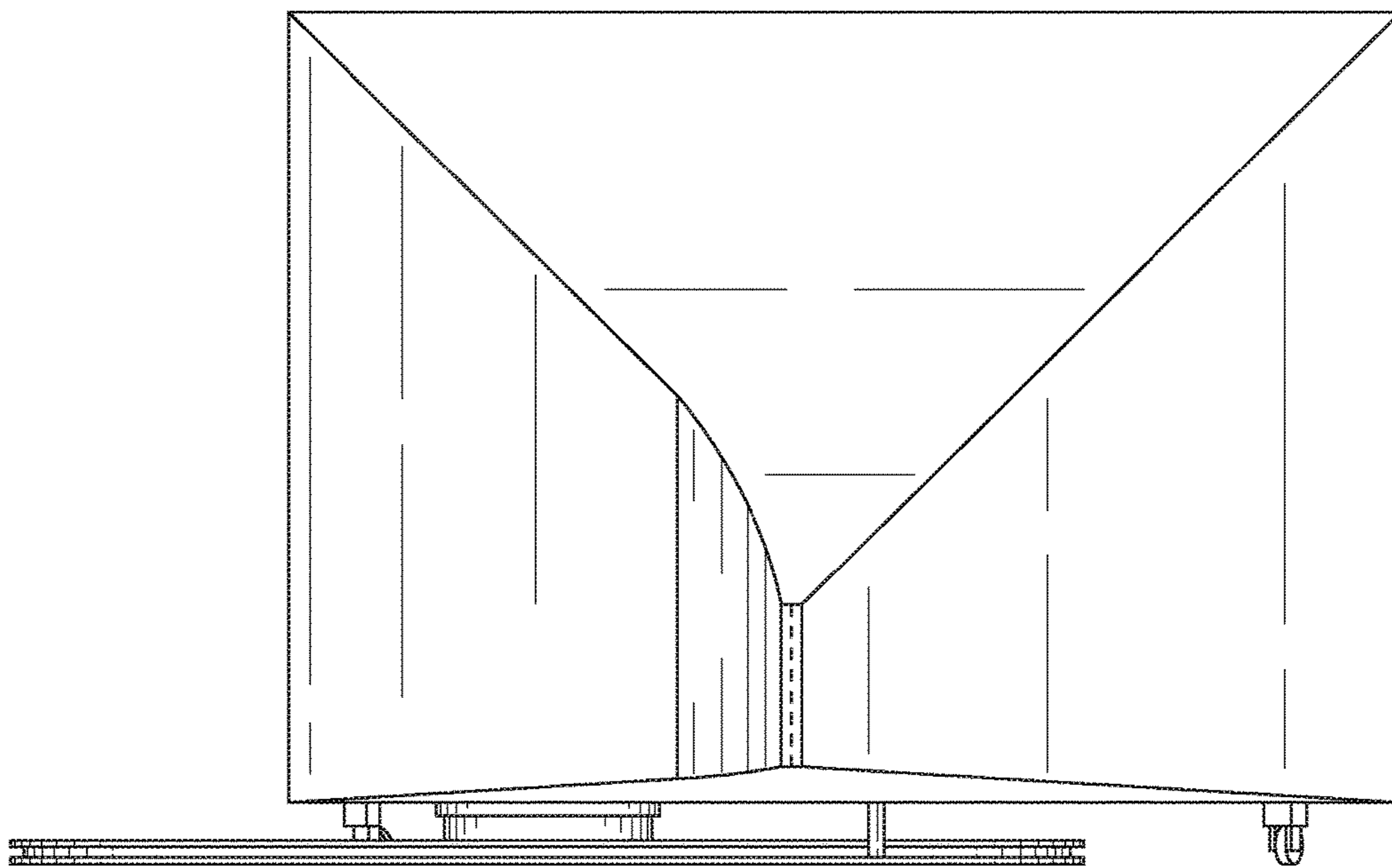


FIG. 3

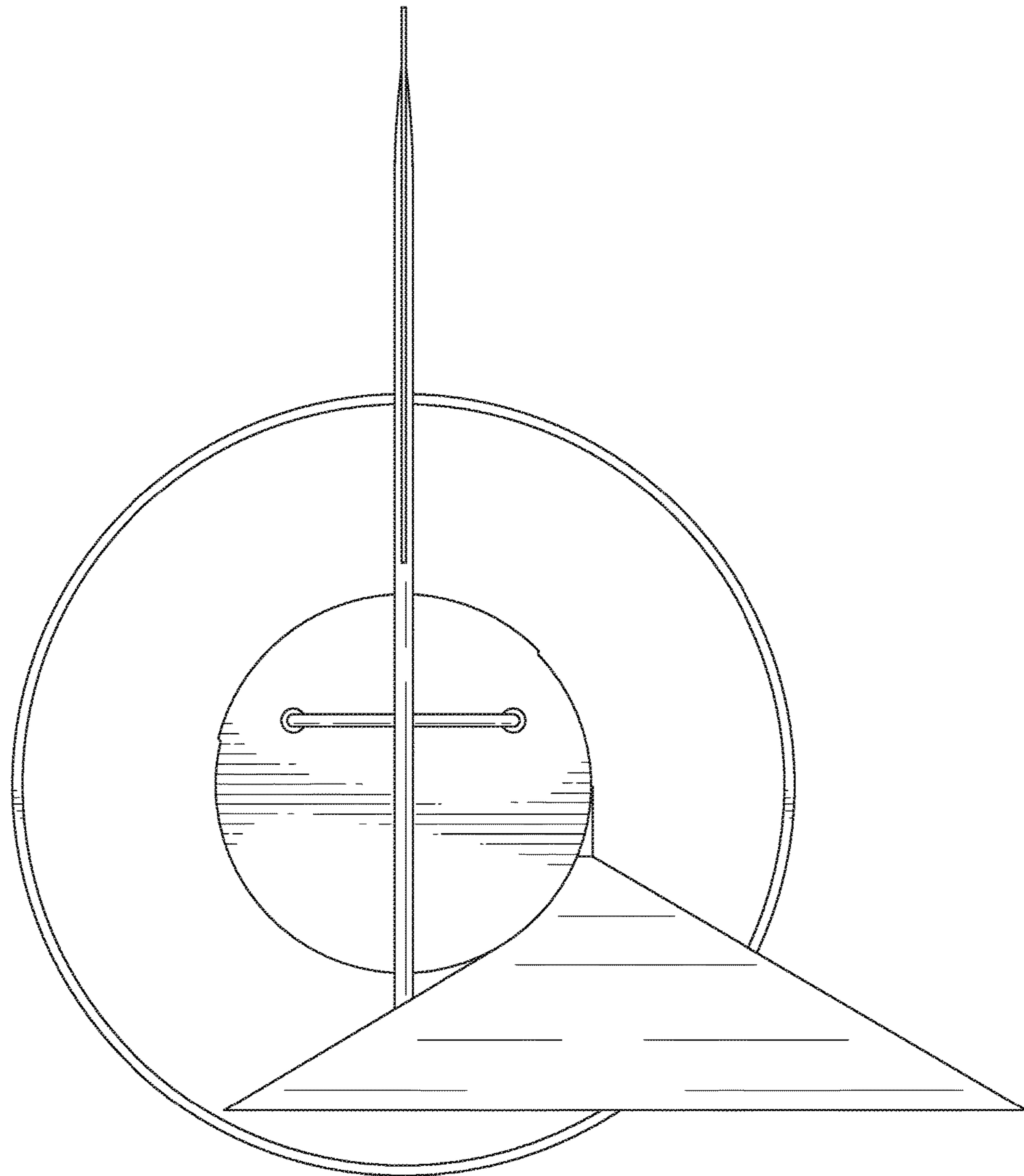


FIG. 4

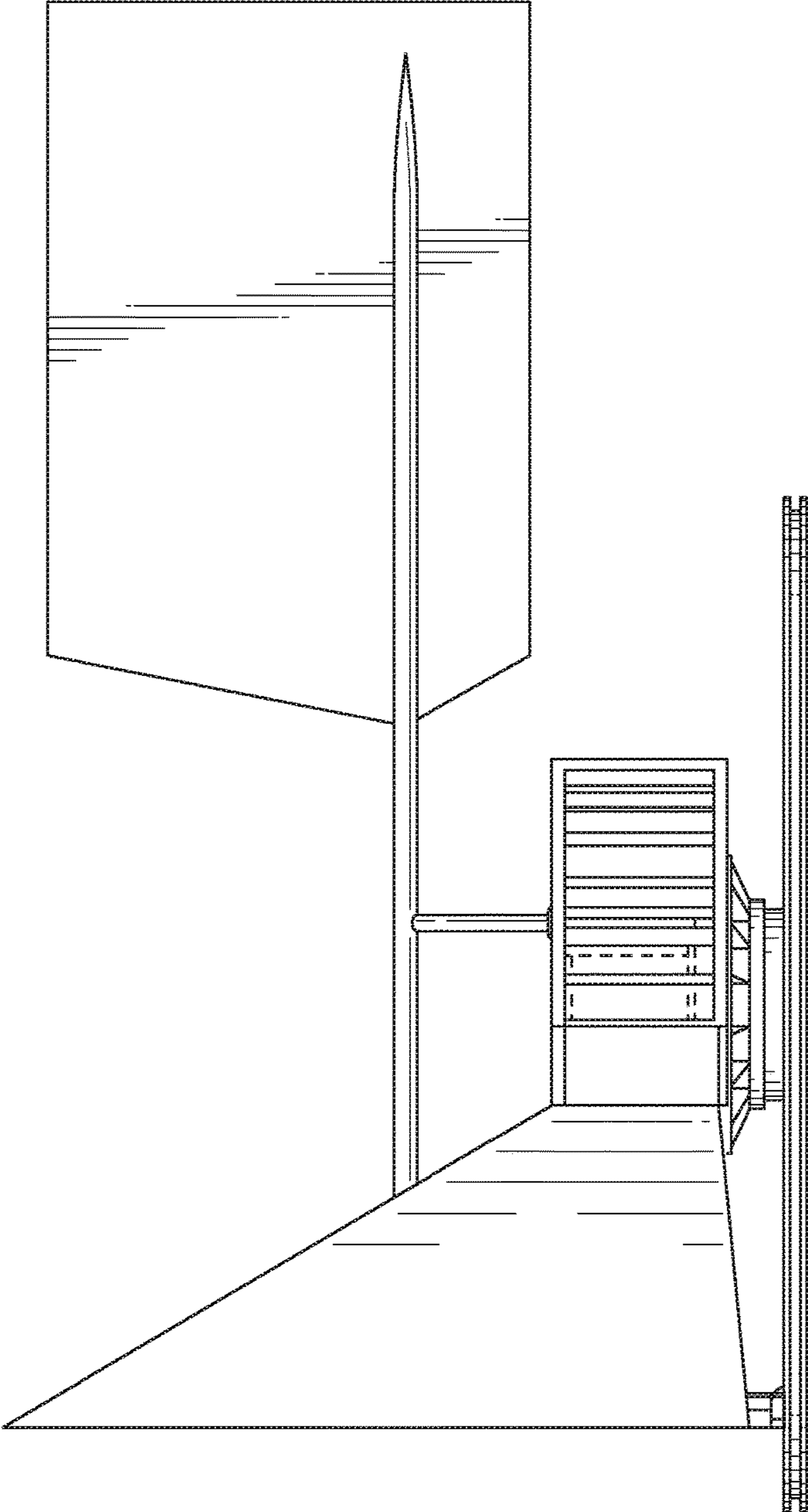


FIG. 5

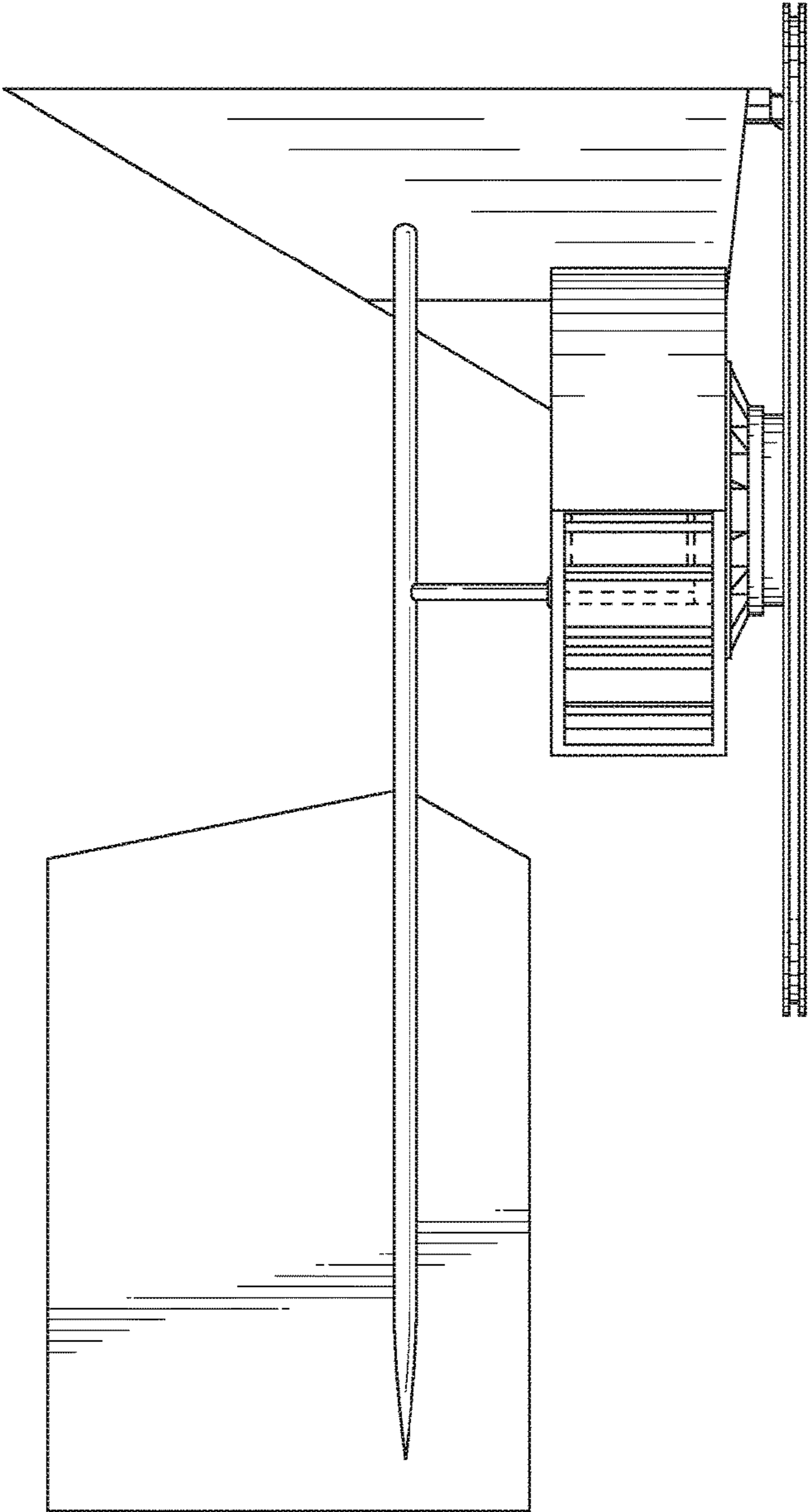


FIG. 6

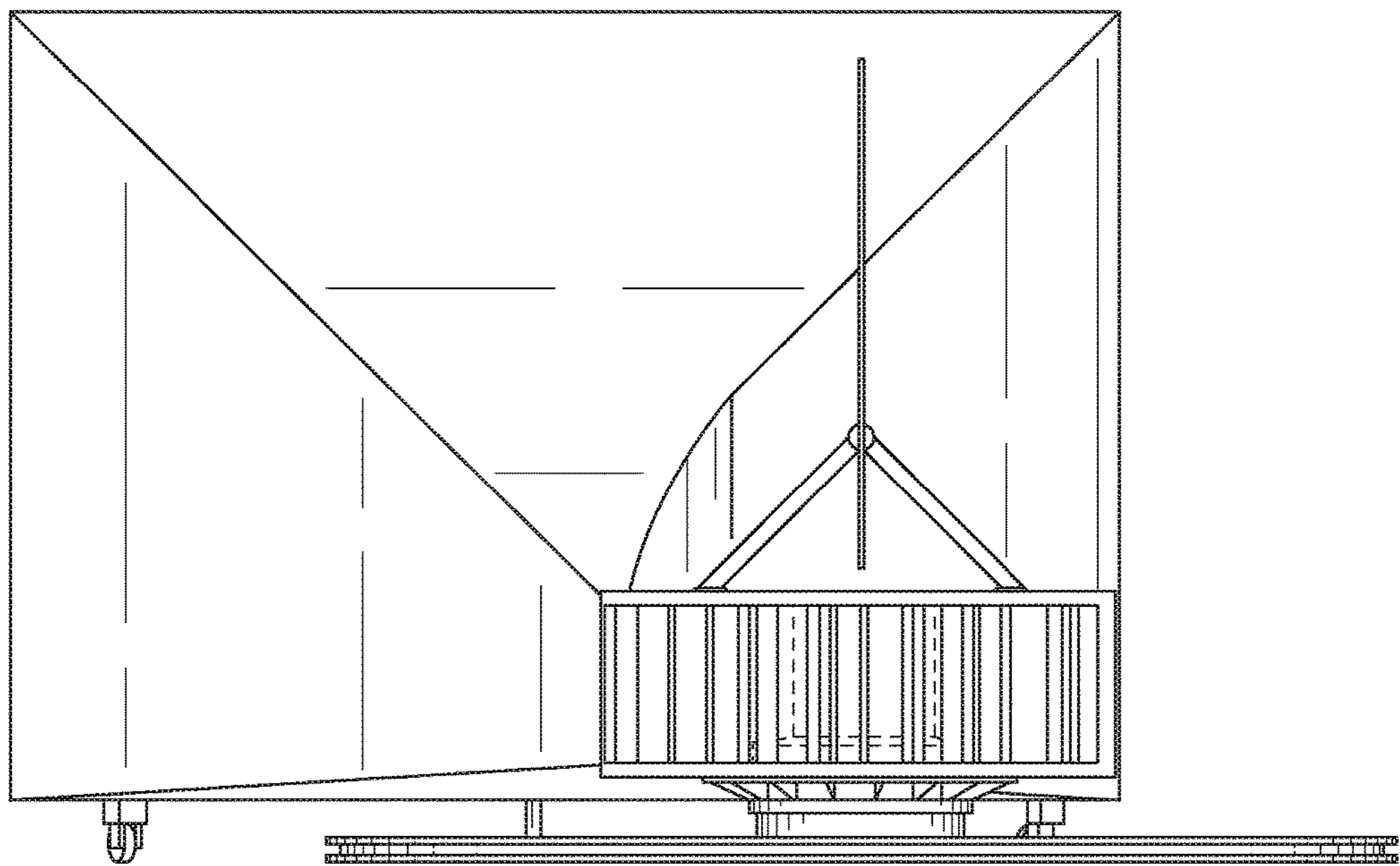


FIG. 7

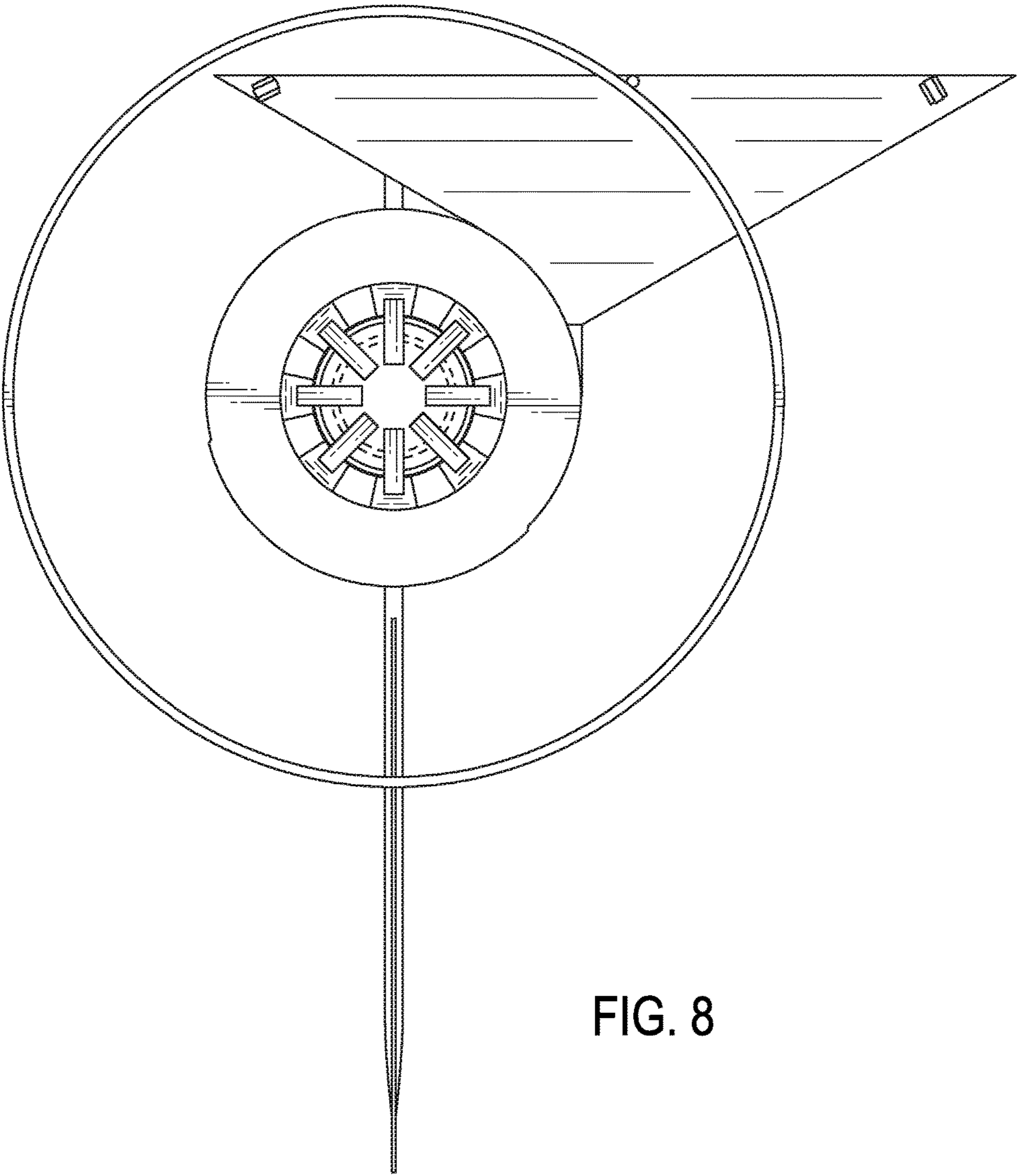


FIG. 8