



US00D861577S

(12) **United States Design Patent**
Colombo et al.

(10) **Patent No.:** **US D861,577 S**

(45) **Date of Patent:** **** Oct. 1, 2019**

(54) **TIRE**

(71) Applicant: **Pirelli Tyre S.p.A.**, Milan (IT)

(72) Inventors: **Gianfranco Colombo**, Milan (IT);
Roberto Bolzoni, Milan (IT); **Stefano Bizzi**, Milan (IT); **Daniele Lorenzetti**, Milan (IT)

(73) Assignee: **PIRELLI TYRE S.P.A.**, Milan (IT)

(**) Term: **15 Years**

(21) Appl. No.: **29/602,147**

(22) Filed: **Apr. 28, 2017**

Related U.S. Application Data

(62) Division of application No. 29/479,452, filed on Jan. 16, 2014, now Pat. No. Des. 797,034.

(30) **Foreign Application Priority Data**

Jul. 16, 2013 (EM) 002274878-0001
Jul. 16, 2013 (EM) 002274878-0002
Jul. 16, 2013 (EM) 002274878-0003
Jul. 16, 2013 (EM) 002274878-0004

(51) **LOC (12) Cl.** **12-15**

(52) **U.S. Cl.**
USPC **D12/521**

(58) **Field of Classification Search**
USPC D12/500–532, 900–901
CPC Y10T 152/10027; B60C 1/0016; B60C 11/0306; B60C 11/0302; B60C 3/06; B60C 9/17
See application file for complete search history.

(56) **References Cited**

U.S. PATENT DOCUMENTS

D797,034 S * 9/2017 Colombo D12/521
D802,521 S * 11/2017 Bonnamour D12/530

D803,148 S * 11/2017 Hayashi D12/521
D806,003 S * 12/2017 Pribula D12/521
D811,989 S * 3/2018 Kim D12/521
D815,585 S * 4/2018 Schuessler D12/521
D820,771 S * 6/2018 Wongsariyanich D12/521

* cited by examiner

Primary Examiner — Stacia A Cadmus

(74) *Attorney, Agent, or Firm* — Finnegan, Henderson, Farabow, Garrett & Dunner, L.L.P.

(57) **CLAIM**

The ornamental design for a tire, as shown and described.

DESCRIPTION

FIG. 1 is a right side view of a tire showing our new design; FIG. 2 is a front view thereof;

FIG. 3 is a front perspective view thereof, with the rear perspective view being a mirror image thereof, it being understood that the tread pattern is repeated throughout the circumference of the tire;

FIG. 4 is a left side view thereof;

FIG. 5 is a right side view of a second embodiment of a tire, showing our new design;

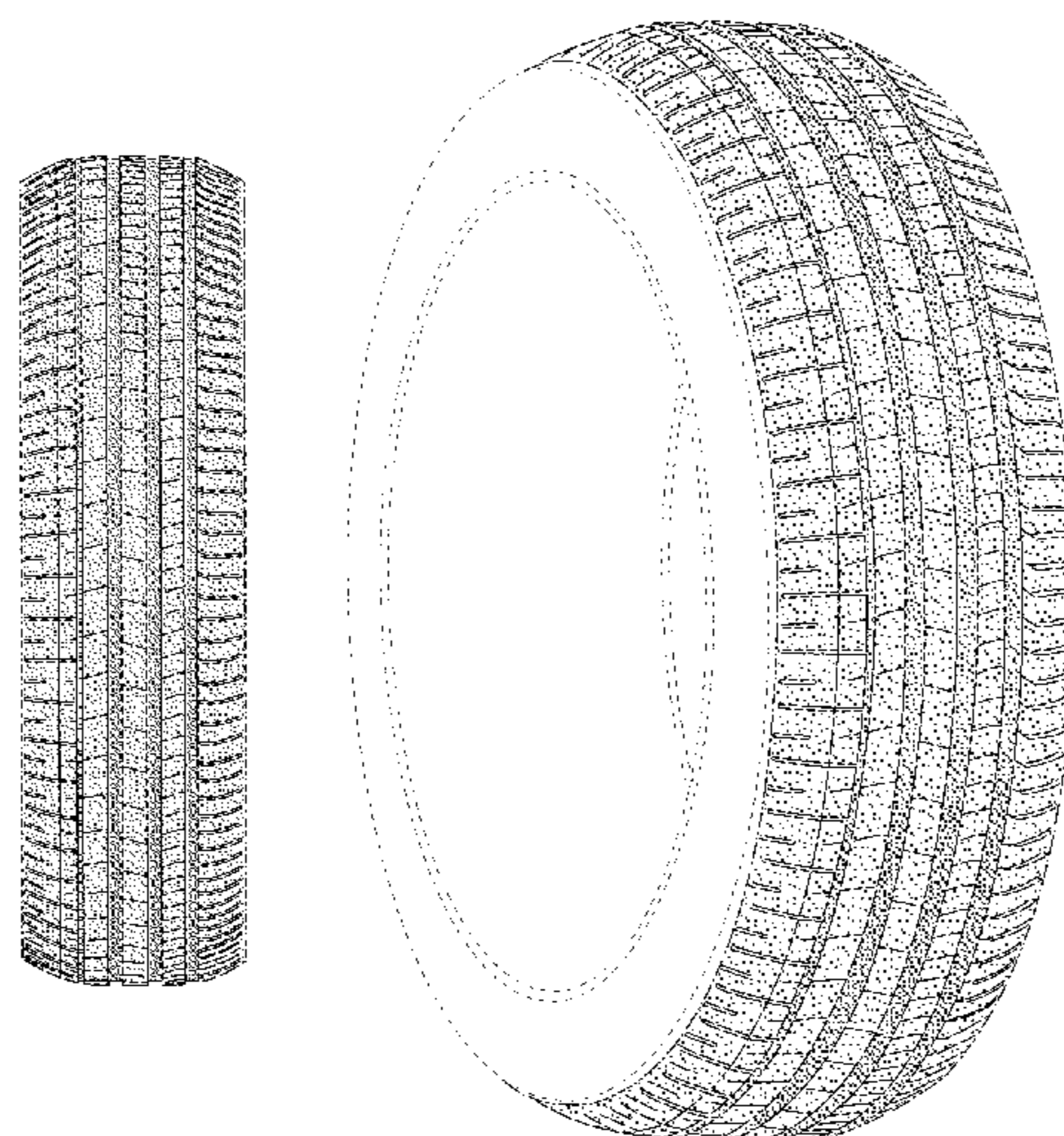
FIG. 6 is a front view of FIG. 5;

FIG. 7 is a front perspective view of FIG. 5 with the rear perspective view being a mirror image thereof, it being understood that the tread pattern is repeated throughout the circumference of the tire; and,

FIG. 8 is a left side view of FIG. 5.

The portions depicted in broken lines of uneven length define the unclaimed boundary of the claimed design. The portions depicted in broken lines of even length are environment and form no part of the claimed design.

1 Claim, 8 Drawing Sheets



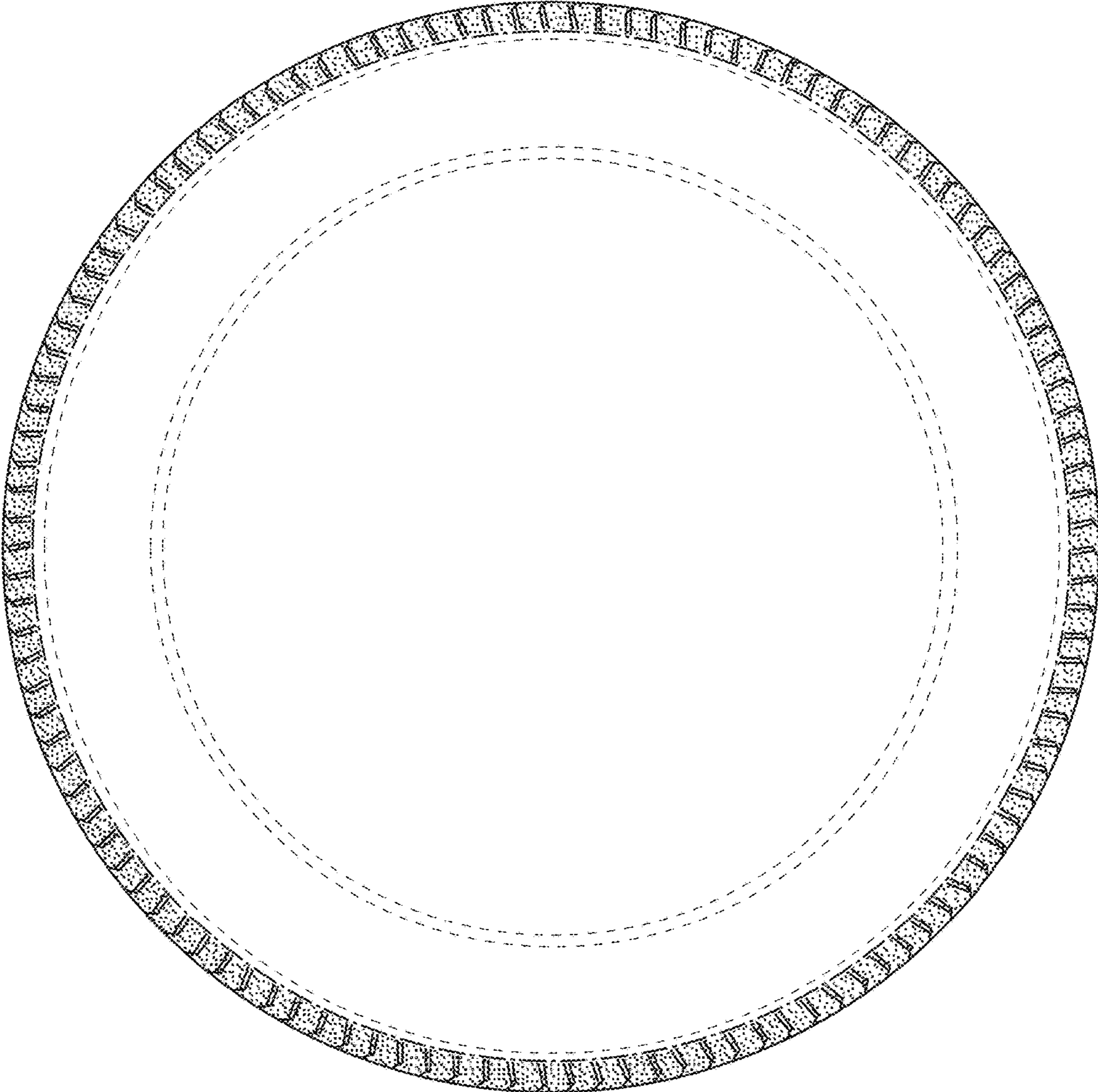


FIG. 1

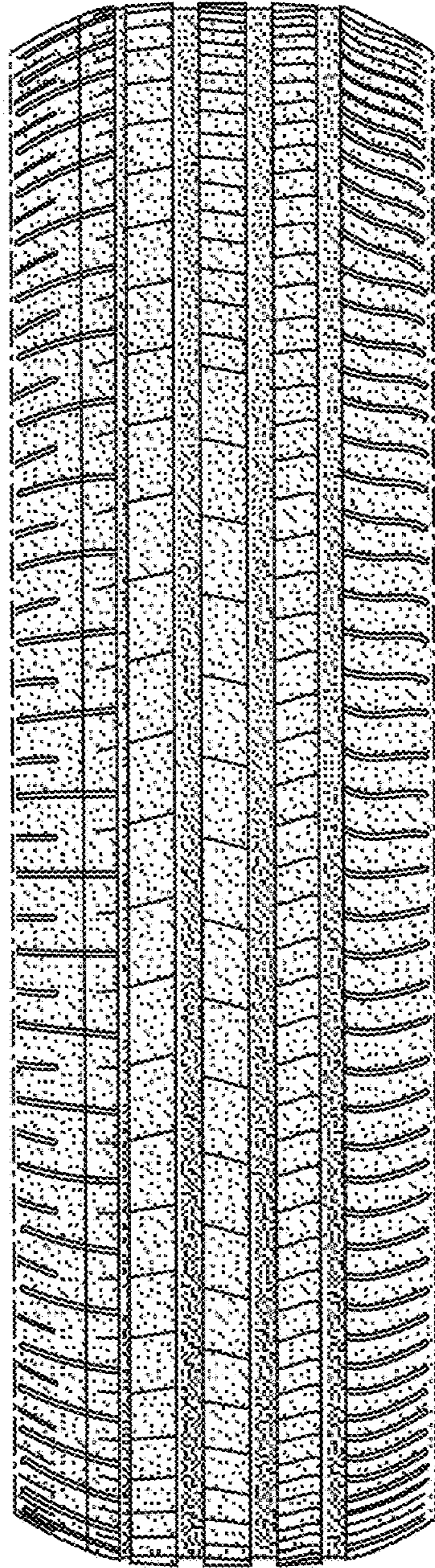


FIG. 2

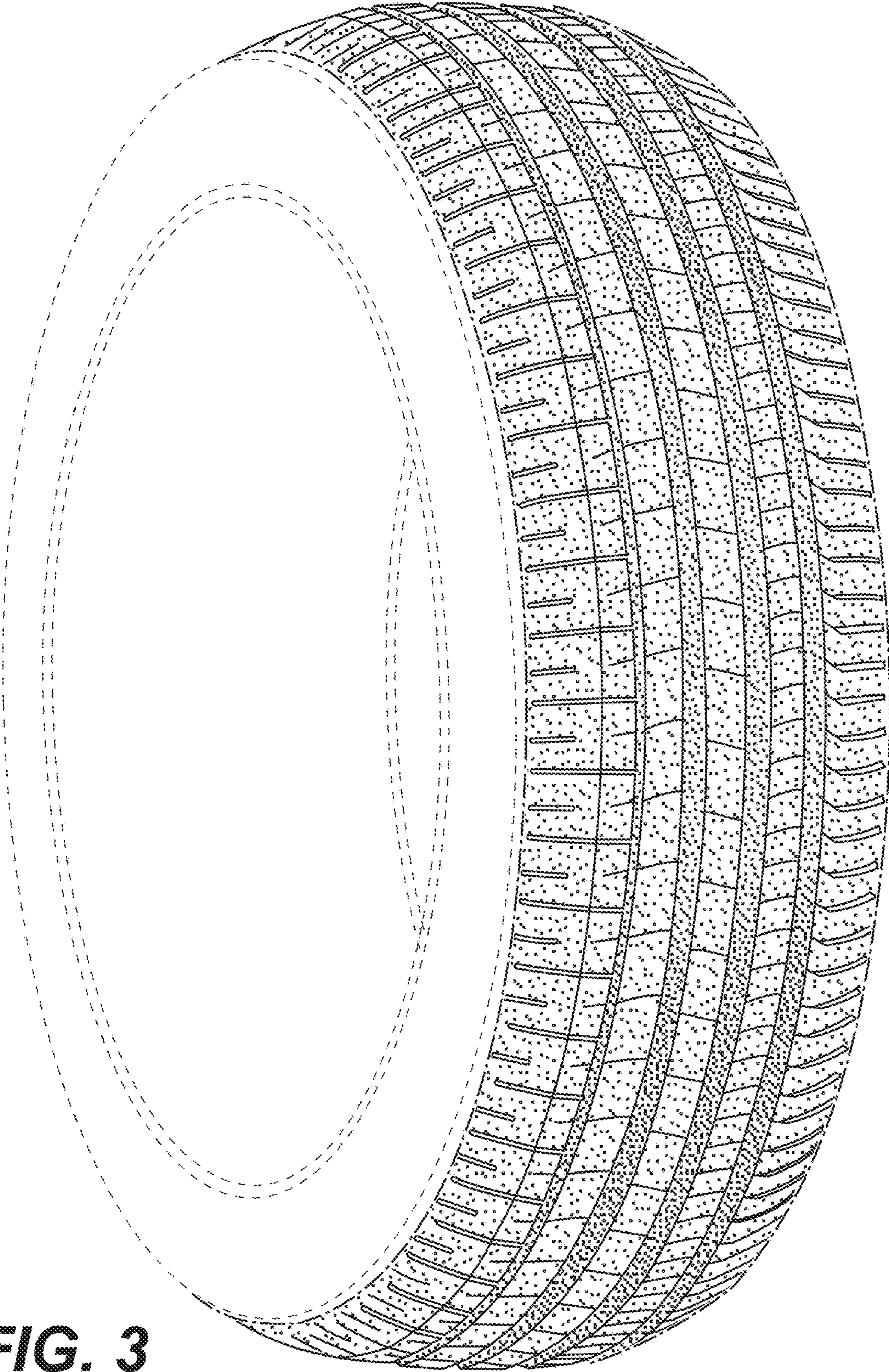


FIG. 3

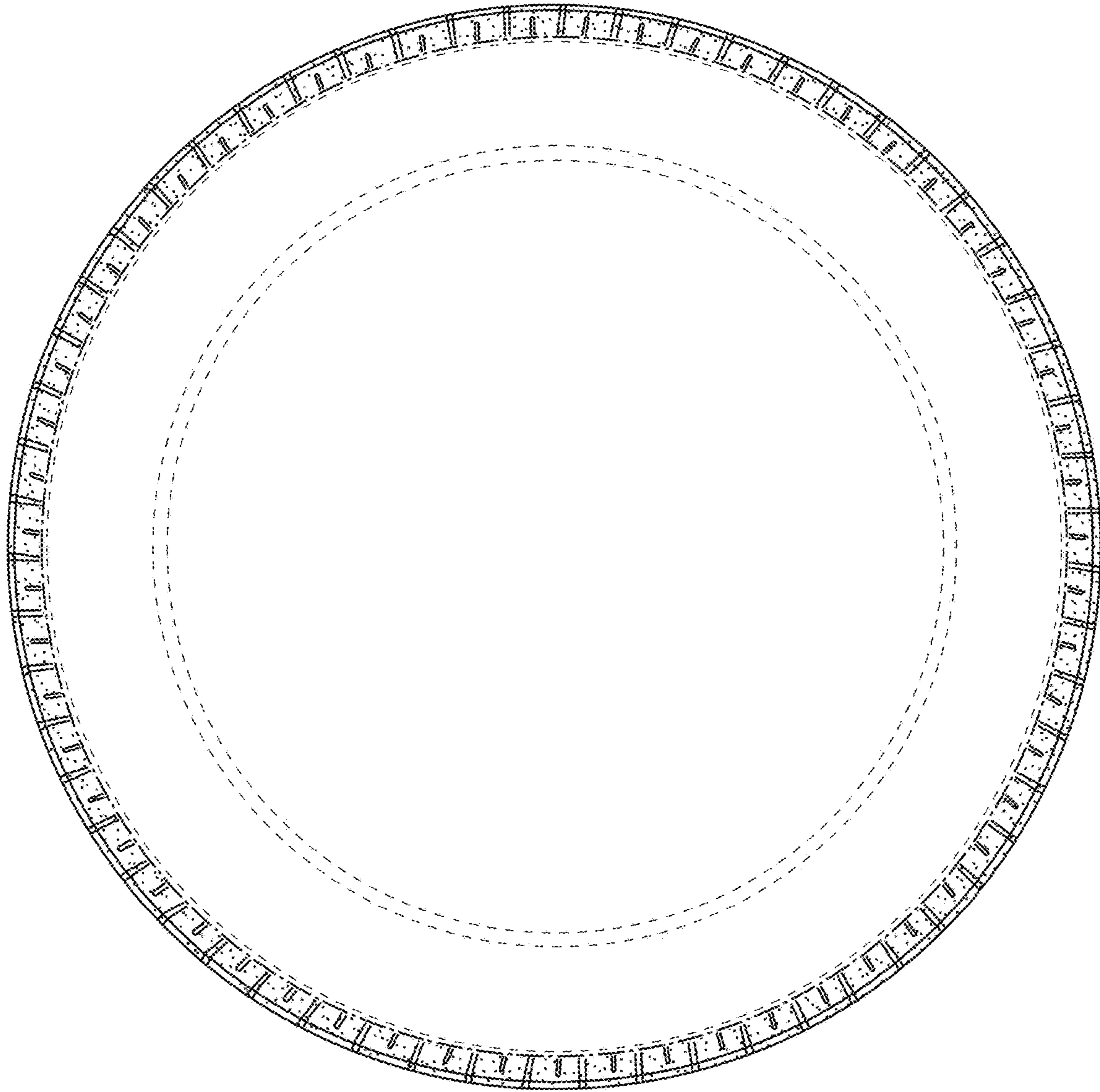


FIG. 4

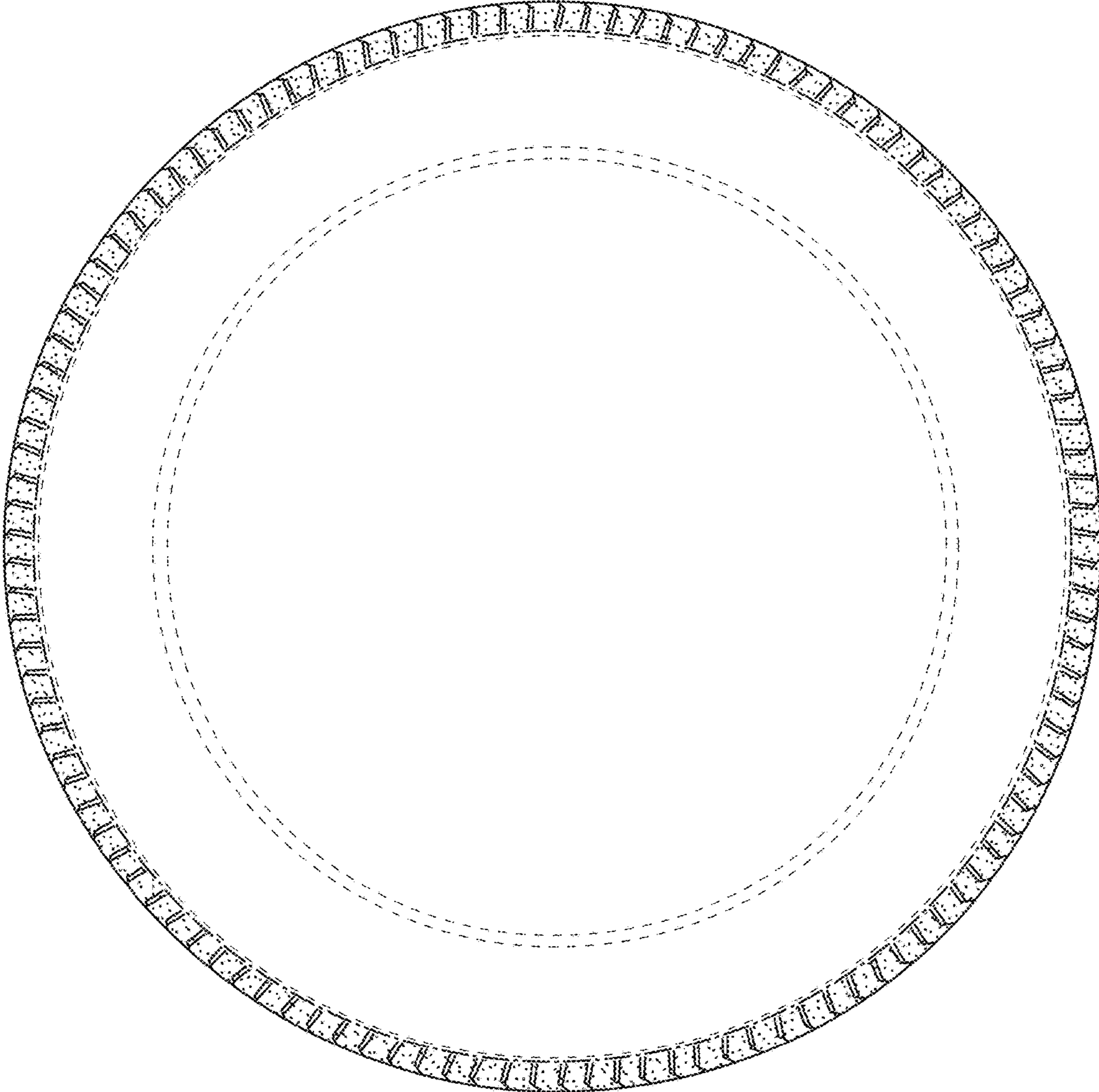


FIG. 5

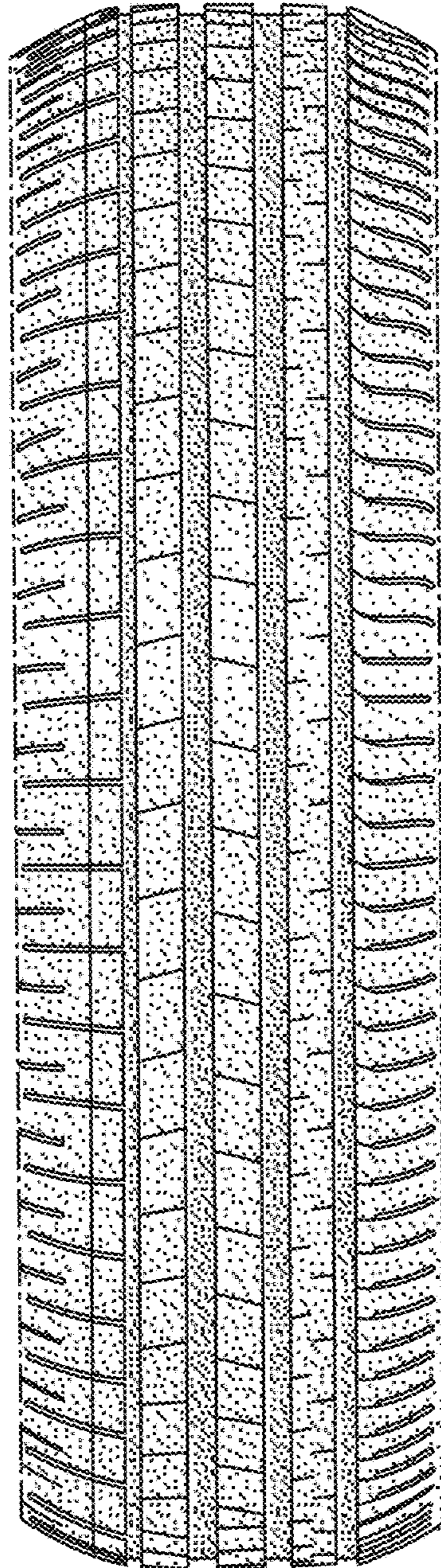


FIG. 6

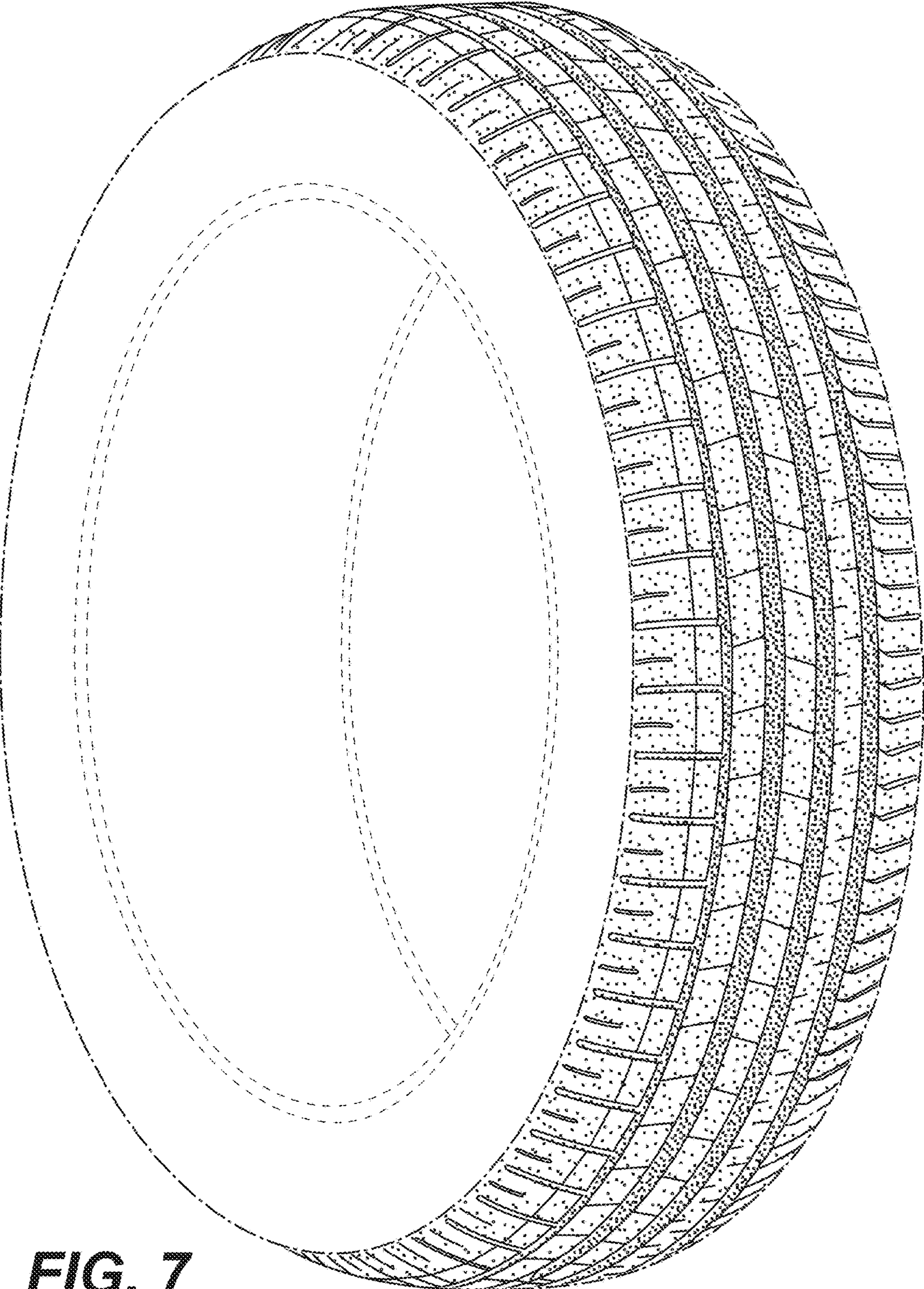


FIG. 7

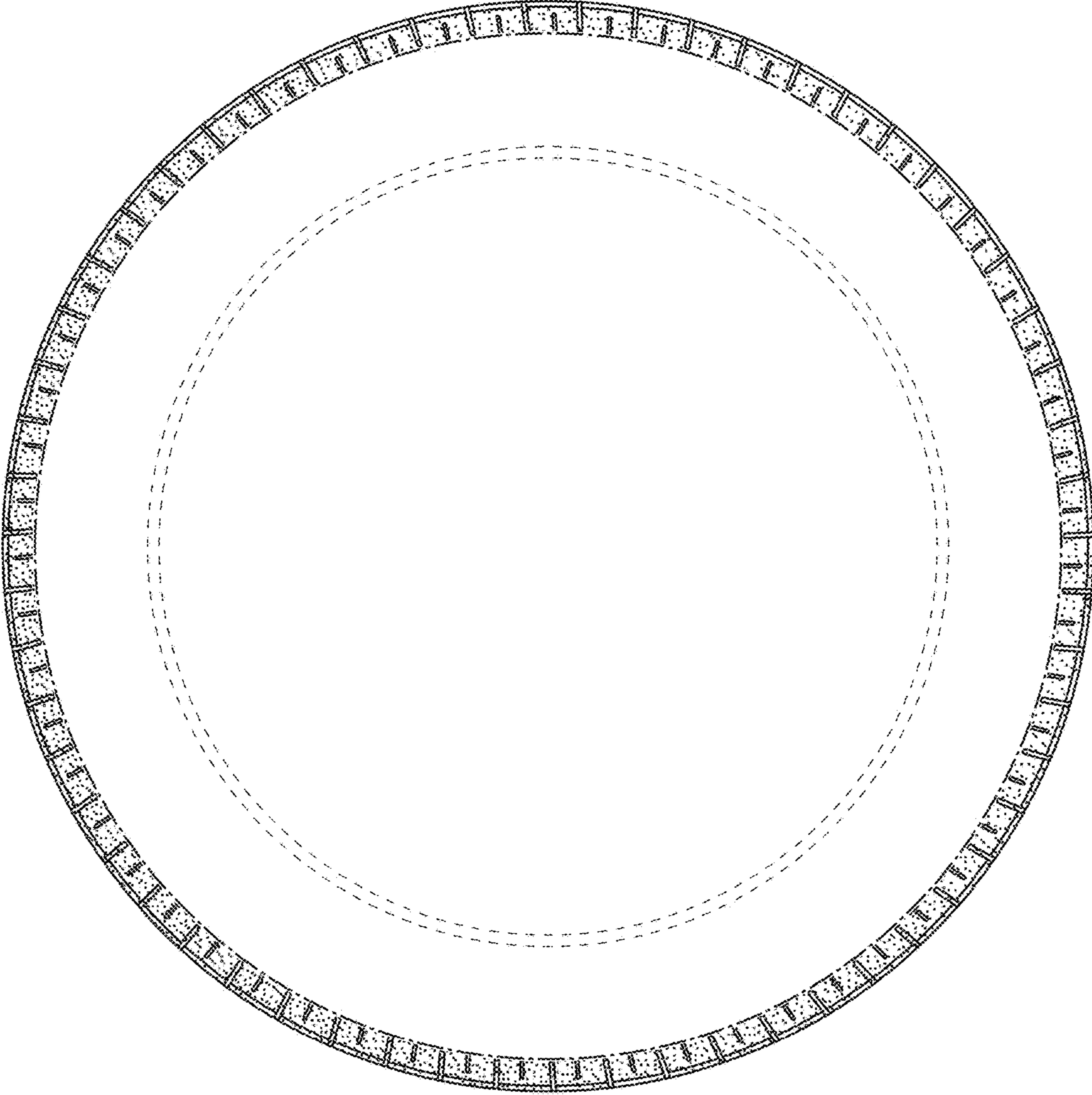


FIG. 8