



US00D861575S

(12) **United States Design Patent**  
**Tang**

(10) **Patent No.:** **US D861,575 S**  
(45) **Date of Patent:** **\*\* Oct. 1, 2019**

- (54) **VEHICLE CHASE RACK**
- (71) Applicant: **Joel Tang**, City of Industry, CA (US)
- (72) Inventor: **Joel Tang**, City of Industry, CA (US)
- (\*\*) Term: **15 Years**
- (21) Appl. No.: **29/695,661**
- (22) Filed: **Jun. 20, 2019**
- (51) **LOC (12) Cl.** ..... **12-16**
- (52) **U.S. Cl.**  
USPC ..... **D12/406**
- (58) **Field of Classification Search**  
USPC ..... D12/401-406; D6/610-611  
CPC .... B60R 9/00; B60R 9/02; B60R 9/04; B60R 9/08; B60R 9/042; B60R 9/0423; B60R 9/0426; B60R 9/045; B60R 9/048; B60R 9/0485; B60R 9/05; B60R 9/052; B60R 9/055; B60R 9/058; B60R 9/06; B60R 9/065; B60R 9/10; B60R 9/12  
See application file for complete search history.

- D792,826 S 7/2017 McMath
- D810,654 S \* 2/2018 Dionisopoulos ..... D12/406
- D815,581 S \* 4/2018 Anderson ..... D12/406
- D816,011 S \* 4/2018 Garcia ..... D12/406
- D836,947 S 1/2019 Davis
- D845,872 S \* 4/2019 Monroe ..... D12/406

\* cited by examiner

*Primary Examiner* — Katrina A Betton

(74) *Attorney, Agent, or Firm* — Kirk A. Buhler; Buhler & Associates Patenting

(57) **CLAIM**

The ornamental design for a vehicle chase rack, as shown and described.

**DESCRIPTION**

FIG. 1 is a top front perspective view of a vehicle chase rack, showing my new design in its environment;  
 FIG. 2 is a top plan view thereof;  
 FIG. 3 is a front elevation view thereof;  
 FIG. 4 is a bottom view thereof;  
 FIG. 5 is a rear elevation view thereof;  
 FIG. 6 is a right-side elevation view thereof;  
 FIG. 7 is a left side elevation view thereof;  
 FIG. 8 is a left side sectional view taken along lines 8-8 from FIG. 2 thereof;  
 FIG. 9 is a bottom front perspective view thereof; and,  
 FIG. 10 is a top front perspective view in an environment of use.

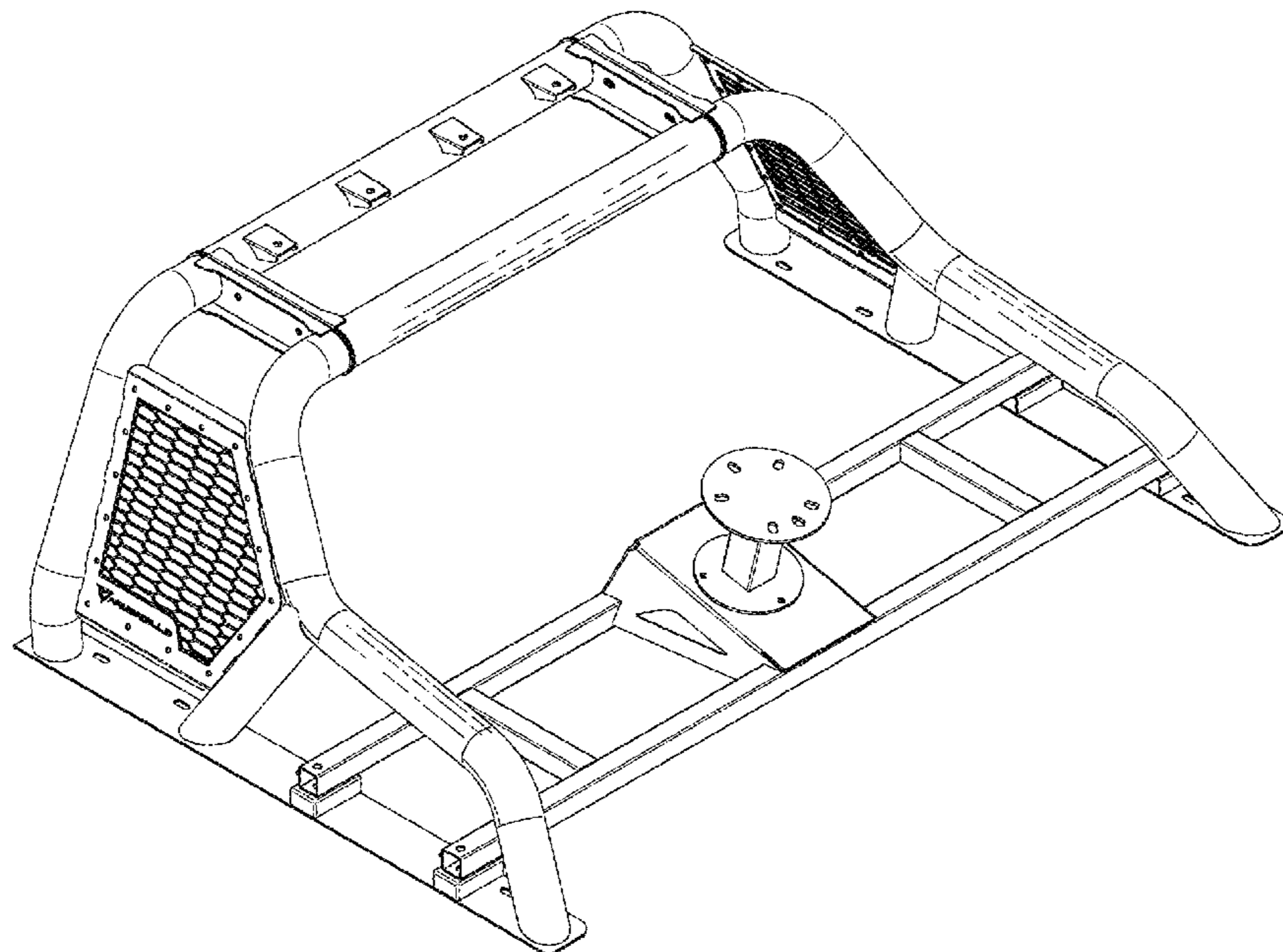
The broken lines in FIG. 10 depict environmental subject matter of vehicle, spare tire and lights for the invention and form no part of the claimed design.

**1 Claim, 6 Drawing Sheets**

(56) **References Cited**

U.S. PATENT DOCUMENTS

- D355,632 S 2/1995 Padgett
- D493,414 S \* 7/2004 Condos ..... D12/406
- D553,553 S \* 10/2007 Taylor ..... D12/414
- D562,206 S 2/2008 Newbill
- D578,467 S \* 10/2008 Ohanyan ..... D12/414
- D579,853 S \* 11/2008 Stark ..... D12/414
- D609,619 S 2/2010 Newbill
- D639,231 S \* 6/2011 Walsh ..... D12/414
- D717,230 S \* 11/2014 Fichter ..... D12/414
- D720,673 S 1/2015 Fickling
- D763,170 S \* 8/2016 Marankie ..... D12/414



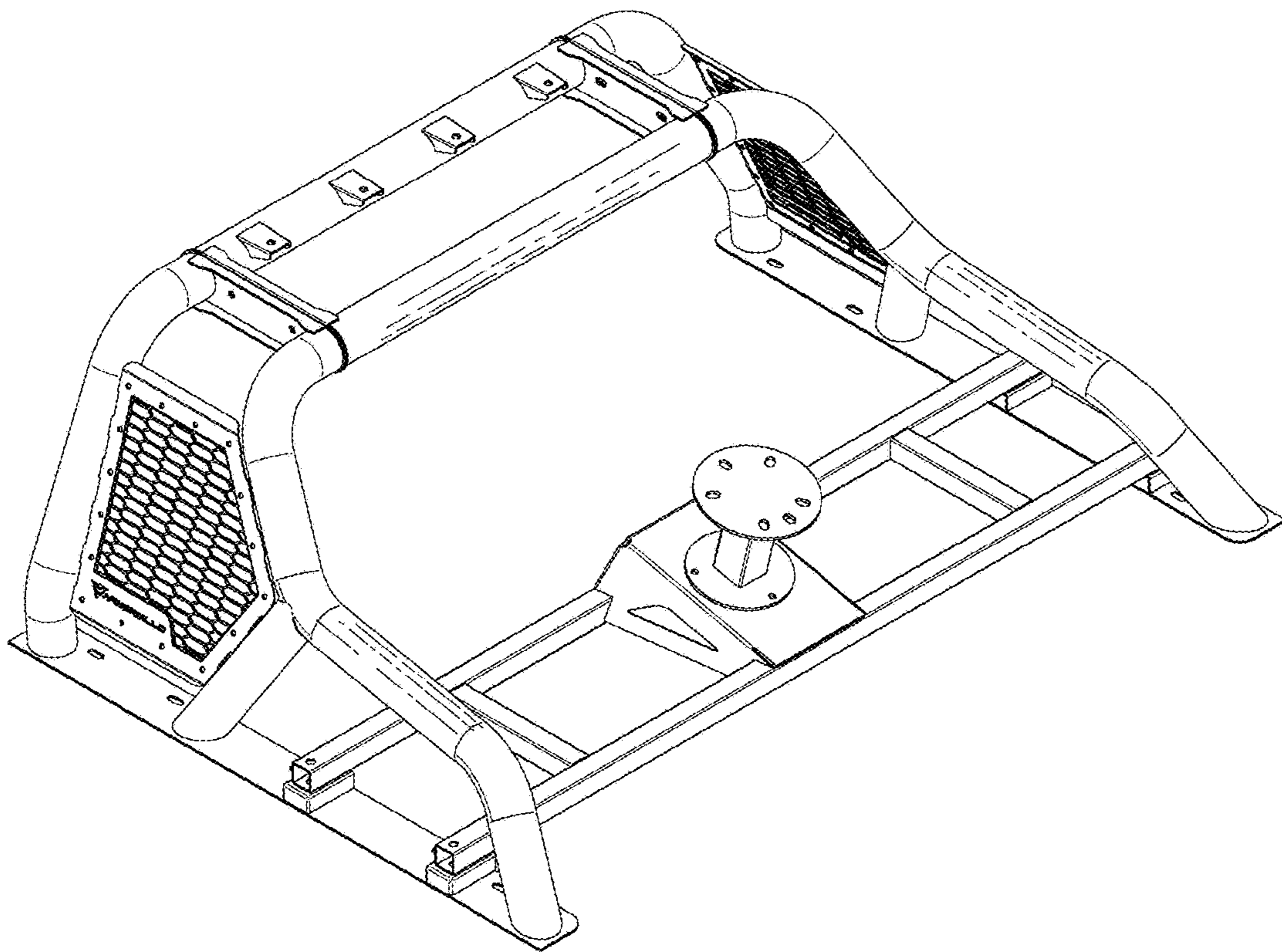


FIG. 1

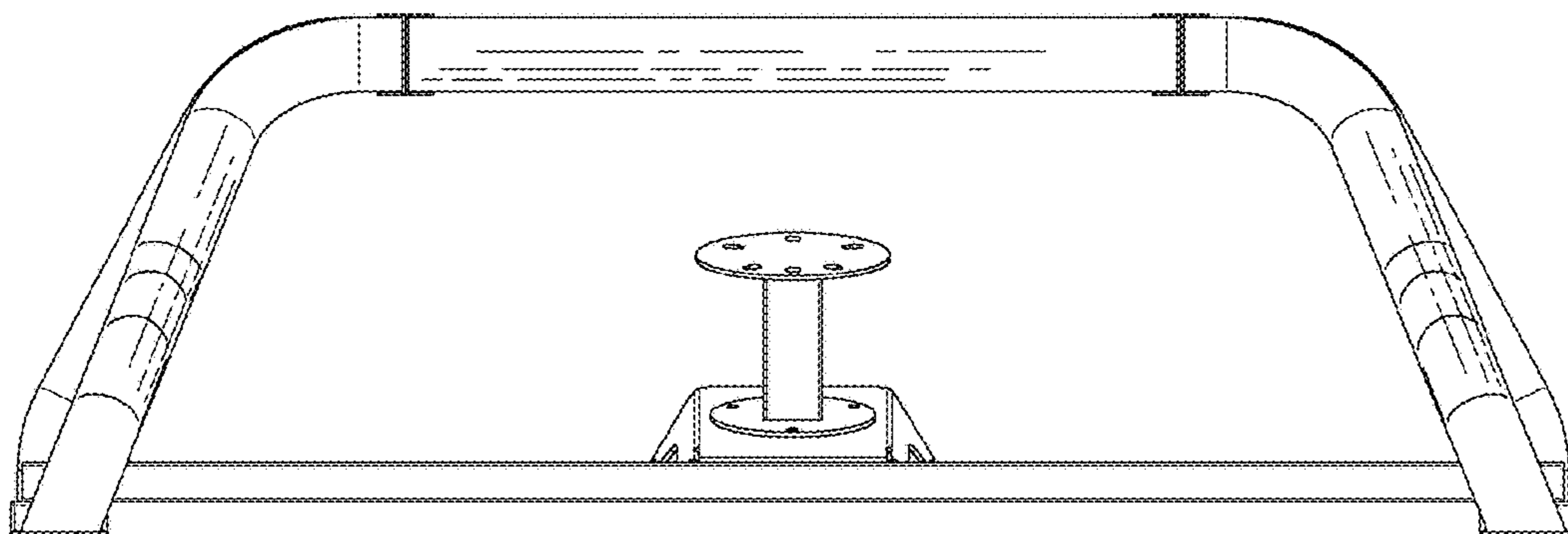
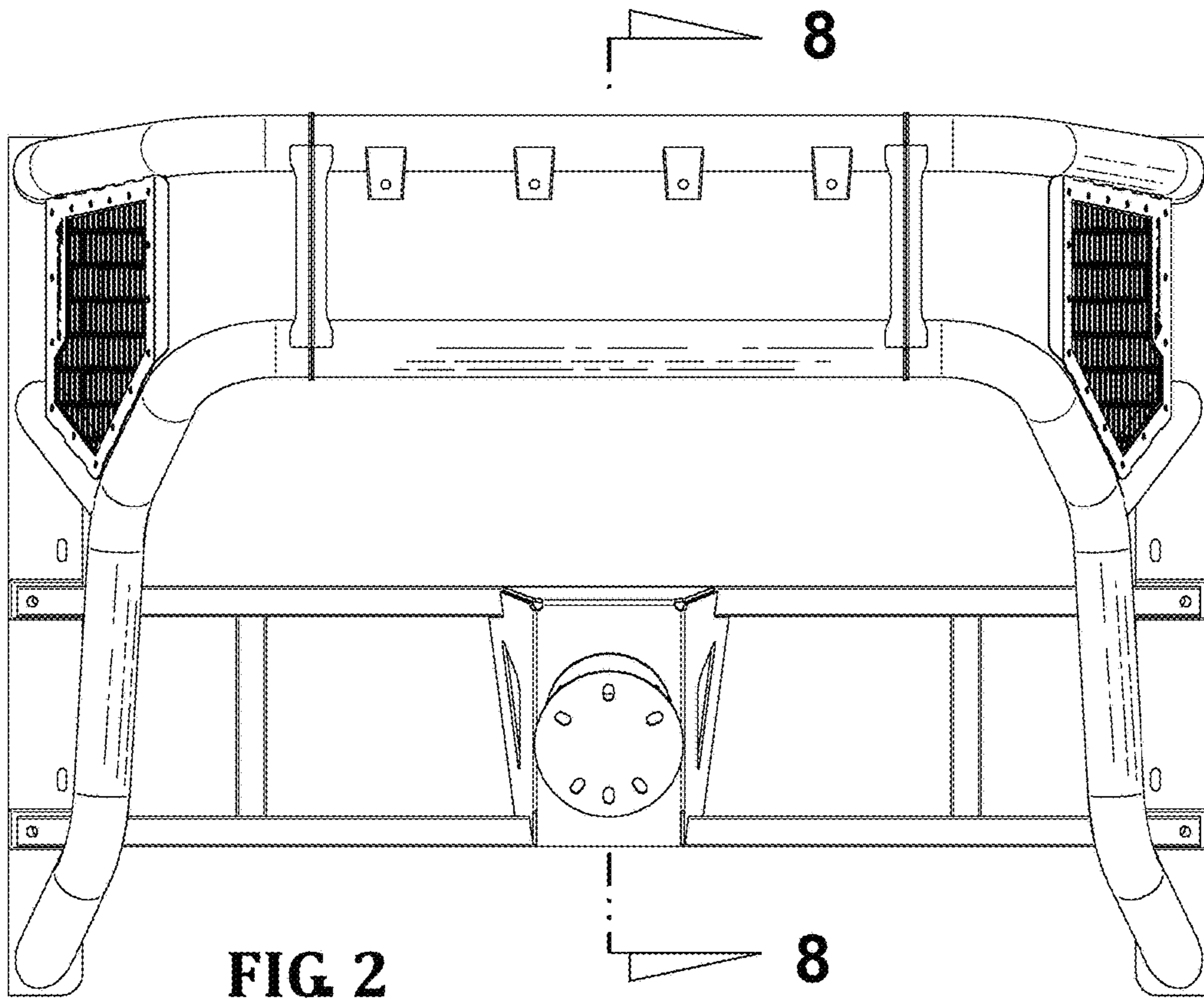
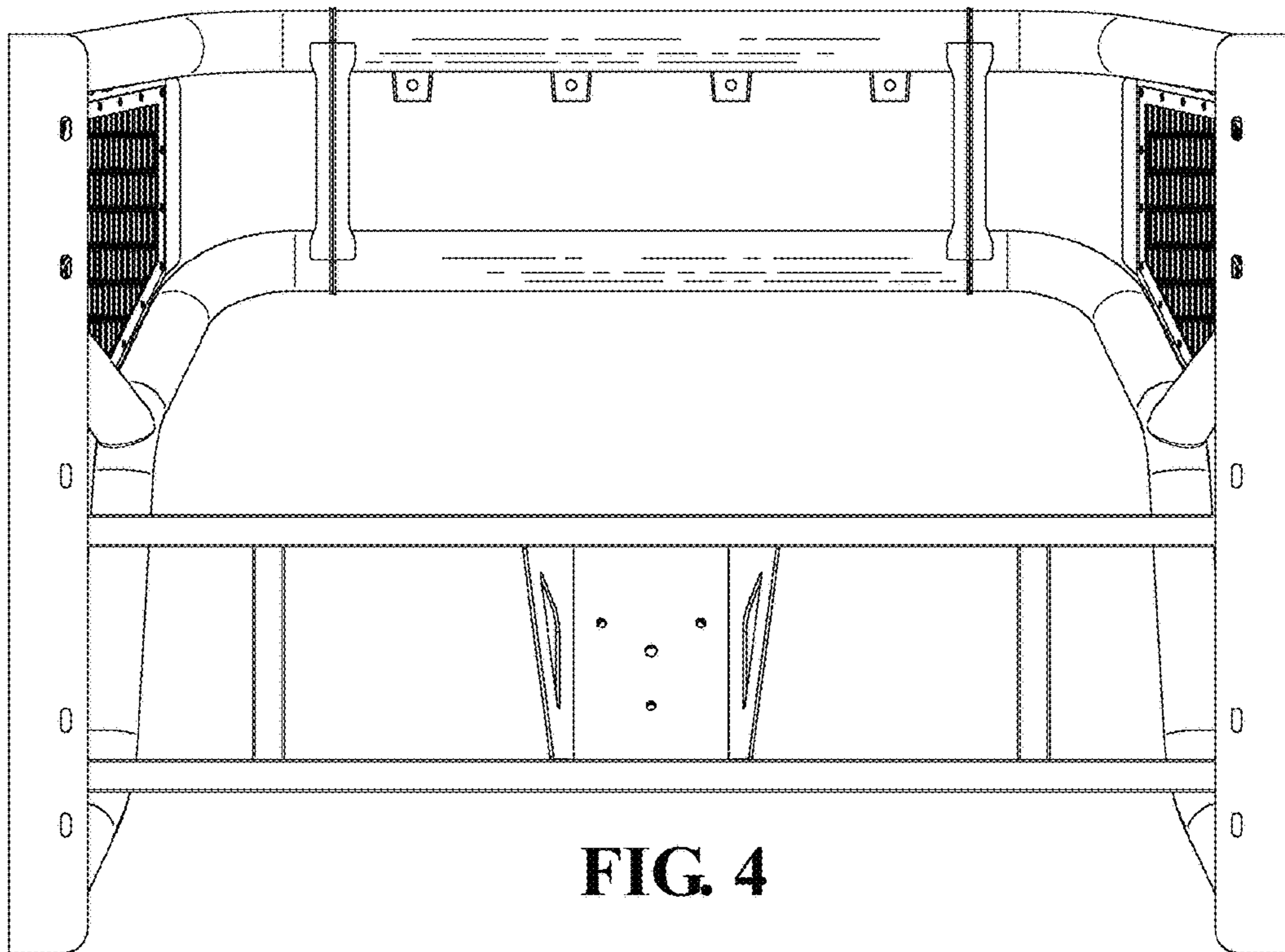
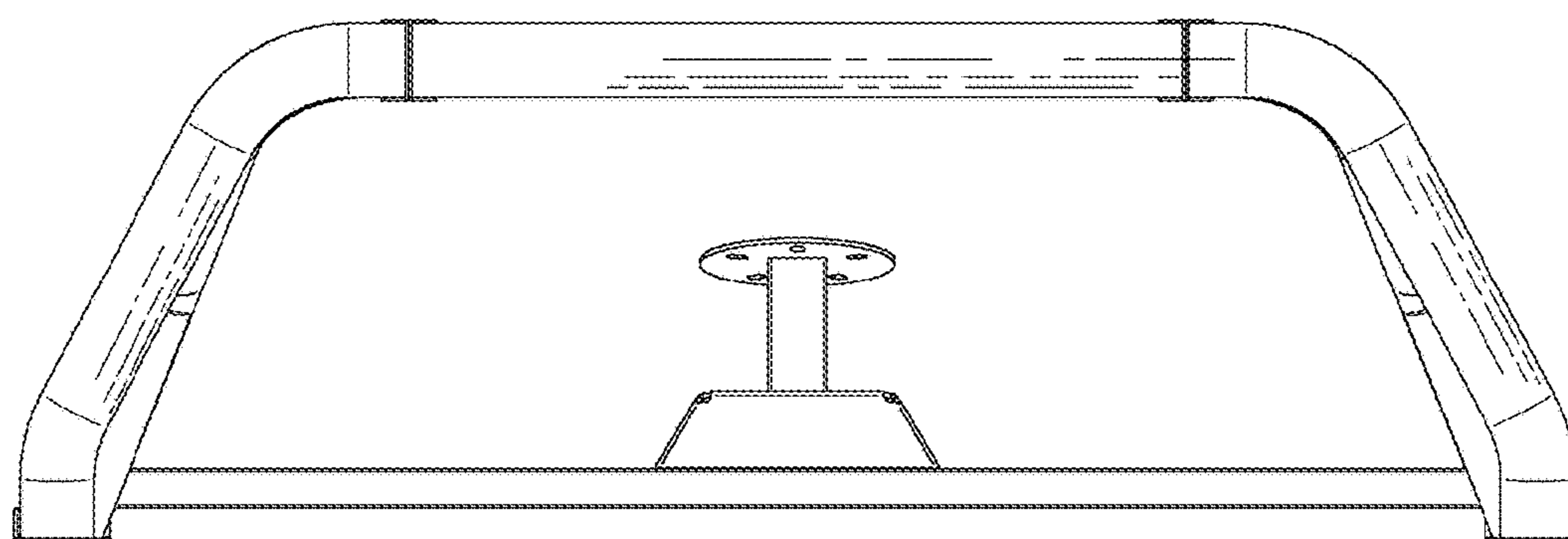


FIG. 3



**FIG. 4**



**FIG. 5**

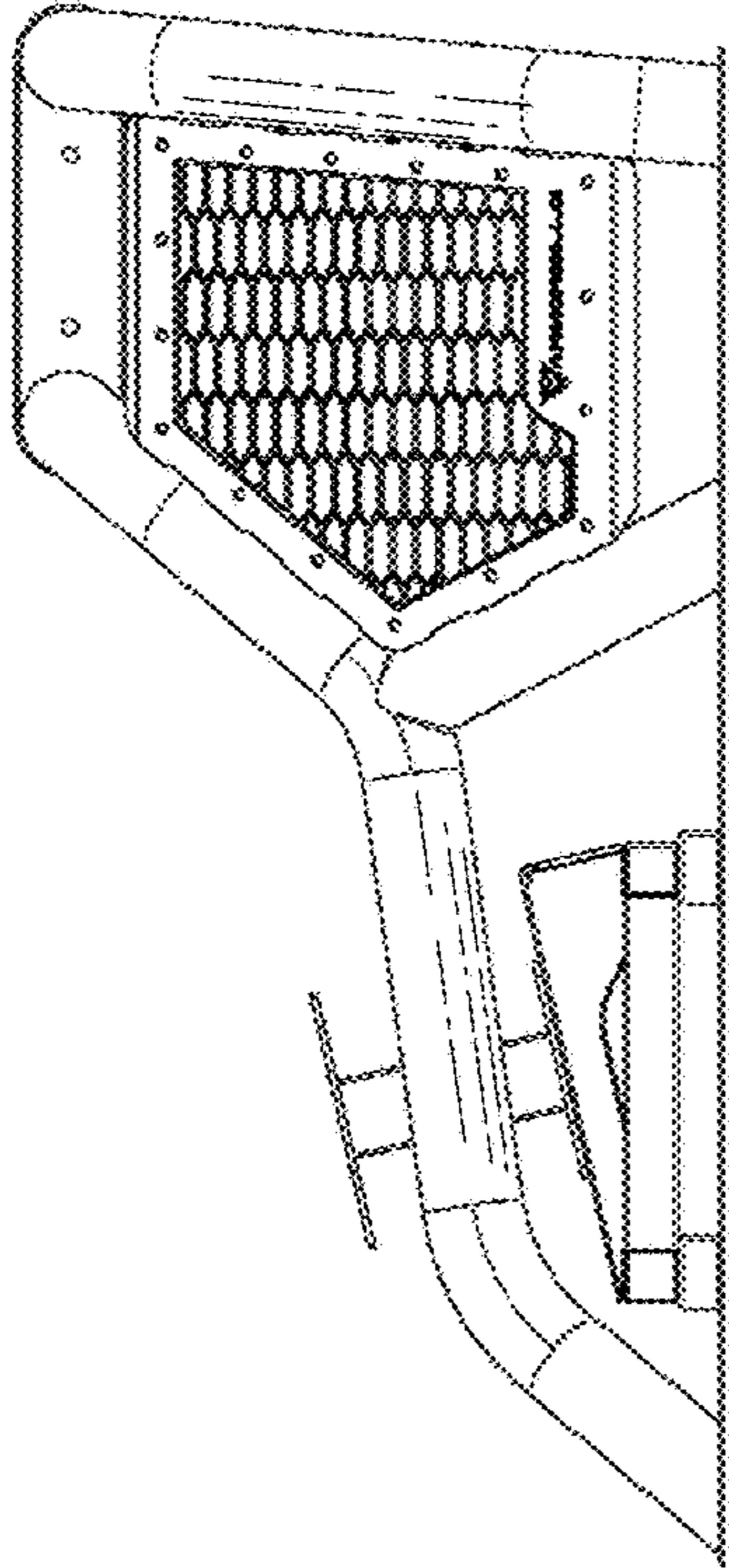


FIG. 6

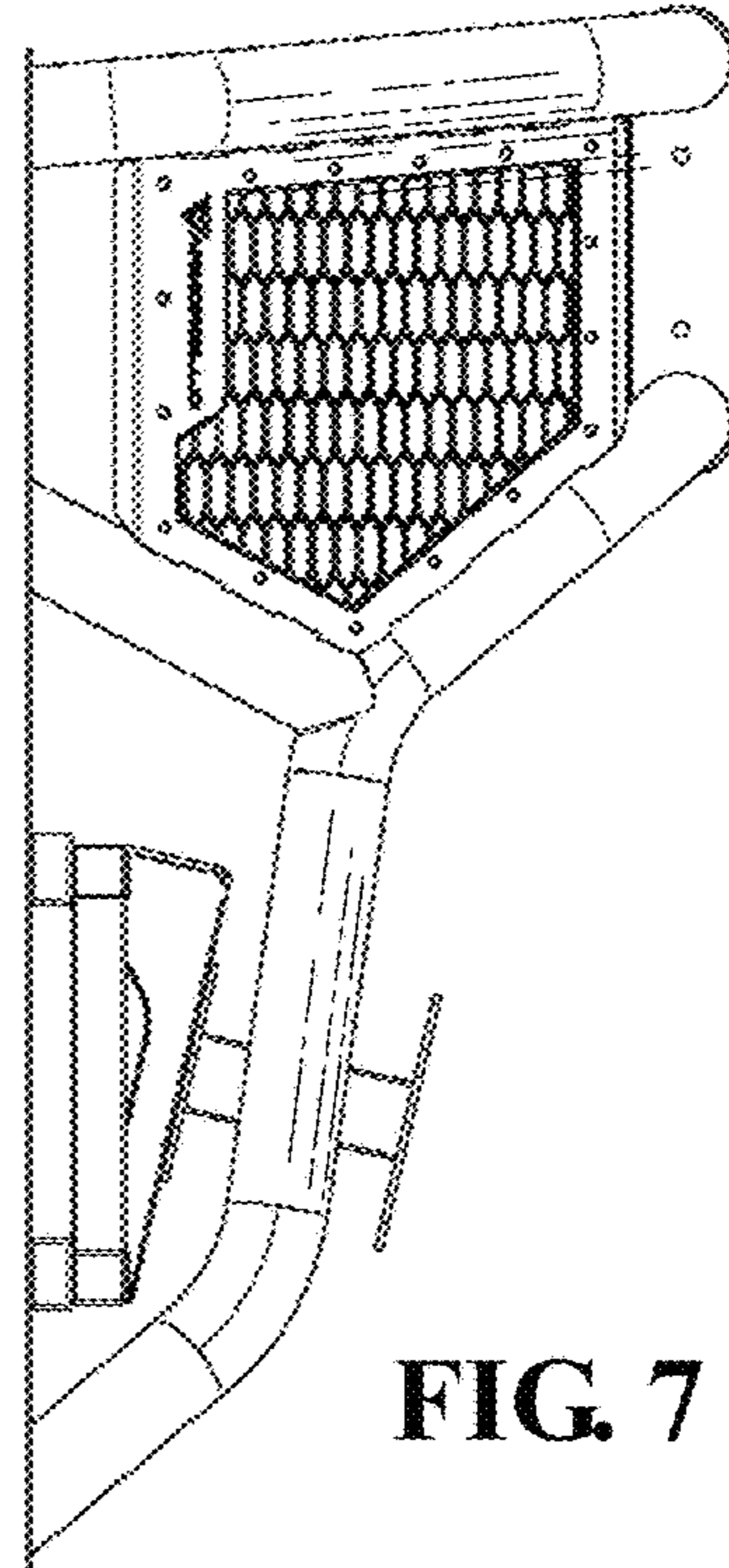


FIG. 7

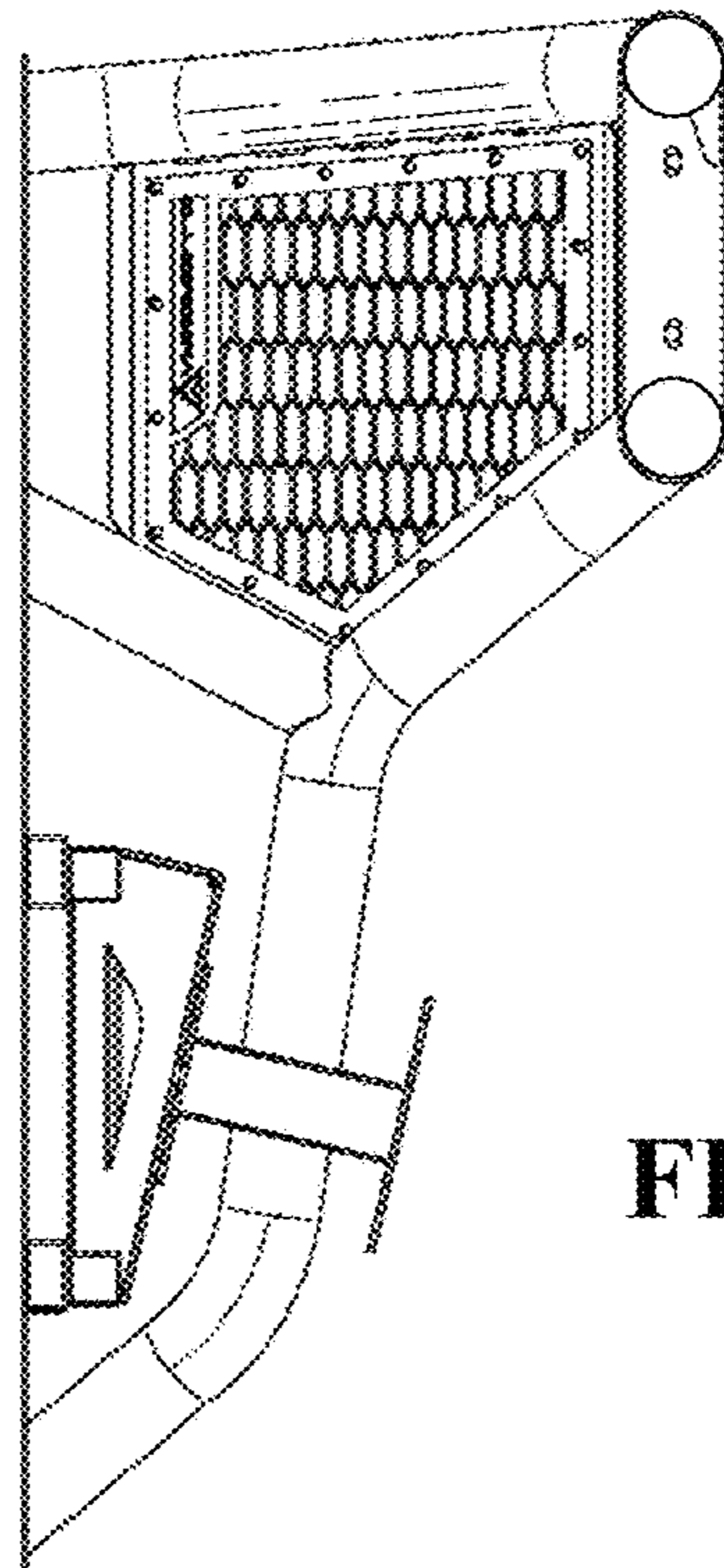


FIG. 8

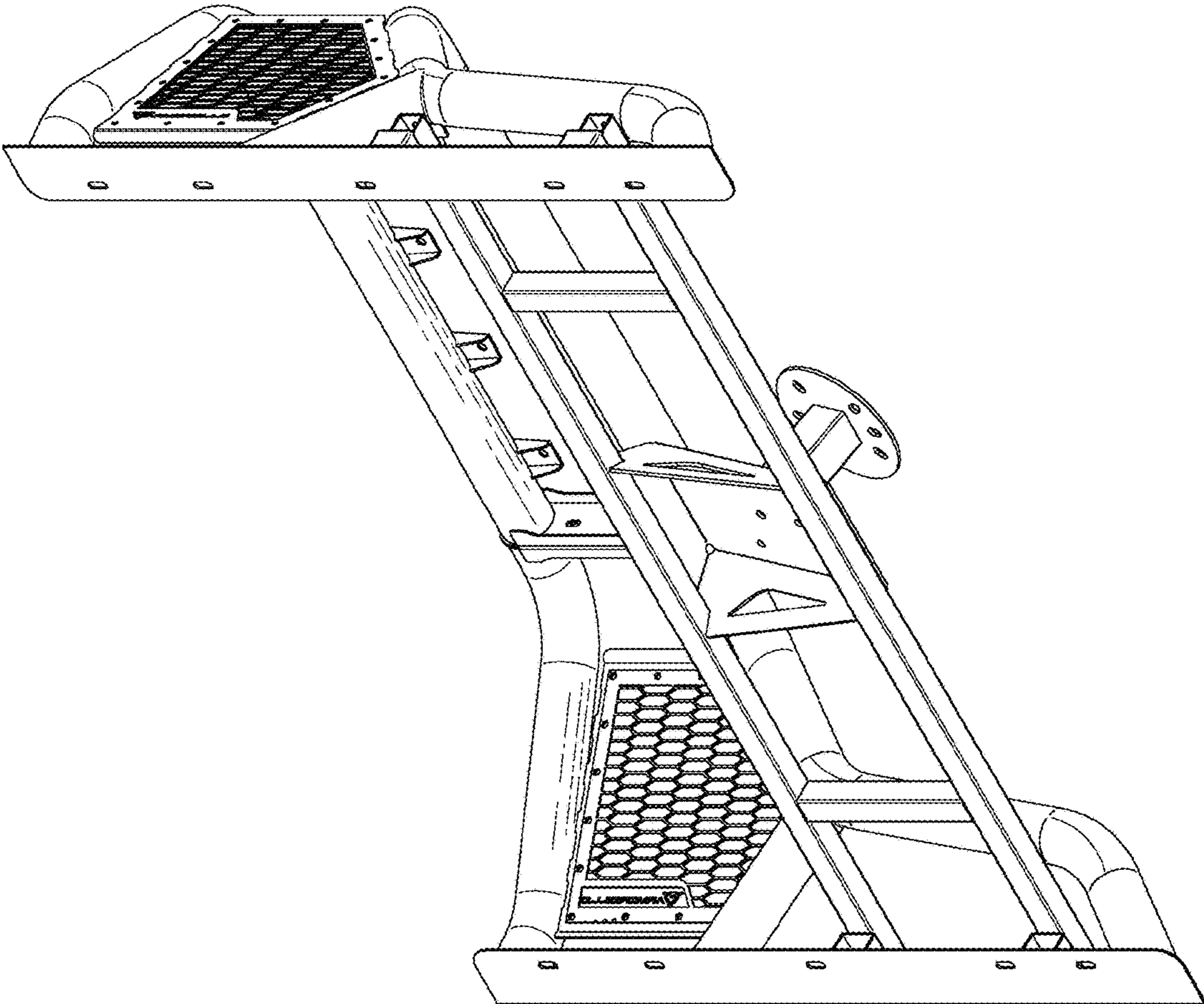
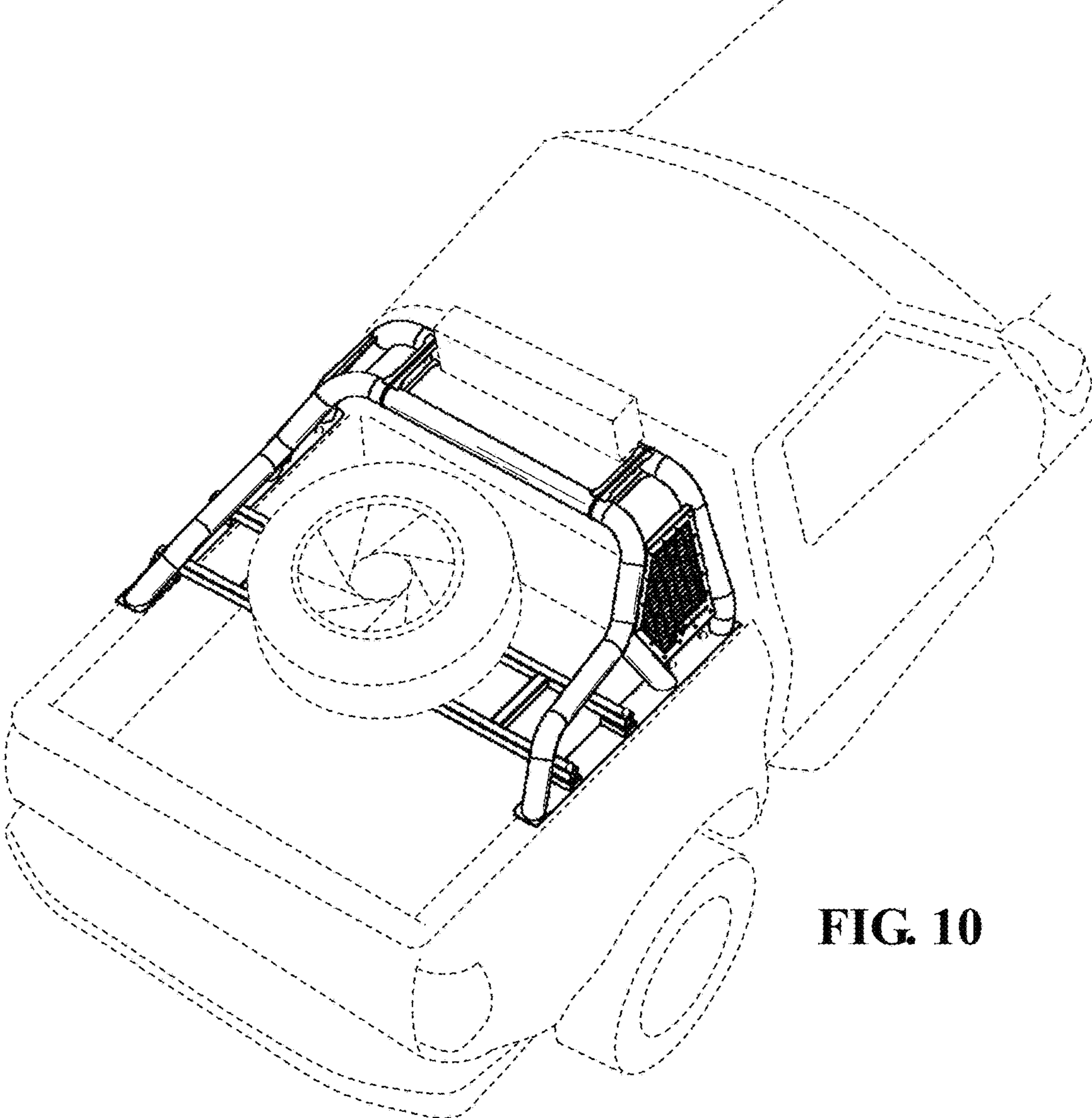


FIG. 9



**FIG. 10**