



US00D861573S

(12) **United States Design Patent** (10) **Patent No.:** **US D861,573 S**  
**He et al.** (45) **Date of Patent:** **\*\* Oct. 1, 2019**

(54) **AERIAL VEHICLE** D768,789 S \* 10/2016 Fargeau ..... D12/16.1  
D772,991 S \* 11/2016 Caubel ..... D12/16.1  
(71) Applicant: **SZ DJI Technology Co., Ltd.,** D777,263 S \* 1/2017 Lavagen ..... D12/16.1  
Shenzhen (CN) D782,365 S \* 3/2017 Hung ..... D12/16.1  
(Continued)

(72) Inventors: **Baichuan He, Shenzhen (CN); Yumian Deng, Shenzhen (CN); Wenbo Li, Shenzhen (CN)**

**FOREIGN PATENT DOCUMENTS**

(73) Assignee: **SZ DJI Technology Co., Ltd.,**  
Shenzhen (CN)

CN 302814372 S 5/2014  
CN 303142773 S 3/2015

(Continued)

(\*\*) Term: **15 Years**

**OTHER PUBLICATIONS**

(21) Appl. No.: **29/634,272**

DJI Mavic Air by bhphotovideo. earliest review date by samuel dated Feb. 12, 2018. found online [Nov. 21, 2018] [https://www.bhphotovideo.com/c/product/1385845-REG/dji\\_cp\\_pt\\_00000130\\_01\\_mavic\\_air\\_onyx\\_black.html](https://www.bhphotovideo.com/c/product/1385845-REG/dji_cp_pt_00000130_01_mavic_air_onyx_black.html).\*

(22) Filed: **Jan. 19, 2018**

(51) **LOC (12) Cl.** ..... **12-07**

(52) **U.S. Cl.**

USPC ..... **D12/328; D12/16.1**

(58) **Field of Classification Search**

USPC ..... D12/16.1, 319-345, 1; D21/436, 438, D21/441, 442, 443, 444, 447, 448, 449, D21/450, 451, 452, 454; D30/160

CPC ... B64C 29/00; B64C 2201/141; B64C 27/24; B64C 27/30; B64C 39/04; B64C 39/00; B64C 27/006; A63H 33/18; A63B 19/02; B64G 9/00

See application file for complete search history.

(Continued)

*Primary Examiner* — Marissa J Cash

(74) *Attorney, Agent, or Firm* — Sterne, Kessler, Goldstein & Fox P.L.L.C.

(57) **CLAIM**

The ornamental design for an aerial vehicle, as shown and described.

**DESCRIPTION**

(56) **References Cited**

**U.S. PATENT DOCUMENTS**

D197,038 S \* 12/1963 Howard ..... D12/329  
D628,658 S \* 12/2010 Wurm ..... D21/442  
D695,674 S 12/2013 Nolan et al.  
D741,779 S 10/2015 Hsiao et al.  
D751,490 S \* 3/2016 Chen ..... D12/16.1  
9,296,477 B1 3/2016 Coburn  
D759,764 S \* 6/2016 Lai ..... D12/16.1  
D760,848 S \* 7/2016 McKenna ..... D12/16.1  
D763,134 S \* 8/2016 Wang ..... D12/16.1  
D767,043 S \* 9/2016 Morrison ..... D12/16.1  
D768,539 S \* 10/2016 Lee ..... D12/16.1

FIG. 1 is a top front perspective view of an aerial vehicle showing the claimed design;

FIG. 2 is a bottom rear perspective view thereof;

FIG. 3 is a front view thereof;

FIG. 4 is a rear view thereof;

FIG. 5 is a left side view thereof;

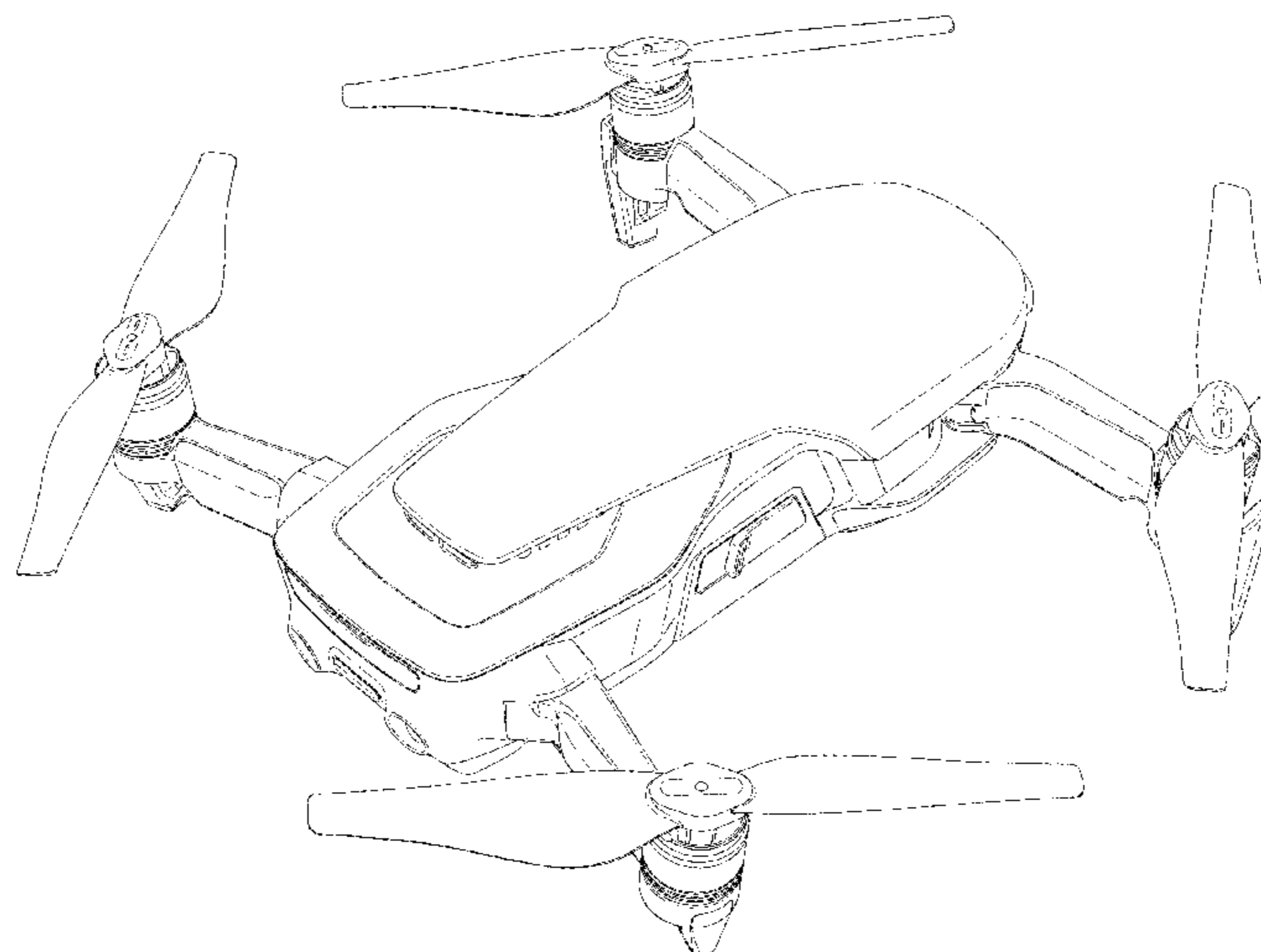
FIG. 6 is a right side view thereof;

FIG. 7 is a top view thereof; and,

FIG. 8 is a bottom view thereof.

The broken lines in the figures show portions of the aerial vehicle that form no part of the claimed design.

**1 Claim, 6 Drawing Sheets**



(56)

References Cited

U.S. PATENT DOCUMENTS

D782,366 S \* 3/2017 Xiao ..... D12/16.1  
 D784,202 S \* 4/2017 Park ..... D12/16.1  
 D784,854 S \* 4/2017 Huang ..... D12/16.1  
 D795,741 S \* 8/2017 Li ..... D12/16.1  
 D795,742 S \* 8/2017 Li ..... D12/16.1  
 D795,743 S \* 8/2017 Li ..... D12/16.1  
 D795,784 S \* 8/2017 Guo ..... D12/328  
 D795,967 S \* 8/2017 Haley ..... D12/16.1  
 D797,602 S \* 9/2017 Li ..... D12/16.1  
 D798,961 S \* 10/2017 Li ..... D21/441  
 D801,224 S \* 10/2017 Li ..... D12/16.1  
 D803,098 S \* 11/2017 Lee ..... D12/16.1  
 D803,328 S \* 11/2017 Lee ..... D21/441  
 D805,425 S \* 12/2017 Hanscom ..... D11/202  
 D805,431 S \* 12/2017 Li ..... D12/16.1  
 D806,606 S \* 1/2018 Morrison ..... D12/16.1  
 D809,992 S \* 2/2018 Hu ..... D12/328  
 D813,723 S \* 3/2018 Ahn ..... D12/16.1  
 D813,724 S \* 3/2018 Hu ..... D12/16.1  
 D814,970 S \* 4/2018 Chen ..... D12/16.1  
 D814,971 S \* 4/2018 Huang ..... D12/16.1  
 D814,972 S \* 4/2018 Ahn ..... D12/16.1  
 D814,973 S \* 4/2018 Li ..... D12/16.1  
 D816,546 S \* 5/2018 Wang ..... D12/16.1  
 D816,582 S \* 5/2018 Liang ..... D12/328  
 D817,850 S \* 5/2018 Xiao ..... D12/328  
 D818,872 S \* 5/2018 Ho ..... D12/16.1  
 D818,874 S \* 5/2018 Tian ..... D12/16.1  
 D819,749 S \* 6/2018 Caubel ..... D21/449  
 D820,158 S \* 6/2018 Jeong ..... D12/16.1  
 D821,263 S \* 6/2018 Goldy ..... D12/16.1  
 D825,379 S \* 8/2018 Gury ..... D12/16.1  
 D827,723 S \* 9/2018 Barajas ..... D21/442  
 D828,222 S \* 9/2018 Yu ..... D12/16.1  
 D830,476 S \* 10/2018 Barse ..... D21/491  
 2010/0224721 A1 9/2010 Wood et al.  
 2014/0117149 A1\* 5/2014 Zhou ..... A63H 27/12  
 244/17.23  
 2015/0336670 A1 11/2015 Zhang  
 2016/0062364 A1 3/2016 Foinet et al.  
 2016/0122017 A1 5/2016 Welker et al.  
 2016/0236777 A1 8/2016 Tang  
 2016/0313732 A1 10/2016 Seydoux et al.  
 2016/0313742 A1 10/2016 Wang

2016/0375997 A1\* 12/2016 Welsh ..... B64C 39/024  
 244/17.23  
 2016/0376004 A1\* 12/2016 Claridge ..... B64C 19/00  
 701/3  
 2017/0001721 A1 1/2017 Saika et al.  
 2017/0078552 A1 3/2017 Pochon et al.  
 2017/0101174 A1\* 4/2017 Ou ..... B64C 27/08  
 2017/0113789 A1\* 4/2017 Ou ..... H02G 3/04  
 2017/0174316 A1\* 6/2017 Huddleston, Jr. .... B64C 11/00  
 2017/0217599 A1\* 8/2017 Peng ..... B64C 25/08  
 2017/0237948 A1\* 8/2017 Quast ..... B64C 39/02  
 348/144  
 2017/0247113 A1\* 8/2017 Sanlerville ..... B64C 27/08  
 2017/0301109 A1\* 10/2017 Chan ..... G06T 7/75  
 2017/0327222 A1\* 11/2017 He ..... B64C 1/06  
 2017/0340176 A1\* 11/2017 Liao ..... A47L 1/02  
 2018/0032087 A1\* 2/2018 Line ..... B64C 39/024  
 2018/0208301 A1\* 7/2018 Ye ..... B64C 27/32  
 2018/0281941 A1\* 10/2018 Hutson ..... B64C 29/0016

FOREIGN PATENT DOCUMENTS

CN 303189591 S 4/2015  
 CN 303197220 S 5/2015  
 CN 303274617 S 7/2015  
 CN 303403033 S 10/2015  
 CN 303478219 S 12/2015  
 CN 303562865 S 1/2016  
 CN 303562867 S 1/2016  
 CN 205971800 U 2/2017  
 CN 205998124 U 3/2017  
 JP D1538530 11/2015  
 JP D1614833 \* 1/2018  
 JP D1616129 \* 1/2018  
 JP D1616417 \* 1/2018  
 WO WO 2010-036419 A2 4/2010

OTHER PUBLICATIONS

“Mavic,” posted at DJI.com, site visited Apr. 11, 2017, <<http://www.dji.com/mavic>>.  
 DJI Mavic Pro review, posted on CNET.com, site visited Apr. 11, 2017, <<https://www.cnet.com/products/dji-mavic-pro/review/>>.  
 “The DJI Mavic Is Here!,” posted at Topfivedrones.com, site visited Apr. 11, 2017, <<http://topfivedrones.com/the-dji-mavic-is-here/>>.

\* cited by examiner

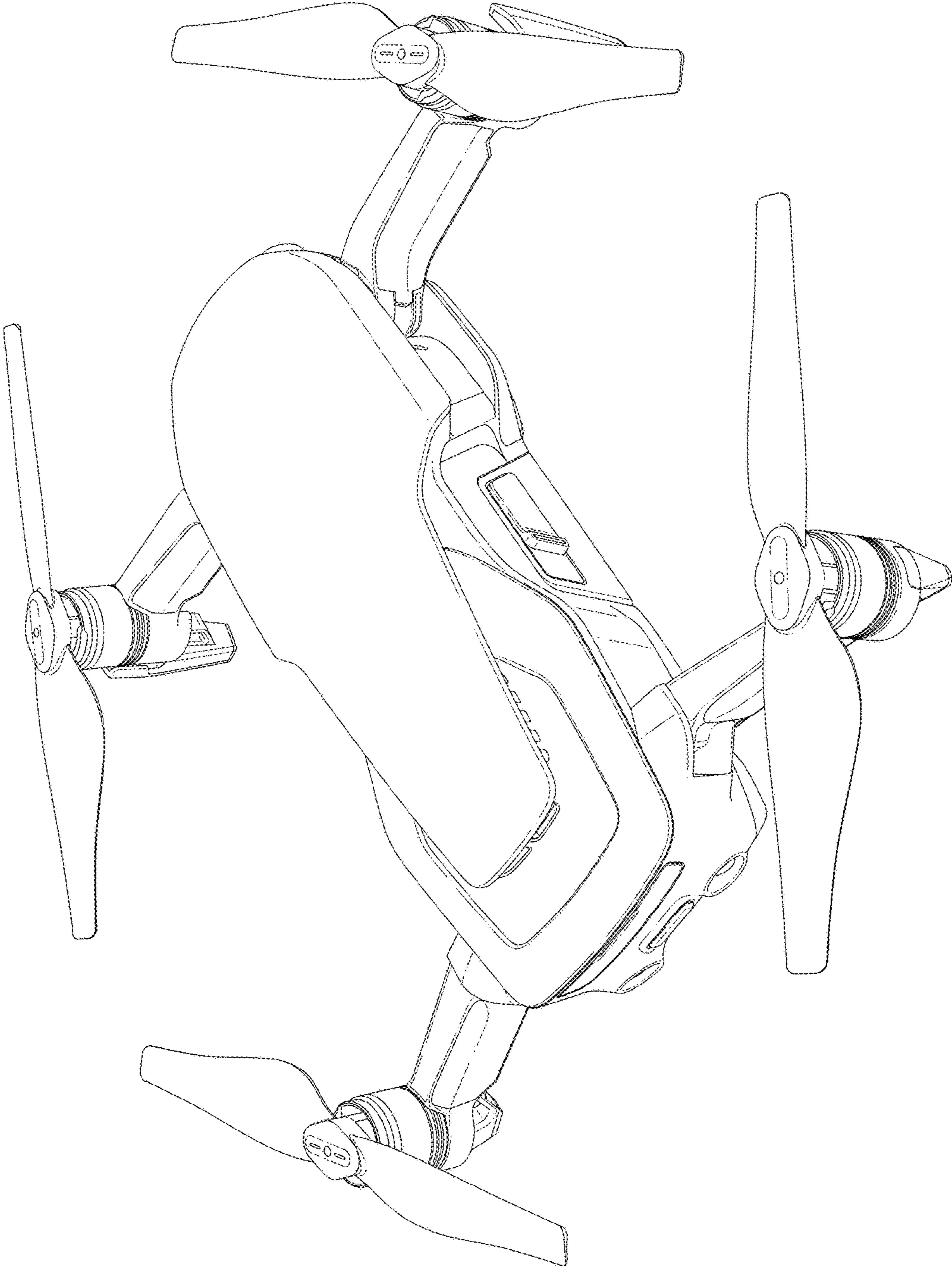


FIG. 1

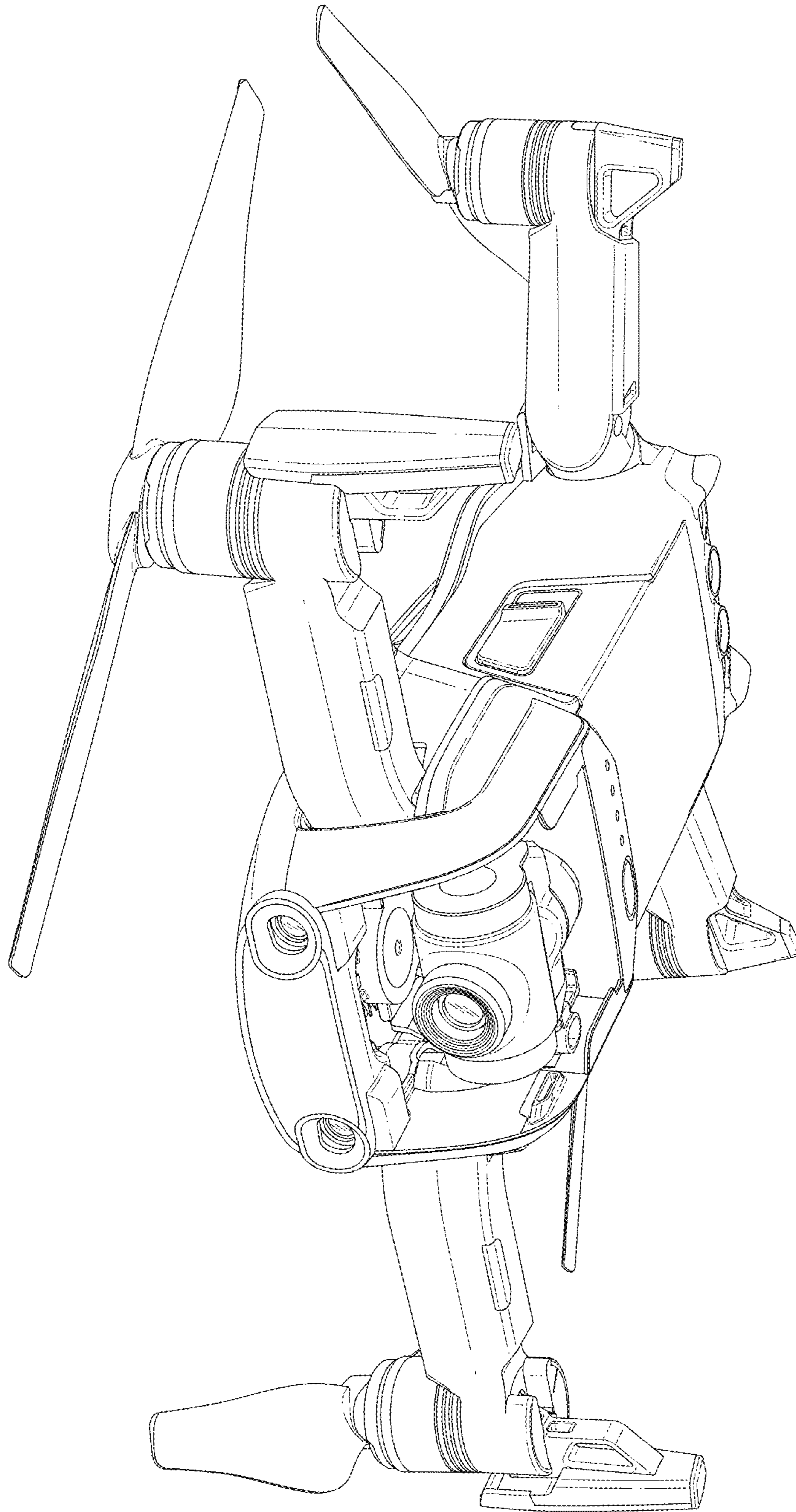


FIG. 2

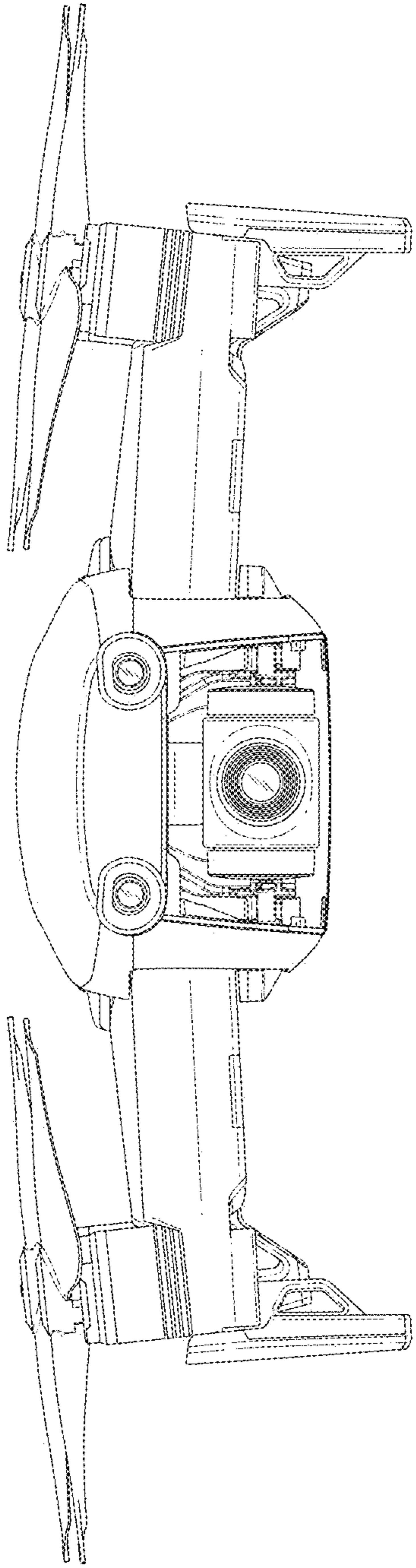


FIG. 3

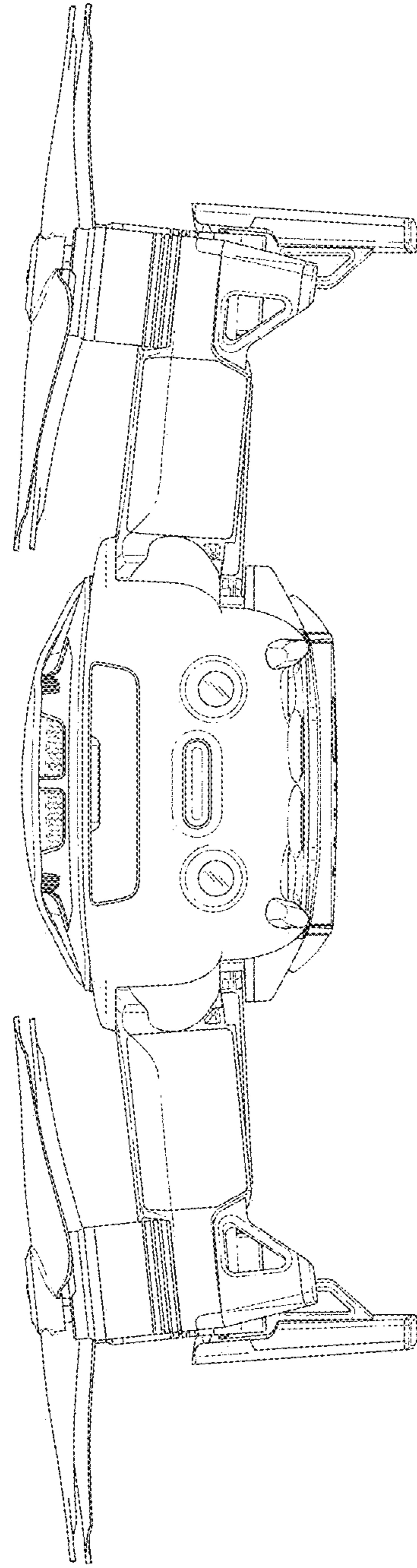


FIG. 4

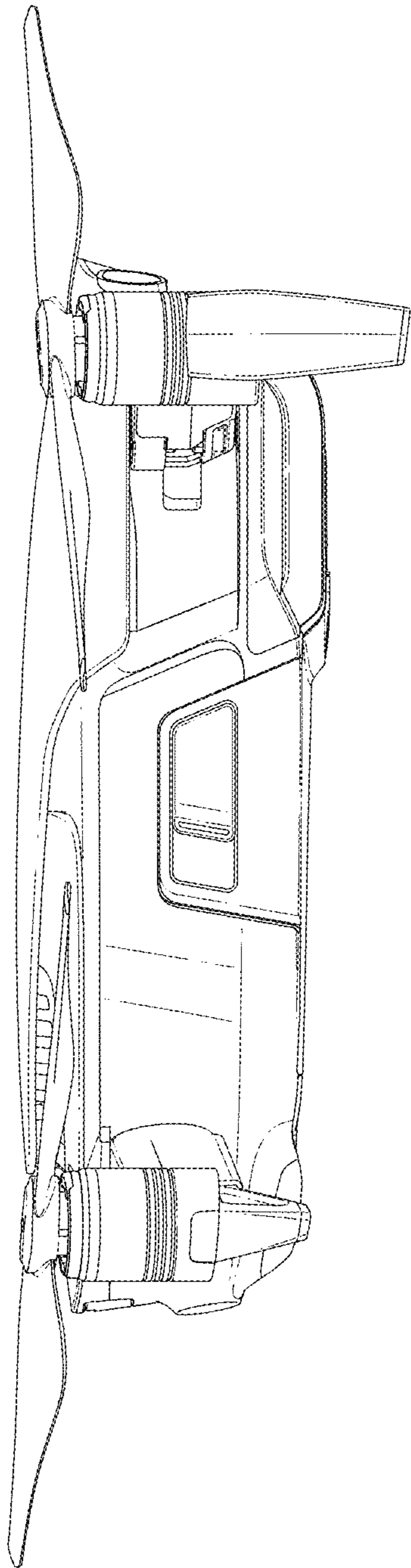


FIG. 5

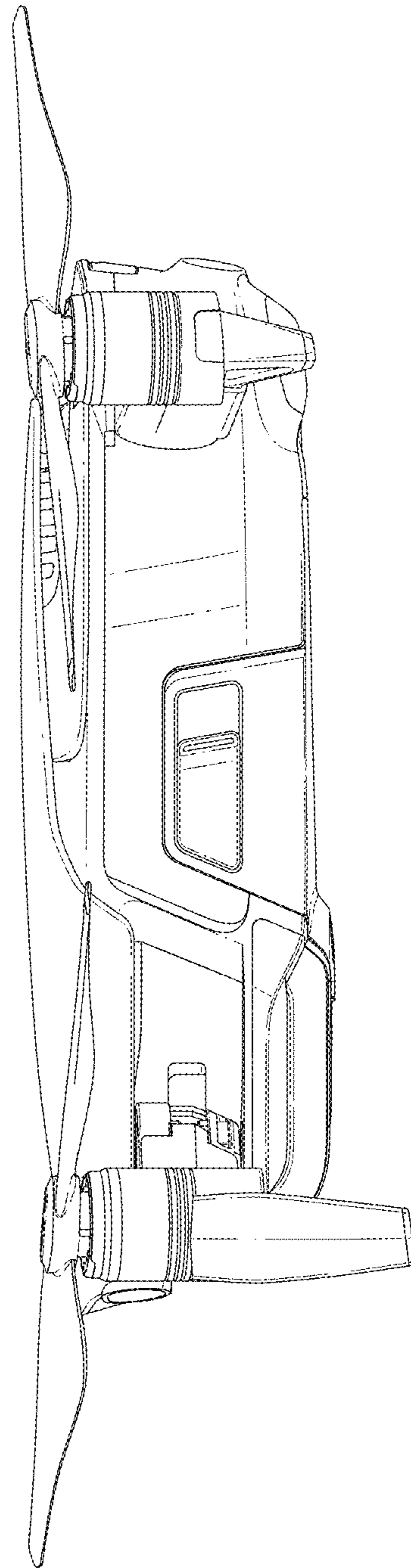


FIG. 6

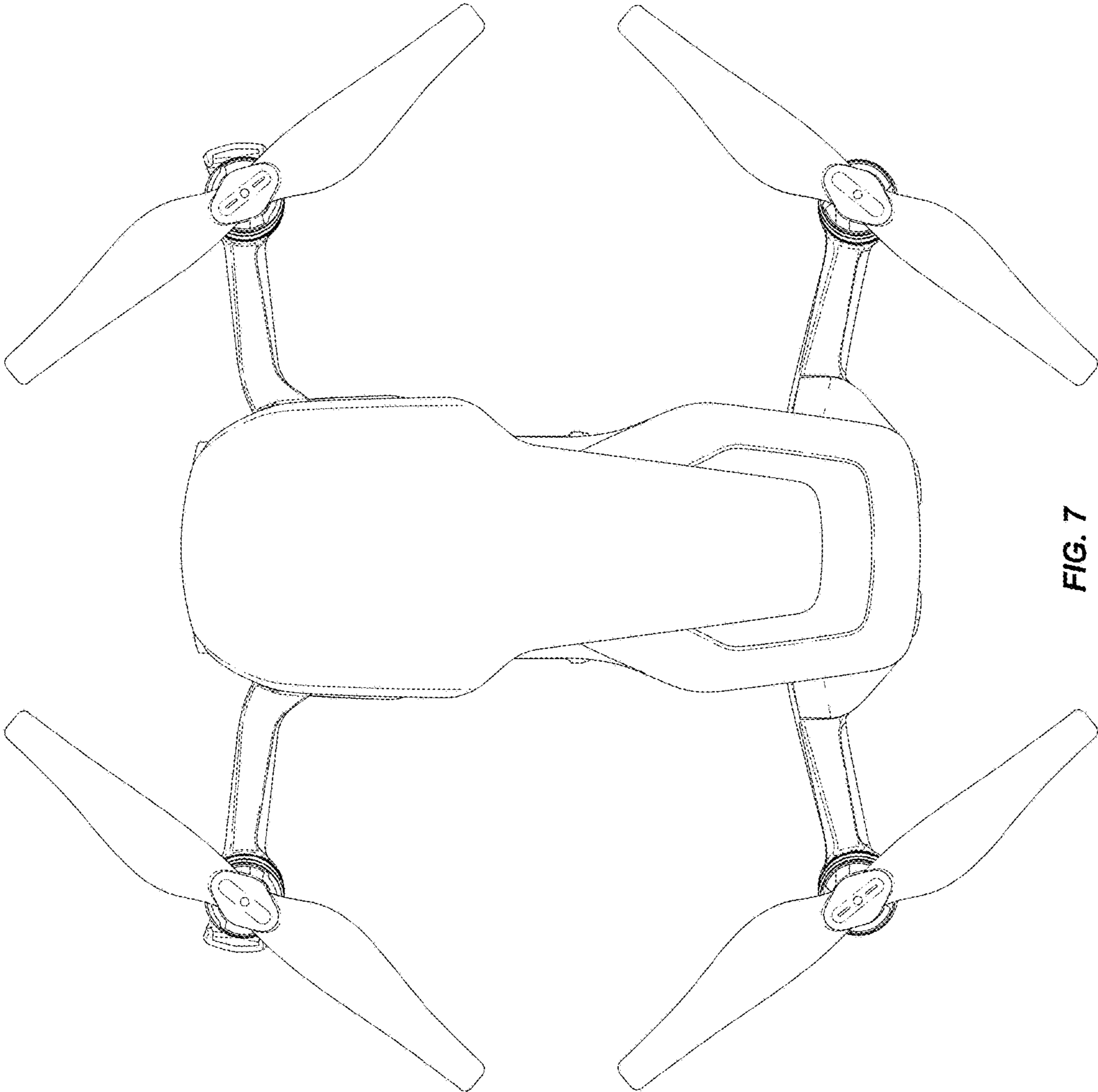


FIG. 7

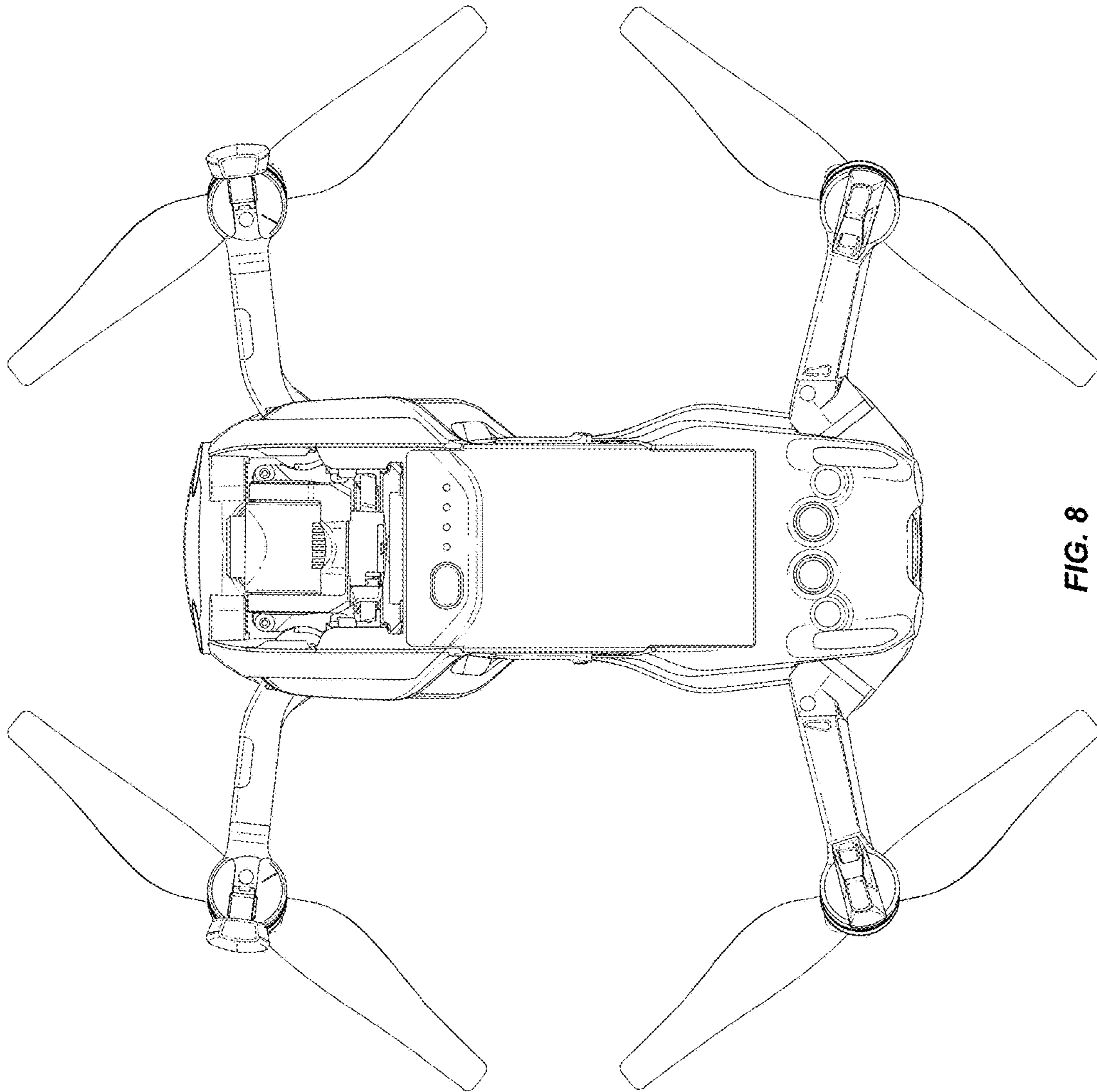


FIG. 8