

US00D861571S

(12) **United States Design Patent**
Ceccarelli

(10) **Patent No.:** **US D861,571 S**

(45) **Date of Patent:** **** Oct. 1, 2019**

(54) **MARINE ANCHOR FLUKE**
(71) Applicant: **Charles J Ceccarelli**, Mountain Home, ID (US)

D676,796 S *	2/2013	Wood	D12/215
D684,102 S *	6/2013	Gelb	D12/215
D763,775 S *	8/2016	Wood	D12/215
D766,156 S *	9/2016	Hron	D12/215
2010/0058968 A1 *	3/2010	Francis	B63B 21/32 114/301

(72) Inventor: **Charles J Ceccarelli**, Mountain Home, ID (US)

* cited by examiner

(**) Term: **15 Years**

Primary Examiner — Michelle E. Wilson

Assistant Examiner — Clese Moore, Jr.

(21) Appl. No.: **29/587,130**

(74) *Attorney, Agent, or Firm* — Charles R. Clark

(22) Filed: **Dec. 9, 2016**

(57) **CLAIM**

(51) **LOC (12) Cl.** **12-06**

I claim the ornamental design for a marine anchor fluke, as shown and described.

(52) **U.S. Cl.**
USPC **D12/215**

DESCRIPTION

(58) **Field of Classification Search**
USPC D12/215, 300, 317
CPC B63B 21/24; B63B 21/243; B63B 21/32;
B63B 21/34
See application file for complete search history.

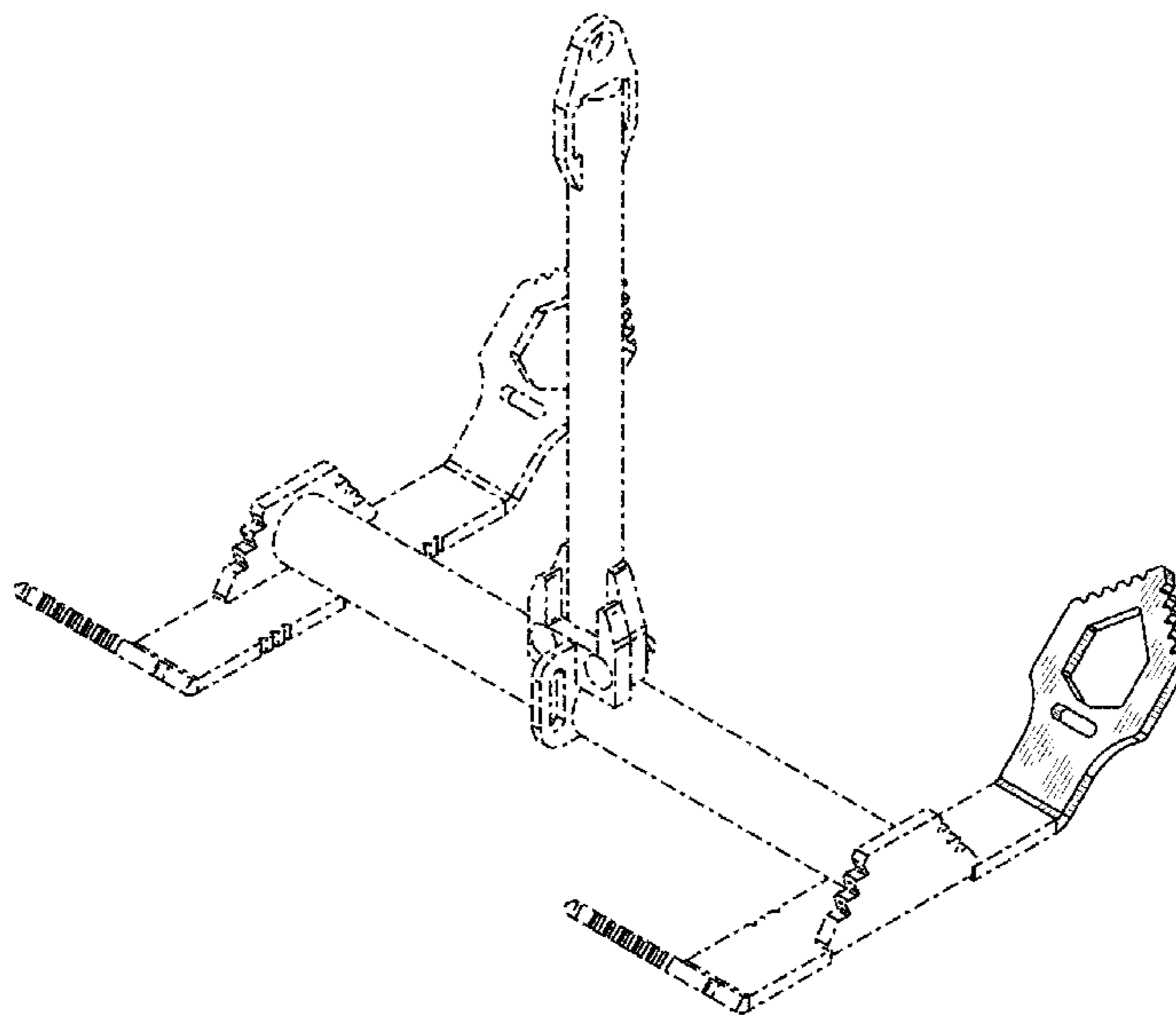
FIG. 1 is a top perspective view of a marine anchor fluke showing my new design;
FIG. 2 is a top perspective view of the marine anchor fluke of FIG. 1;
FIG. 3 is a front view of the marine anchor fluke of FIG. 1;
FIG. 4 is a bottom perspective view of the marine anchor fluke of FIG. 1;
FIG. 5 is a side view of the marine anchor fluke of FIG. 1;
FIG. 6 is a top view of the marine anchor fluke of FIG. 1;
FIG. 7 is a top perspective view of an alternative embodiment of a marine anchor fluke;
FIG. 8 is a front view of the marine anchor fluke of FIG. 7;
FIG. 9 is a bottom perspective view of the marine anchor fluke of FIG. 7;
FIG. 10 is a side view of the marine anchor fluke of FIG. 7; and,
FIG. 11 is a top view of the marine anchor fluke of FIG. 7. The spaced broken lines showing other parts of a marine anchor in FIG. 1 are for the purposes of illustrating environment and form no part of the claimed design.

(56) **References Cited**

U.S. PATENT DOCUMENTS

D259,781 S *	7/1981	Holmes	D12/215
D280,193 S *	8/1985	Spanner	D12/215
D306,424 S *	3/1990	Bruce	D12/215
D347,206 S *	5/1994	Smith	D12/215
D375,717 S *	11/1996	Dick	D12/215
D387,322 S *	12/1997	Mele	D12/215
D427,559 S *	7/2000	Mele	D12/215
6,240,871 B1 *	6/2001	Courtheyn	B63B 21/34 114/301
D444,440 S *	7/2001	Peabody	D12/215
D452,471 S *	12/2001	Hoareau	D12/215
D453,915 S *	2/2002	Goodsell	D12/215
D552,526 S *	10/2007	Smith	D12/215
D556,666 S *	12/2007	Mair	D12/215
D587,182 S *	2/2009	Walton	D12/215
D607,397 S *	1/2010	Tung	D12/215

1 Claim, 5 Drawing Sheets



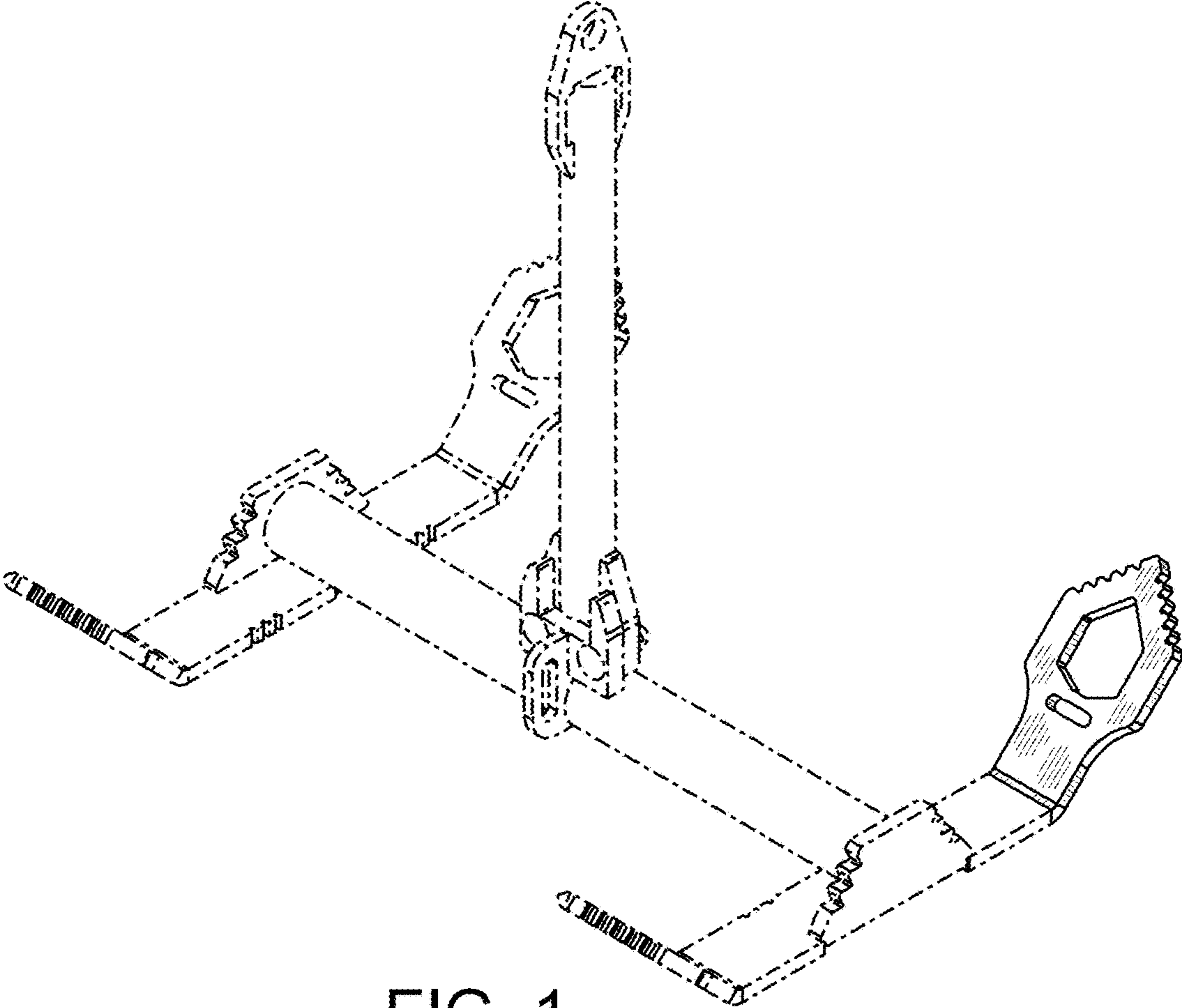


FIG. 1

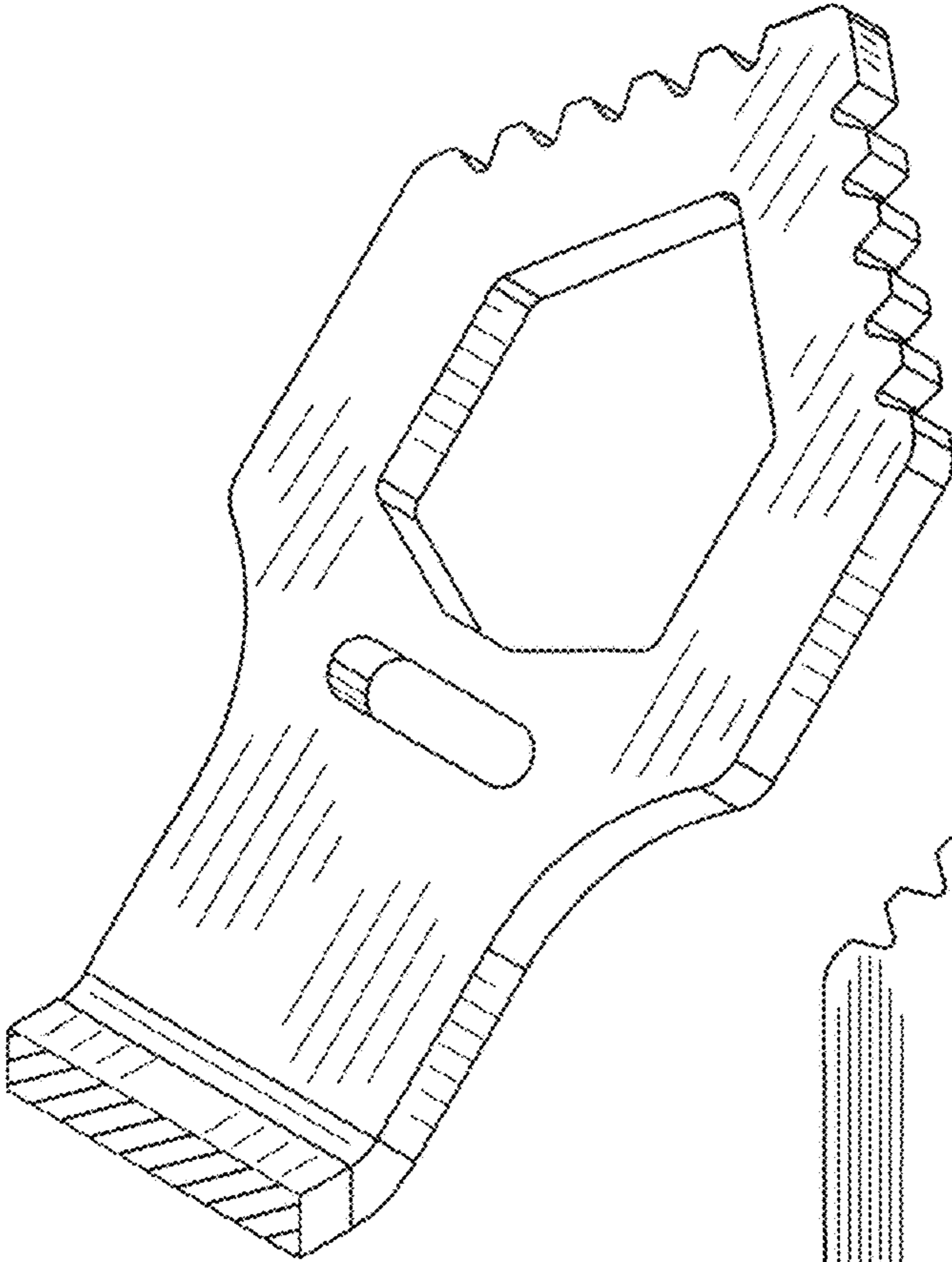


FIG. 2

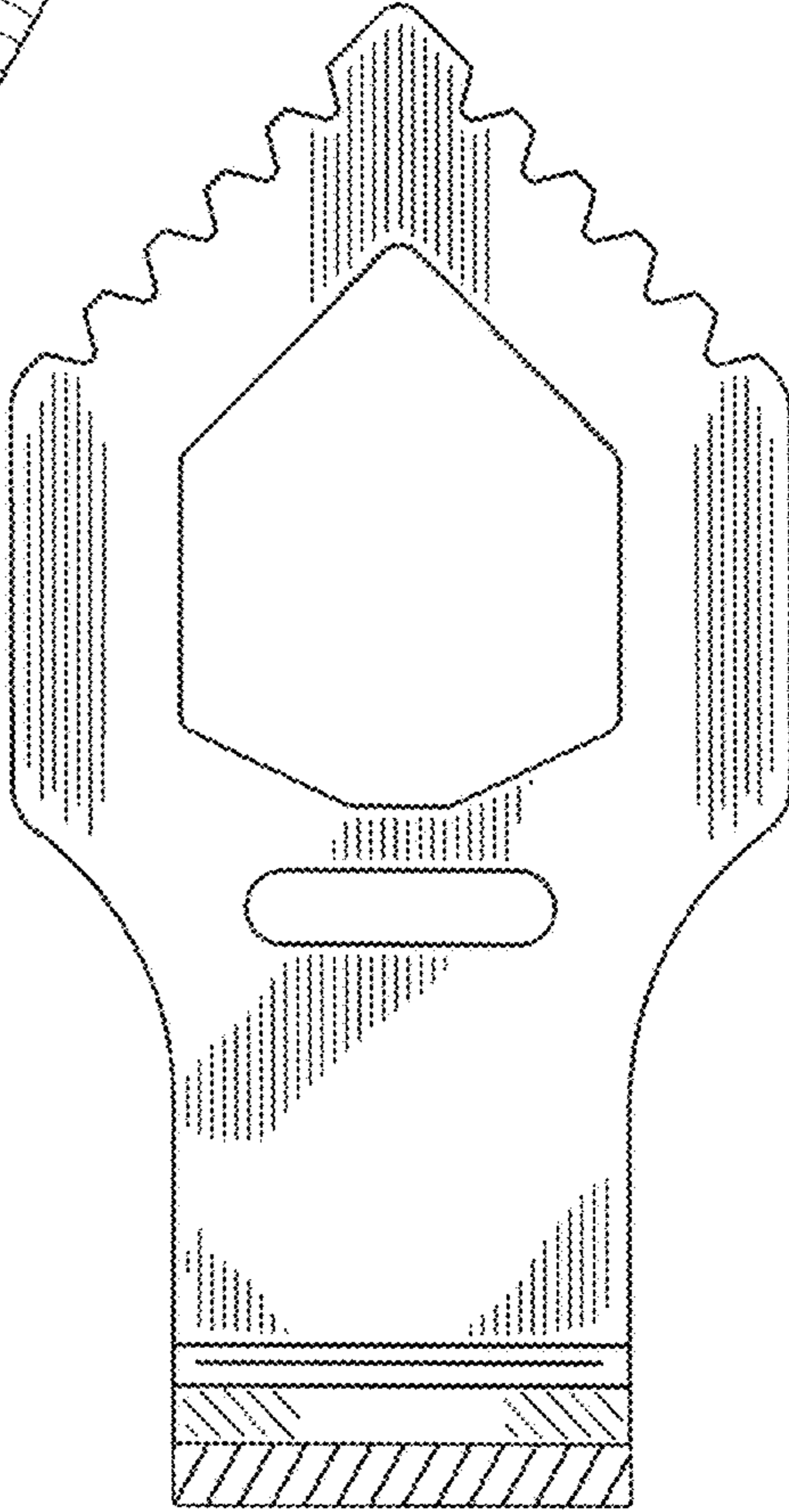


FIG. 3

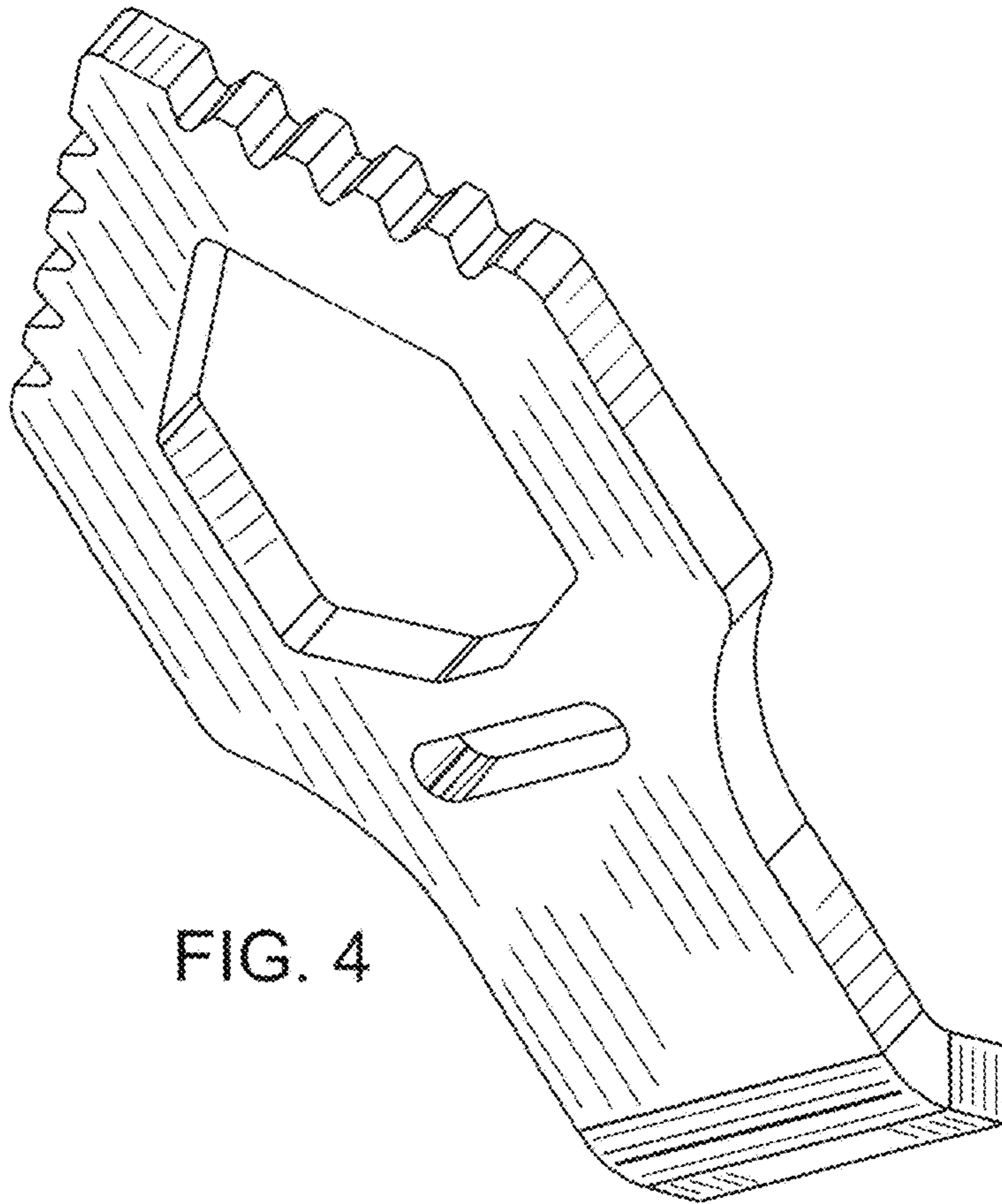


FIG. 4

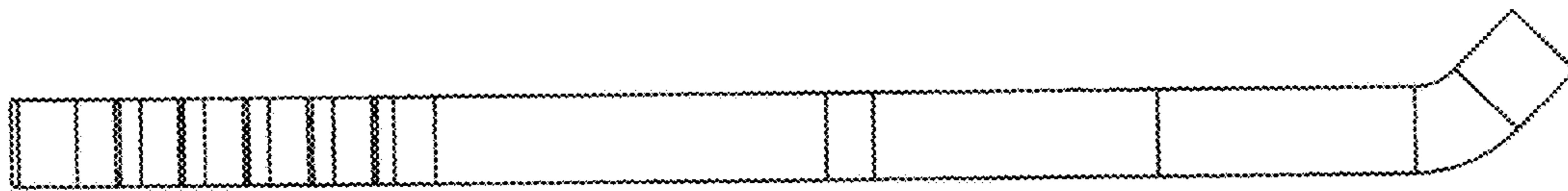


FIG. 5

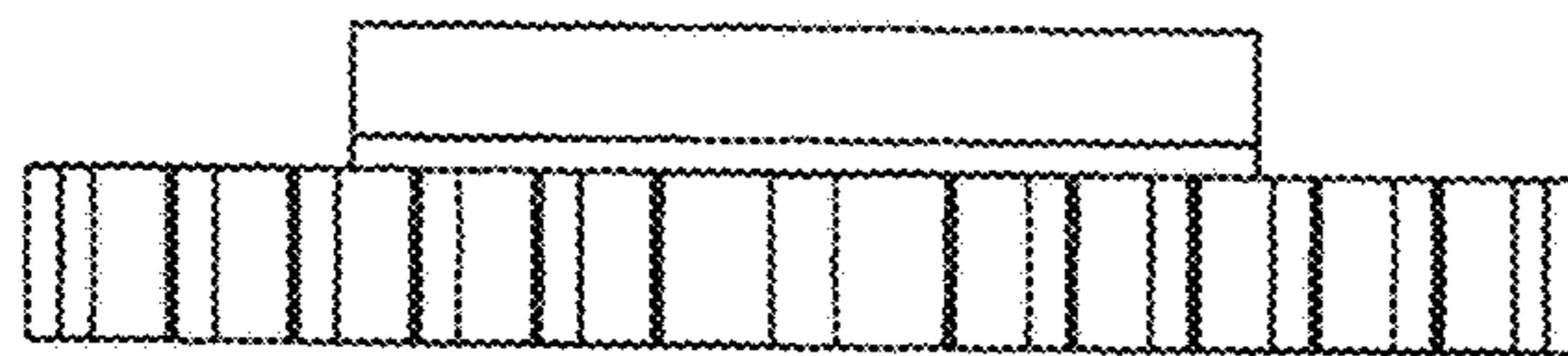


FIG. 6

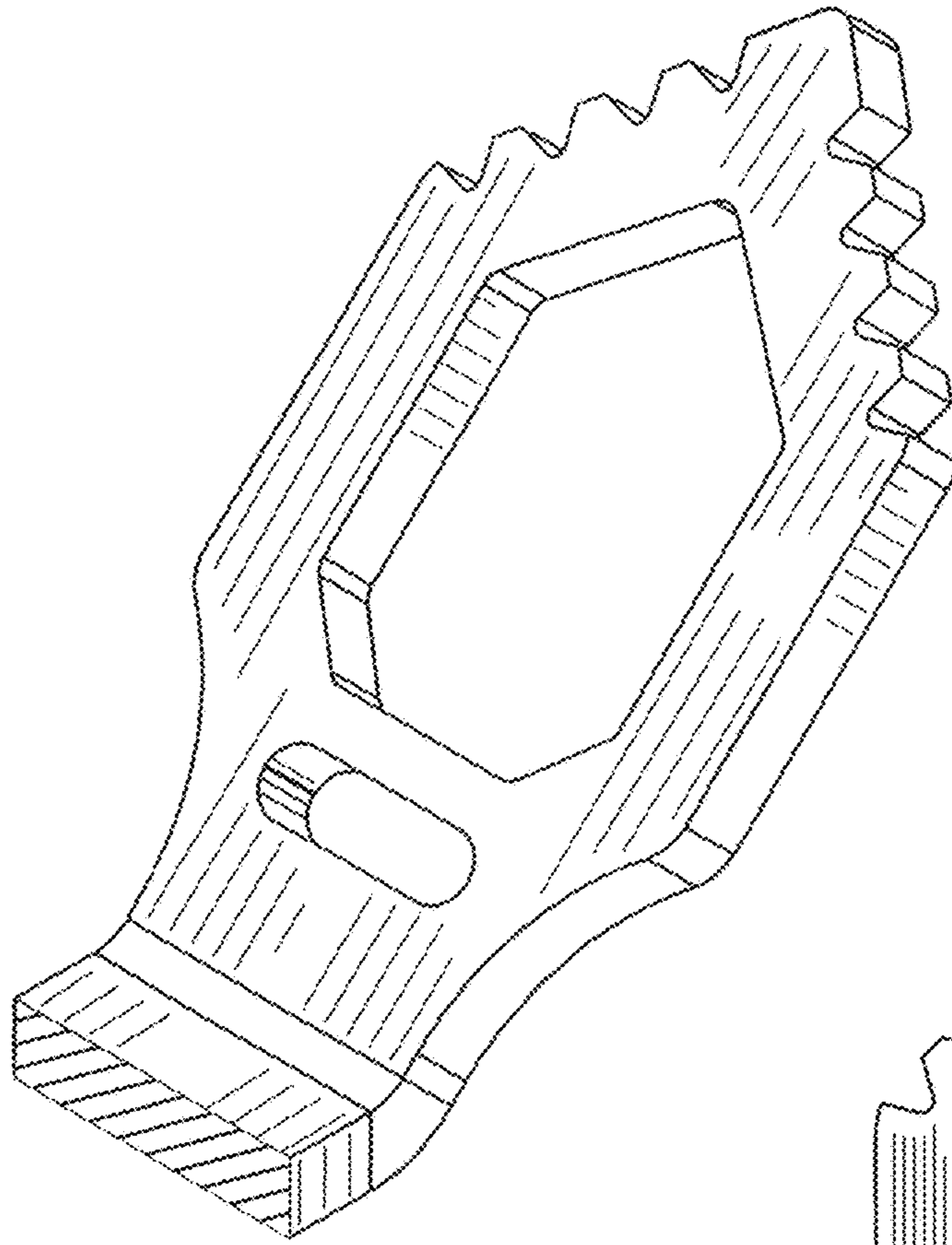


FIG. 7

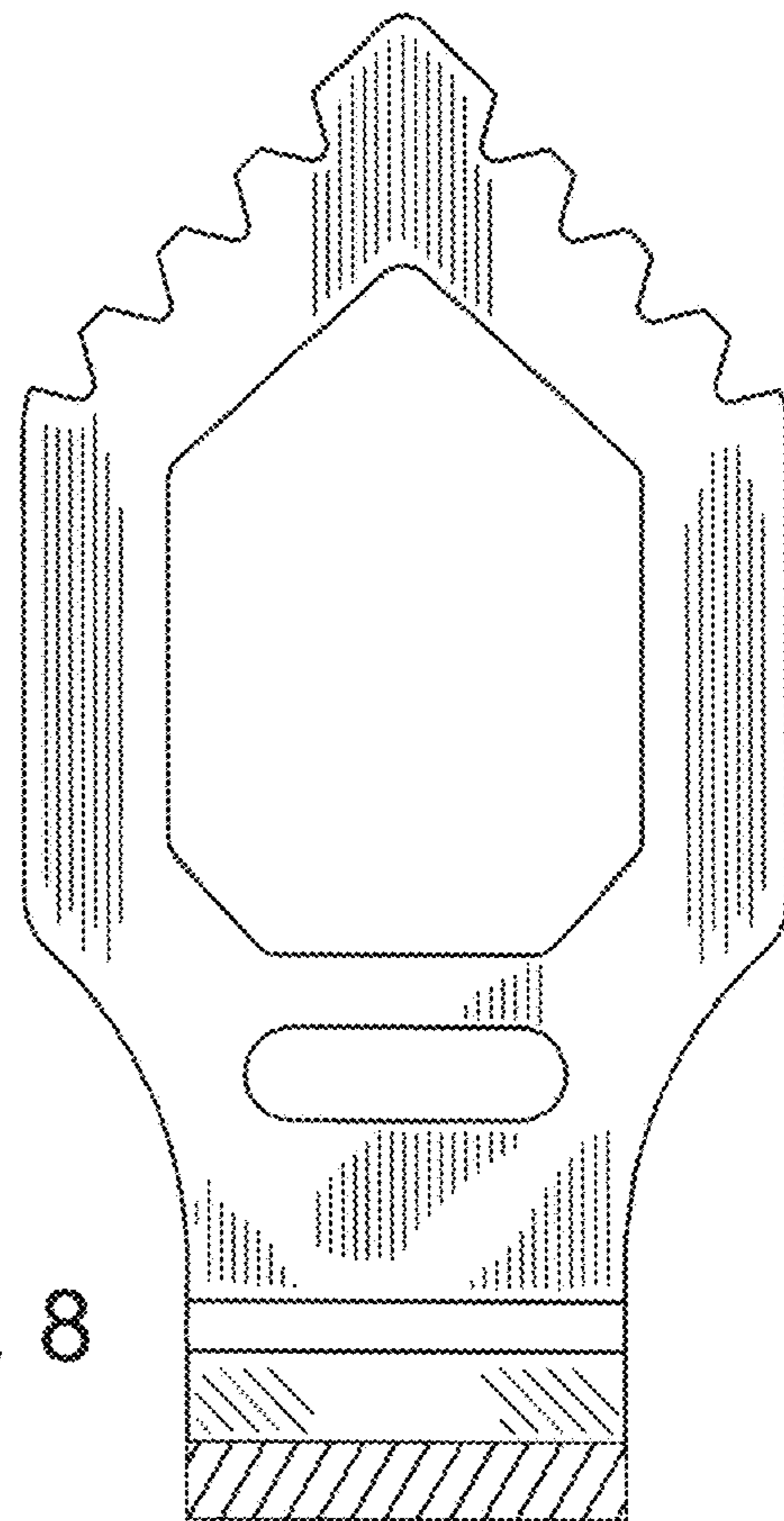


FIG. 8

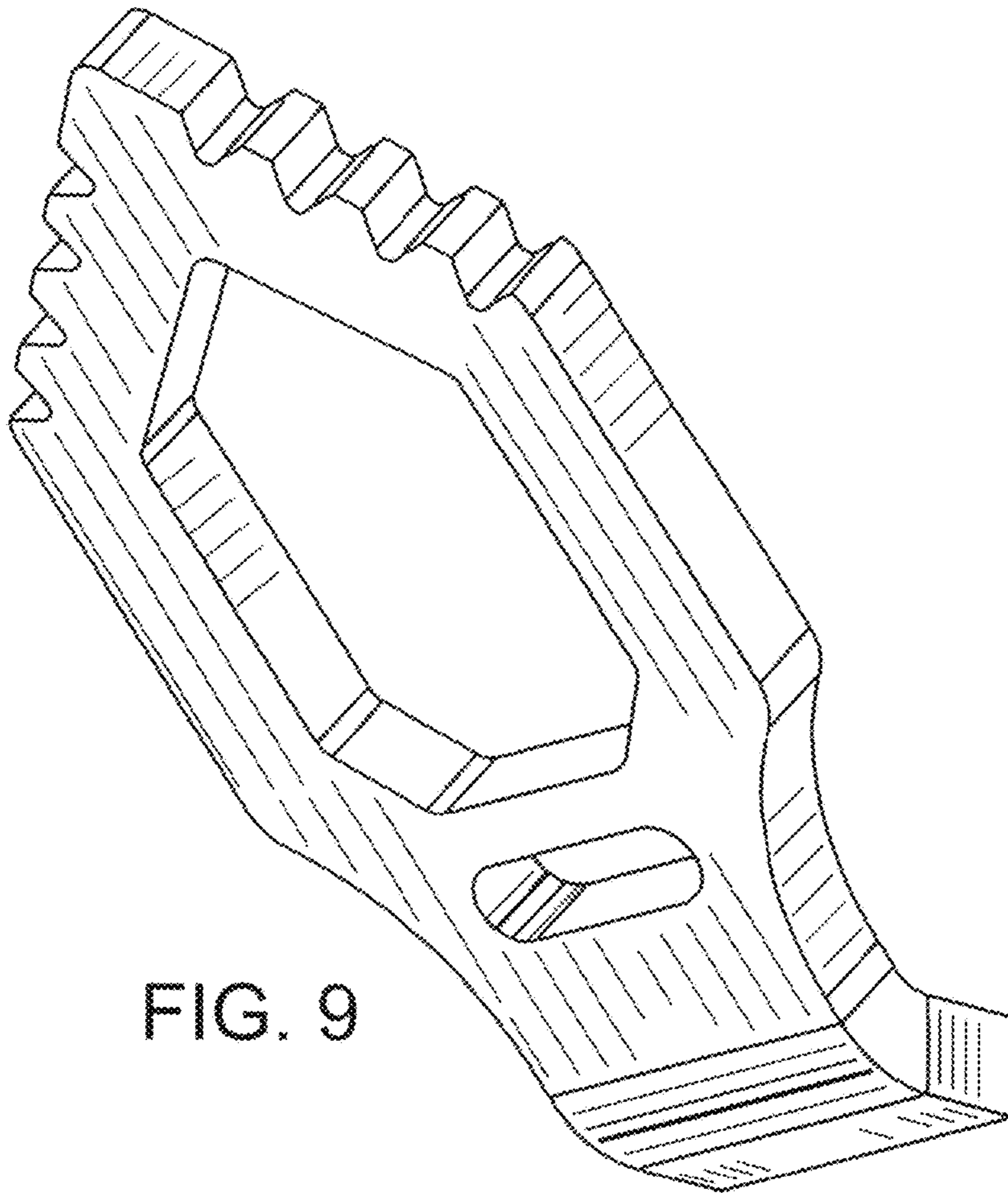


FIG. 9

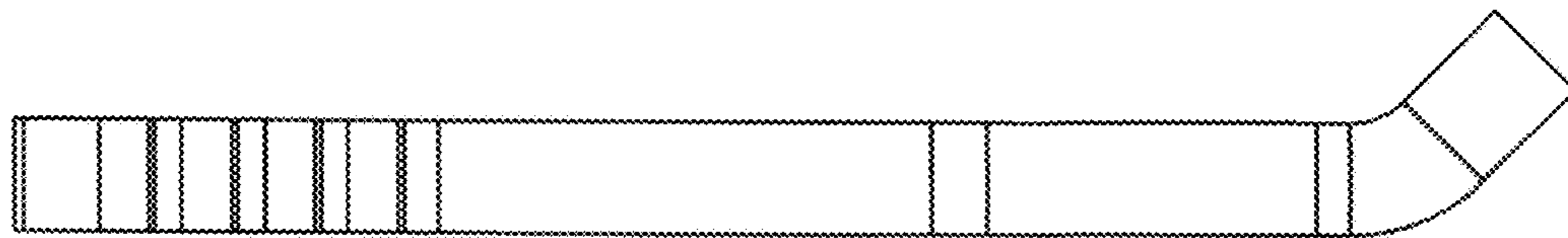


FIG. 10

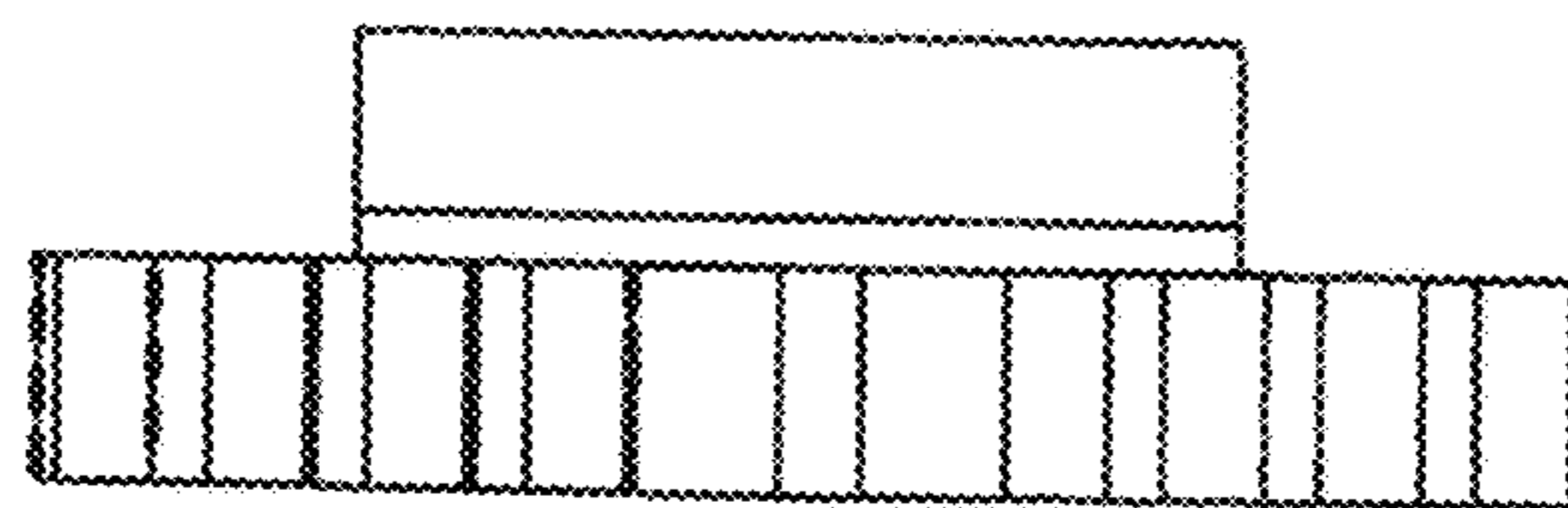


FIG. 11