



US00D861569S

(12) **United States Design Patent**
Kikuchi

(10) **Patent No.:** **US D861,569 S**

(45) **Date of Patent:** **** Oct. 1, 2019**

(54) **WHEEL FOR AN AUTOMOBILE**

(71) Applicant: **Subaru Corporation**, Tokyo (JP)

(72) Inventor: **Kouta Kikuchi**, Tokyo (JP)

(73) Assignee: **Subaru Corporation**, Tokyo (JP)

(**) Term: **15 Years**

(21) Appl. No.: **29/658,238**

(22) Filed: **Jul. 30, 2018**

(30) **Foreign Application Priority Data**

Jan. 30, 2018 (JP) 2018-001676

(51) **LOC (12) Cl.** **12-16**

(52) **U.S. Cl.**
USPC **D12/209**

(58) **Field of Classification Search**
USPC D12/204–213
CPC B60B 7/00; B60B 7/02; B60B 7/04; B60B
7/01; B60B 7/06; B60B 3/02; B60B 3/04;
B60B 3/06; B60B 3/10; B60B 1/00;
B60B 1/08; B60B 1/10; B60B 1/12
See application file for complete search history.

(56) **References Cited**

U.S. PATENT DOCUMENTS

D436,339 S *	1/2001	Fitzgerald	D12/209
D453,133 S *	1/2002	Murkett	D12/209
D460,728 S *	7/2002	Clarke	D12/209
D460,941 S *	7/2002	Muzzarelli	D12/211
D491,123 S *	6/2004	Lai	D12/209
D511,488 S *	11/2005	Hou	D12/209

D568,224 S *	5/2008	Szavits	D12/209
D572,649 S *	7/2008	Laengerer	D12/211
D576,533 S *	9/2008	Gallert	D12/209
D620,868 S *	8/2010	Gallert	D12/211
D664,910 S *	8/2012	Gallert	D12/211
D671,877 S *	12/2012	Roura	D12/209
D671,878 S *	12/2012	Telaak	D12/209
D685,708 S *	7/2013	Gallert	D12/209
D703,124 S *	4/2014	Gallert	D12/209
D712,329 S *	9/2014	Borkert	D12/209
D714,704 S *	10/2014	Kim	D12/211
D732,453 S *	6/2015	Gallert	D12/211
D742,799 S *	11/2015	Zhao	D12/211
D747,675 S *	1/2016	Johnson	D12/211
D761,710 S *	7/2016	Gallert	D12/209
D774,439 S *	12/2016	Gallert	D12/211

* cited by examiner

Primary Examiner — Stacia A Cadmus

(74) *Attorney, Agent, or Firm* — Schiff Hardin LLP

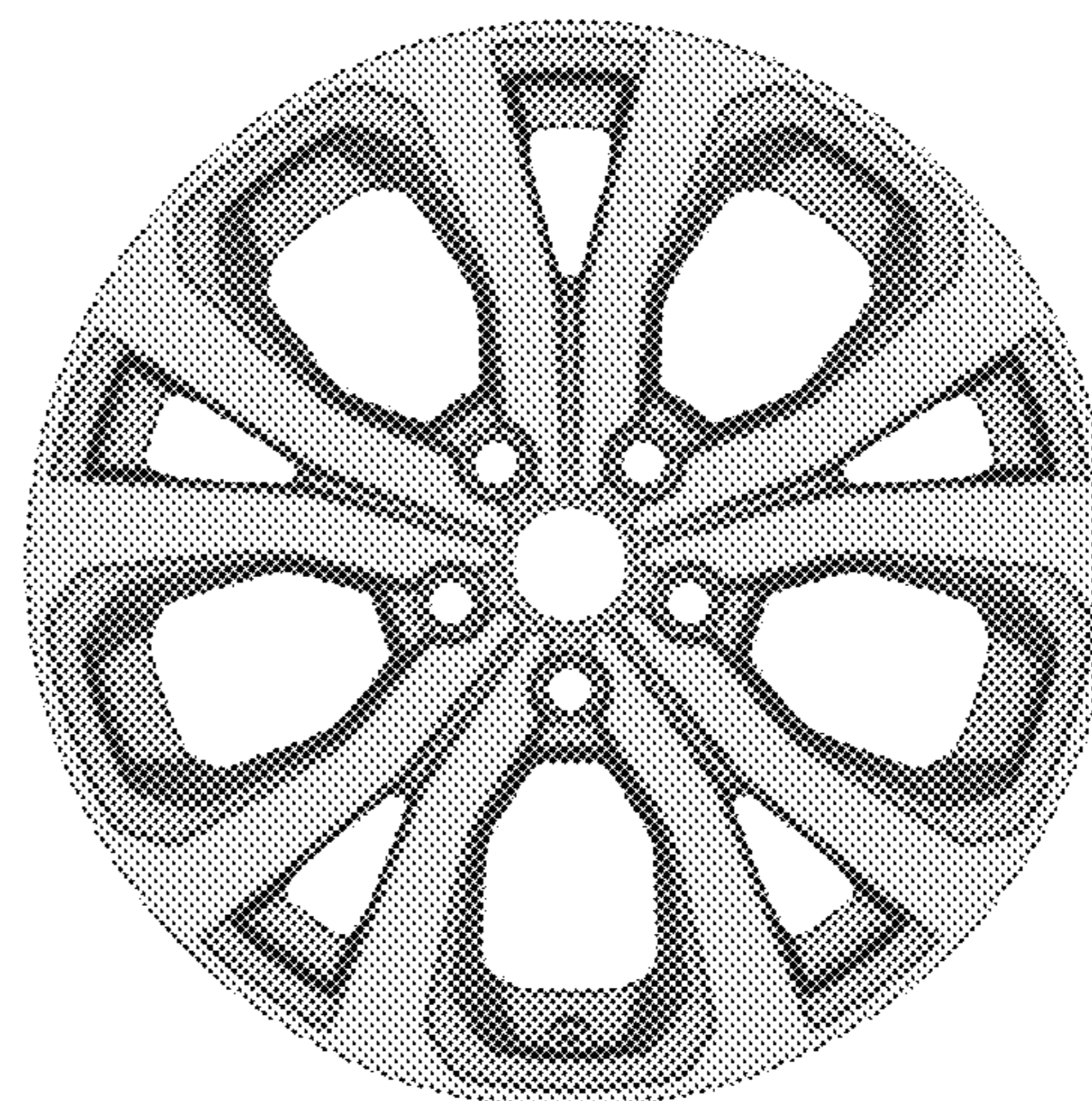
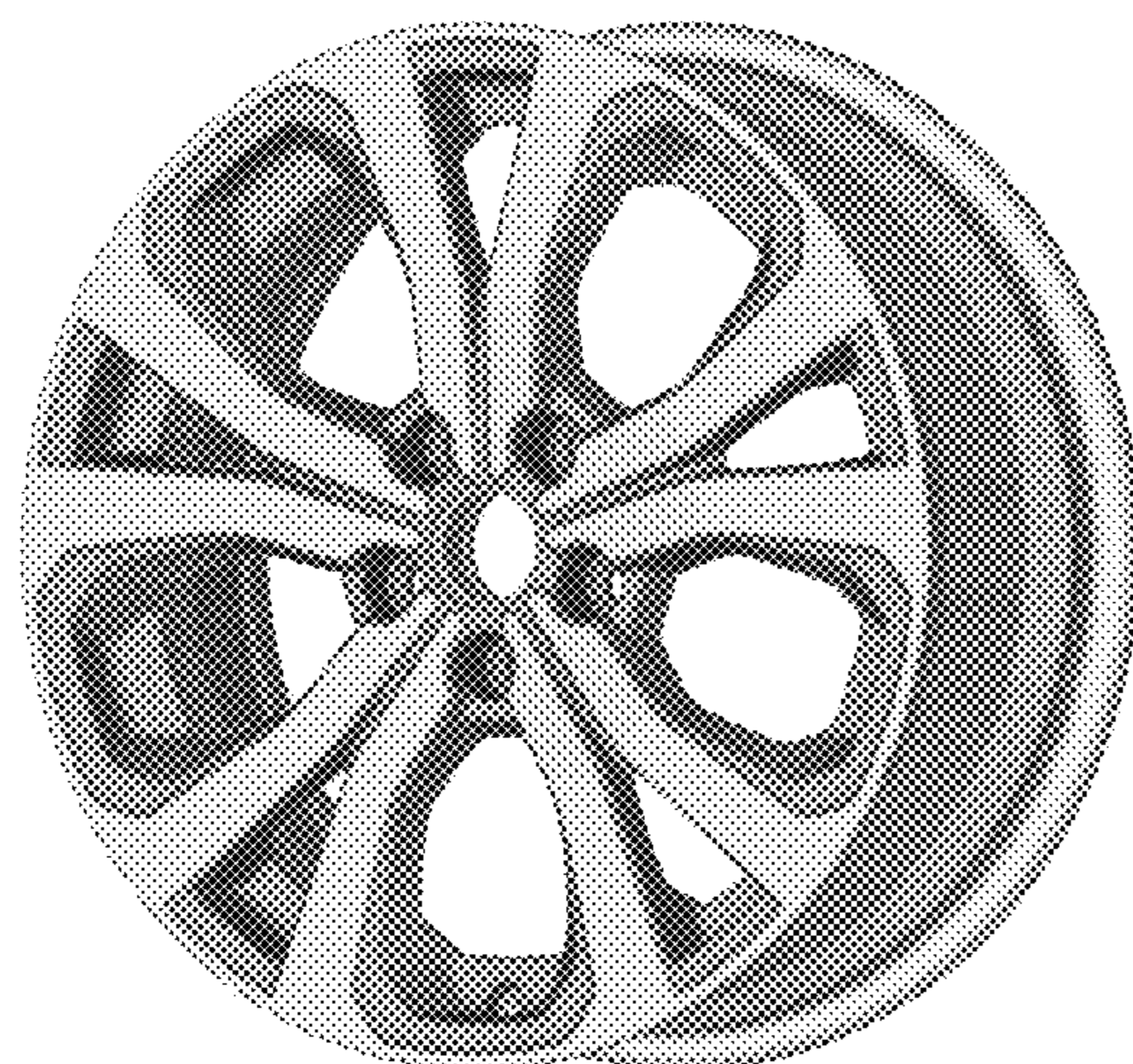
(57) **CLAIM**

I claim the ornamental design for a wheel for an automobile, as shown and described.

DESCRIPTION

FIG. 1 is a front perspective view for a “wheel for an automobile” showing my new design, FIG. 2 is a rear perspective view thereof, FIG. 3 is a front view thereof, FIG. 4 is a rear view thereof, FIG. 5 is a top view thereof, FIG. 6 is a bottom view thereof, FIG. 7 is a left-side view thereof; and, FIG. 8 is a right-side view thereof.

1 Claim, 8 Drawing Sheets



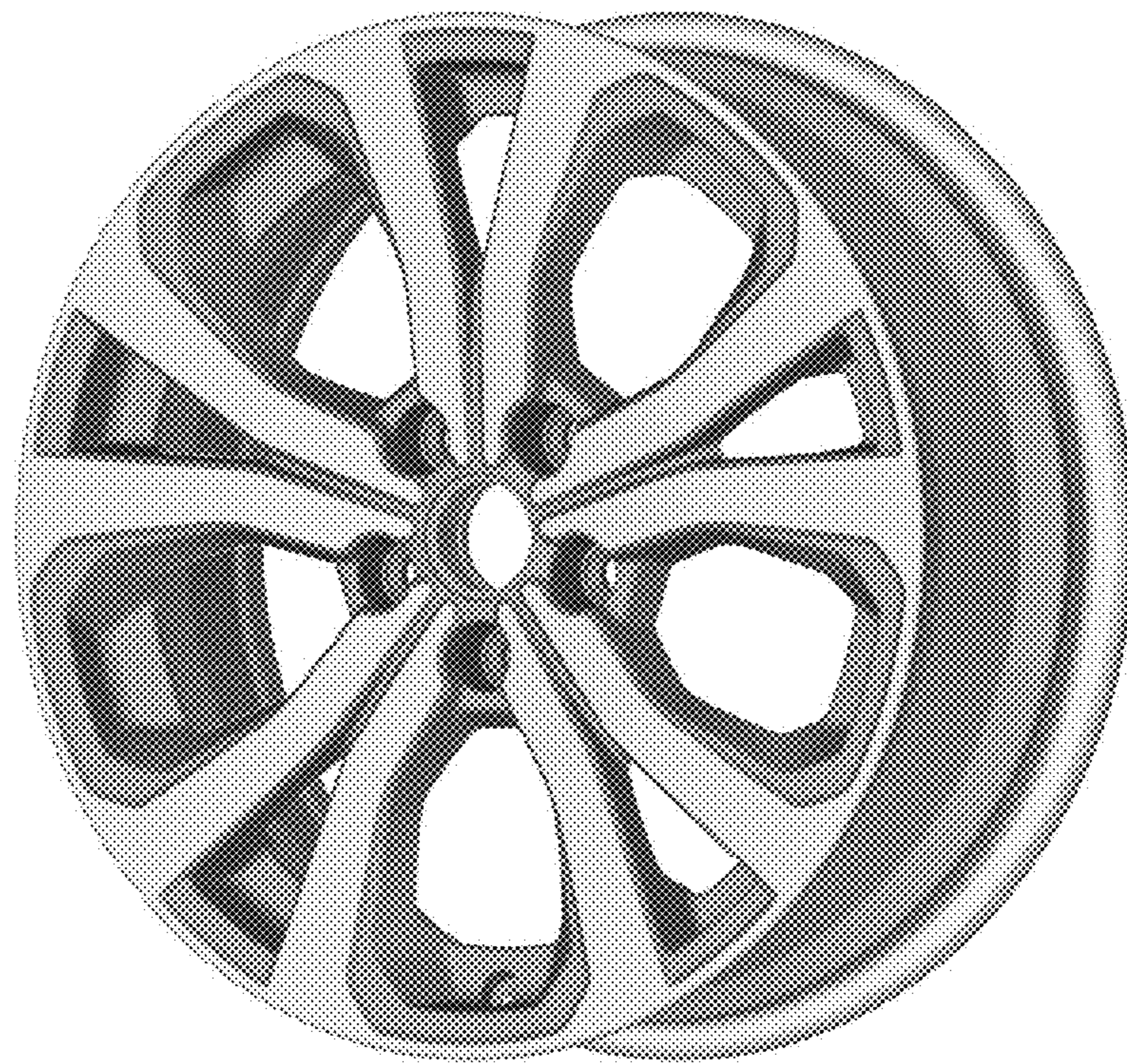


FIG. 1



FIG. 2

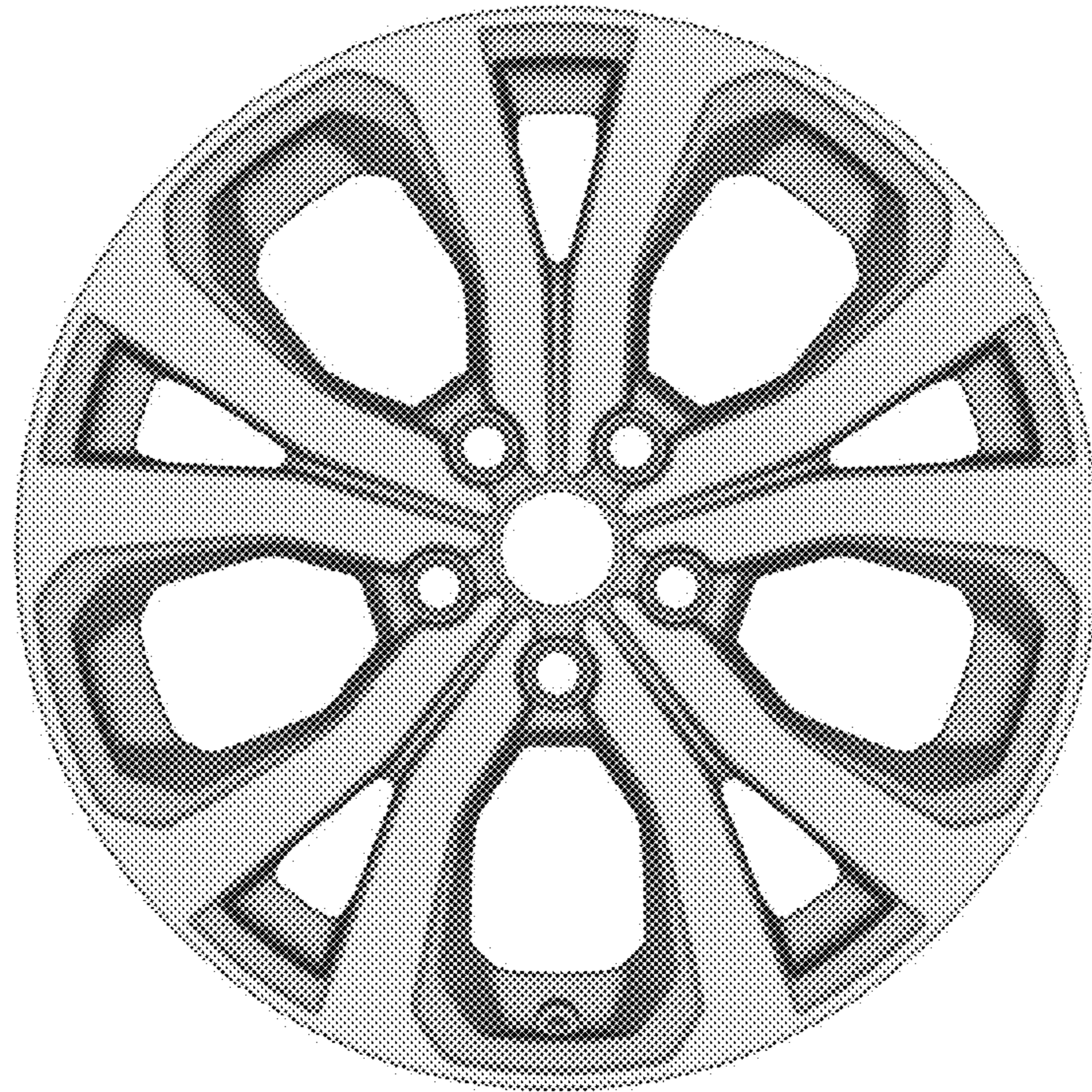


FIG. 3



FIG. 4

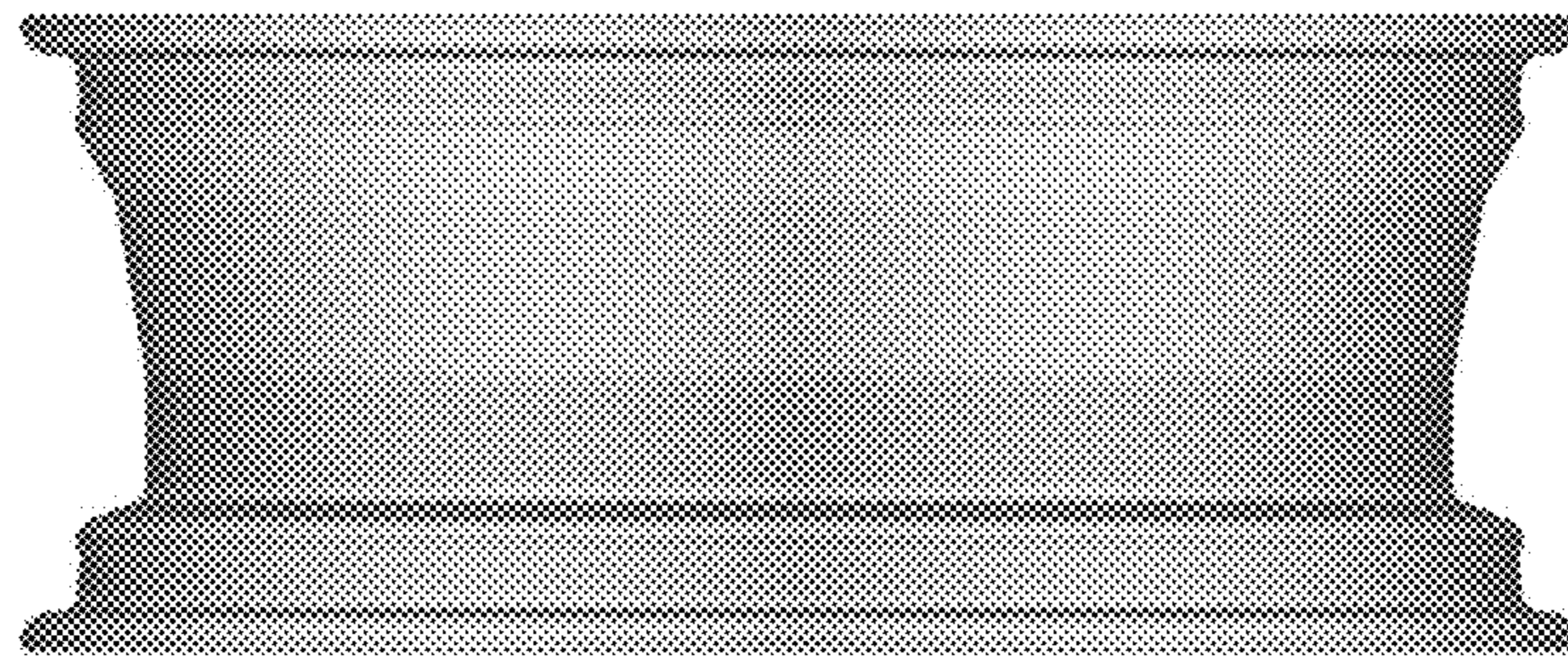


FIG. 5

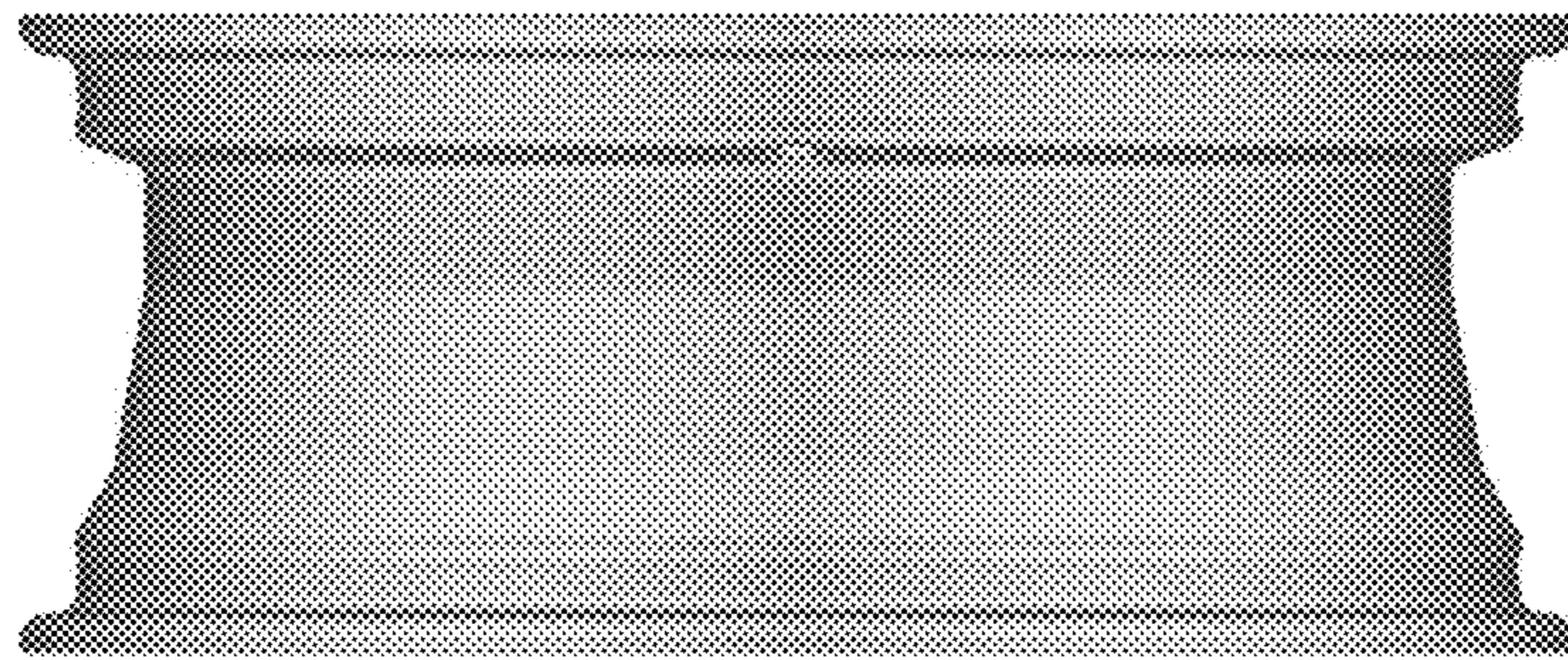


FIG. 6

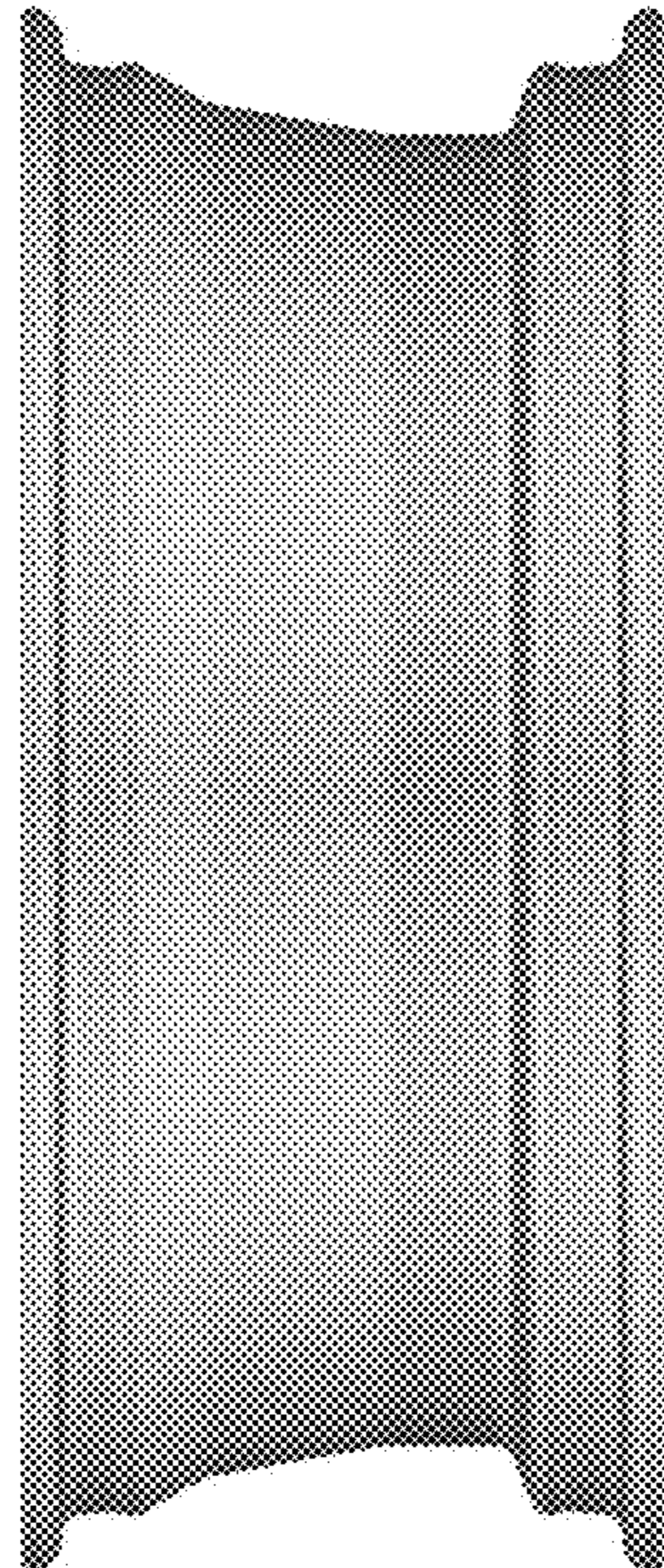


FIG. 7

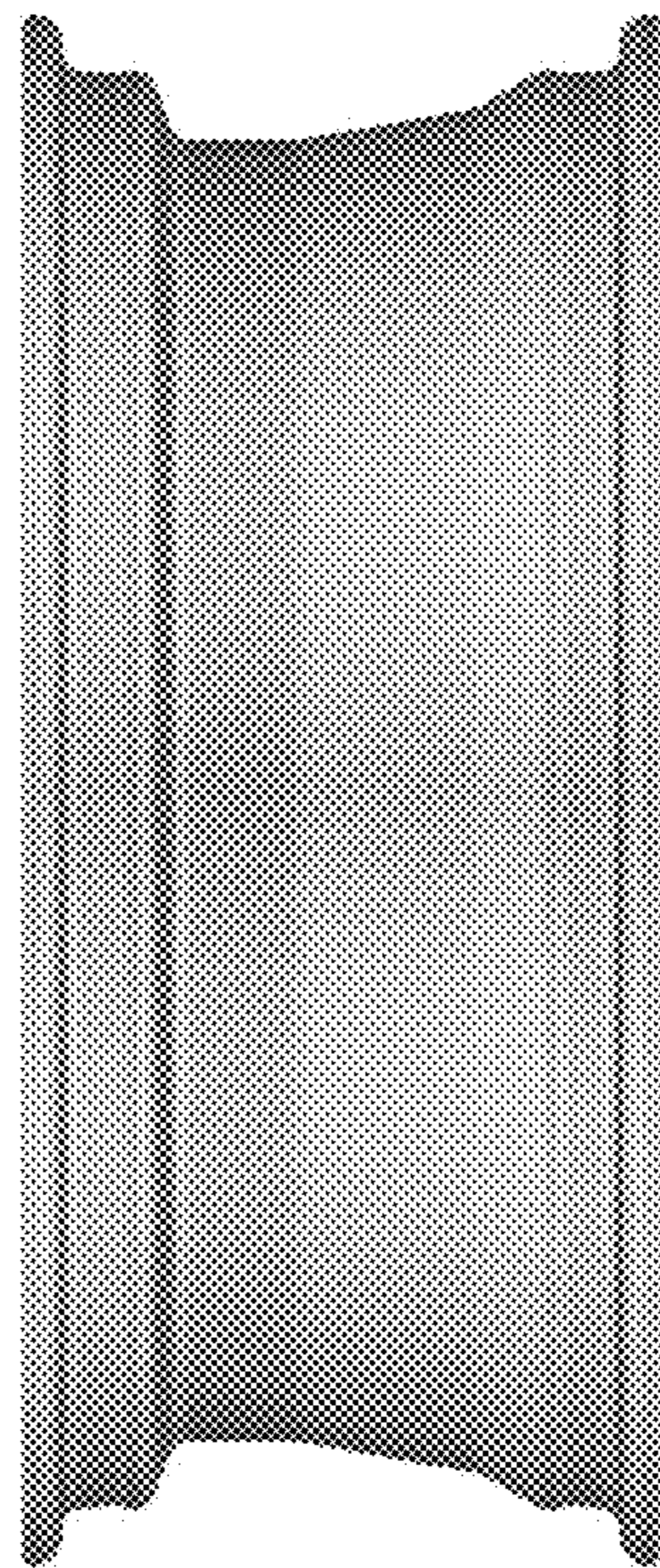


FIG. 8