



US00D861564S

(12) **United States Design Patent**
Dewitt et al.

(10) **Patent No.:** **US D861,564 S**
(45) **Date of Patent:** **** Oct. 1, 2019**

- (54) **VEHICLE WHEEL**
- (71) Applicant: **Ford Global Technologies, LLC**,
Dearborn, MI (US)
- (72) Inventors: **David Dewitt**, Docklands (AU); **Todd Willing**, East Melbourne (AU); **Max Wolff**, Birmingham, MI (US); **Mark Wright**, Nunawading (AU)
- (73) Assignee: **Ford Global Technologies, LLC**,
Dearborn, MI (US)
- (**) Term: **15 Years**
- (21) Appl. No.: **29/635,024**
- (22) Filed: **Jan. 26, 2018**
- (51) **LOC (12) Cl.** **12-16**
- (52) **U.S. Cl.**
USPC **D12/209**
- (58) **Field of Classification Search**
USPC D12/204-213
CPC B60B 7/00; B60B 7/02; B60B 7/04; B60B 7/01; B60B 3/02; B60B 3/04; B60B 3/06; B60B 3/10; B60B 1/00; B60B 1/08; B60B 1/10; B60B 1/12
See application file for complete search history.

(56) **References Cited**

U.S. PATENT DOCUMENTS

D577,323 S *	9/2008	Chung	D12/211
D620,421 S *	7/2010	Lamm	D12/209
D667,355 S *	9/2012	Gotschke	D12/209
D706,695 S *	6/2014	Platto	D12/209

D706,700 S *	6/2014	Platto	D12/211
D708,111 S *	7/2014	Platto	D12/211
D715,208 S *	10/2014	Grake	D12/204
D715,719 S *	10/2014	Platto	D12/209
D723,994 S *	3/2015	Chung	D12/211
D736,132 S *	8/2015	Platto	D12/209
D763,771 S *	8/2016	Johnson	D12/211
D775,047 S *	12/2016	Wheel	D12/211
D782,950 S *	4/2017	Hatton	D12/209
D798,216 S *	9/2017	Snyder	D12/211
D798,789 S *	10/2017	Kong	D12/211
D802,509 S *	11/2017	Tran	D12/209
D803,136 S *	11/2017	Platto	D12/211
D805,994 S *	12/2017	Platto	D12/211
D827,541 S *	9/2018	Bucher	D12/209
D827,544 S *	9/2018	Platto	D12/209
D841,555 S *	2/2019	Ma	D12/209

* cited by examiner

Primary Examiner — Stacia A Cadmus

(74) *Attorney, Agent, or Firm* — Vichit Chea

(57) **CLAIM**

The ornamental design for a vehicle wheel, as shown and described.

DESCRIPTION

FIG. 1 is a front view of a vehicle wheel showing our new design;

FIG. 2 is a cross sectional view thereof, taken along line 2-2 in FIG. 1; and,

FIG. 3 is a perspective view thereof.

Any broken lines represent boundaries of the design; the line itself and the area within, or outside the boundary form no part of the claim.

1 Claim, 3 Drawing Sheets

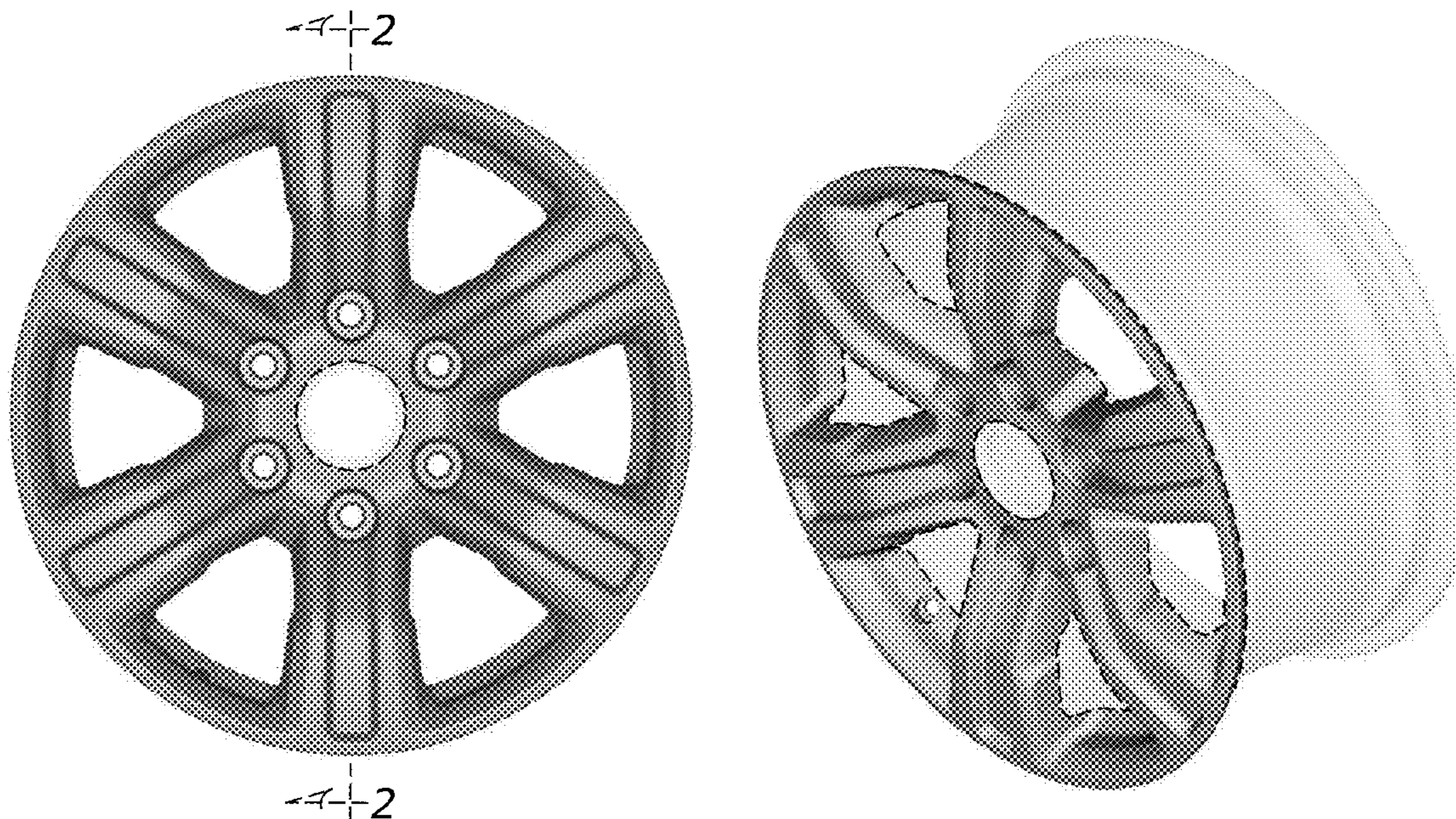




Fig. 1

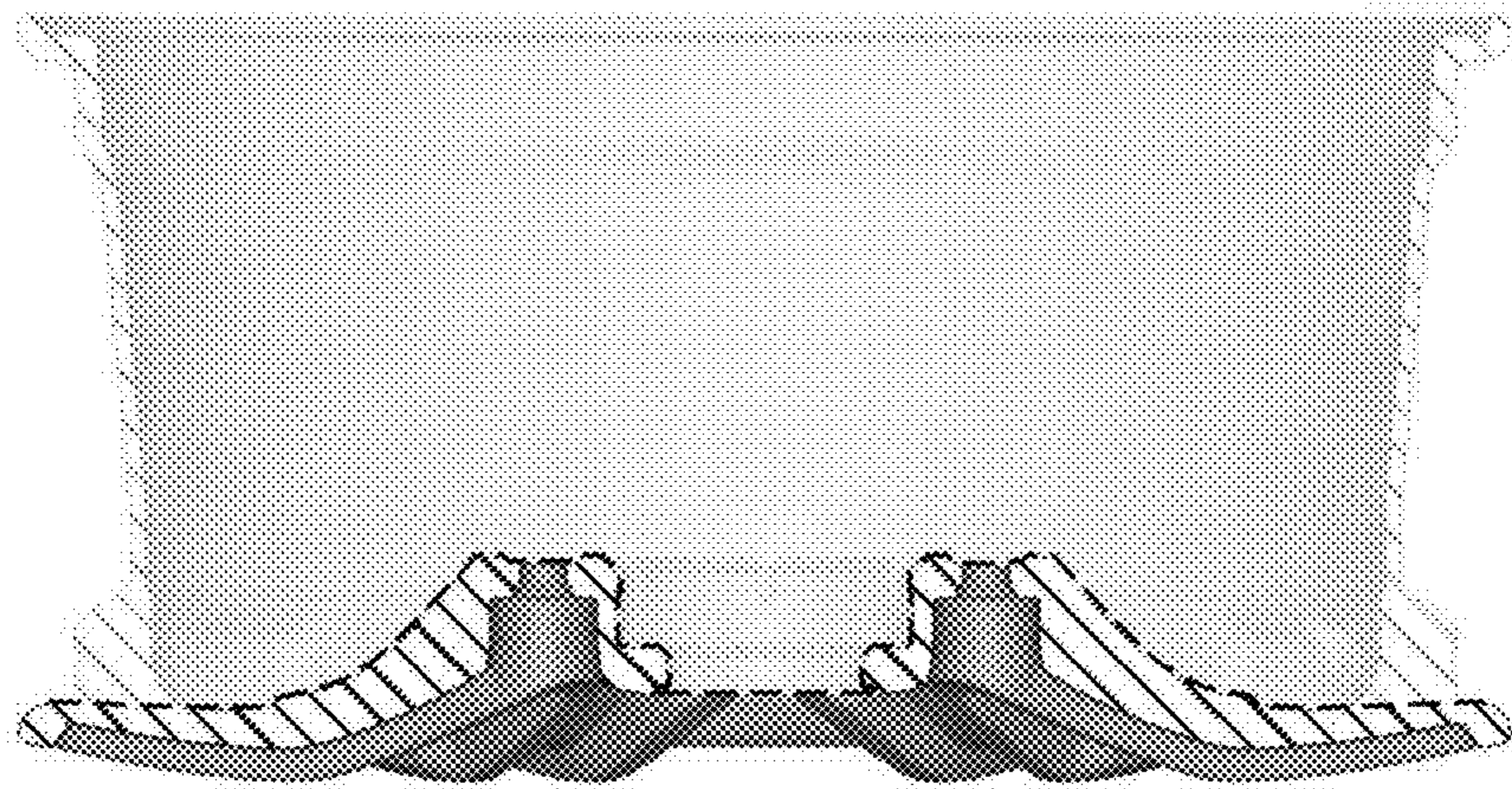


Fig. 2

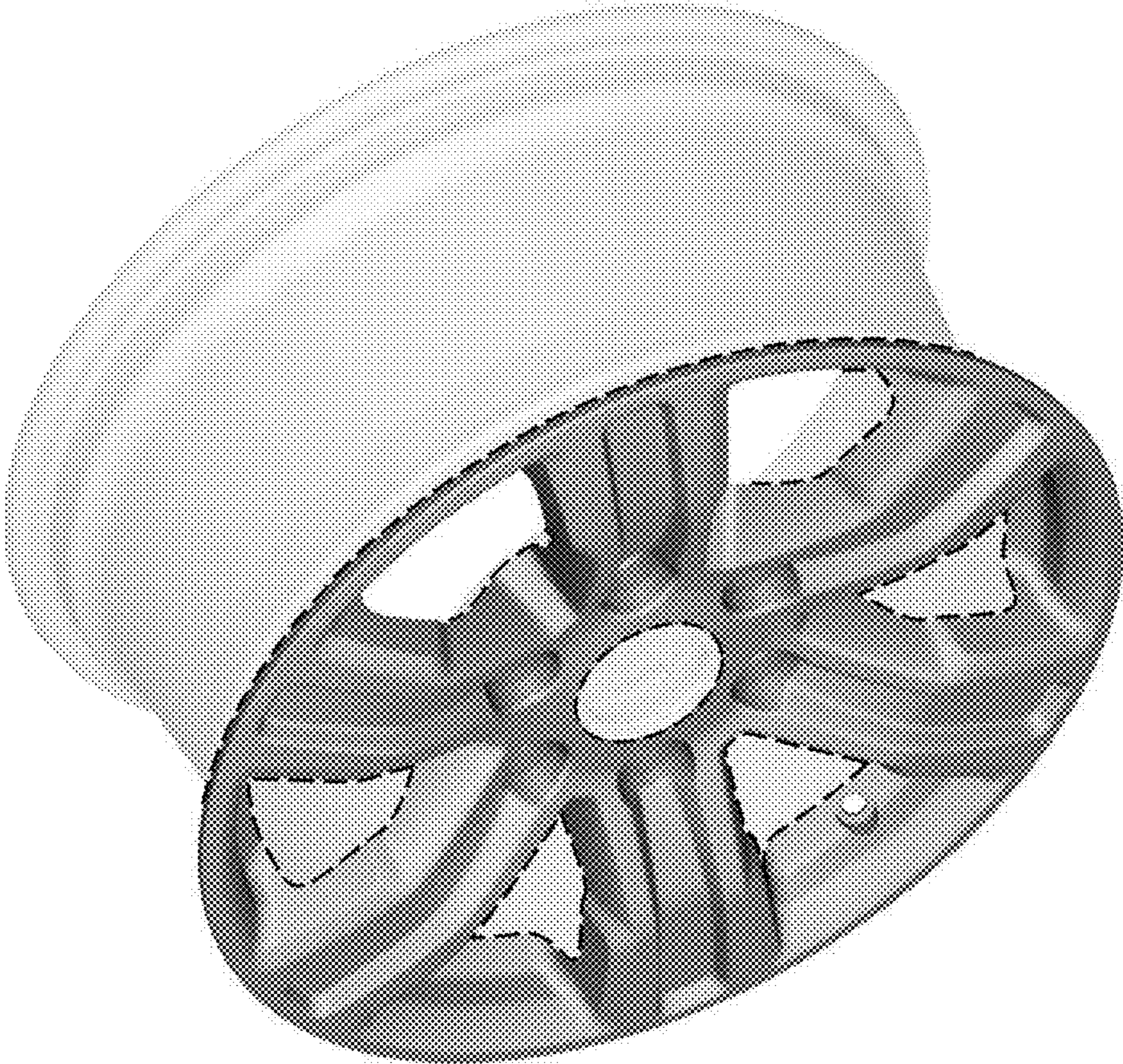


Fig. 3