



US00D861563S

(12) **United States Design Patent** (10) **Patent No.:** **US D861,563 S**
Li (45) **Date of Patent:** **** Oct. 1, 2019**

(54) **VEHICLE FLOOR MAT**
(71) Applicant: **M2 Distribution Ltd.**, Port Coquitlam (CA)
(72) Inventor: **Ming Li**, Coquitlam (CA)
(73) Assignee: **M2 Distribution Ltd.**, Port Coquitlam (CA)

(**) Term: **15 Years**
(21) Appl. No.: **29/638,236**

(22) Filed: **Feb. 26, 2018**
(51) **LOC (12) Cl.** **12-16**
(52) **U.S. Cl.**
USPC **D12/203**
(58) **Field of Classification Search**
USPC D12/203, 221; D6/582-586, 592-594
CPC B60R 13/01; B60N 3/044; B60N 3/04
See application file for complete search history.

(56) **References Cited**

U.S. PATENT DOCUMENTS

D372,011 S *	7/1996	Tyler	D12/203
D441,336 S *	5/2001	Hussaini	D12/203
D442,530 S *	5/2001	Lu	D12/203
D469,047 S *	1/2003	Kuo	D12/203
D469,726 S *	2/2003	Kraines	D12/203
6,677,027 B1 *	1/2004	Lu	B60N 3/044
				15/215
D514,493 S *	2/2006	MacNeil	D12/203
D522,428 S *	6/2006	MacNeil	D12/203
D530,250 S *	10/2006	Thom	D12/203
D555,057 S *	11/2007	Eskandry	D12/191
D648,252 S *	11/2011	Yang	D12/203
D656,874 S *	4/2012	MacNeil	D12/203
D656,875 S *	4/2012	MacNeil	D12/203

D663,667 S *	7/2012	Yang	D12/203
D682,735 S *	5/2013	Garzone	D11/178
D782,382 S *	3/2017	Jaimes	D12/203
D801,248 S *	10/2017	Zheng	D12/203
D804,386 S *	12/2017	Tan	D12/203
2010/0055411 A1 *	3/2010	Stanesic	B60N 3/044
				428/192
2013/0171419 A1 *	7/2013	Tyler	B60N 3/044
				428/167

* cited by examiner

Primary Examiner — Michelle E. Wilson
Assistant Examiner — Clese Moore, Jr.
(74) *Attorney, Agent, or Firm* — Eric J. Sosenko;
Jonathan P. O'Brien; Honigman LLP

(57) **CLAIM**

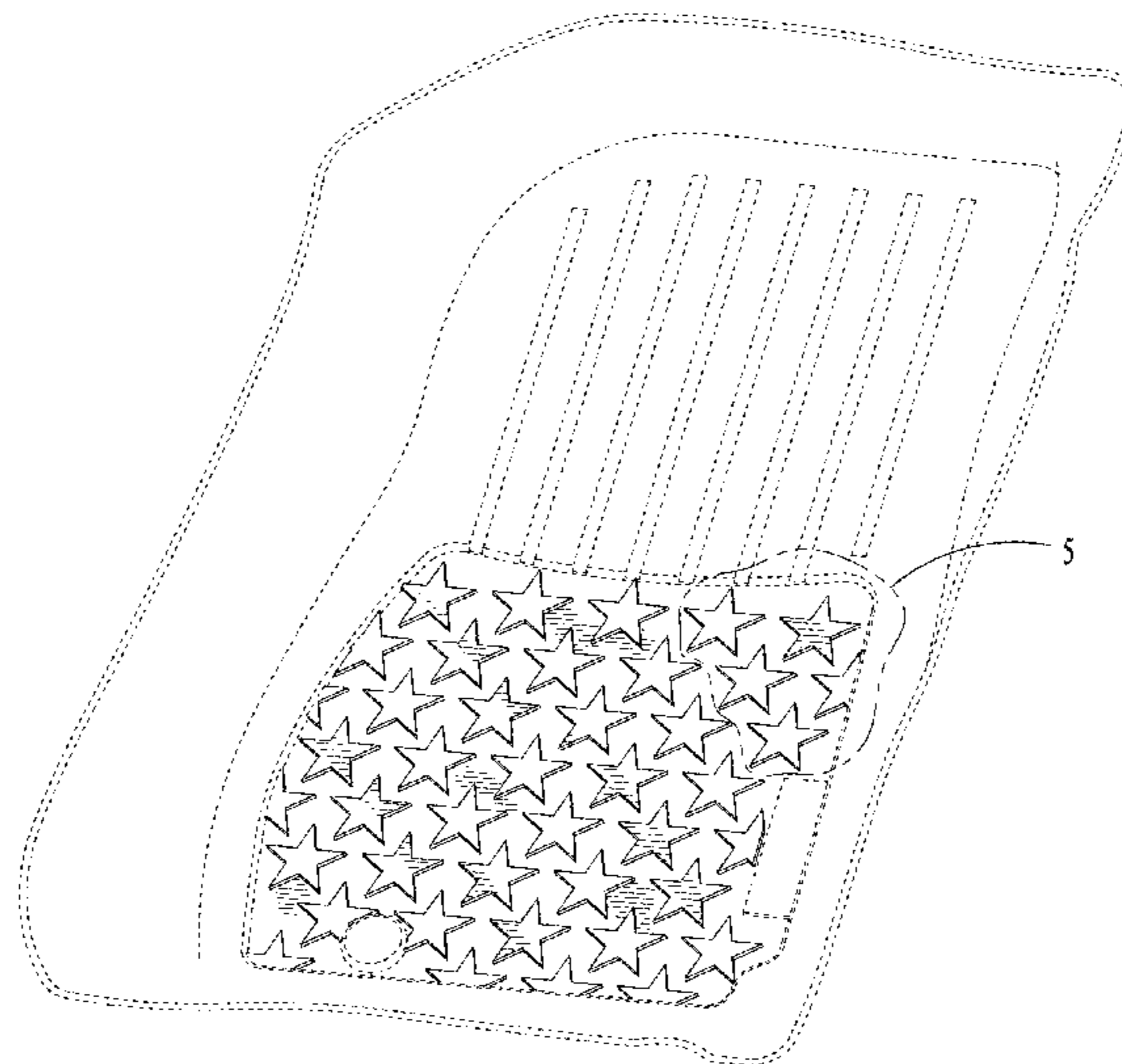
The ornamental design for a vehicle floor mat, as shown.

DESCRIPTION

FIG. 1 is a perspective view of a vehicle floor mat embodying the principles of the present invention;
FIG. 2 is top plan view of the vehicle floor mat seen in FIG. 1;
FIG. 3 is an enlarged sectional view of the vehicle floor mat generally taken along line 3-3 of FIG. 1;
FIG. 4 is an enlarged sectional view of the vehicle floor mat, generally taken along line 4-4 of FIG. 1; and,
FIG. 5 is an enlarged detail view of the vehicle floor mat taken substantially inside the encircled area identified as 5 in FIG. 1.

In the drawings, the broken lines depict environmental subject matter only and form no part of the claimed design. The external sides and bottom of the vehicle floor mat into which the claimed design is incorporated are unadorned and form no part of the claimed design. Shade lines having a combination of long and short lines in the drawings show contour and not surface ornamentation.

1 Claim, 3 Drawing Sheets



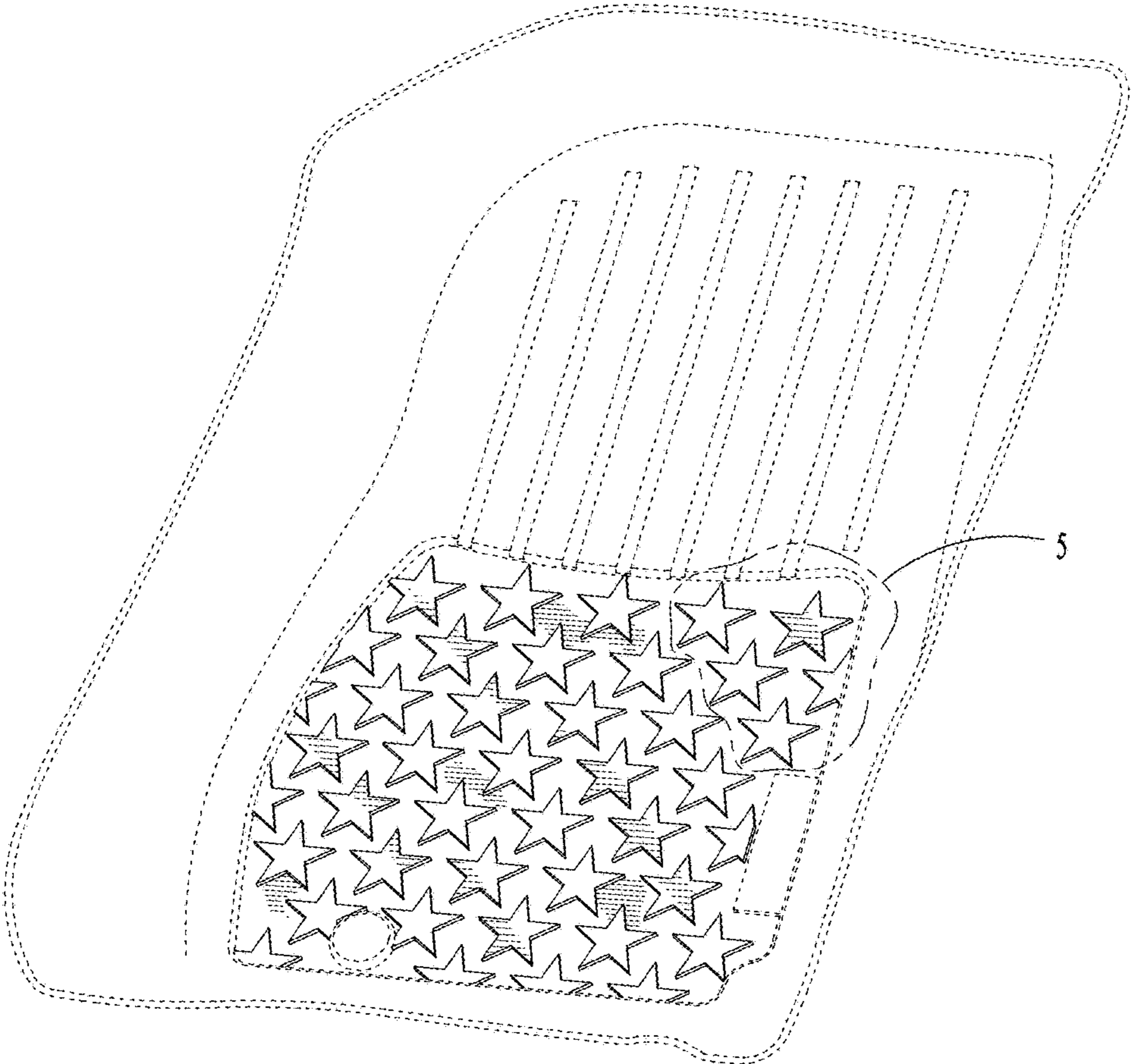


FIG. 1

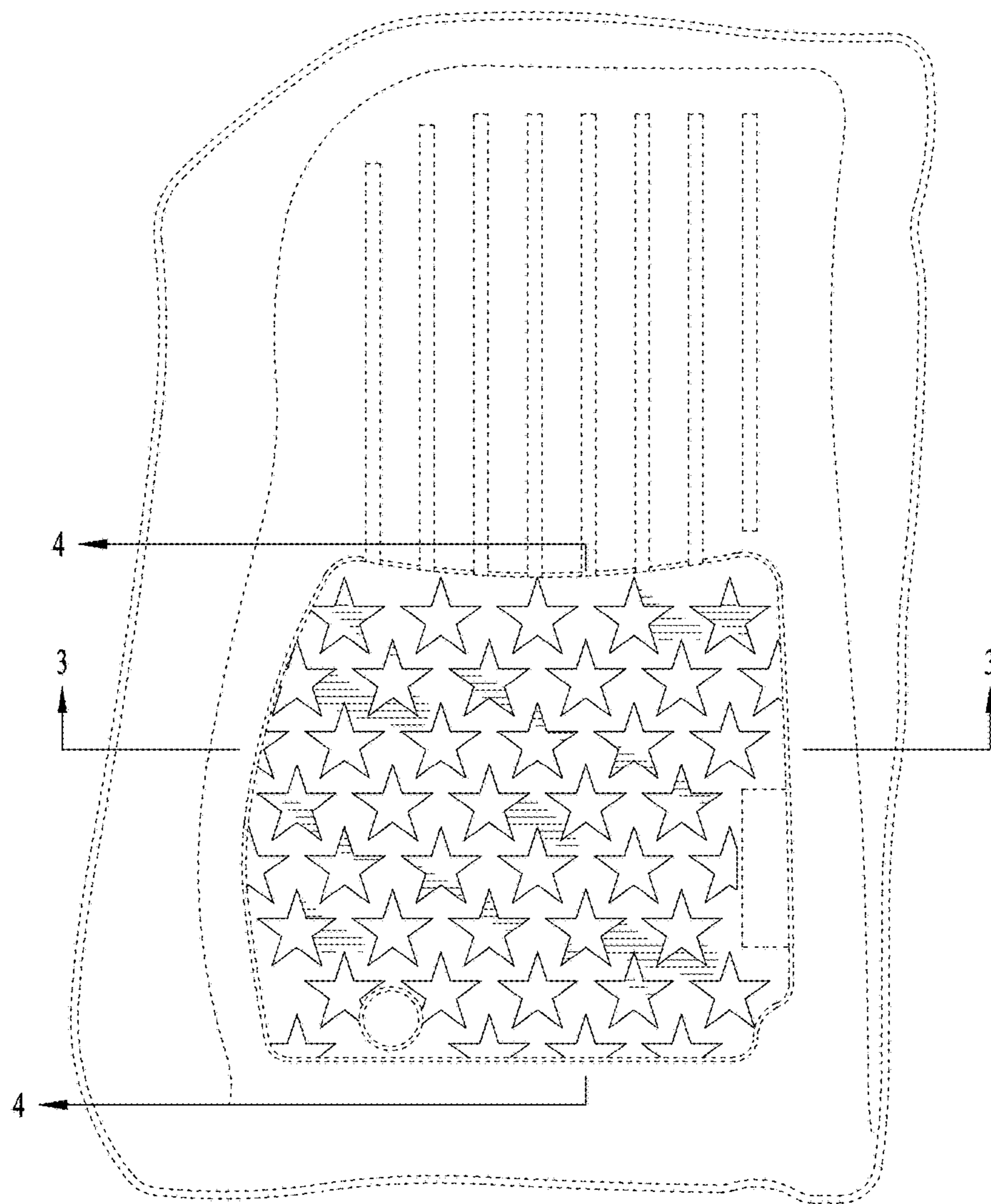


FIG. 2

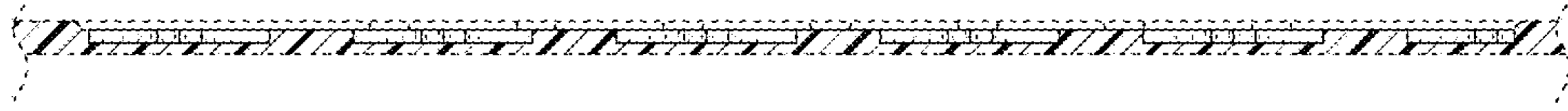


FIG. 3



FIG. 4

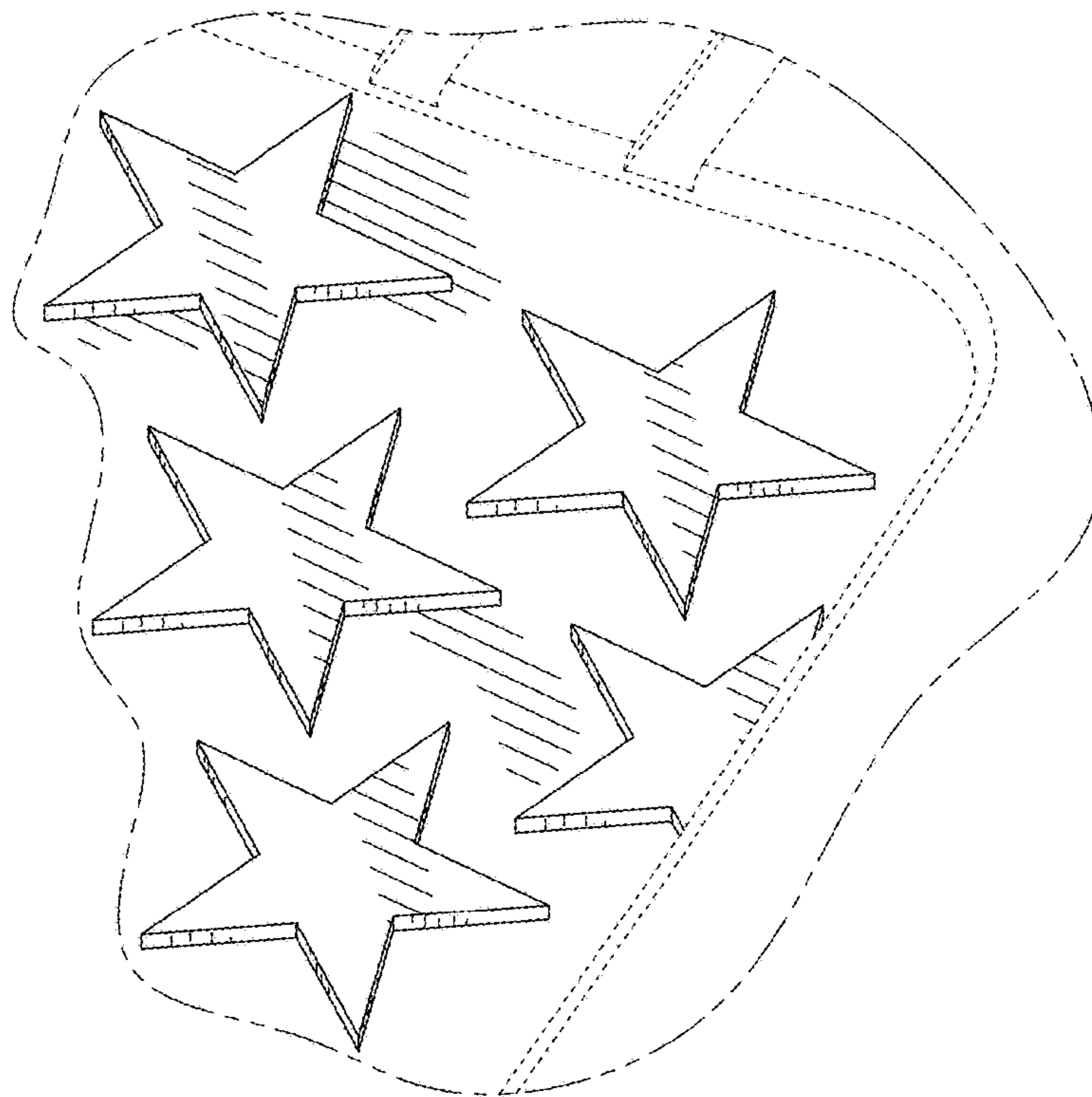


FIG. 5