



US00D861561S

(12) **United States Design Patent**
Mallicote et al.

(10) **Patent No.:** **US D861,561 S**
(45) **Date of Patent:** **** Oct. 1, 2019**

(54) **FENDER FLARE**

(71) Applicant: **Bodyguard Products LLC**, Paris, TX (US)

(72) Inventors: **Charles Grant Mallicote**, Sumner, TX (US); **Kelli Renee Mallicote**, Sumner, TX (US); **Caleb Michael Hix**, Paris, TX (US)

(73) Assignee: **Bodyguard Products LLC**, Paris, TX (US)

(**) Term: **15 Years**

(21) Appl. No.: **29/665,493**

(22) Filed: **Oct. 3, 2018**

(51) **LOC (12) Cl.** **12-16**

(52) **U.S. Cl.**
USPC **D12/184**

(58) **Field of Classification Search**
USPC D12/114, 181, 184, 196; D15/28
CPC B62D 25/16; B62D 25/18
See application file for complete search history.

(56) **References Cited**

U.S. PATENT DOCUMENTS

D582,825 S	12/2008	Logan	
D652,358 S	1/2012	Hodges	
D712,324 S	9/2014	McFarlin et al.	
9,278,716 B1 *	3/2016	Joseph	B62D 25/18
D756,870 S *	5/2016	Tsutamori	D12/184
D758,935 S *	6/2016	Platto	D12/184
9,403,557 B1 *	8/2016	Sharma	C21D 1/06
D765,569 S	9/2016	Hall et al.	
9,487,238 B2 *	11/2016	Iwano	B62D 25/025
D775,031 S *	12/2016	Frascella	D12/184
D778,795 S	2/2017	Johns et al.	
D781,193 S	3/2017	McMath	
D785,522 S	5/2017	McMath	

D787,395 S *	5/2017	Curic	D12/181
D790,418 S	6/2017	McMath	
9,669,876 B2 *	6/2017	Iwano	B62D 25/04
9,738,322 B2 *	8/2017	Matthiessen	B62D 25/02
D803,119 S *	11/2017	Beermann	D12/184
D803,741 S *	11/2017	Tsubaki	D12/184
D805,013 S *	12/2017	Whitla	D12/181
D806,622 S *	1/2018	Granlund	D12/184
D807,261 S *	1/2018	Zavatski	D12/184
9,890,966 B2 *	2/2018	Mueller	B62D 25/16
D817,829 S *	5/2018	Behmer	D12/184
D820,751 S *	6/2018	Luk	D12/184
D823,741 S *	7/2018	Kim	D12/169
10,023,241 B2 *	7/2018	Umemoto	B62D 25/161
10,035,543 B2 *	7/2018	Sato	B60J 5/0444
D826,811 S *	8/2018	Lim	D12/184
D827,527 S *	9/2018	Loeb	D12/184

(Continued)

Primary Examiner — Susan Bennett Hattan

Assistant Examiner — Suzanne E Tisdell

(74) *Attorney, Agent, or Firm* — Knobbe, Martens, Olson & Bear, LLP

(57) **CLAIM**

The ornamental design for a fender flare, as shown and described.

DESCRIPTION

FIG. 1 is a perspective view showing top and front surfaces of a fender flare.

FIG. 2 is a perspective view showing bottom and rear surfaces thereof.

FIG. 3 is a front view thereof.

FIG. 4 is a rear view thereof.

FIG. 5 is a left side view thereof.

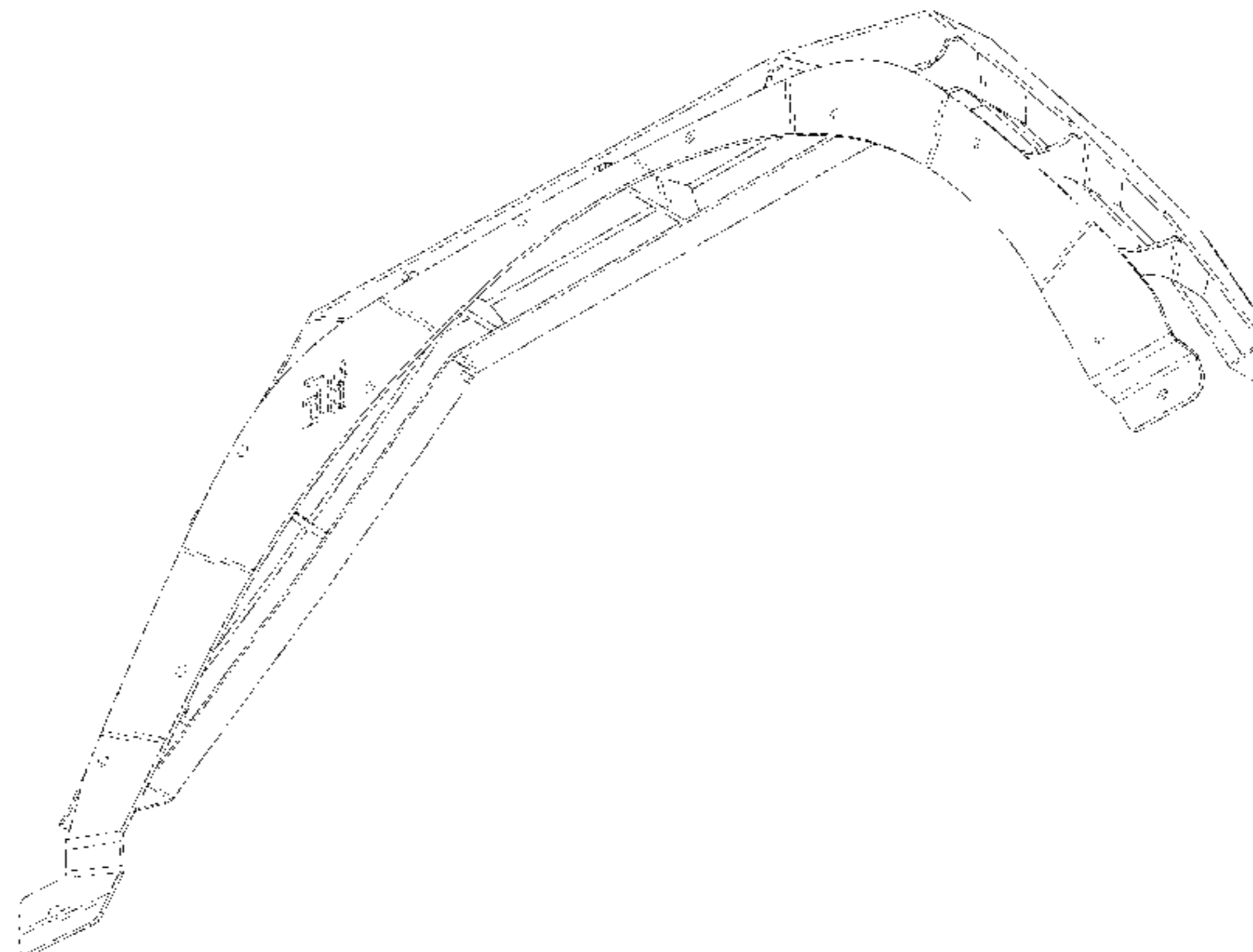
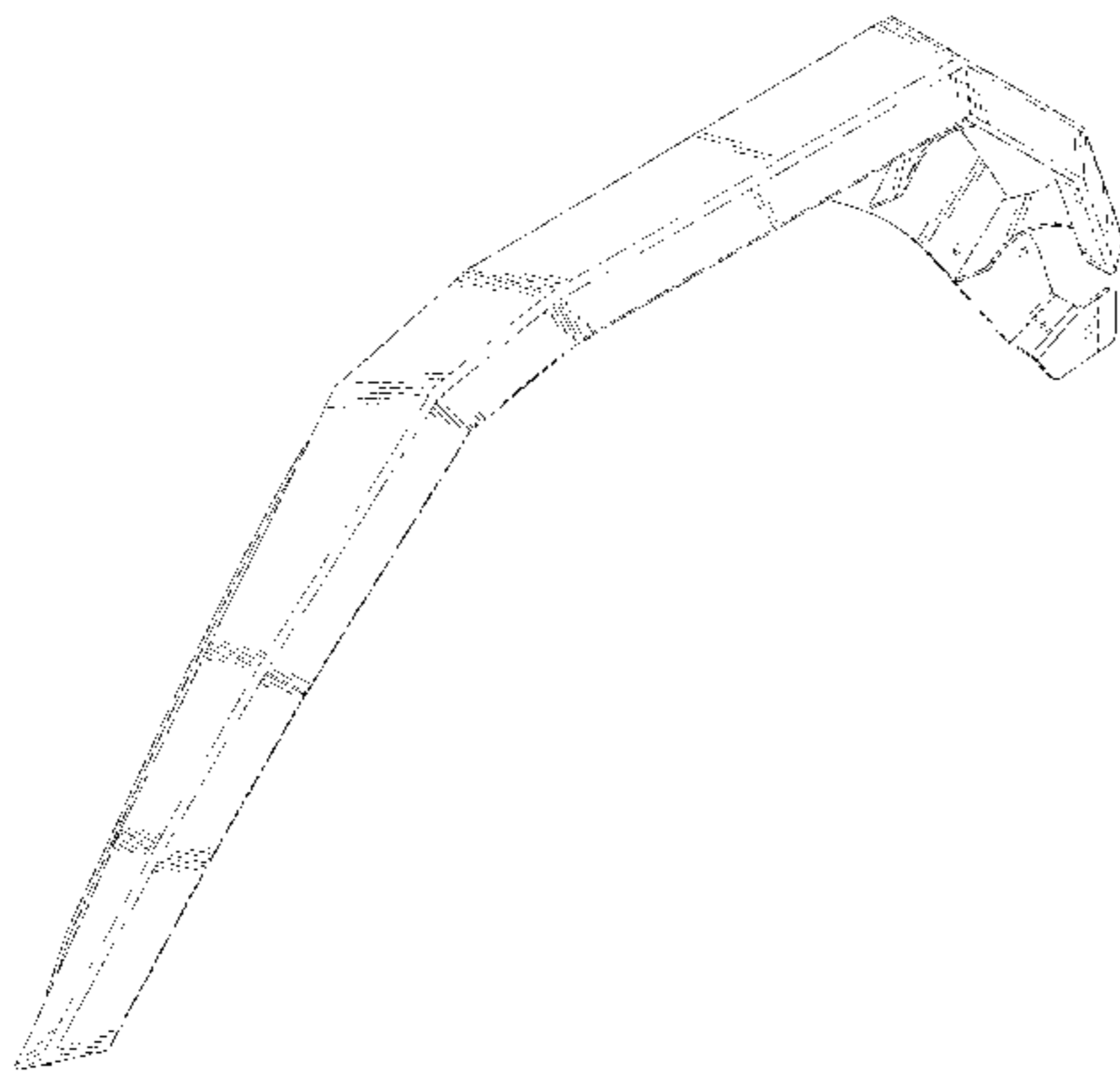
FIG. 6 is a right side view thereof.

FIG. 7 is a top view thereof; and,

FIG. 8 is a bottom view thereof.

The broken lines in the drawings illustrate portions of the fender flares which form no part of the claimed design.

1 Claim, 7 Drawing Sheets



(56)

References Cited

U.S. PATENT DOCUMENTS

D827,528 S * 9/2018 Gueler D12/184
D827,529 S * 9/2018 Al Attar D12/184
D828,254 S * 9/2018 Simm D12/184
10,077,085 B2 * 9/2018 Pfaffelhuber B62D 27/02

* cited by examiner

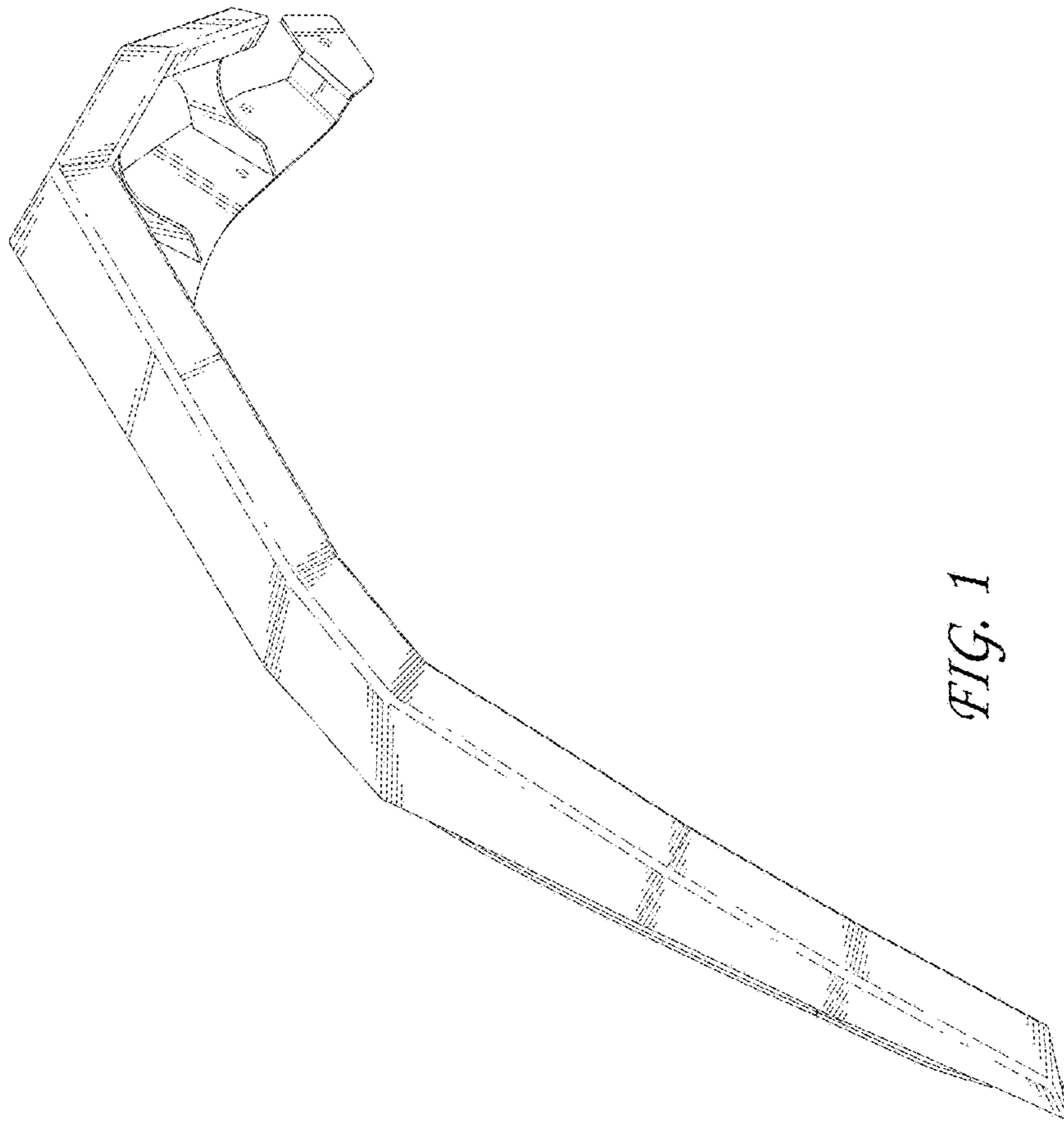


FIG. 1

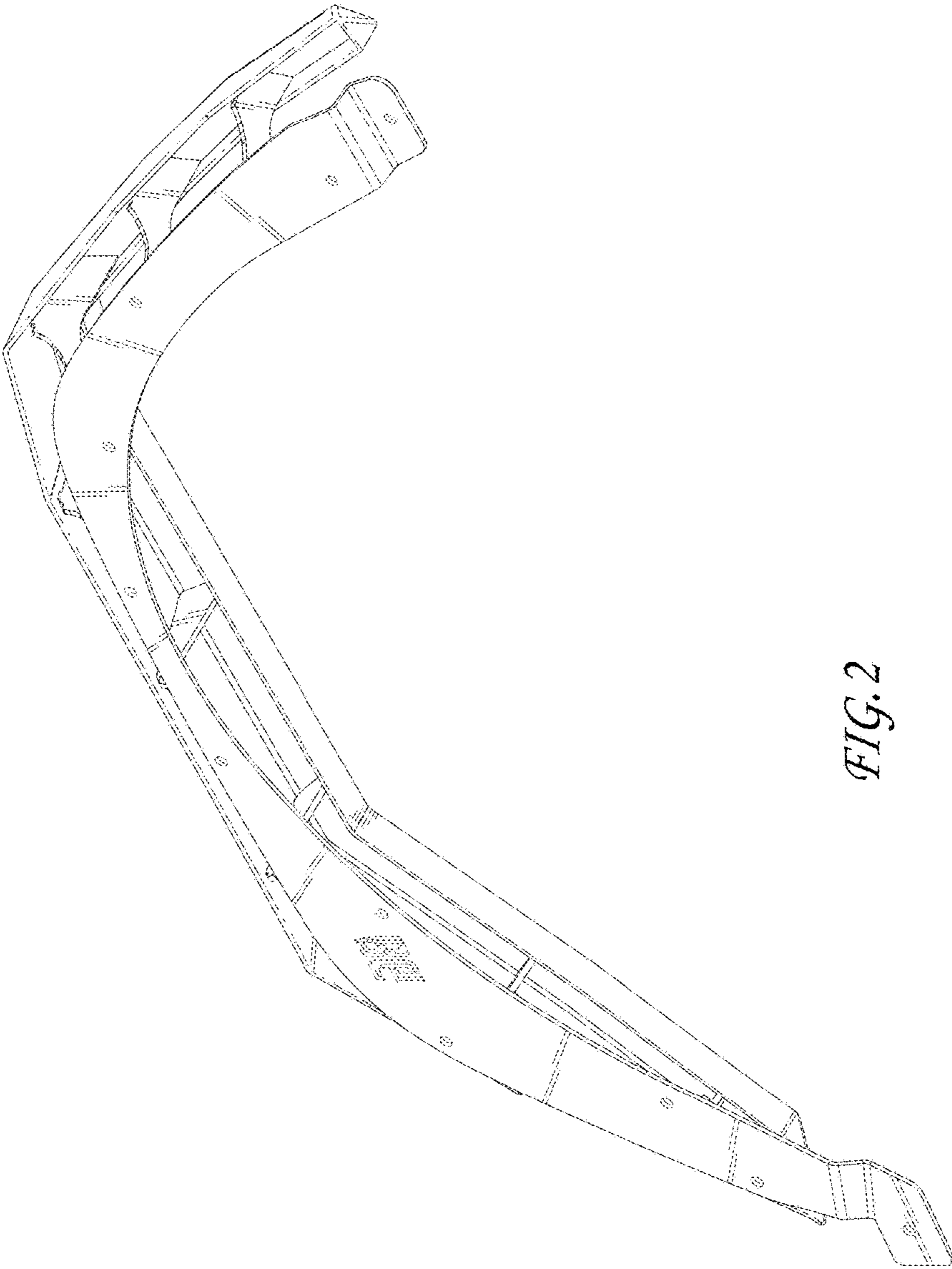


FIG. 2

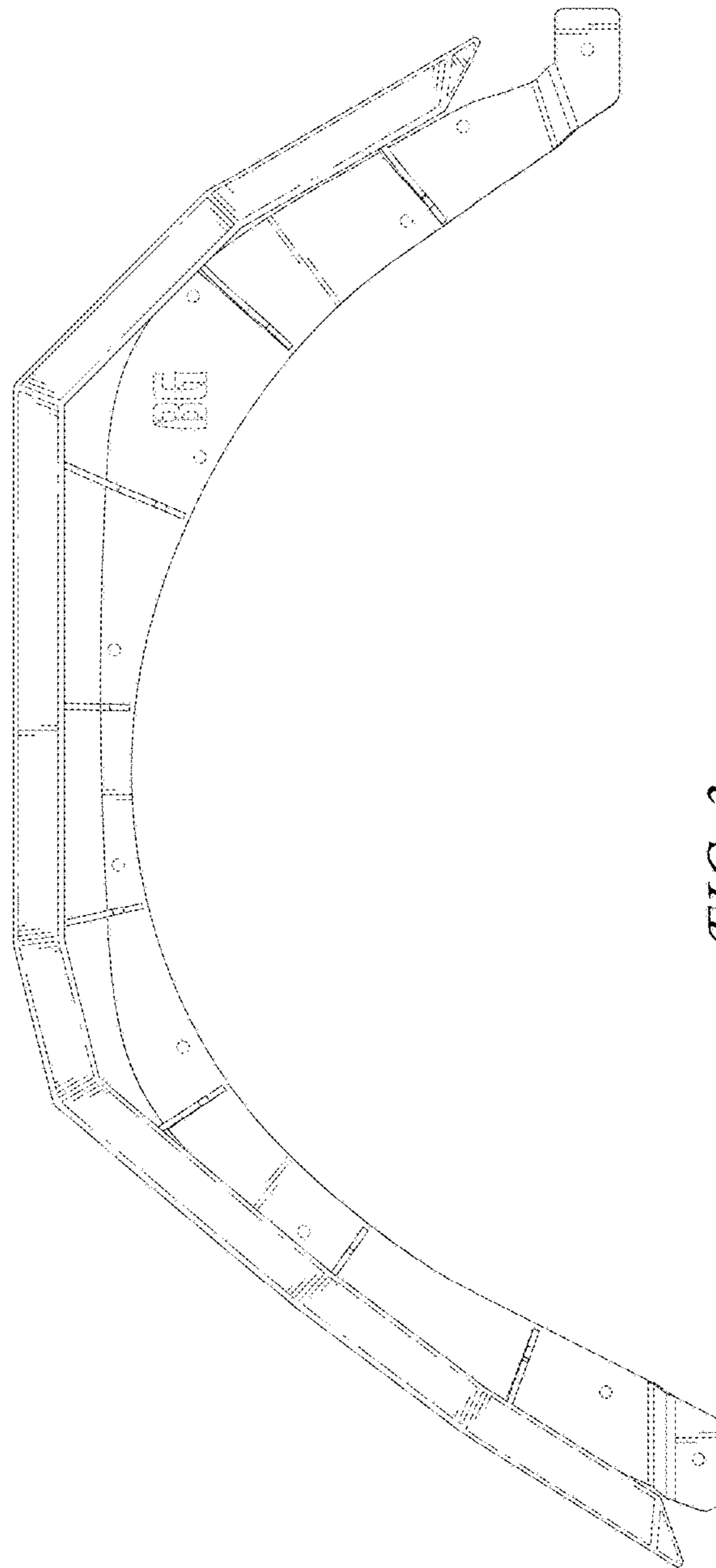


FIG. 3

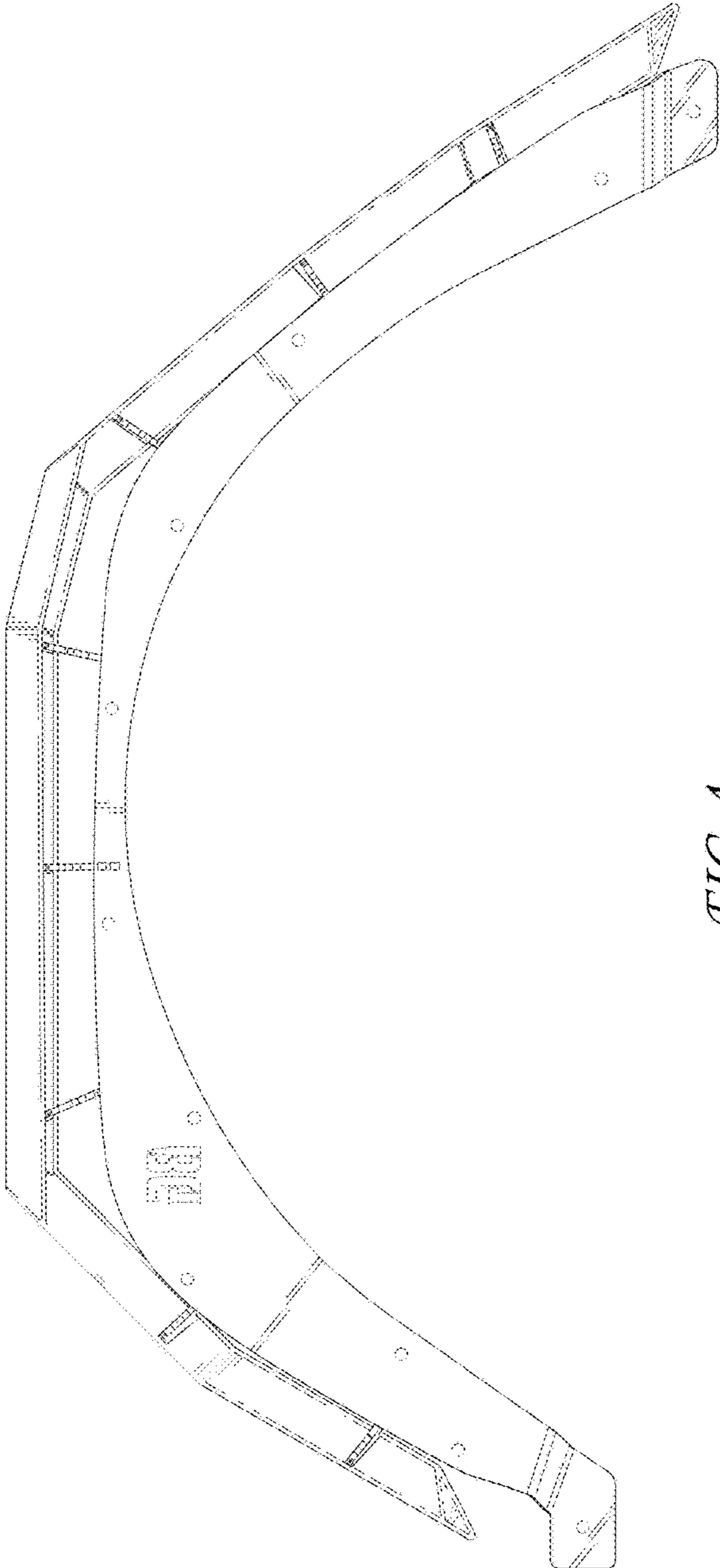


FIG. 4

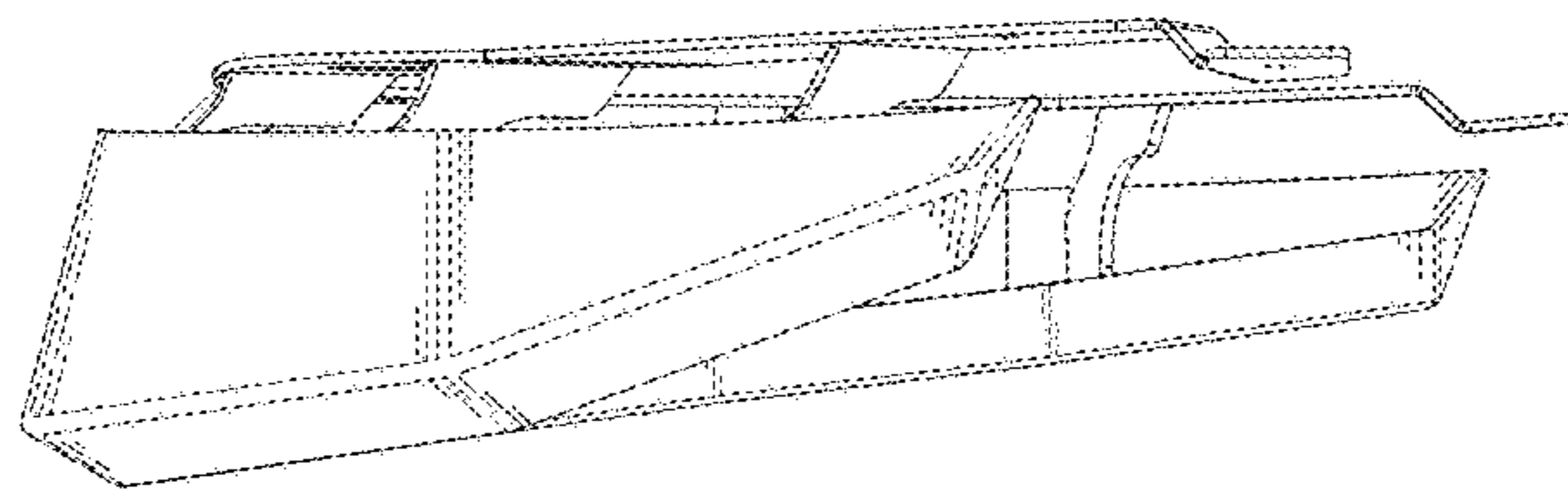


FIG. 6

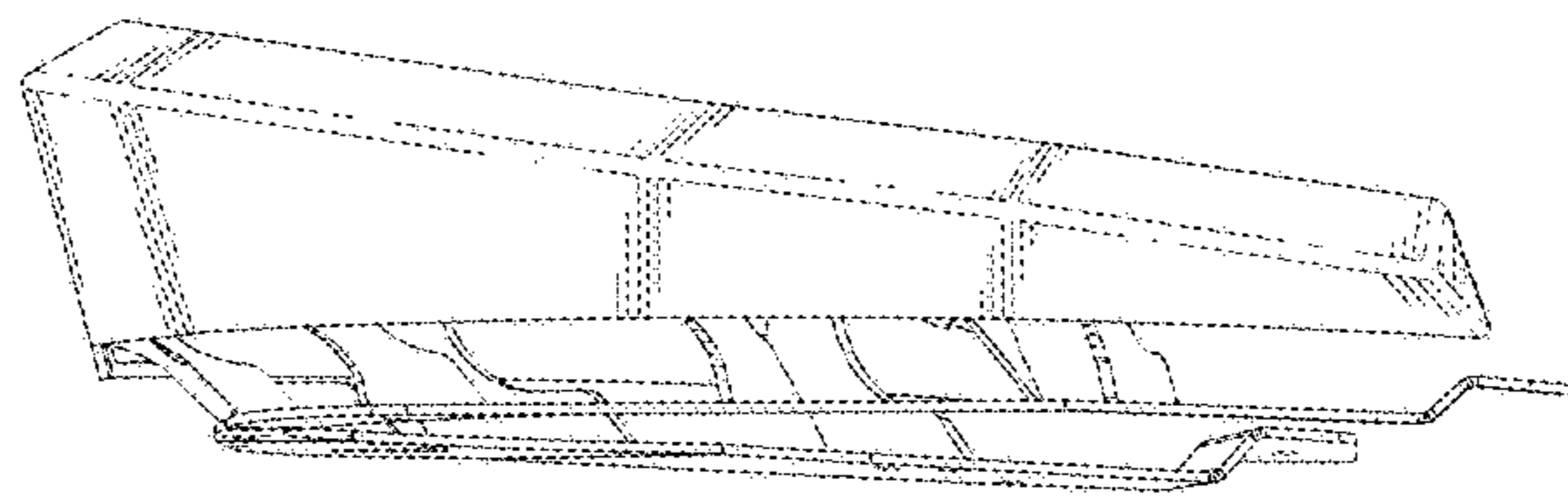


FIG. 5

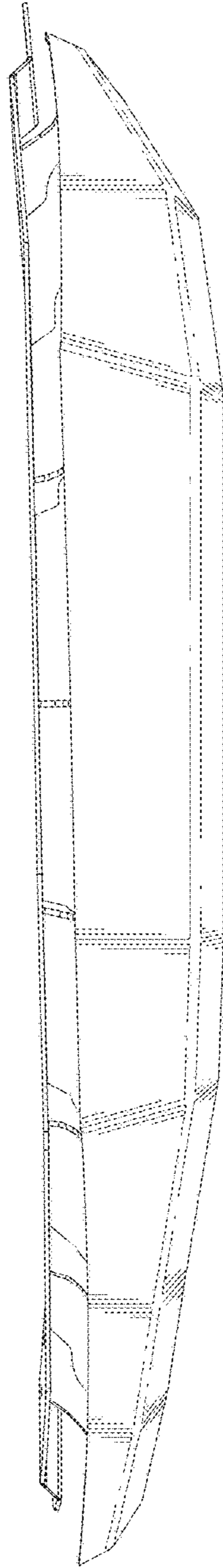


FIG. 7

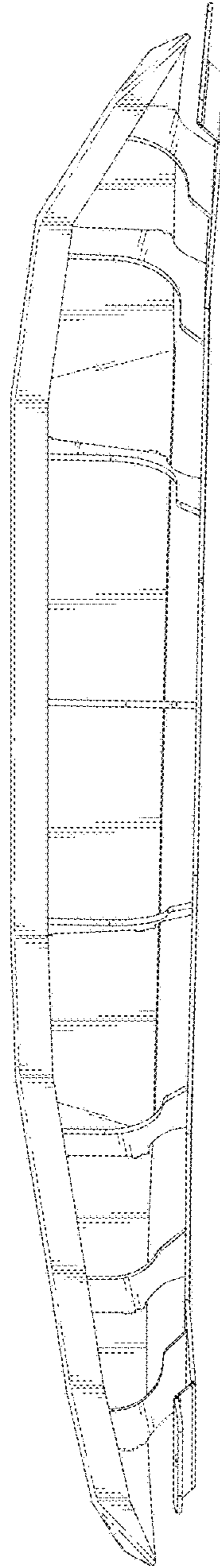


FIG. 8