



US00D861559S

(12) **United States Design Patent**
Scotti et al.

(10) **Patent No.:** **US D861,559 S**
(45) **Date of Patent:** **** Oct. 1, 2019**

- (54) **DISC BRAKE CALLIPER**
- (71) Applicant: **FRENI BREMBO S.p.A.**, Curno (Bergamo) (IT)
- (72) Inventors: **Fabio Scotti**, Curno (IT); **Andrea Teruzzi**, Curno (IT); **Cristian Crippa**, Curno (IT)
- (73) Assignee: **FRENI BREMBO S.p.A.**, Curno, Bergamo (IT)
- (**) Term: **15 Years**
- (21) Appl. No.: **29/589,414**
- (22) Filed: **Dec. 30, 2016**

- D523,794 S 6/2006 Strumbo et al.
- D555,555 S 11/2007 Ikuzawa et al.
- D556,103 S 11/2007 Morimoto
- D588,513 S 3/2009 Crippa et al.
- D600,613 S 9/2009 Jungmann et al.
- D607,793 S 1/2010 Maroni et al.
- D610,059 S 2/2010 Azimonti
- D610,507 S 2/2010 Azimonti
- D619,063 S 7/2010 Veneziano et al.
- D623,102 S 9/2010 Gherardi et al.
- D642,100 S 7/2011 Crippa et al.
- D692,356 S 10/2013 Owen et al.
- D700,551 S 3/2014 Davenport, III
- D739,319 S 9/2015 Montgomery
- D785,520 S 5/2017 Bonetti
- 9,657,789 B2 5/2017 Castellana et al.
- D790,417 S 6/2017 Bertone et al.
- D804,375 S * 12/2017 Crippa D12/180
- D813,125 S 3/2018 Crippa et al.

(Continued)

(30) **Foreign Application Priority Data**

Jun. 30, 2016 (IT) 402016000068148

(51) **LOC (12) Cl.** **12-16**

(52) **U.S. Cl.**
USPC **D12/180**

(58) **Field of Classification Search**
USPC D12/160, 180
CPC B60T 13/686; B60T 13/588; B60T 8/4077;
B60T 13/142; B60T 13/585; B60T
13/745; F16D 65/0075
See application file for complete search history.

(56) **References Cited**

U.S. PATENT DOCUMENTS

- D373,340 S 9/1996 Sands
- D442,900 S 5/2001 Separautzki
- D506,714 S 6/2005 Ono
- D508,000 S 8/2005 Schorn et al.
- D512,352 S 12/2005 Veneziano et al.
- D520,924 S 5/2006 Gotti et al.
- D522,420 S 6/2006 Crippa et al.
- D522,421 S 6/2006 Crippa et al.

Primary Examiner — Robert M. Spear

(74) *Attorney, Agent, or Firm* — Merchant & Gould P.C.

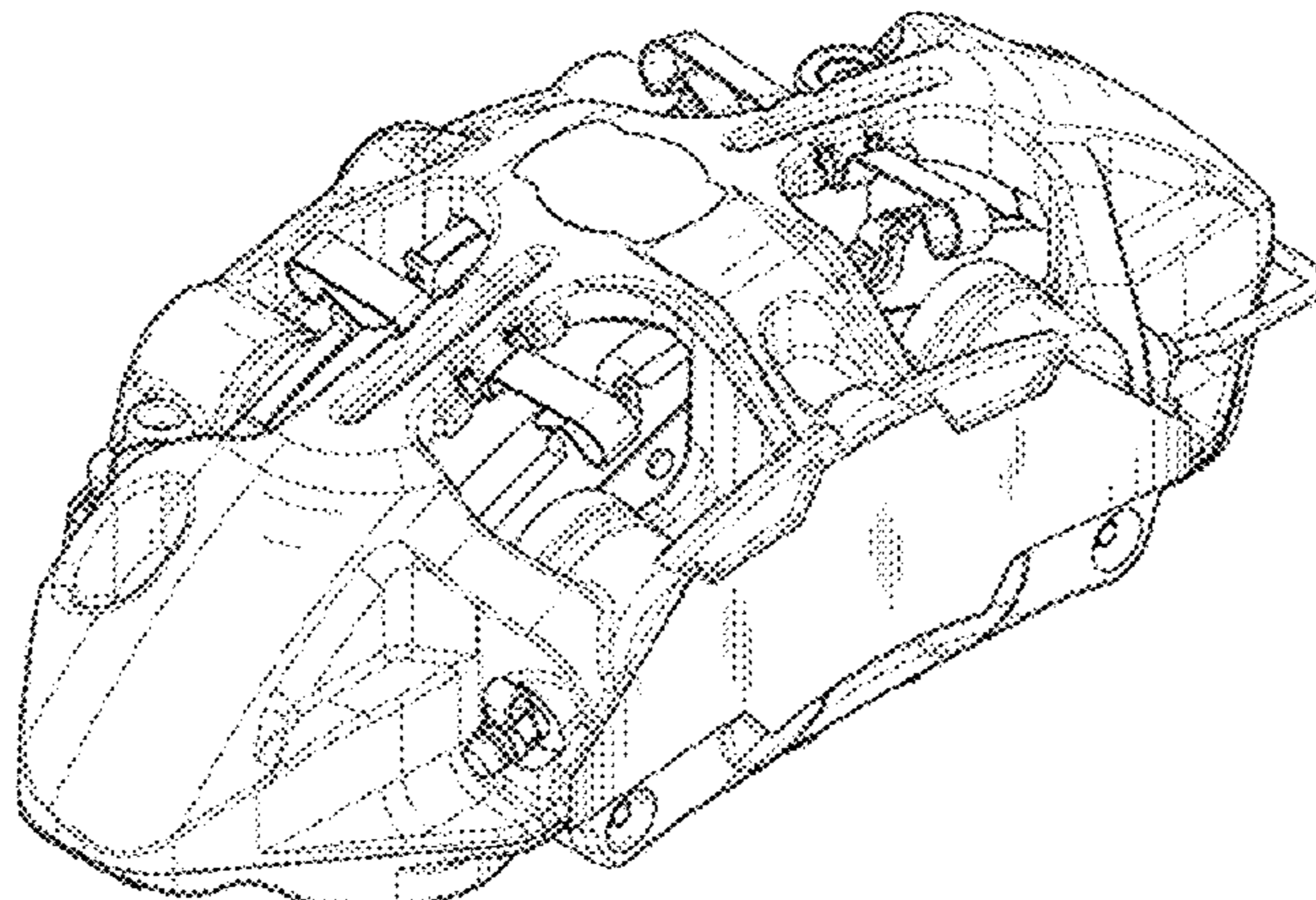
(57) **CLAIM**

The ornamental design for a disc brake calliper, as shown and described.

DESCRIPTION

FIG. 1 is a perspective view of a disc brake calliper showing our new design;
 FIG. 2 is a perspective view thereof from the end opposite that of FIG. 1;
 FIG. 3 is another perspective view thereof;
 FIG. 4 is another perspective view thereof from an end opposite that of FIG. 3;
 FIG. 5 is an end view thereof;
 FIG. 6 is an end view thereof, from an end opposite that of FIG. 5;
 FIG. 7 is a side view thereof; and,
 FIG. 8 is a top view thereof.

1 Claim, 8 Drawing Sheets



(56)

References Cited

U.S. PATENT DOCUMENTS

| | | | |
|------------------|--------|-------------------|-------------------------|
| D816,002 S | 4/2018 | Crippa et al. | |
| 9,970,495 B2 | 5/2018 | Crippa et al. | |
| 2009/0236187 A1* | 9/2009 | Bach | F16D 55/226 188/72.5 |
| 2013/0092481 A1 | 4/2013 | Crippa et al. | |
| 2015/0021124 A1 | 1/2015 | Preda et al. | |
| 2015/0027821 A1 | 1/2015 | Nessi et al. | |
| 2016/0003315 A1 | 1/2016 | Crippa et al. | |
| 2016/0053835 A1 | 2/2016 | Castellana et al. | |

* cited by examiner

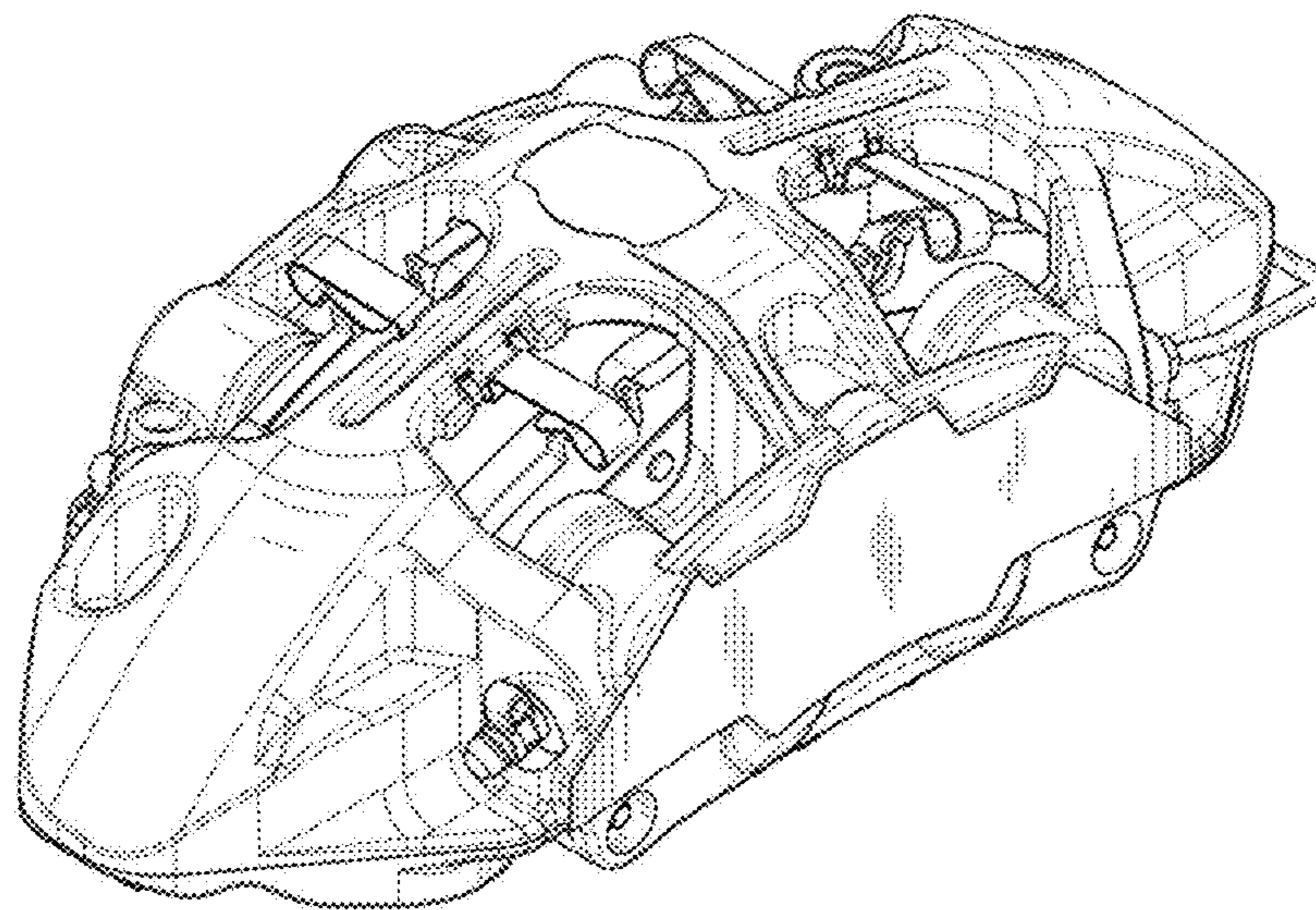


FIG.1

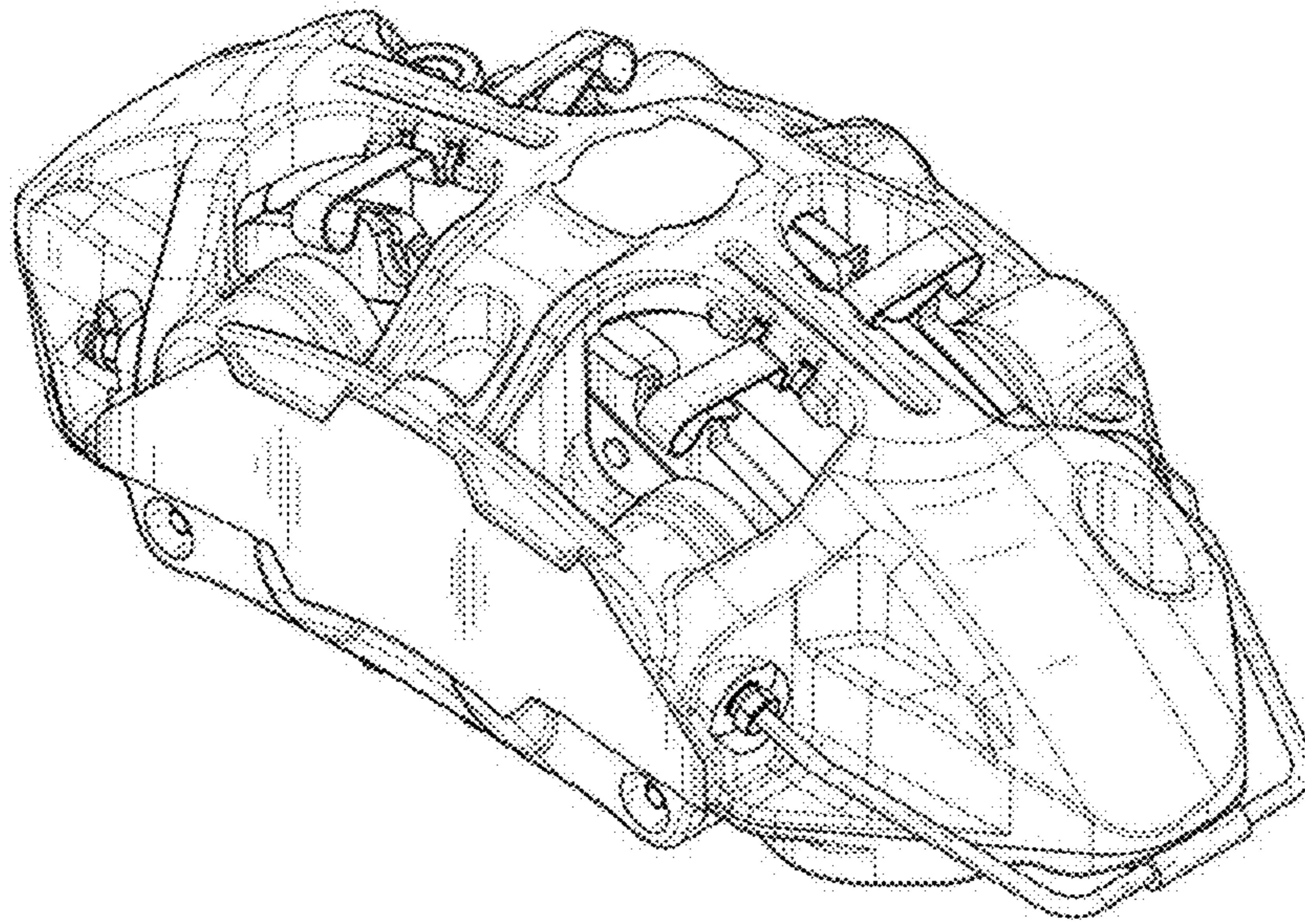


FIG. 2

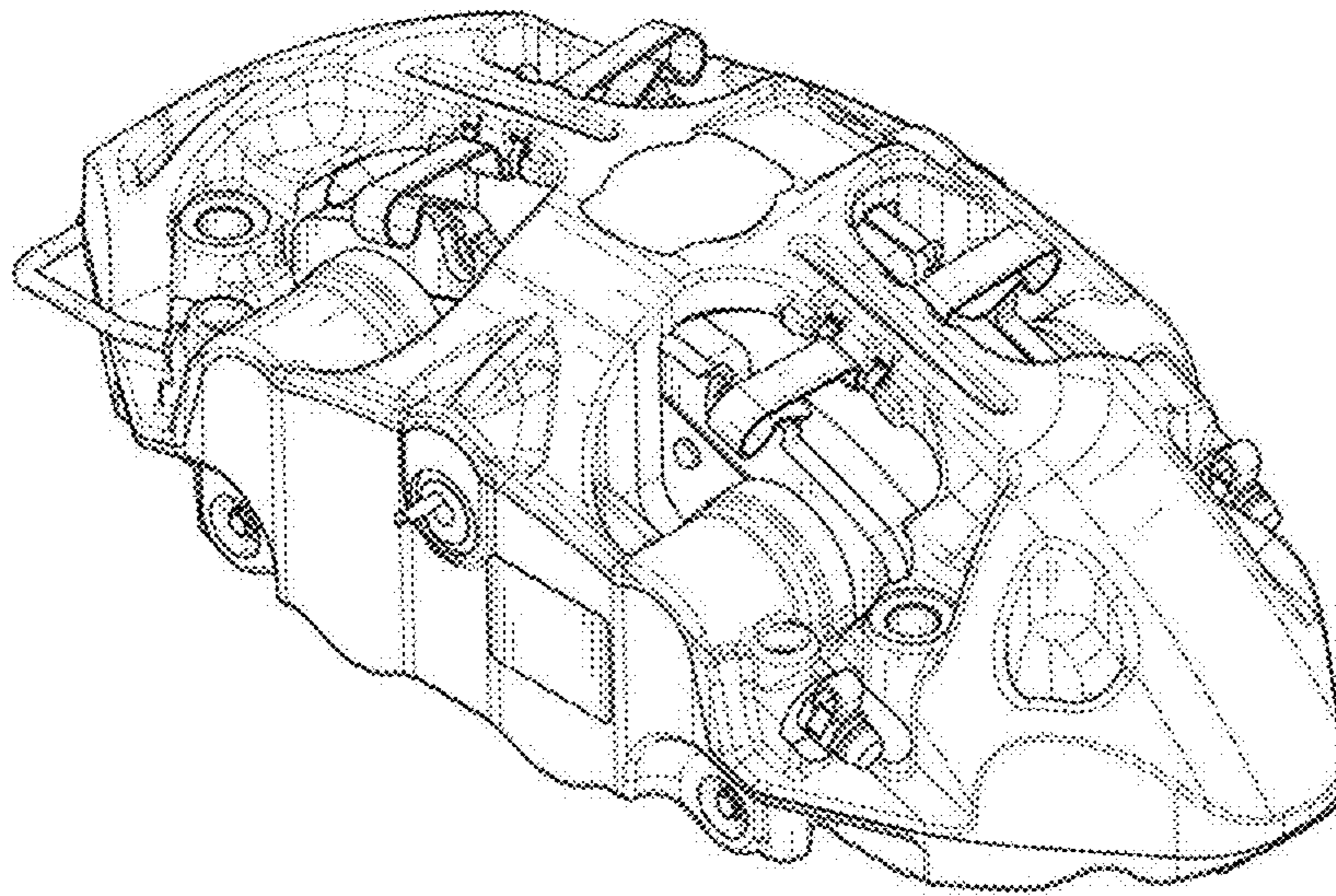


FIG. 3

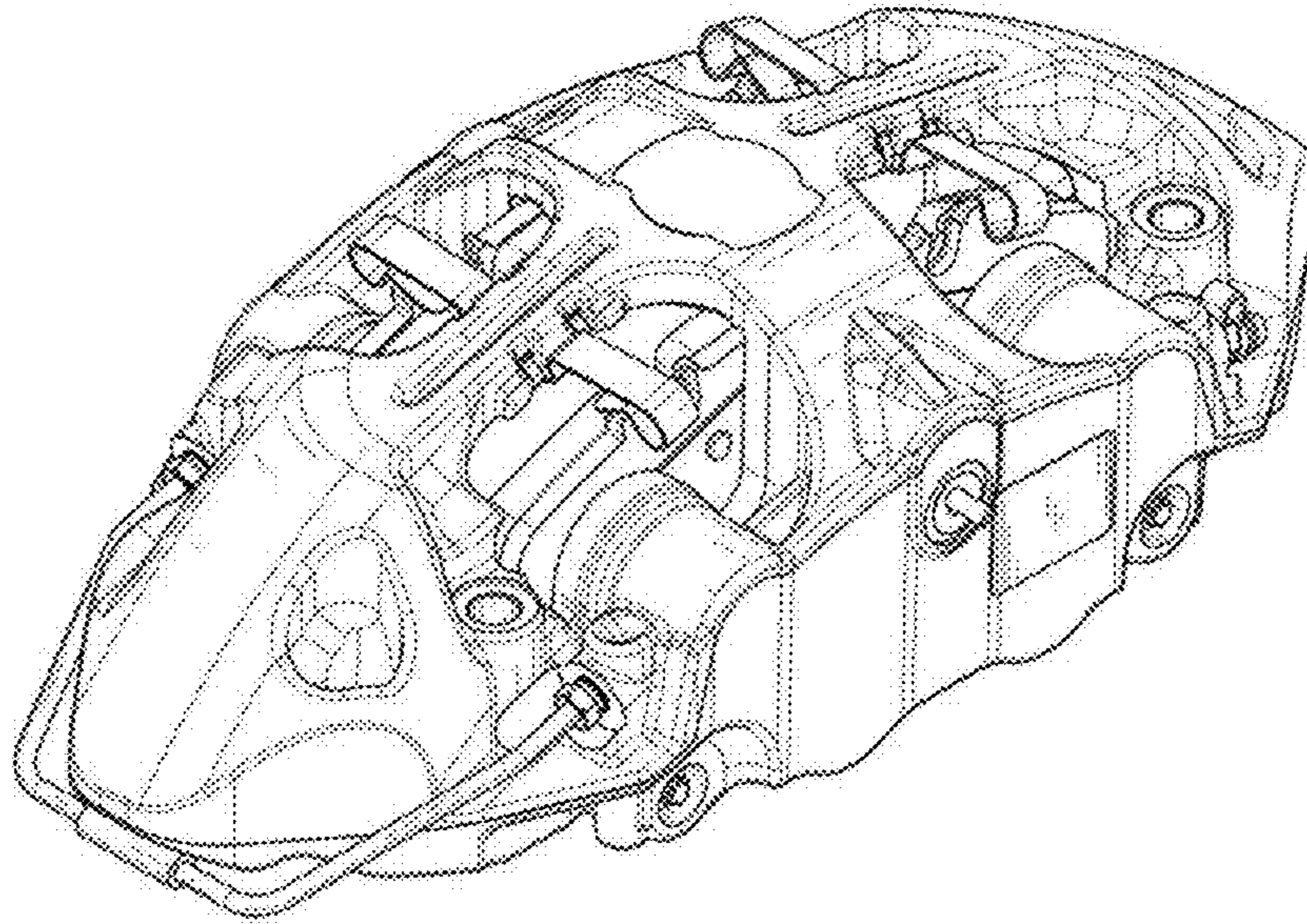


FIG.4

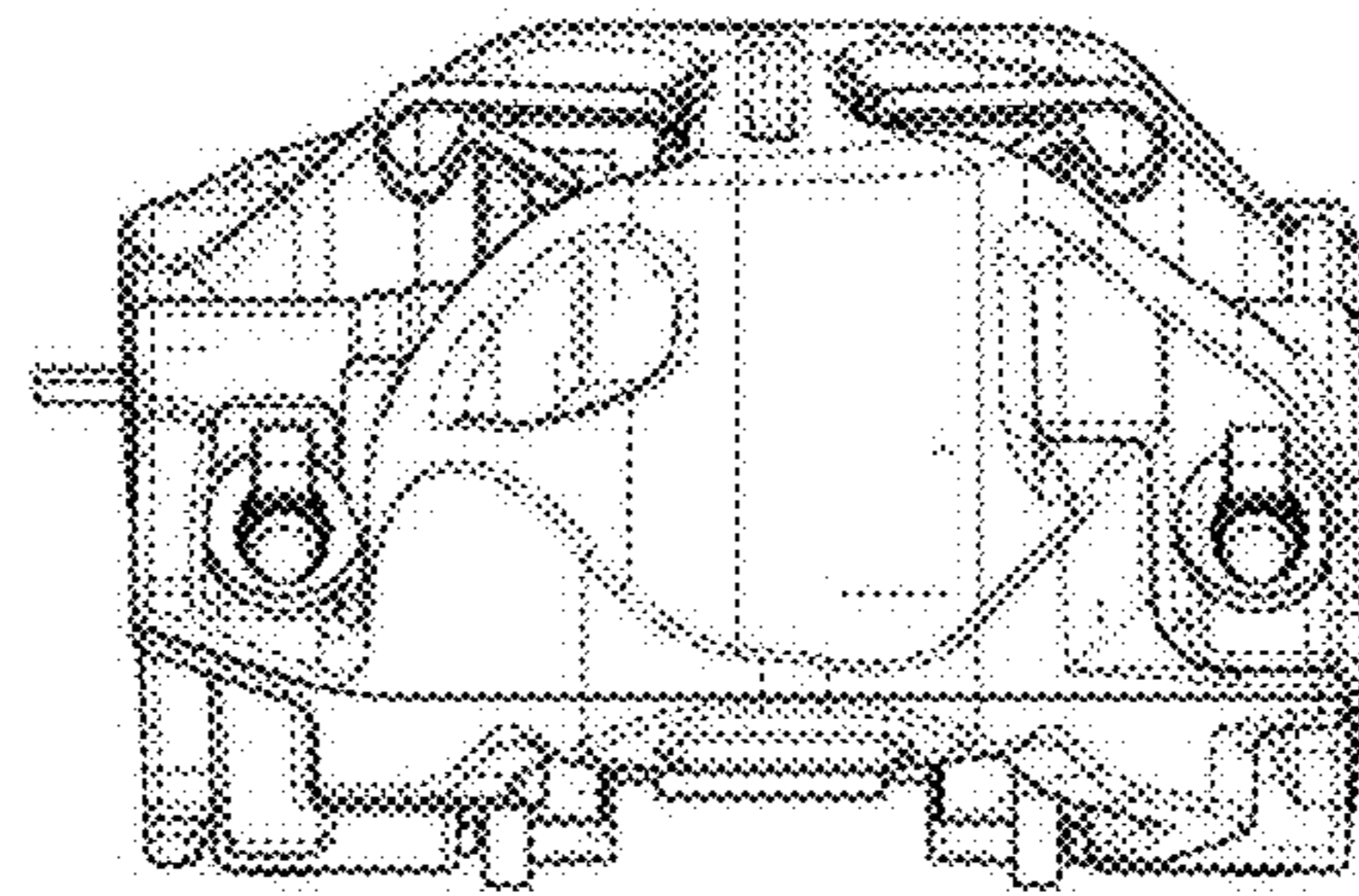


FIG. 5

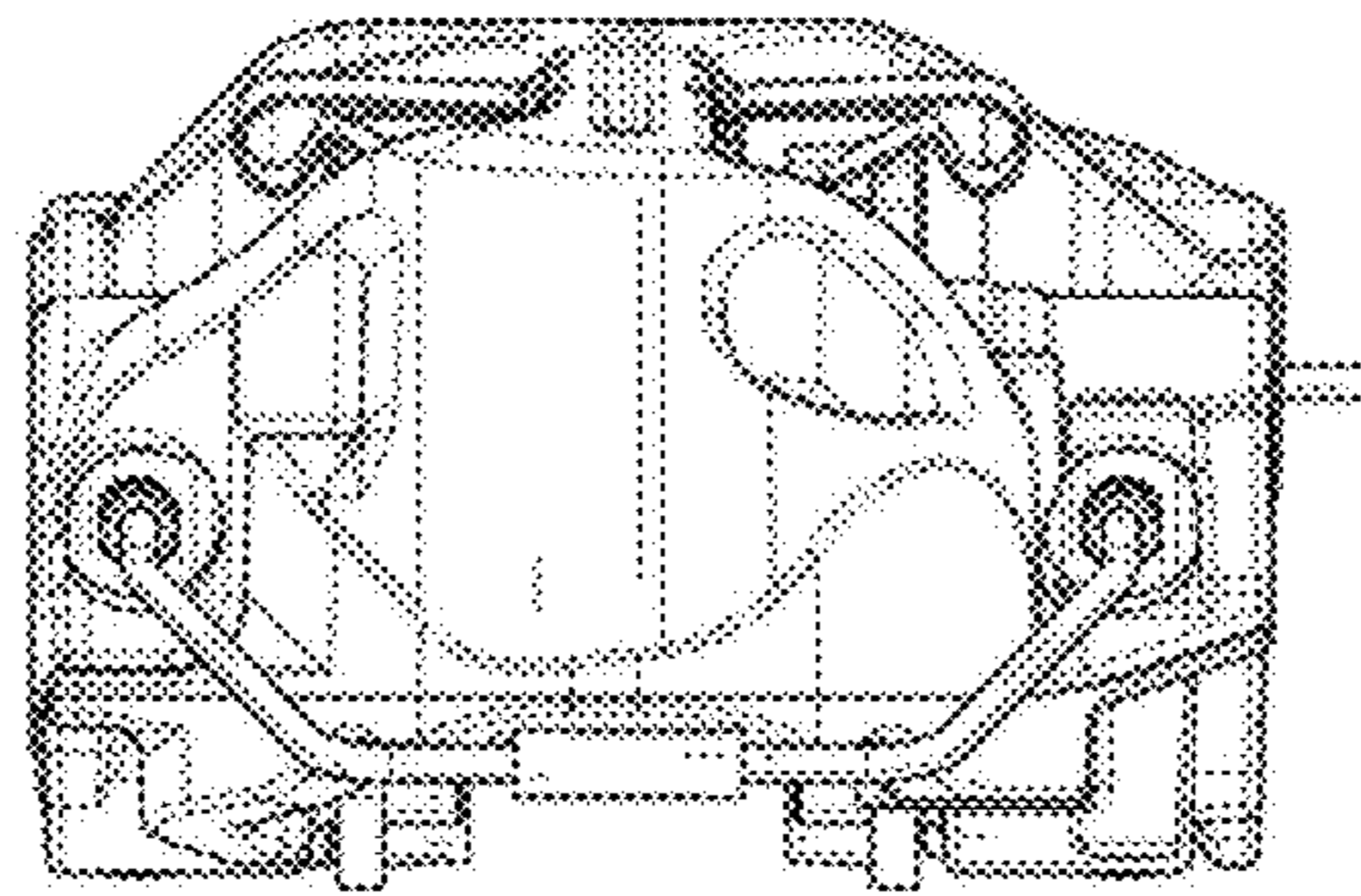


FIG. 6

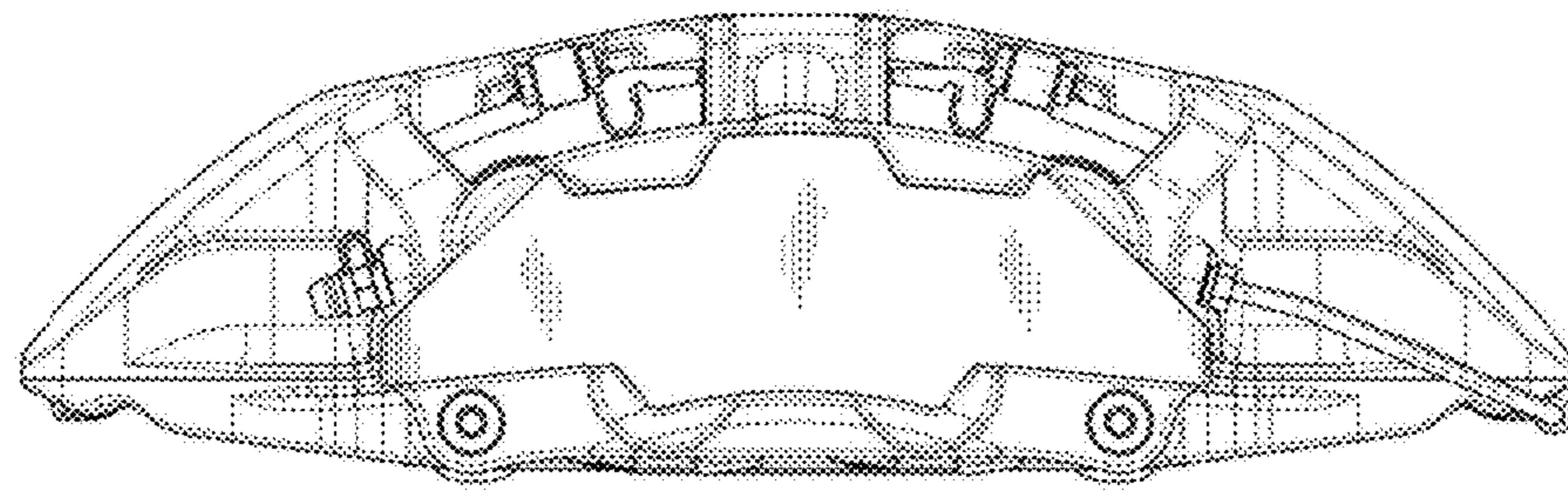


FIG. 7

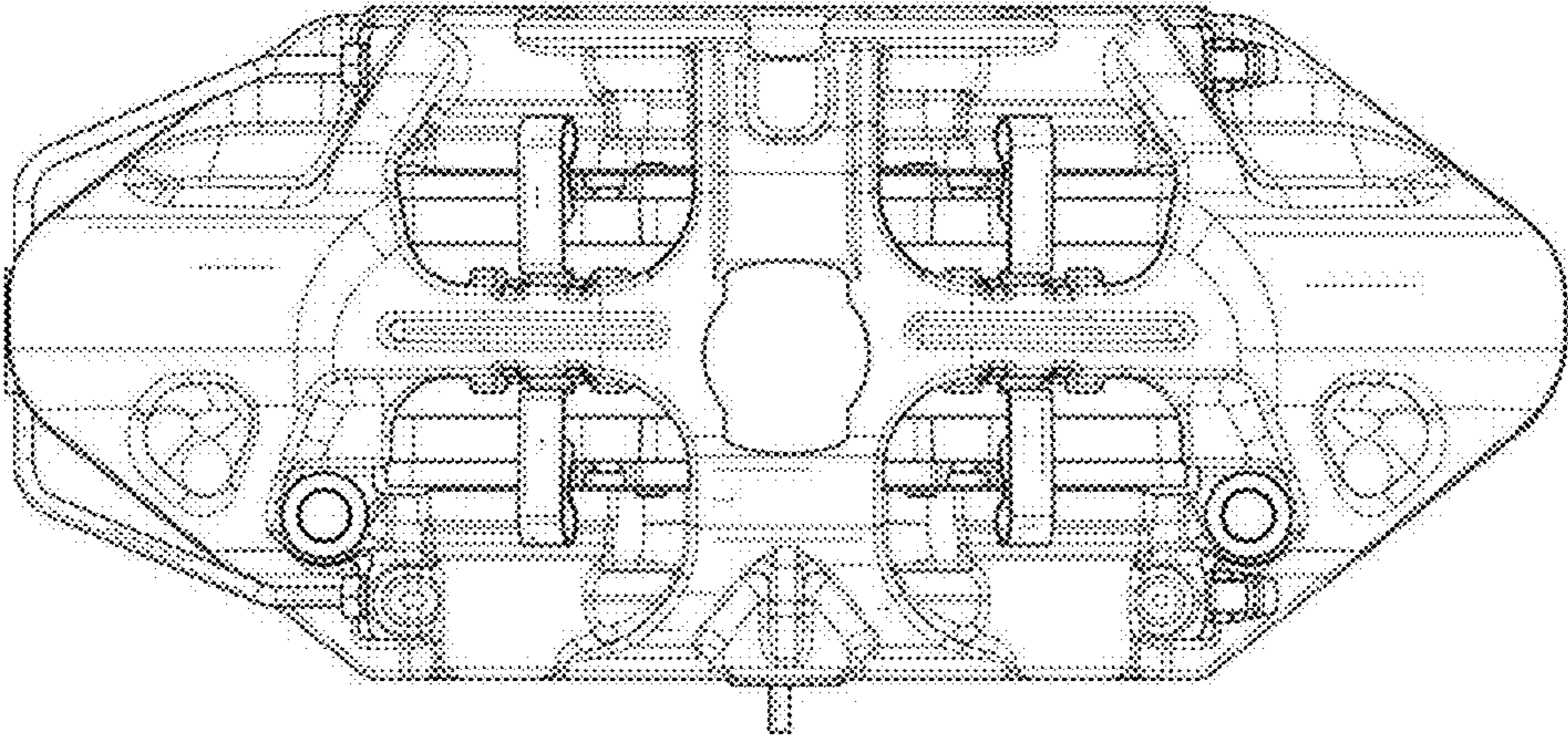


FIG. 8