



US00D861558S

(12) **United States Design Patent** (10) **Patent No.:** **US D861,558 S**
Huang (45) **Date of Patent:** **** Oct. 1, 2019**

- (54) **STEERING WHEEL COVER WITH COMFORT PADS**
- (71) Applicant: **Nan Huang Huang**, Rancho Palos Verdes, CA (US)
- (72) Inventor: **Nan Huang Huang**, Rancho Palos Verdes, CA (US)
- (73) Assignee: **Grand General Accessories LLC**, Rancho Dominguez, CA (US)
- (**) Term: **15 Years**
- (21) Appl. No.: **29/582,782**
- (22) Filed: **Oct. 31, 2016**
- (51) **LOC (12) Cl.** **12-16**
- (52) **U.S. Cl.**
USPC **D12/177**
- (58) **Field of Classification Search**
USPC D12/221, 400, 401, 412, 317, 406, 414, D12/175, 176, 177, 197, 199, 201, 202, D12/204, 212; D14/214, 204, 210, 215, D14/216
CPC A01B 1/00; B65G 7/12; B60P 1/00; B60P 3/1008; B60R 9/08; B60R 9/045; B60R 9/048; B60R 21/203; B60R 21/05; B62D 1/04; B62D 1/06; B62D 1/046; B62D 1/10; B60K 37/04; B60K 37/02; B60K 37/06
See application file for complete search history.

- 5,287,767 A * 2/1994 Engelstein B62D 1/06 74/558
 - D447,455 S * 9/2001 Stevens D12/177
 - D507,771 S * 7/2005 Wang D12/177
 - D701,153 S * 3/2014 Shen D12/177
 - D704,109 S * 5/2014 Shen D12/177
 - D704,110 S * 5/2014 Shen D12/177
 - D704,111 S * 5/2014 Shen D12/177
 - D710,272 S * 8/2014 Shen D12/177
 - 2014/0053679 A1 * 2/2014 He B62D 1/06 74/558
 - 2015/0239487 A1 * 8/2015 Huang B62D 1/06 74/558
 - 2016/0347346 A1 * 12/2016 Simmons B62D 1/06
- * cited by examiner

Primary Examiner — Susan E Krakower
Assistant Examiner — Jerry Shiuan-Hua Hsu
 (74) *Attorney, Agent, or Firm* — Thomas I. Rozsa

(57) **CLAIM**
 The ornamental design for a steering wheel cover with comfort pads, as shown and described.

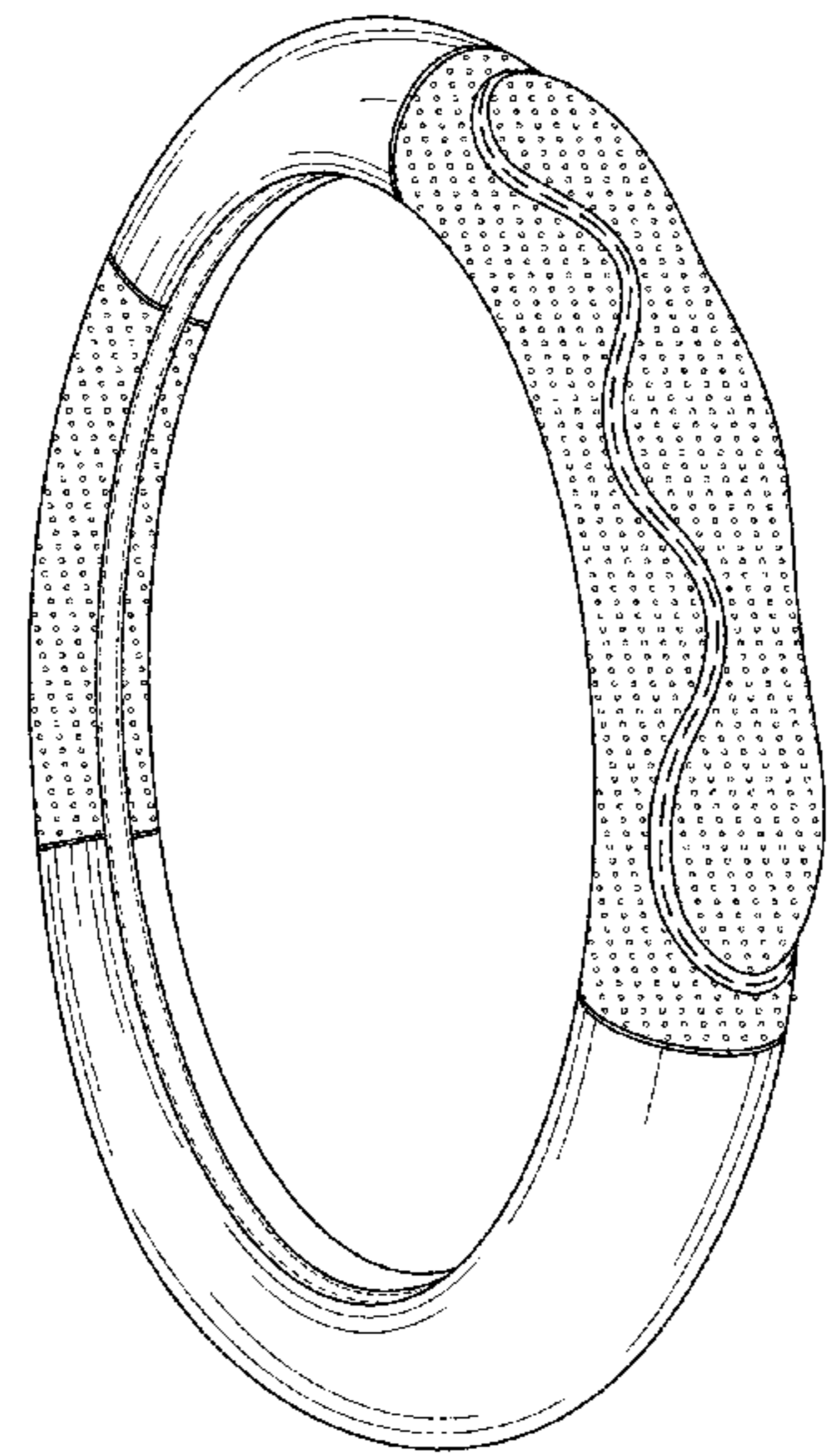
DESCRIPTION

FIG. 1 is a rear side perspective view of the steering wheel cover with comfort pads, showing my new design;
 FIG. 2 is a front view thereof;
 FIG. 3 is a rear view thereof;
 FIG. 4 is a top view thereof;
 FIG. 5 is a bottom view thereof;
 FIG. 6 is a left side view thereof; and,
 FIG. 7 is a right side view thereof.

The broken lines on the exterior comfort pads illustrate stitching on the surface of the steering wheel cover with comfort pads that forms part of the claimed design. The broken lines illustrating interior portions of the steering wheel cover form no part of the claimed design.

1 Claim, 5 Drawing Sheets

- (56) **References Cited**
 U.S. PATENT DOCUMENTS
 D222,768 S * 12/1971 Hikosaburo D12/176
 5,213,007 A * 5/1993 Yoo B62D 1/06 74/552



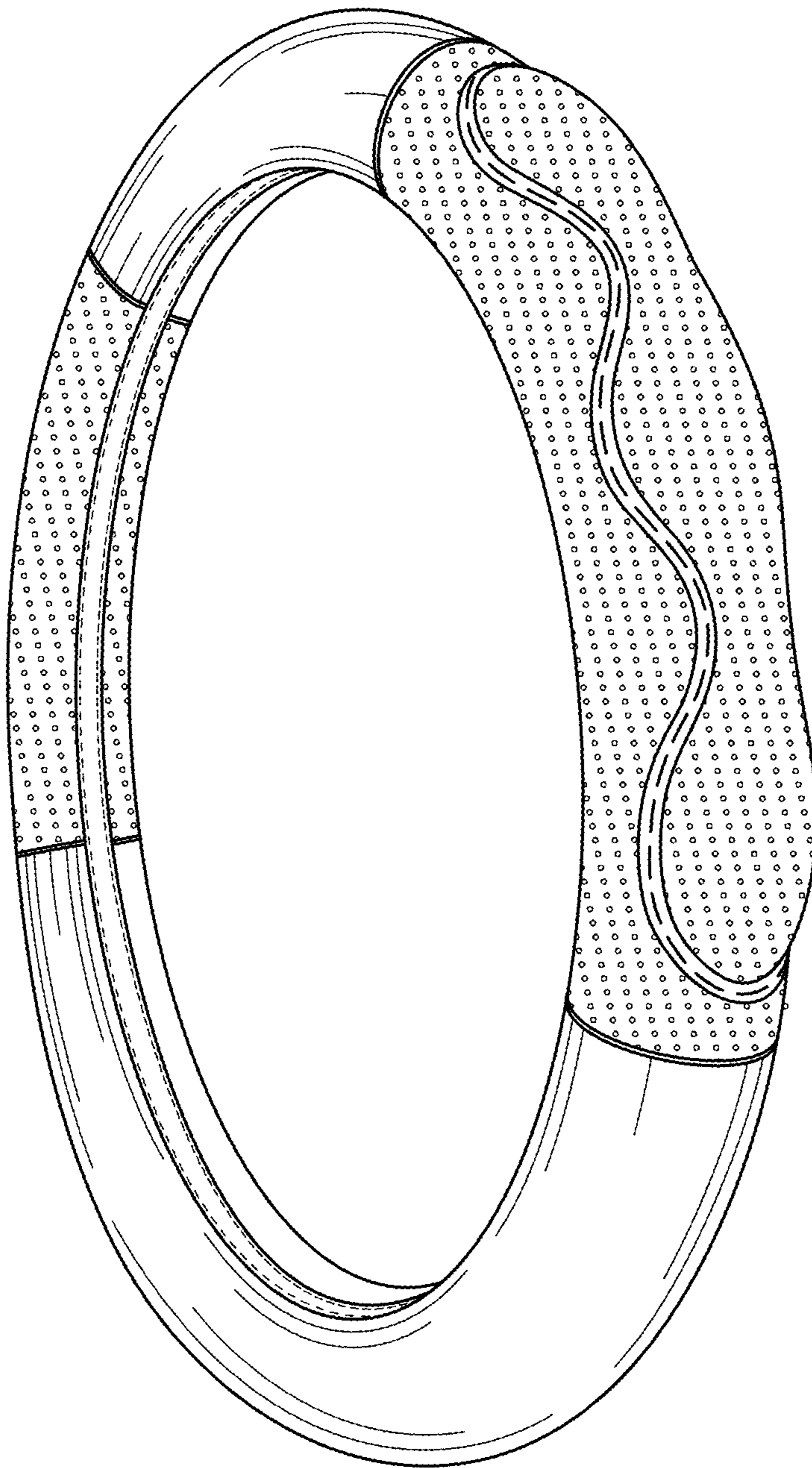


FIG. 1

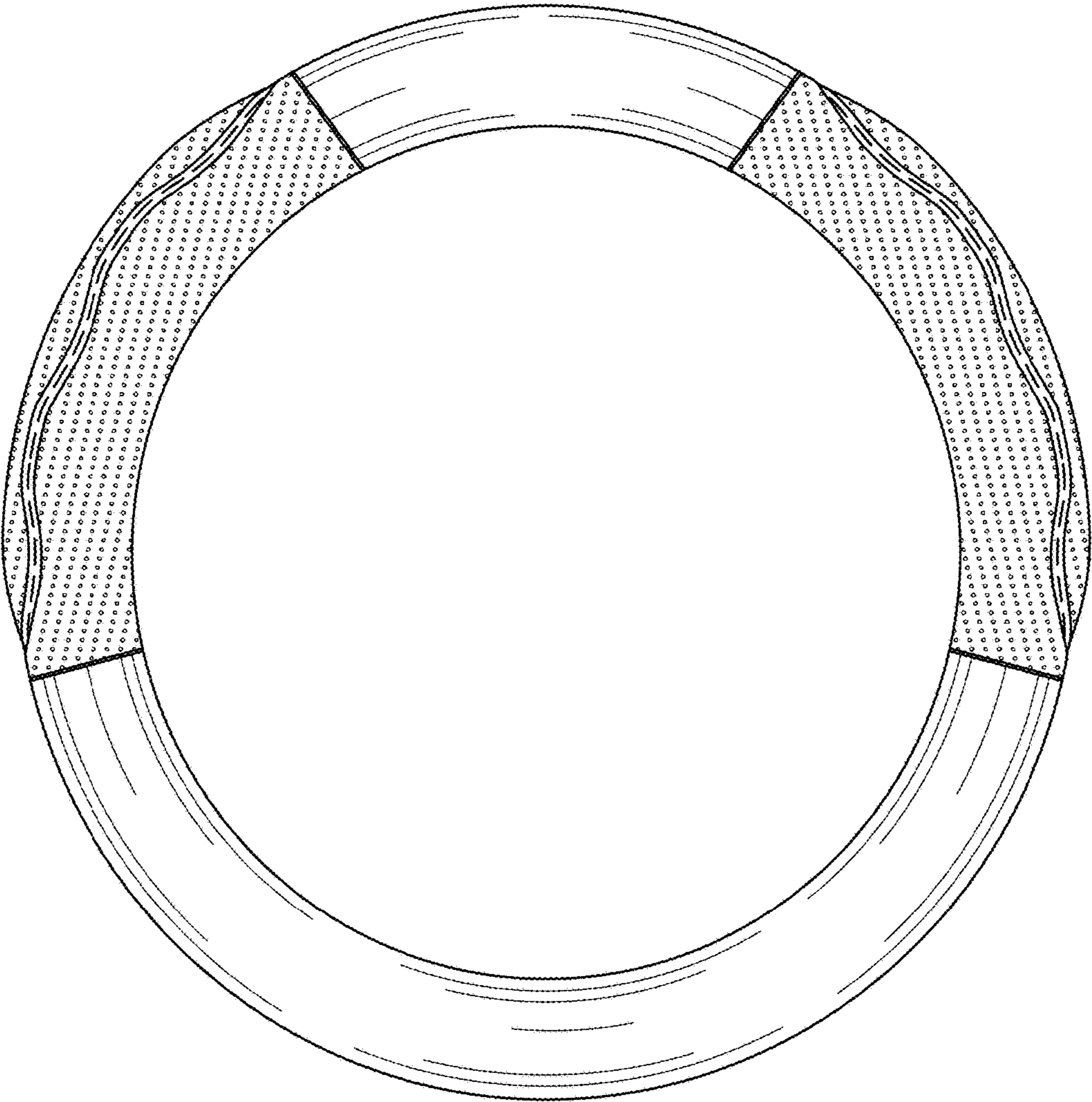


FIG. 2

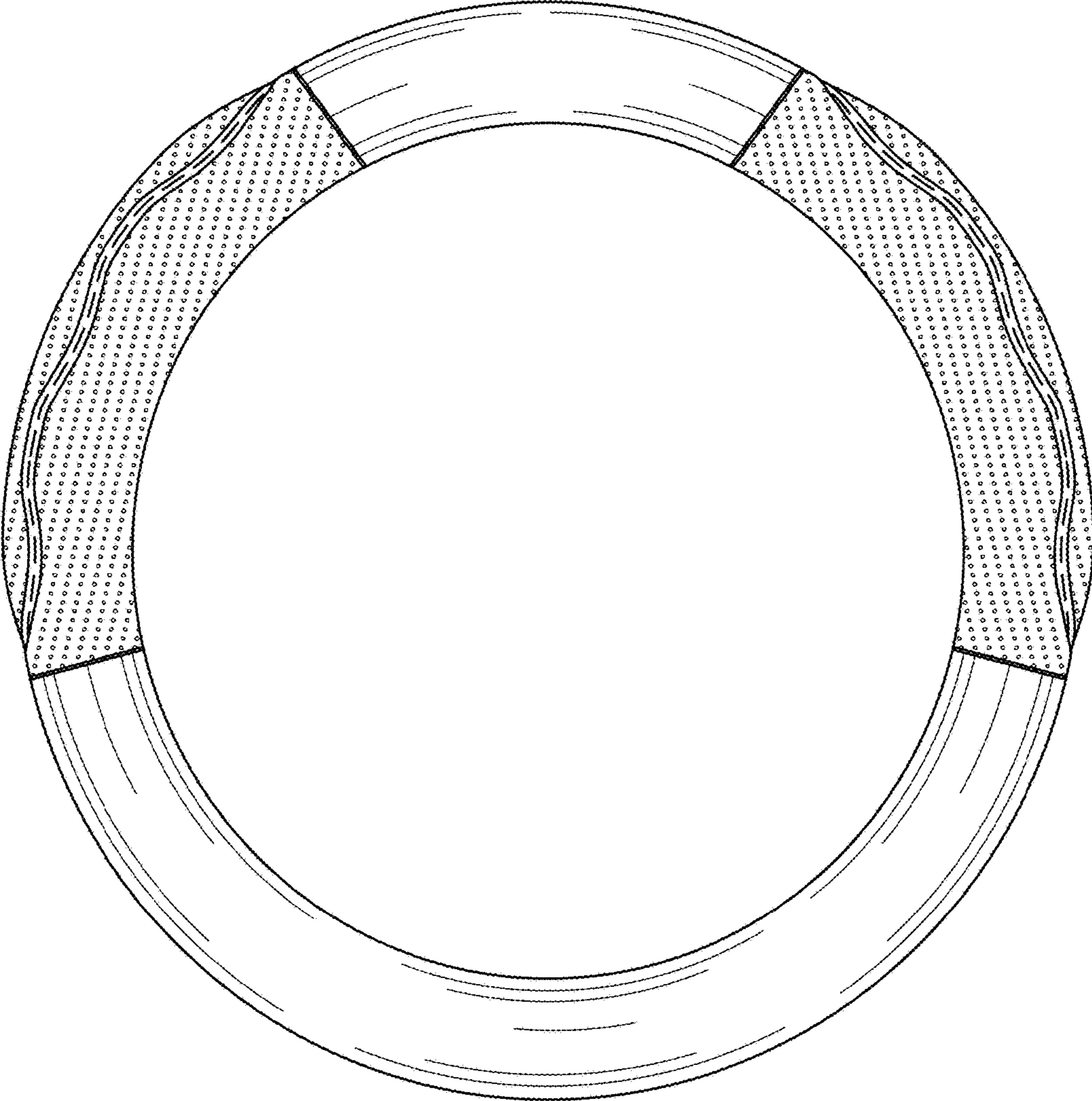


FIG. 3

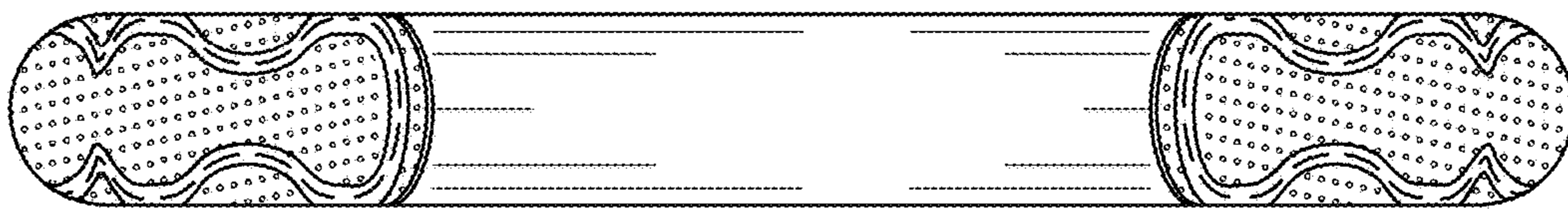


FIG. 4



FIG. 5

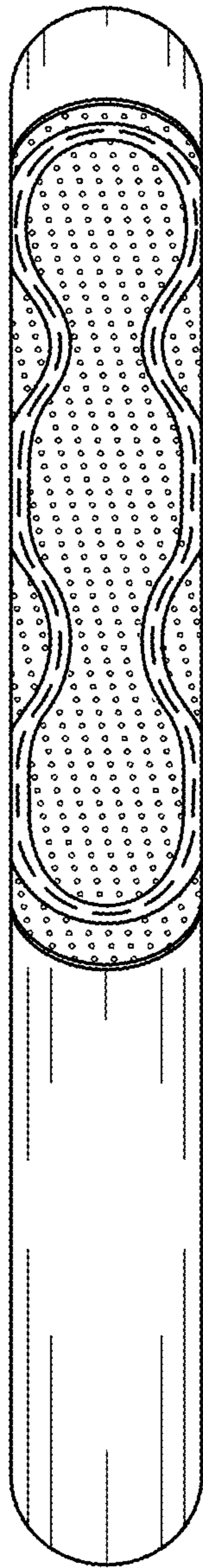


FIG. 6

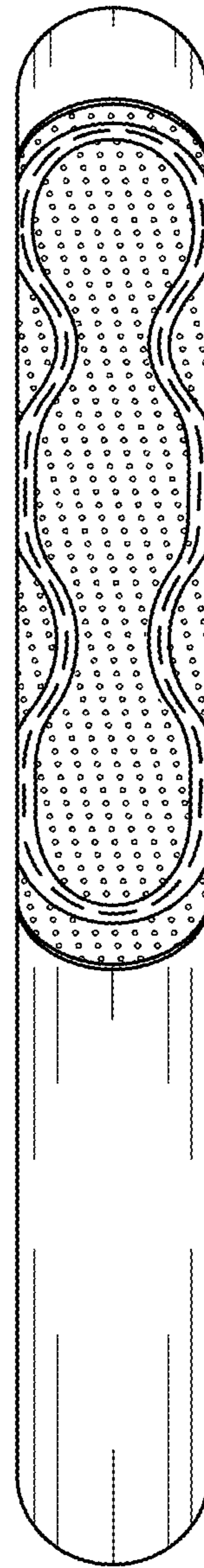


FIG. 7