



US00D861549S

(12) **United States Design Patent** (10) **Patent No.:** **US D861,549 S**  
**Lai** (45) **Date of Patent:** **\*\* Oct. 1, 2019**

(54) **ELECTRONIC CIGARETTE POWER SUPPLY DEVICE**

(71) Applicant: **SHENZHEN SMOORE TECHNOLOGY LIMITED**,  
Shenzhen, Guangdong (CN)

(72) Inventor: **Baosheng Lai**, Guangdong (CN)

(73) Assignee: **Shenzhen Smoore Technology Limited**, Shenzhen (CN)

(\*\*) Term: **15 Years**

(21) Appl. No.: **29/646,182**

(22) Filed: **May 2, 2018**

(30) **Foreign Application Priority Data**

Jan. 18, 2018 (CN) ..... 2018 3 0023937

(51) **LOC (12) Cl.** ..... **13-02**

(52) **U.S. Cl.**  
USPC ..... **D12/167; D13/103**

(58) **Field of Classification Search**  
USPC ..... D27/100, 101, 162-196; D23/366;  
D24/110; D19/101, 106, 115, 165, 195;  
D13/103  
CPC ..... A24F 47/00; A24F 47/002; A24F 15/12;  
A24F 1/32; A61M 2205/8237; A61M  
2205/82  
See application file for complete search history.

(56) **References Cited**

**U.S. PATENT DOCUMENTS**

D577,150 S \* 9/2008 Bryman ..... D27/163  
D682,196 S \* 5/2013 Leung ..... D13/103  
D682,197 S \* 5/2013 Leung ..... D13/103  
D693,765 S \* 11/2013 Workman ..... D13/110  
D700,397 S \* 2/2014 Manca ..... D27/189

D708,129 S \* 7/2014 Houghton ..... D13/103  
D717,488 S \* 11/2014 Martin ..... D27/141  
D729,444 S \* 5/2015 Leidel ..... D27/163  
D729,445 S \* 5/2015 Leidel ..... D27/163  
D730,572 S \* 5/2015 Leidel ..... D27/163  
D733,043 S \* 6/2015 Hasbrook ..... D13/103  
D743,099 S \* 11/2015 Oglesby ..... D27/101  
D748,325 S \* 1/2016 Leidel ..... D27/163  
D752,808 S \* 3/2016 Hearn ..... D27/189  
D758,004 S \* 5/2016 Freshwater ..... D27/163  
D758,656 S \* 6/2016 Freshwater ..... D27/163  
D768,331 S \* 10/2016 Chen ..... D27/101  
D769,520 S \* 10/2016 Hua ..... D27/167  
D770,678 S \* 11/2016 Shin ..... D27/163  
D771,867 S \* 11/2016 Leidel ..... D27/163  
D772,477 S \* 11/2016 Shin ..... D27/163

(Continued)

*Primary Examiner* — Marissa J Cash

(74) *Attorney, Agent, or Firm* — Ladas & Parry LLP

(57) **CLAIM**

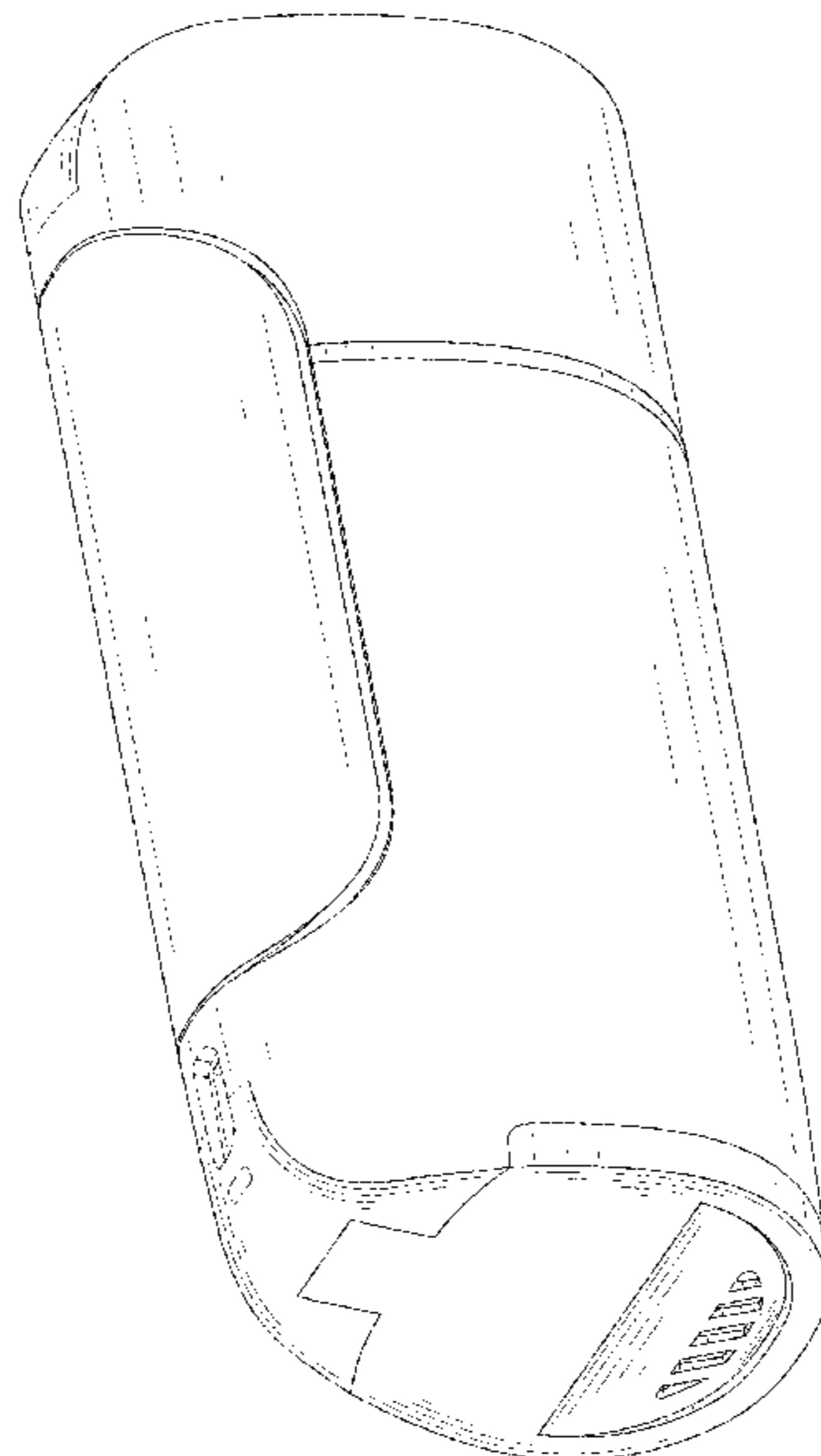
The ornamental design for an electronic cigarette power supply device, as shown and described.

**DESCRIPTION**

FIG. 1 is a front elevational view of an electronic cigarette power supply device showing my new design;  
FIG. 2 is a rear elevational view thereof;  
FIG. 3 is a left-side elevational view thereof;  
FIG. 4 is a right-side elevational view thereof;  
FIG. 5 is a top plan view thereof;  
FIG. 6 is a bottom plan view thereof;  
FIG. 7 is a front, top, left perspective view thereof;  
FIG. 8 is a rear, bottom, right perspective view thereof; and,  
FIG. 9 is a partially enlarged view thereof as indicated in FIG. 7.

The broken lines in the drawings are for the purpose of illustrating unclaimed portions of the electronic cigarette power supply device and form no part of the claimed design.

**1 Claim, 9 Drawing Sheets**



(56)

References Cited

U.S. PATENT DOCUMENTS

D773,114 S \* 11/2016 Leidel ..... D27/163  
 D773,116 S \* 11/2016 Liu ..... D27/167  
 D775,414 S \* 12/2016 Ampolini ..... D13/108  
 D775,762 S \* 1/2017 Chen ..... D27/101  
 D776,051 S \* 1/2017 Wang ..... D13/103  
 D785,862 S \* 5/2017 Wu ..... D27/167  
 D788,362 S \* 5/2017 Qiu ..... D27/101  
 D790,766 S \* 6/2017 Li ..... D27/163  
 D792,020 S \* 7/2017 Mendoza ..... D27/101  
 D792,642 S \* 7/2017 Mendoza ..... D27/101  
 D799,111 S \* 10/2017 Qiu ..... D27/101  
 D799,746 S \* 10/2017 Leidel ..... D27/163  
 D800,058 S \* 10/2017 Qiu ..... D13/103  
 D800,377 S \* 10/2017 Liu ..... D27/101  
 D801,507 S \* 10/2017 Kelnhofer ..... D23/366  
 D805,028 S \* 12/2017 Liu ..... D13/103  
 D805,470 S \* 12/2017 Qiu ..... D13/103  
 D806,311 S \* 12/2017 Smith ..... D27/162  
 D807,286 S \* 1/2018 Qiu ..... D13/103  
 D808,073 S \* 1/2018 Leidel ..... D27/162  
 D809,454 S \* 2/2018 Zhou ..... D13/103  
 D814,693 S \* 4/2018 Qiu ..... D27/101  
 9,968,136 B1 \* 5/2018 Bell ..... A24F 47/008  
 D819,880 S \* 6/2018 Qiu ..... D27/101  
 D819,882 S \* 6/2018 Qiu ..... D27/101  
 D820,514 S \* 6/2018 Durand ..... D27/162  
 D825,455 S \* 8/2018 Liu ..... D13/103  
 D827,566 S \* 9/2018 Liu ..... D13/103  
 D828,953 S \* 9/2018 Chen ..... D27/167  
 D829,375 S \* 9/2018 Huang ..... D27/162  
 D829,981 S \* 10/2018 Chen ..... D27/162  
 D829,982 S \* 10/2018 Wang ..... D27/167  
 D829,983 S \* 10/2018 Wang ..... D27/167  
 D832,504 S \* 10/2018 Qiu ..... D27/163  
 D832,505 S \* 10/2018 Bennett ..... D27/193  
 10,085,485 B2 \* 10/2018 Hunt ..... A24F 47/008  
 D833,672 S \* 11/2018 Qiu ..... D27/163  
 D834,744 S \* 11/2018 Zhu ..... D27/101  
 D834,746 S \* 11/2018 Liu ..... D27/162

D835,840 S \* 12/2018 Liu ..... D27/162  
 D835,857 S \* 12/2018 Benacquisto ..... D30/158  
 D839,823 S \* 2/2019 Lemelson ..... D13/103  
 D842,237 S \* 3/2019 Qiu ..... D13/103  
 D842,238 S \* 3/2019 Qiu ..... D13/103  
 D842,243 S \* 3/2019 Qiu ..... D13/108  
 D843,052 S \* 3/2019 Powell ..... D27/163  
 D844,232 S \* 3/2019 Qiu ..... D27/163  
 D845,229 S \* 4/2019 Chen ..... D13/103  
 D846,796 S \* 4/2019 Pan ..... D27/101  
 D846,798 S \* 4/2019 Chen ..... D27/163  
 D849,994 S \* 5/2019 Yan ..... D27/163  
 D850,714 S \* 6/2019 Guo ..... D27/194  
 2014/0217085 A1 \* 8/2014 Alima ..... A24F 47/008  
 219/474  
 2016/0037826 A1 \* 2/2016 Hearn ..... A24F 47/008  
 141/3  
 2016/0052700 A1 \* 2/2016 Hearn ..... B65D 83/42  
 141/5  
 2017/0027221 A1 \* 2/2017 Liu ..... H02J 7/0044  
 2017/0042228 A1 \* 2/2017 Liu ..... A24F 47/008  
 2017/0042245 A1 \* 2/2017 Buchberger ..... H05B 3/12  
 2017/0064999 A1 \* 3/2017 Perez ..... A24F 47/008  
 2017/0101256 A1 \* 4/2017 Zeitlin ..... A24F 15/20  
 2017/0119053 A1 \* 5/2017 Henry, Jr. .... A61M 15/00  
 2017/0156398 A1 \* 6/2017 Sur ..... A24F 47/008  
 2017/0245550 A1 \* 8/2017 Freeland ..... A61M 15/06  
 2017/0341850 A1 \* 11/2017 Sebastian ..... A24B 15/16  
 2017/0347708 A1 \* 12/2017 Shin ..... A24F 47/002  
 2018/0013175 A1 \* 1/2018 Liu ..... H01M 2/1055  
 2018/0035715 A1 \* 2/2018 Wu ..... H05B 1/0297  
 2018/0055091 A1 \* 3/2018 Trzeciecki ..... A24F 47/008  
 2018/0084828 A1 \* 3/2018 Phillips ..... A61M 15/0021  
 2018/0160738 A1 \* 6/2018 Verleur ..... A61M 11/042  
 2018/0160739 A1 \* 6/2018 Chen ..... A24F 47/008  
 2018/0166238 A1 \* 6/2018 Chen ..... A24F 47/00  
 2018/0228218 A1 \* 8/2018 Chu ..... A24F 47/008  
 2018/0263288 A1 \* 9/2018 Goldstein ..... A24F 47/008  
 2019/0116884 A1 \* 4/2019 Conley ..... A24F 47/008  
 2019/0150508 A1 \* 5/2019 Thorsen ..... A24F 47/008

\* cited by examiner

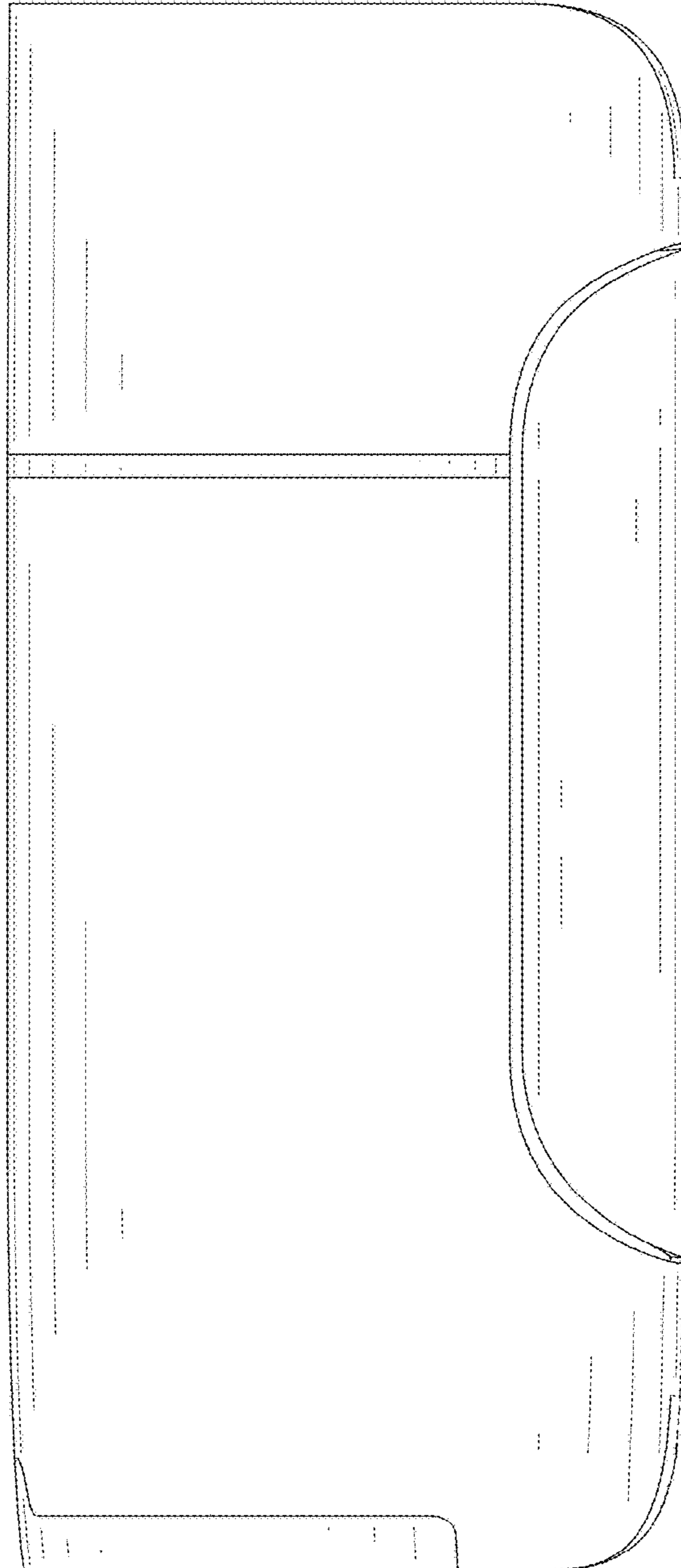


FIG. 1

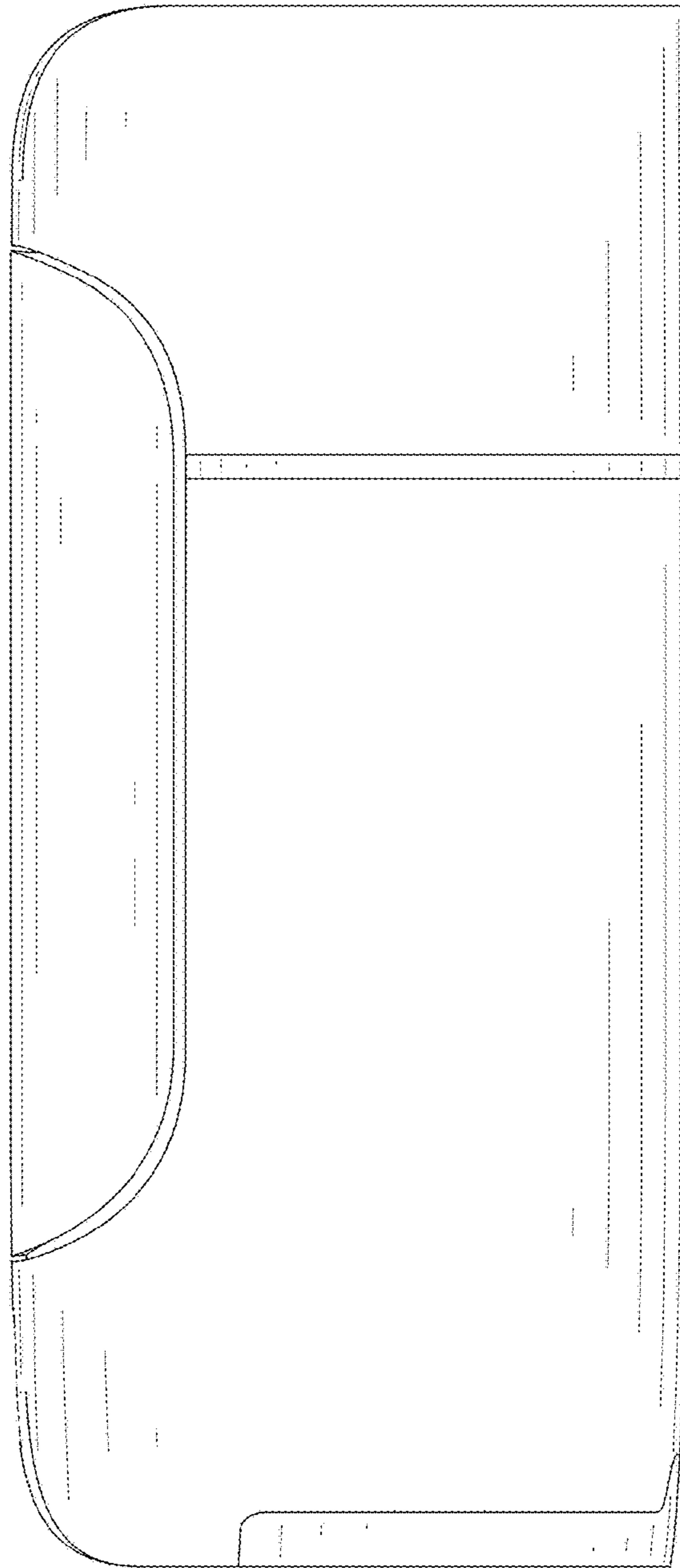


FIG. 2



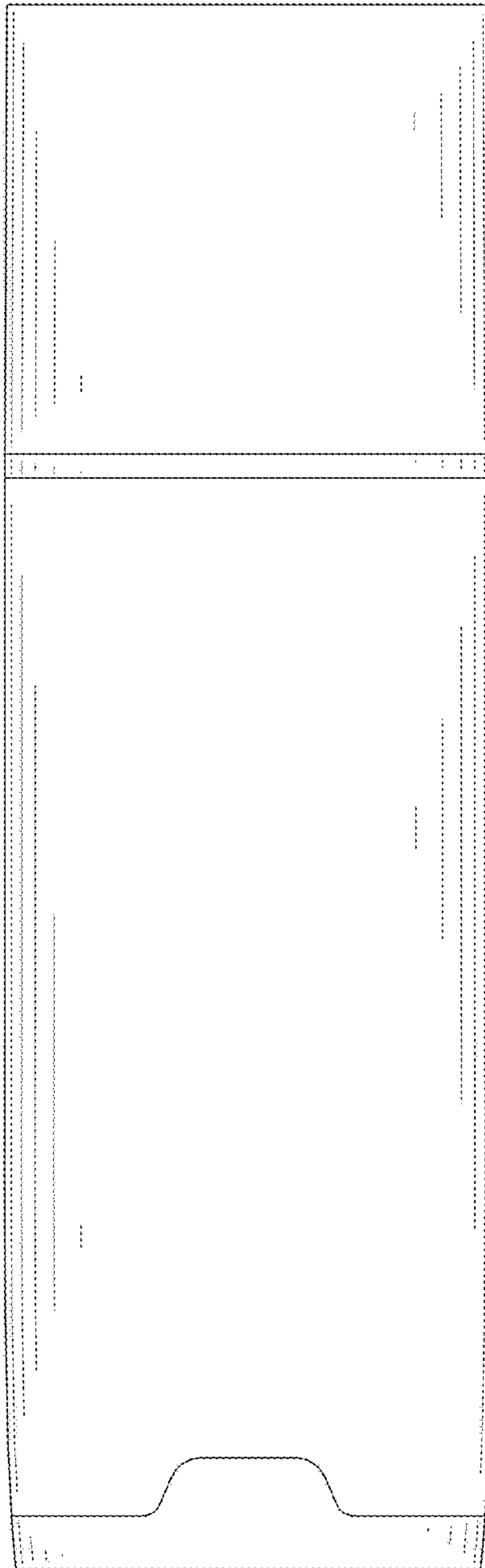


FIG. 3

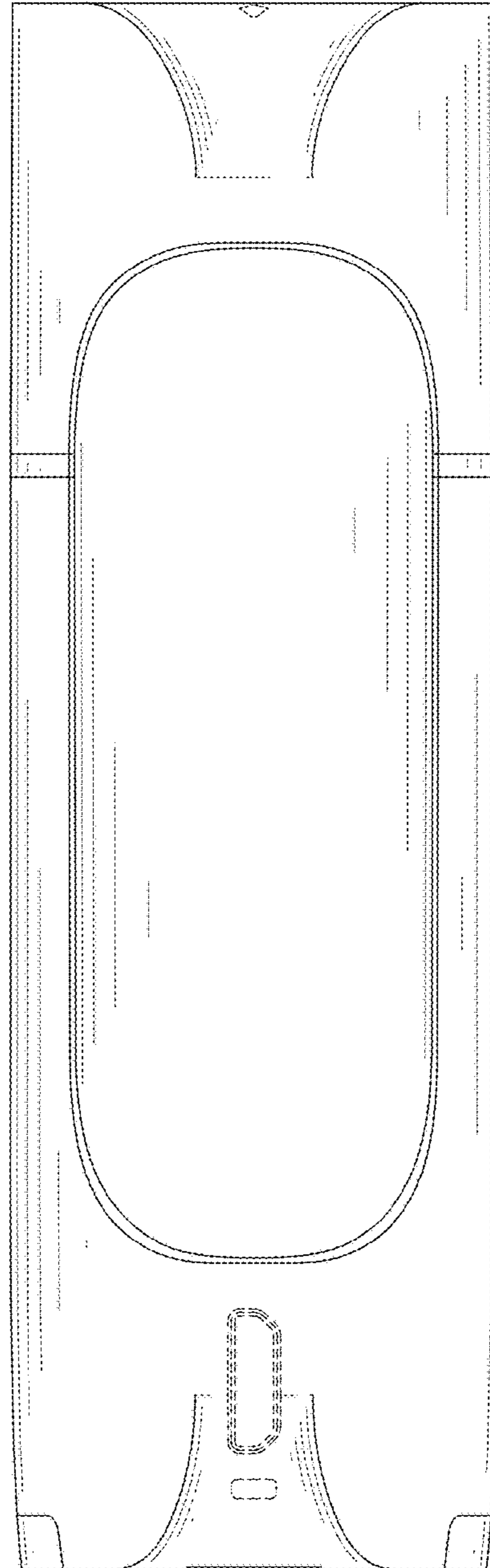


FIG. 4

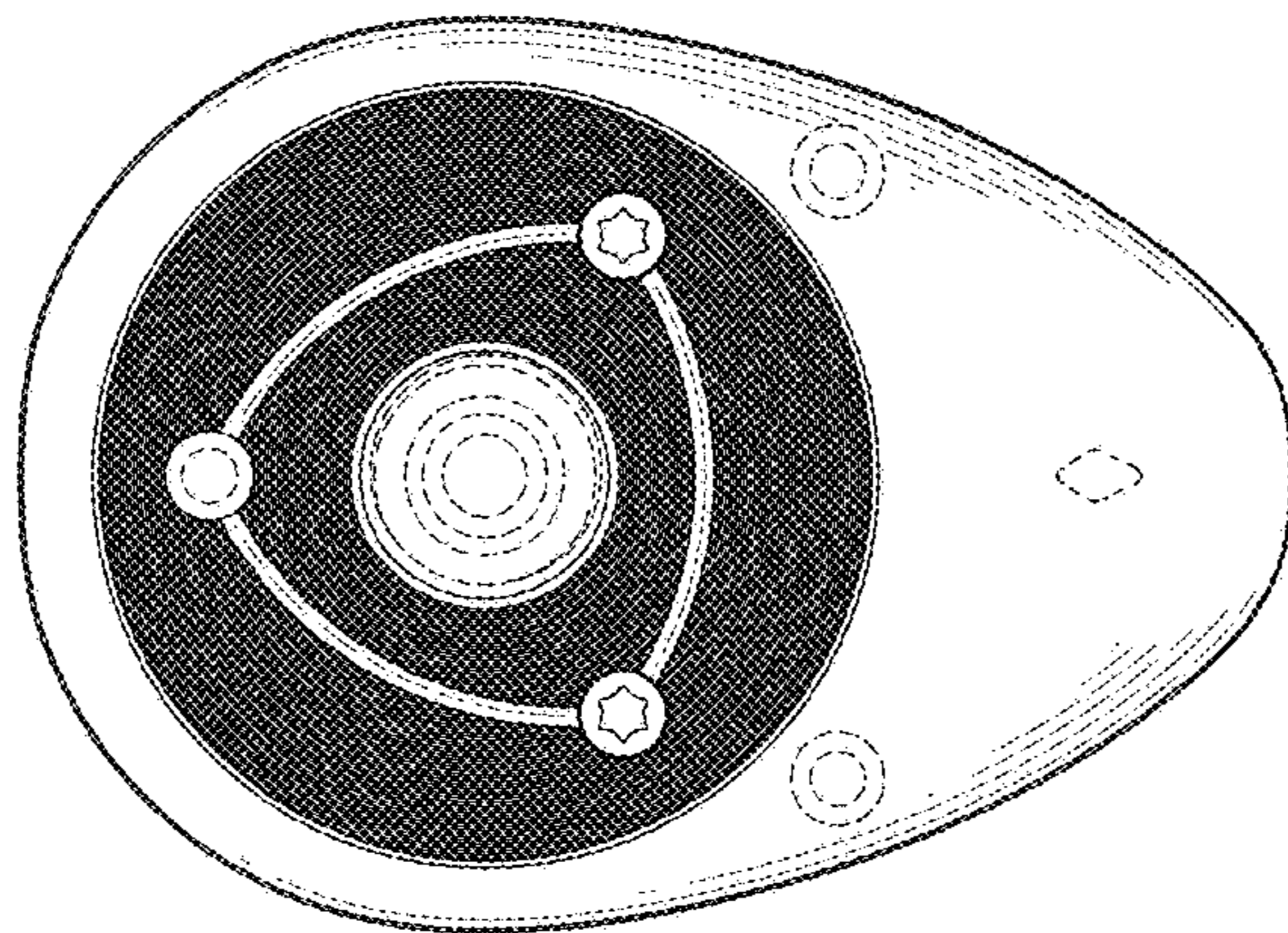


FIG. 5

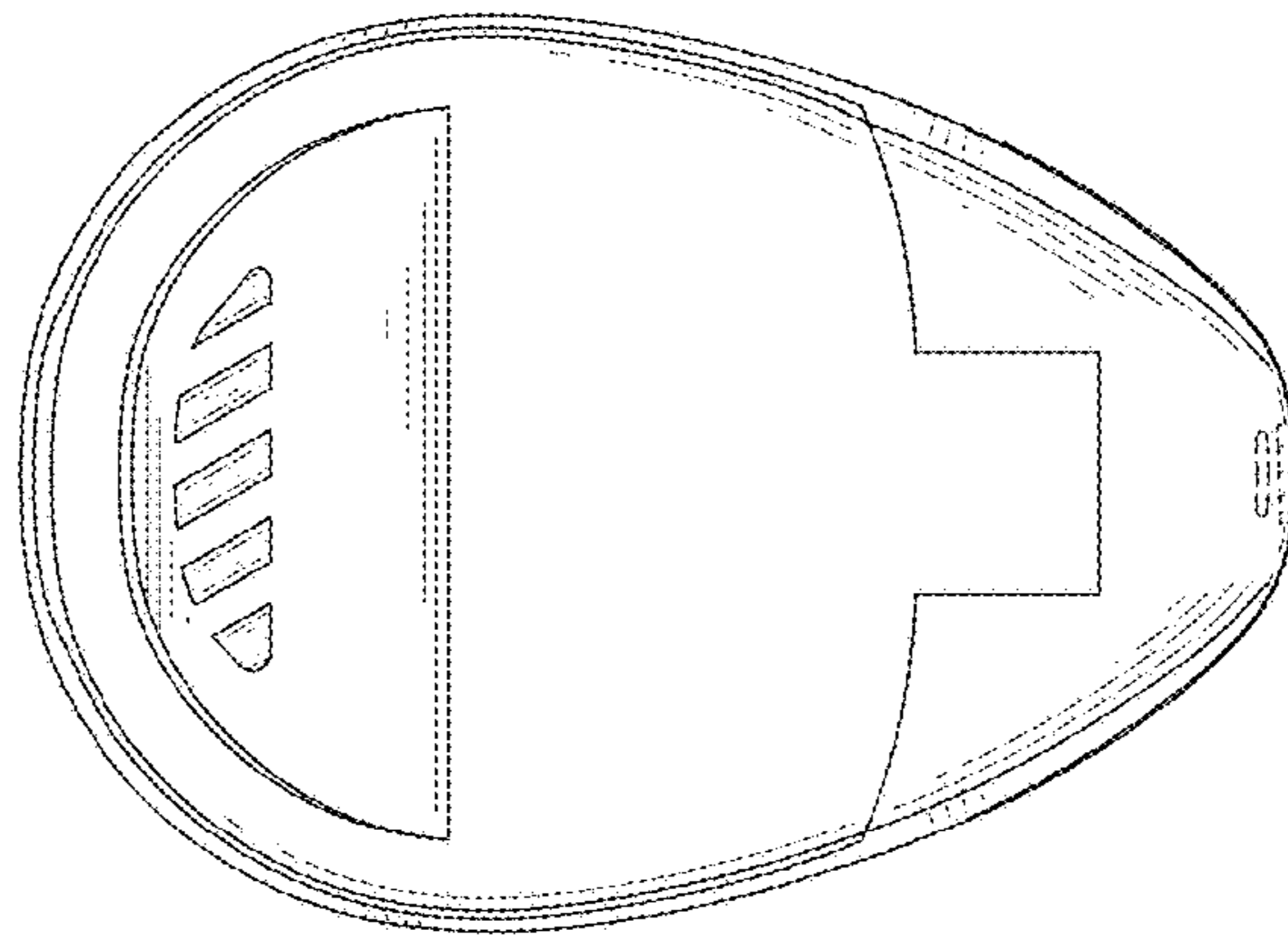


FIG. 6



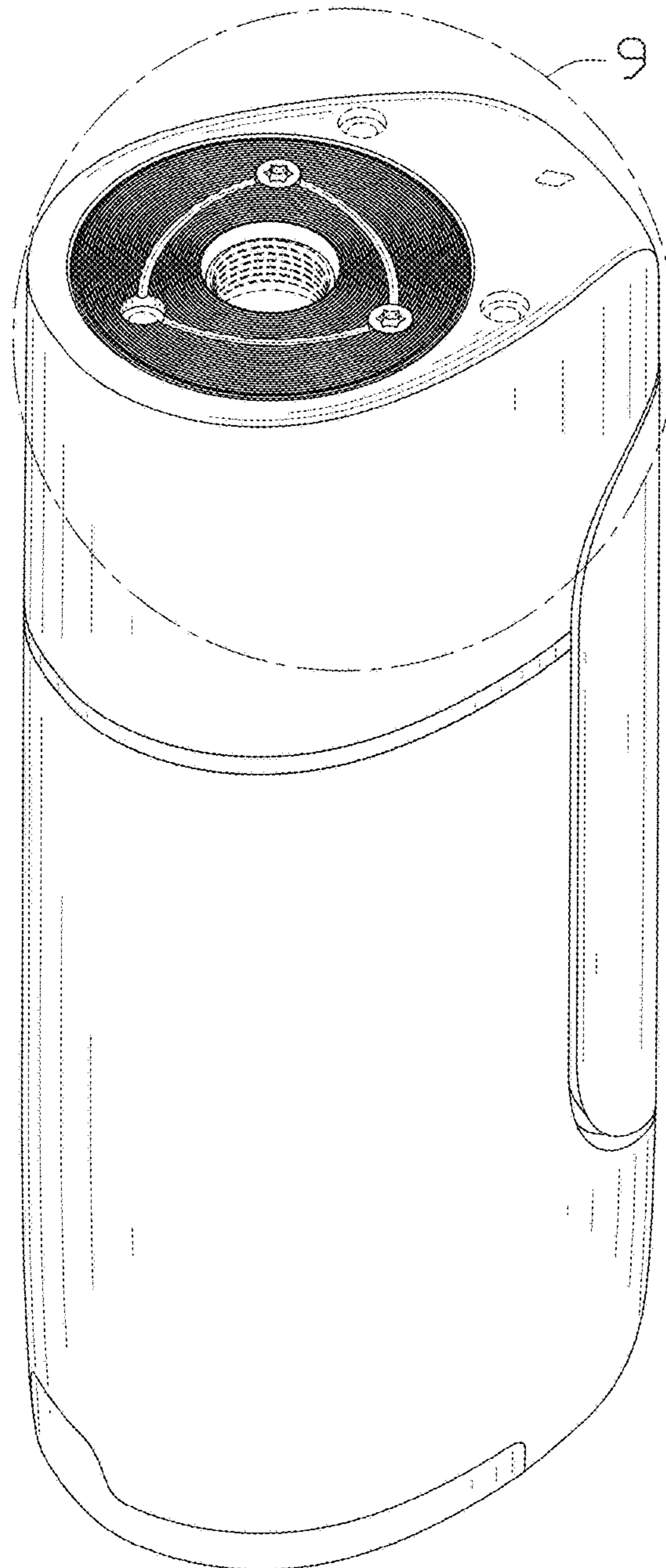


FIG. 7

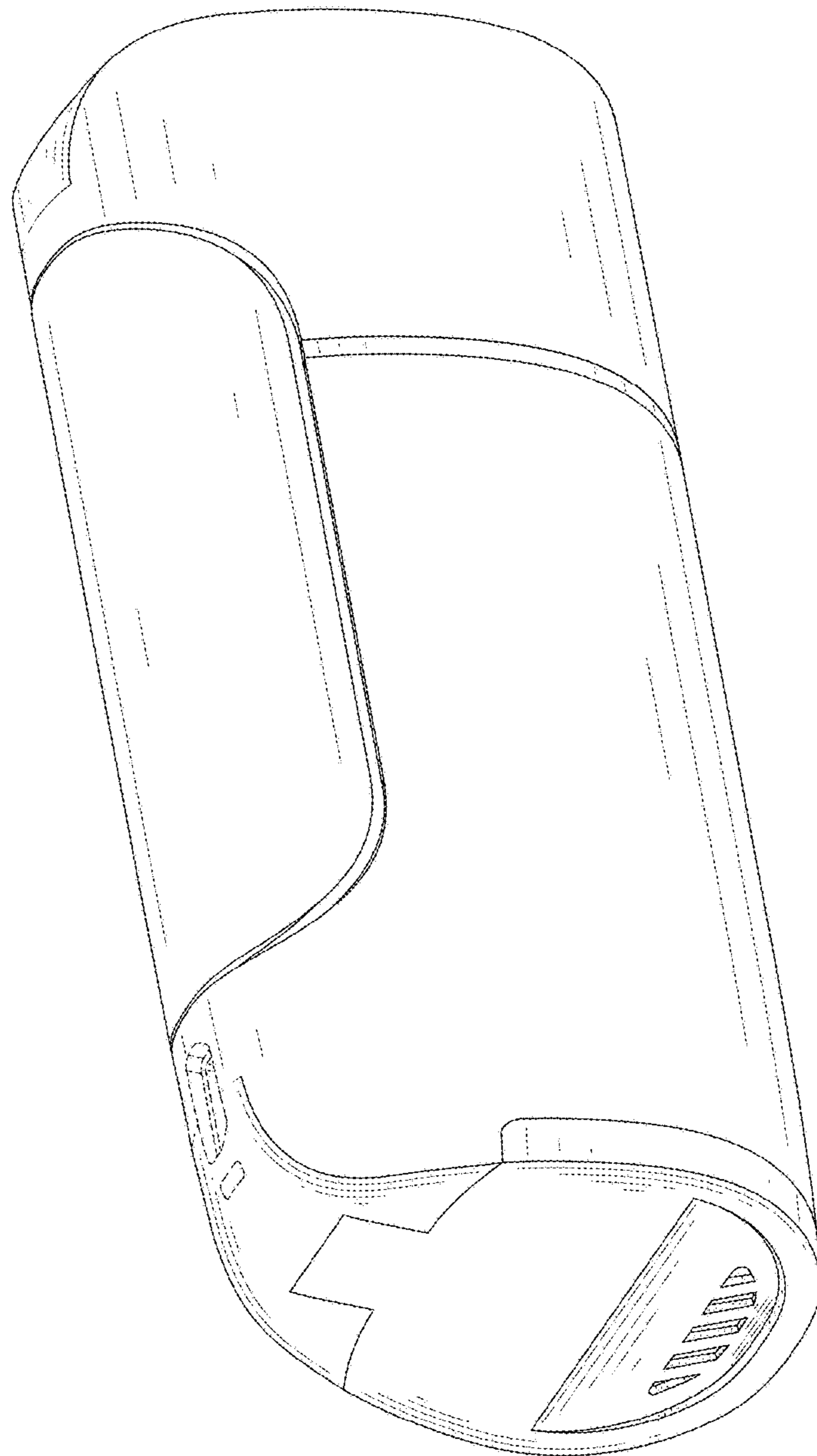


FIG. 8

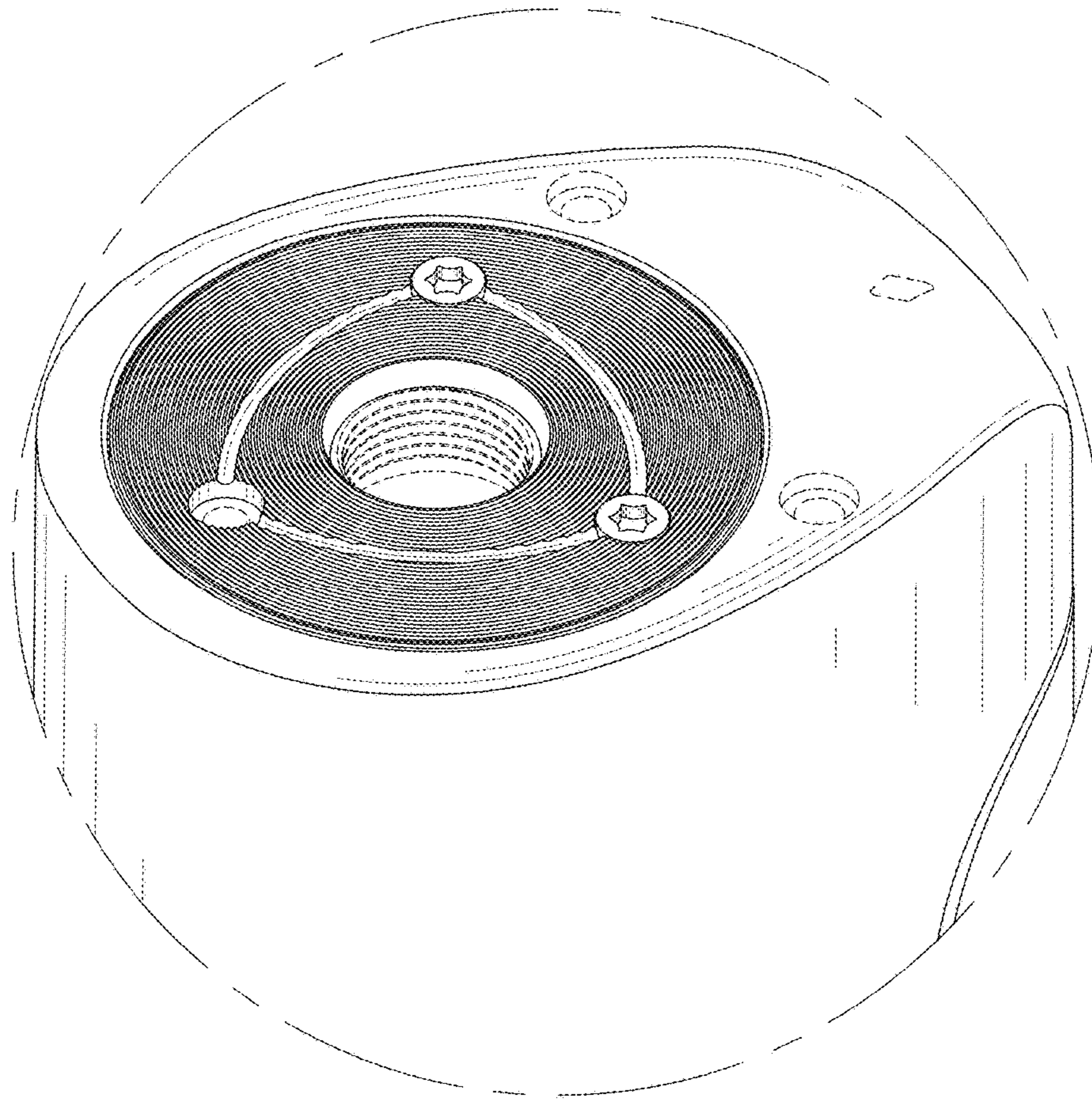


FIG. 9