



US00D861548S

(12) **United States Design Patent** (10) **Patent No.:** **US D861,548 S**
Takei et al. (45) **Date of Patent:** **** Oct. 1, 2019**

(54) **REAR END PORTION OF A MOTOR VEHICLE AND/OR TOY REPLICA THEREOF**

(71) Applicants: **Tatsuya Takei**, Toyota (JP); **Yahiko Kumai**, Toyota (JP); **Tomonori Matsumoto**, Irvine, CA (US)

(72) Inventors: **Tatsuya Takei**, Toyota (JP); **Yahiko Kumai**, Toyota (JP); **Tomonori Matsumoto**, Irvine, CA (US)

(73) Assignee: **TOYOTA JIDOSHA KABUSHIKI KAISHA** (JP)

(**) Term: **15 Years**

(21) Appl. No.: **29/642,188**

(22) Filed: **Mar. 28, 2018**

(51) **LOC (12) Cl.** **12-16**

(52) **U.S. Cl.**
USPC **D12/164**

(58) **Field of Classification Search**
USPC D12/86, 90-92, 164; D21/424, 433, 434, D21/533; 296/181.1-181.5, 183.1
CPC B62D 25/00; B62D 25/06; B62D 33/00; B62D 35/00

See application file for complete search history.

(56) **References Cited**

U.S. PATENT DOCUMENTS

D714,695 S	*	10/2014	Kim	D12/164
D725,006 S	*	3/2015	Takei	D12/164
D793,919 S	*	8/2017	Cartabiano	D12/164
D797,000 S	*	9/2017	Kumono	D12/92
D801,872 S	*	11/2017	Buck	D12/92
D804,997 S	*	12/2017	Hayashi	D12/92
D804,998 S	*	12/2017	Jelec	D12/92

OTHER PUBLICATIONS

Netcarshow, Toyota FT-1 Concept (2014), <https://www.netcarshow.com/toyota/2014-ft-1_concept/>, available as early as Mar. 29, 2016.

Netcarshow, Toyota GT 86 (2013), <https://www.netcarshow.com/toyota/2013-gt_86/>, available as early as Mar. 29, 2016.

Netcarshow, Alfa Romeo 4C (2014), <https://www.netcarshow.com/alfa_romeo/2014-4c/>, available as early as Mar. 29, 2016.

* cited by examiner

Primary Examiner — Melody N Brown

(74) *Attorney, Agent, or Firm* — Saidman DesignLaw Group, LLC

(57) **CLAIM**

The ornamental design for a rear end portion of a motor vehicle and/or toy replica thereof, as shown and described.

DESCRIPTION

FIG. 1 is a left, front perspective view of a rear end portion of a motor vehicle and/or toy replica thereof showing our new design;

FIG. 2 is a right, front perspective view thereof;

FIG. 3 is a left, rear perspective view thereof;

FIG. 4 is a right, rear perspective view thereof;

FIG. 5 is a front view thereof;

FIG. 6 is a rear view thereof;

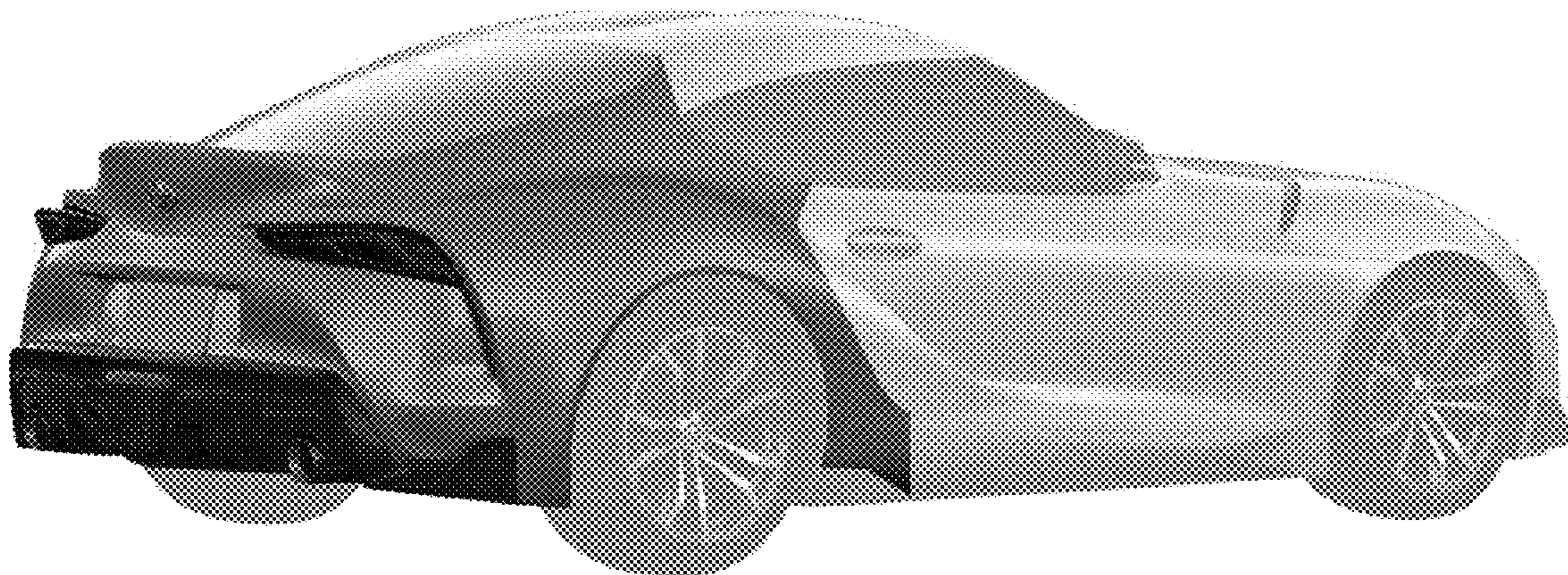
FIG. 7 is a left side view thereof;

FIG. 8 is a right side view thereof; and,

FIG. 9 is a top view thereof.

The claimed design is indicated by the relatively dark portions in the figures. The relatively light portions form no part of the claimed design.

1 Claim, 9 Drawing Sheets



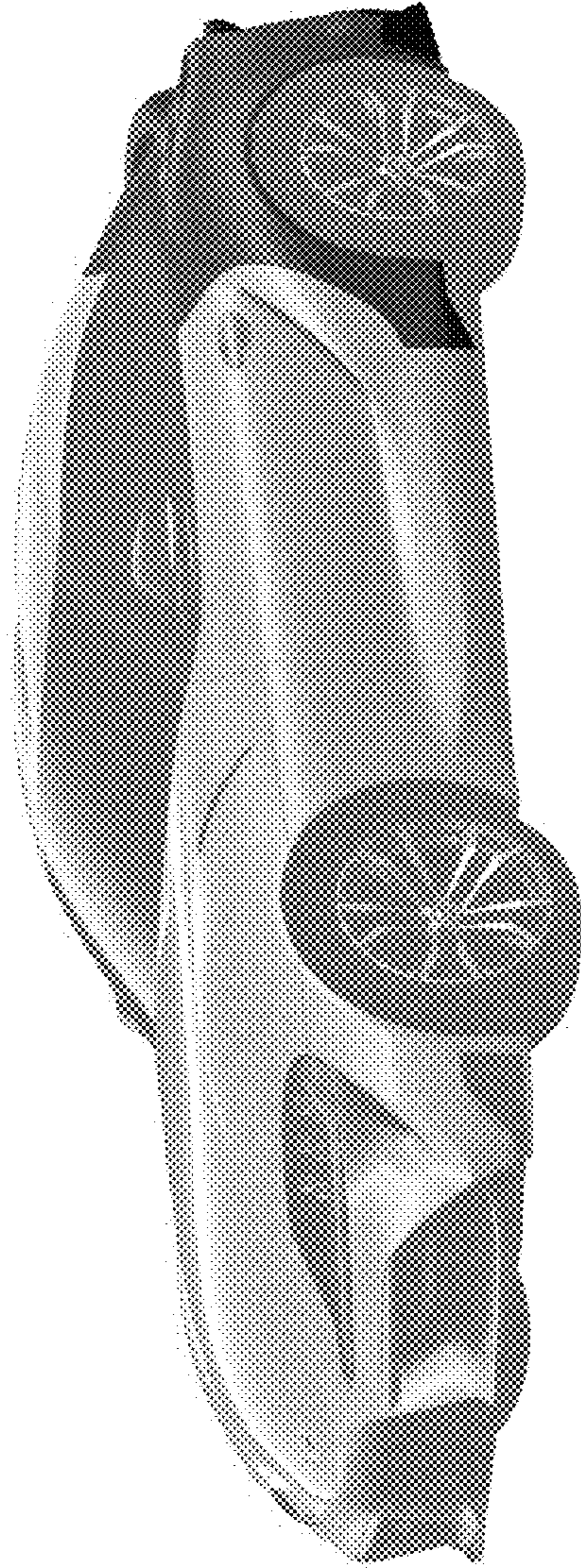


FIG. 1

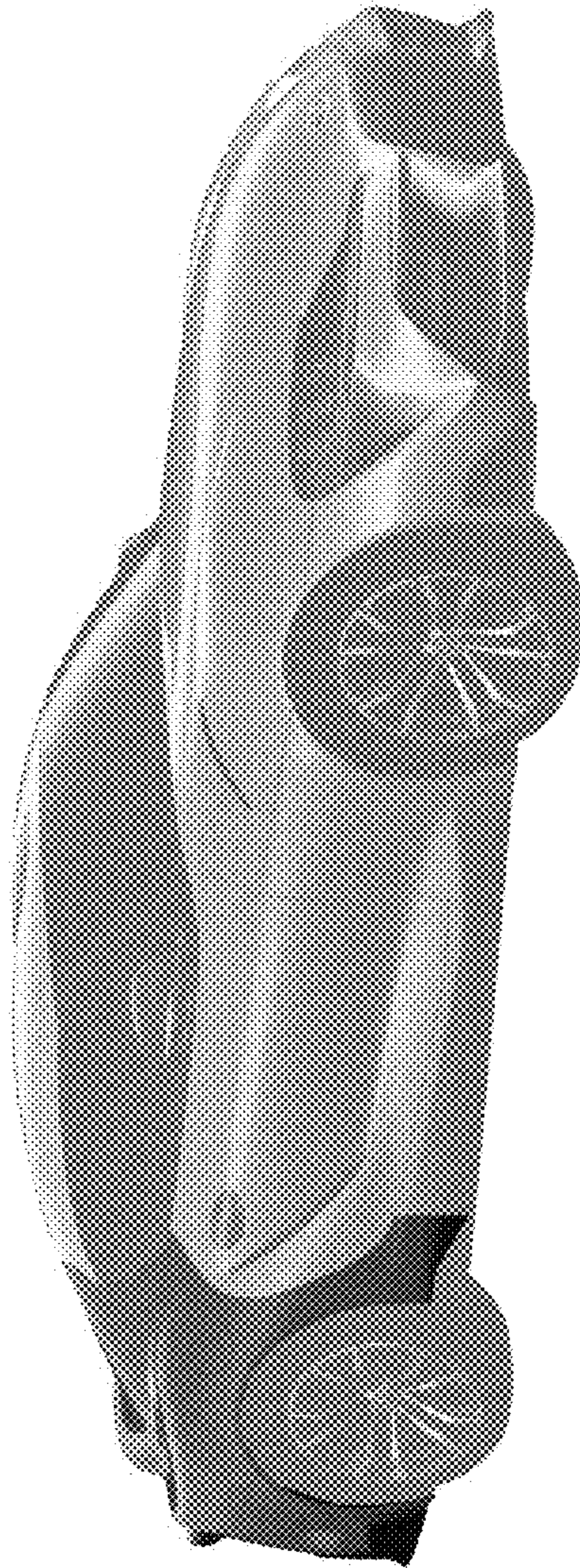


FIG. 2

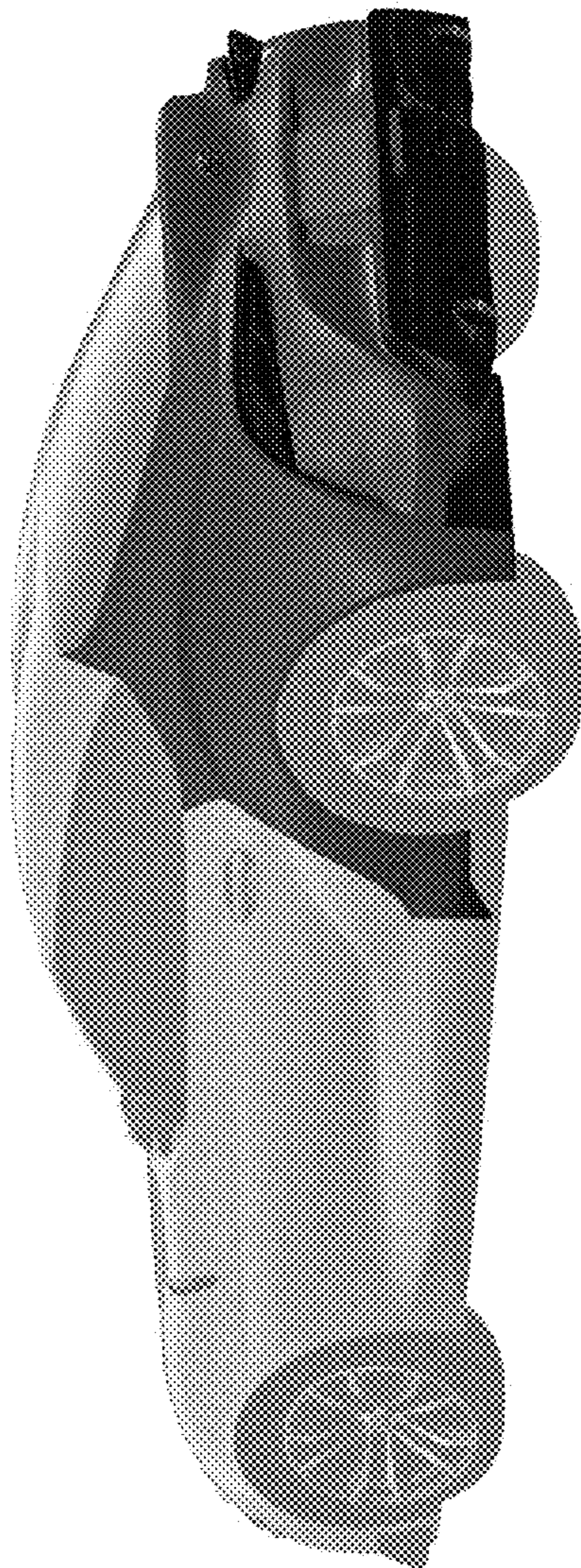


FIG. 3

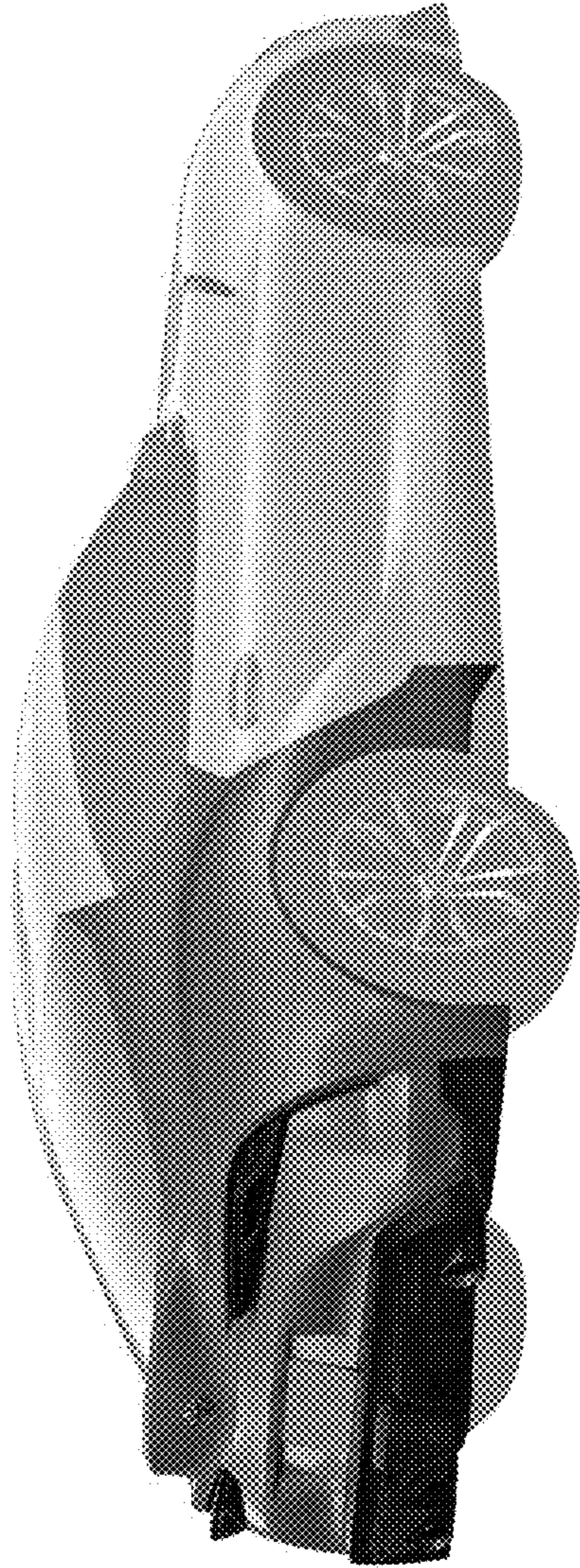


FIG. 4

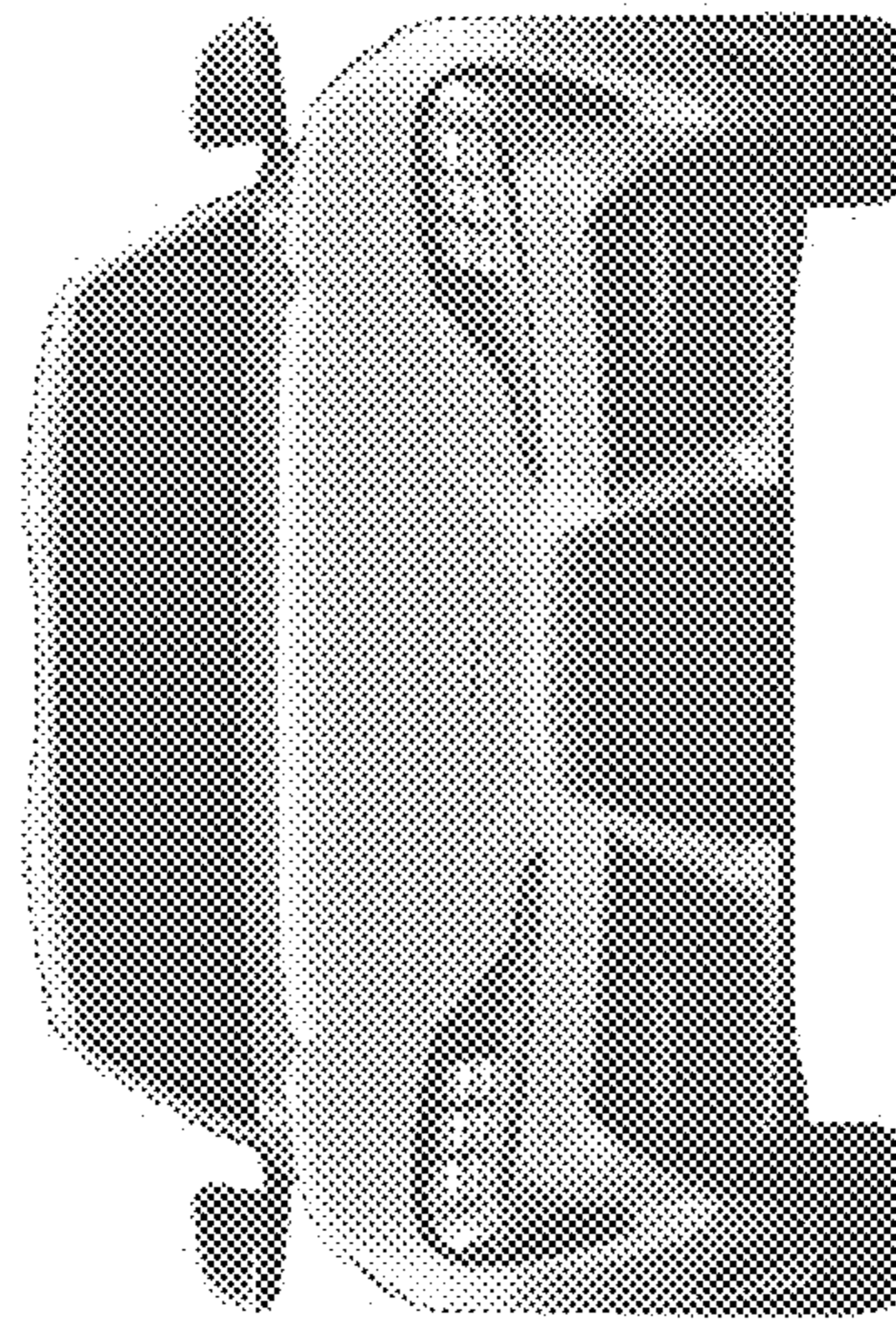


FIG. 5

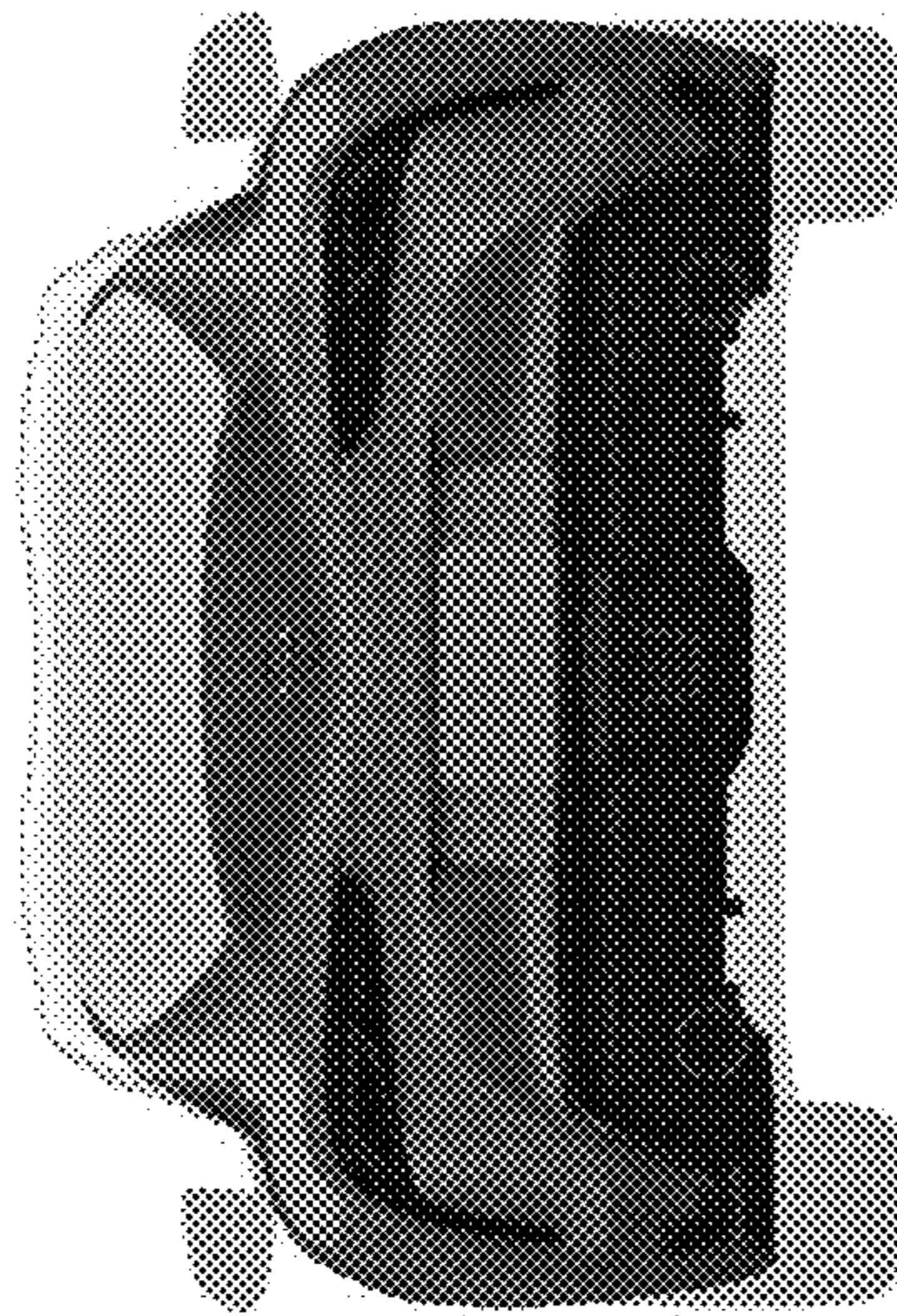


FIG. 6

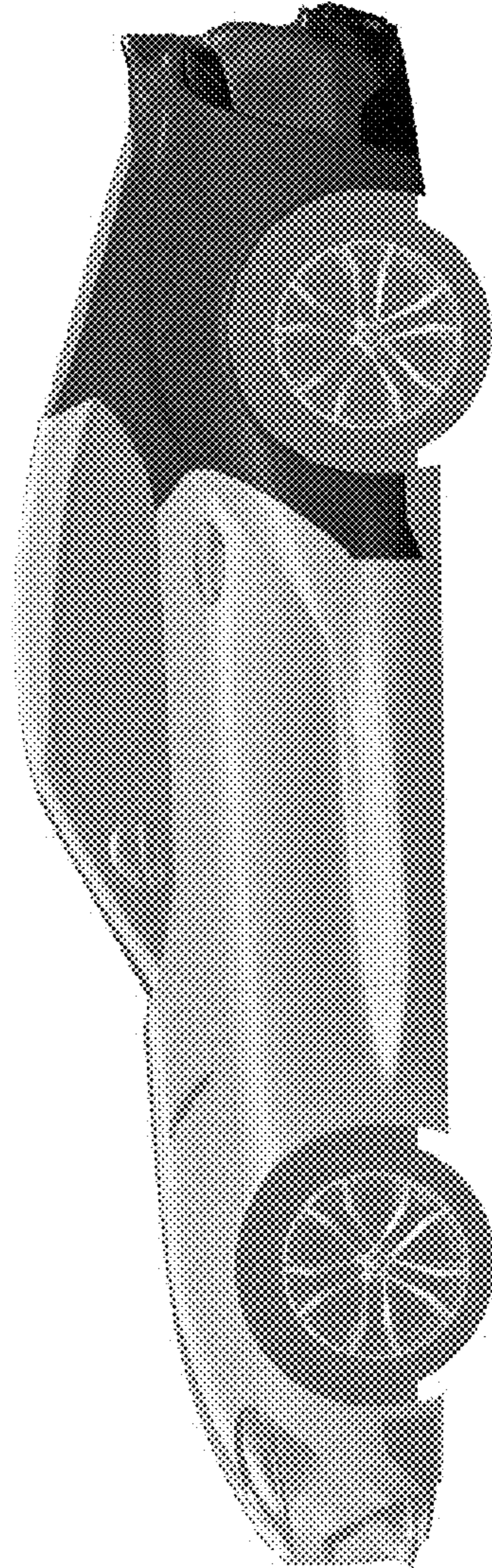


FIG. 7

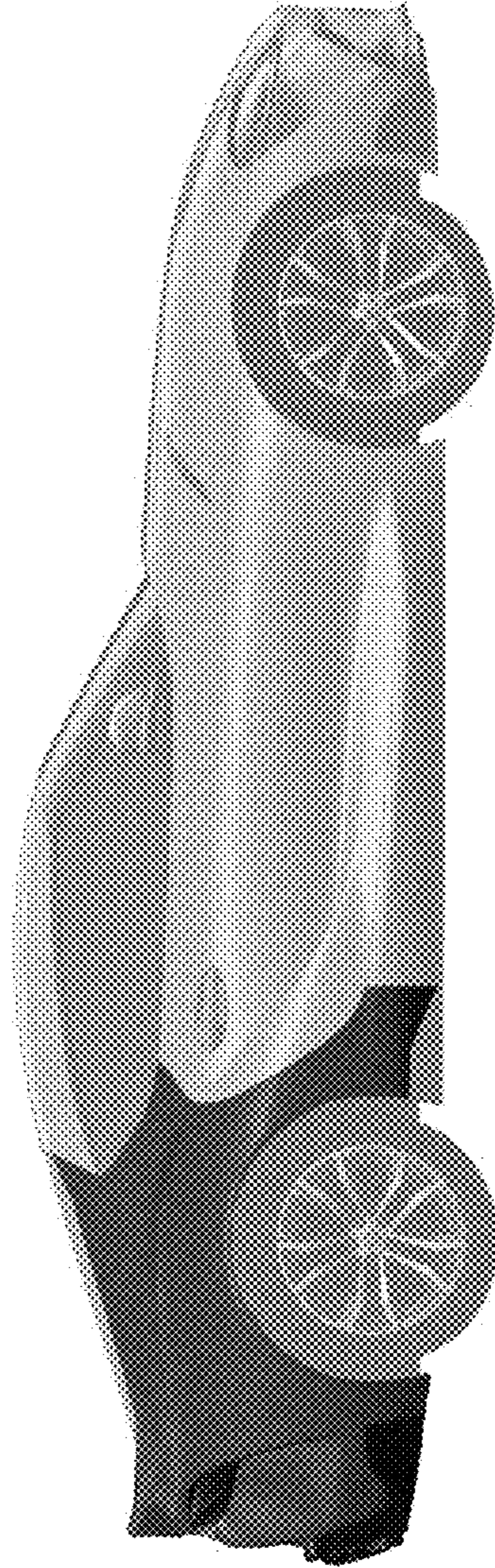


FIG. 8

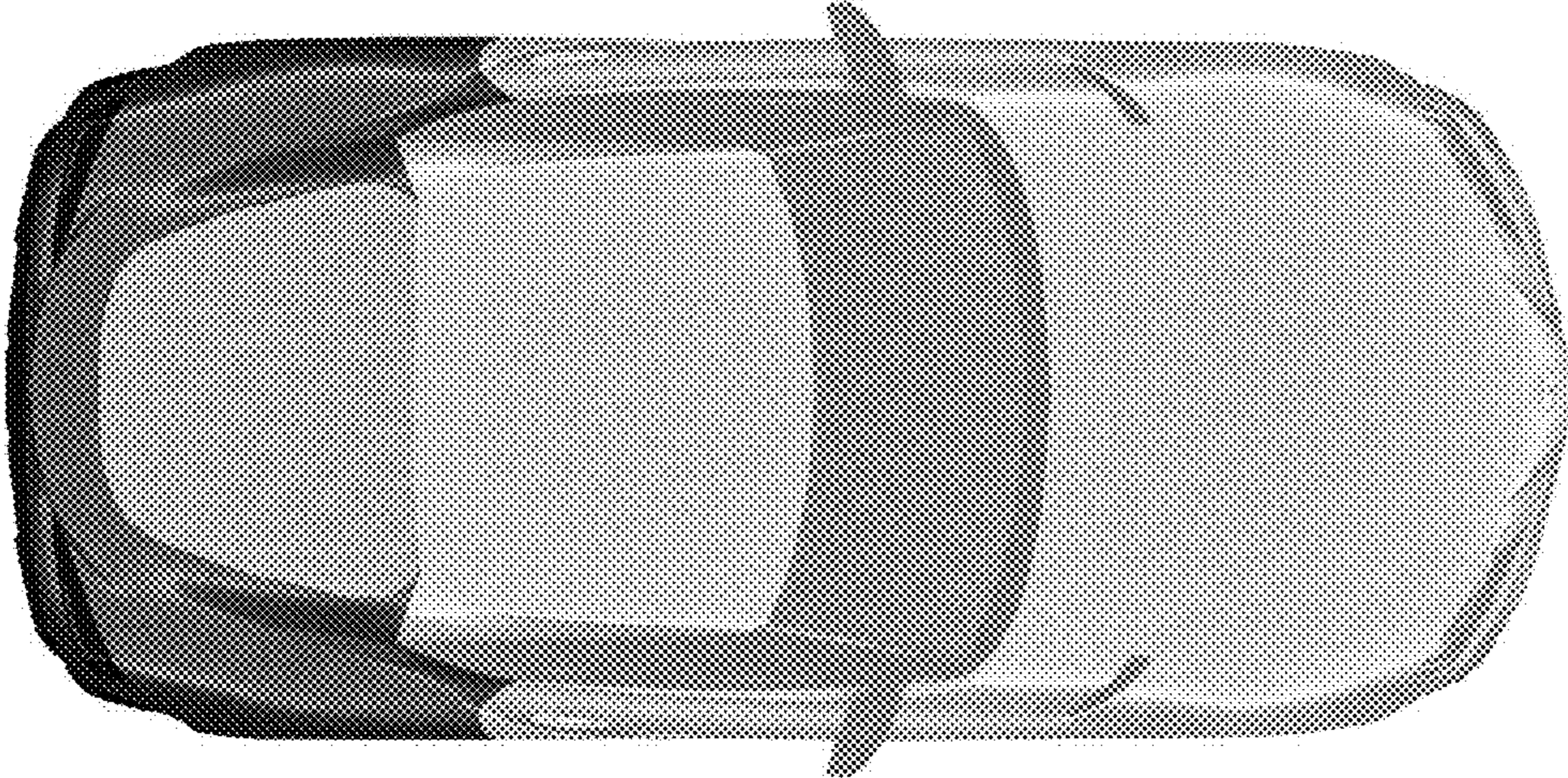


FIG. 9