



US00D861546S

(12) **United States Design Patent** (10) **Patent No.:** **US D861,546 S**  
**Dewitt et al.** (45) **Date of Patent:** **\*\* Oct. 1, 2019**

(54) **VEHICLE FRONT LOWER GRILLE**

(71) Applicant: **Ford Global Technologies, LLC,**  
Dearborn, MI (US)

(72) Inventors: **David Dewitt,** Docklands (AU); **Todd Willing,** East Melbourne (AU); **Max Wolff,** Birmingham, MI (US)

(73) Assignee: **Ford Global Technologies, LLC,**  
Dearborn, MI (US)

(\*\*) Term: **15 Years**

(21) Appl. No.: **29/635,010**

(22) Filed: **Jan. 26, 2018**

(51) **LOC (12) Cl.** ..... **12-16**

(52) **U.S. Cl.**  
USPC ..... **D12/163**

(58) **Field of Classification Search**  
USPC ..... D12/163, 164, 165, 166, 167, 168, 169,  
D12/170, 171, 172, 173, 181  
CPC ..... B60K 11/08; B62L 39/16; B60R 19/50;  
B62D 25/08  
See application file for complete search history.

(56) **References Cited**

**U.S. PATENT DOCUMENTS**

D307,124 S *	4/1990	Hayashi	.....	D12/163
D379,467 S *	5/1997	Martin	.....	D15/89
D593,460 S *	6/2009	Schiavone	.....	D12/163
D680,921 S *	4/2013	Jara	.....	D12/163
D692,804 S *	11/2013	Song	.....	D12/163
D698,704 S *	2/2014	Rupar	.....	D12/163
D701,804 S *	4/2014	Campbell	.....	D12/169
D754,571 S *	4/2016	Boniface	.....	D12/163
D769,778 S *	10/2016	Messale	.....	D12/163
D780,644 S *	3/2017	Kim	.....	D12/163
D786,743 S *	5/2017	Smith	.....	D12/163
D787,988 S *	5/2017	Lee	.....	D12/163
D788,656 S *	6/2017	Svensson	.....	D12/163

D791,653 S *	7/2017	Svensson	.....	D12/163
D805,968 S *	12/2017	Piscitelli	.....	D12/163
D806,616 S *	1/2018	Granlund	.....	D12/163
D813,732 S *	3/2018	Whitla	.....	D12/163
D815,994 S *	4/2018	Nakamura	.....	D12/163
D823,179 S *	7/2018	Platto	.....	D12/163
D824,812 S *	8/2018	Loeb	.....	D12/163
D825,403 S *	8/2018	Whitla	.....	D12/163
D827,510 S *	9/2018	Kim	.....	D12/163
D827,511 S *	9/2018	Woodhouse	.....	D12/163
D830,918 S *	10/2018	Kozub	.....	D12/163
D831,545 S *	10/2018	Smock	.....	D12/163

\* cited by examiner

*Primary Examiner* — Susan Bennett Hattan

*Assistant Examiner* — Suzanne E Tisdell

(74) *Attorney, Agent, or Firm* — LeClairRyan

(57) **CLAIM**

The ornamental design for a vehicle front lower grille, as shown and described.

**DESCRIPTION**

FIG. 1 is a front elevational view of a vehicle front lower grille, showing our new design;  
FIG. 2 is a left side elevational view thereof;  
FIG. 3 is a right side elevational view thereof;  
FIG. 4 is a top plan view thereof;  
FIG. 5 is a bottom plan view thereof;  
FIG. 6 is a top, front, and left side perspective view thereof;  
and,  
FIG. 7 is a bottom, front, and left side perspective view thereof.  
The broken lines depict the boundary of the claimed design and form no part of the claimed design. Portions of the vehicle shown in half-tone shading depict environmental subject matter and likewise form no part of the claimed design.

**1 Claim, 7 Drawing Sheets**



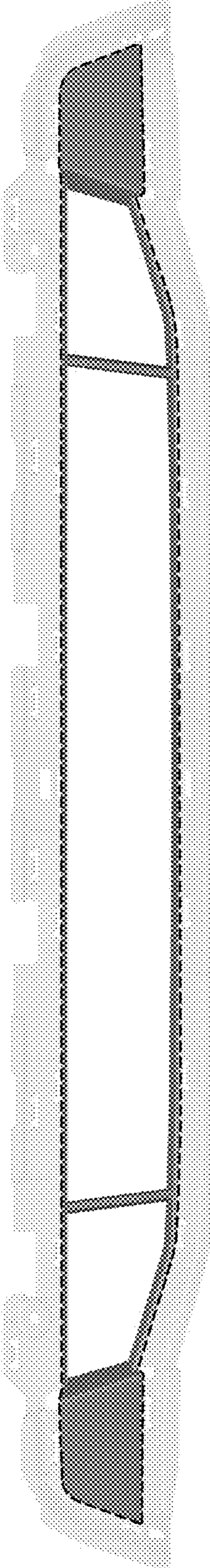
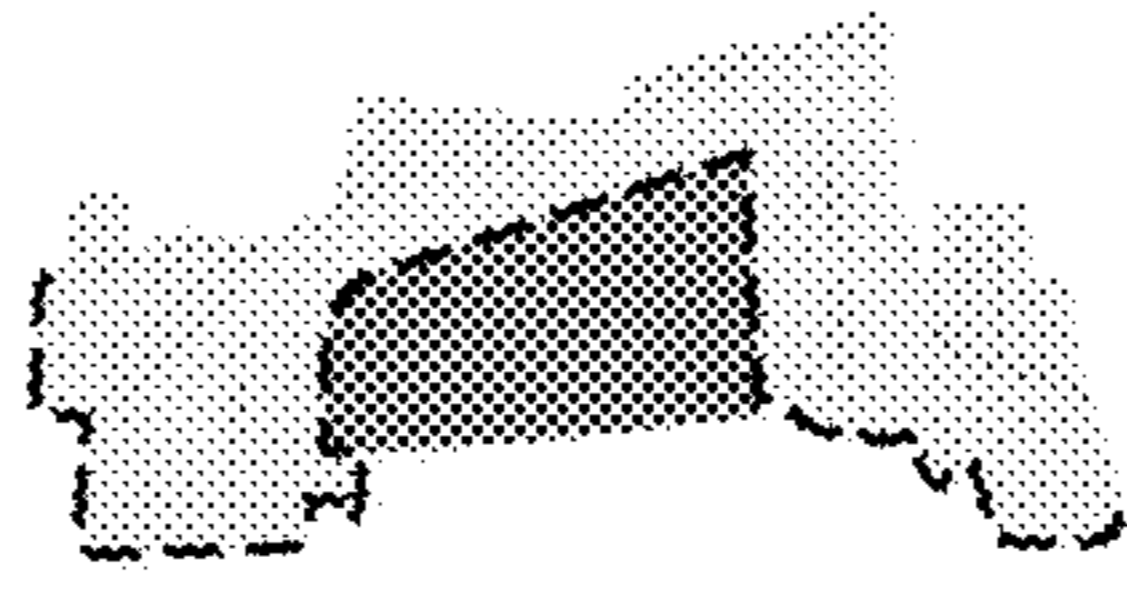


Fig. 1



*Fig. 2*

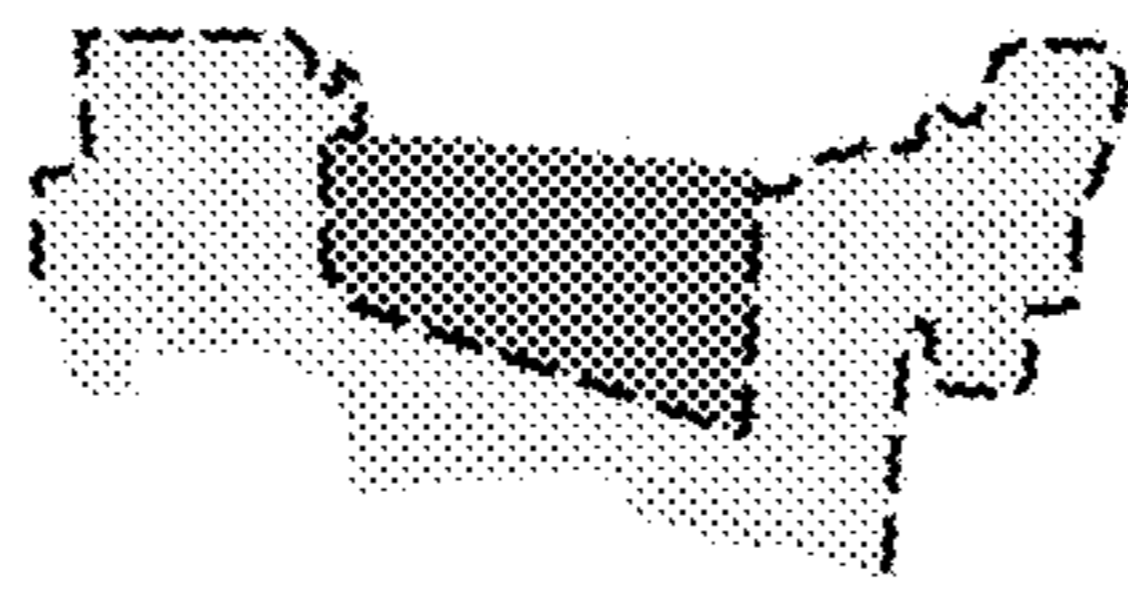


Fig. 3



Fig. 4

Fig. 5



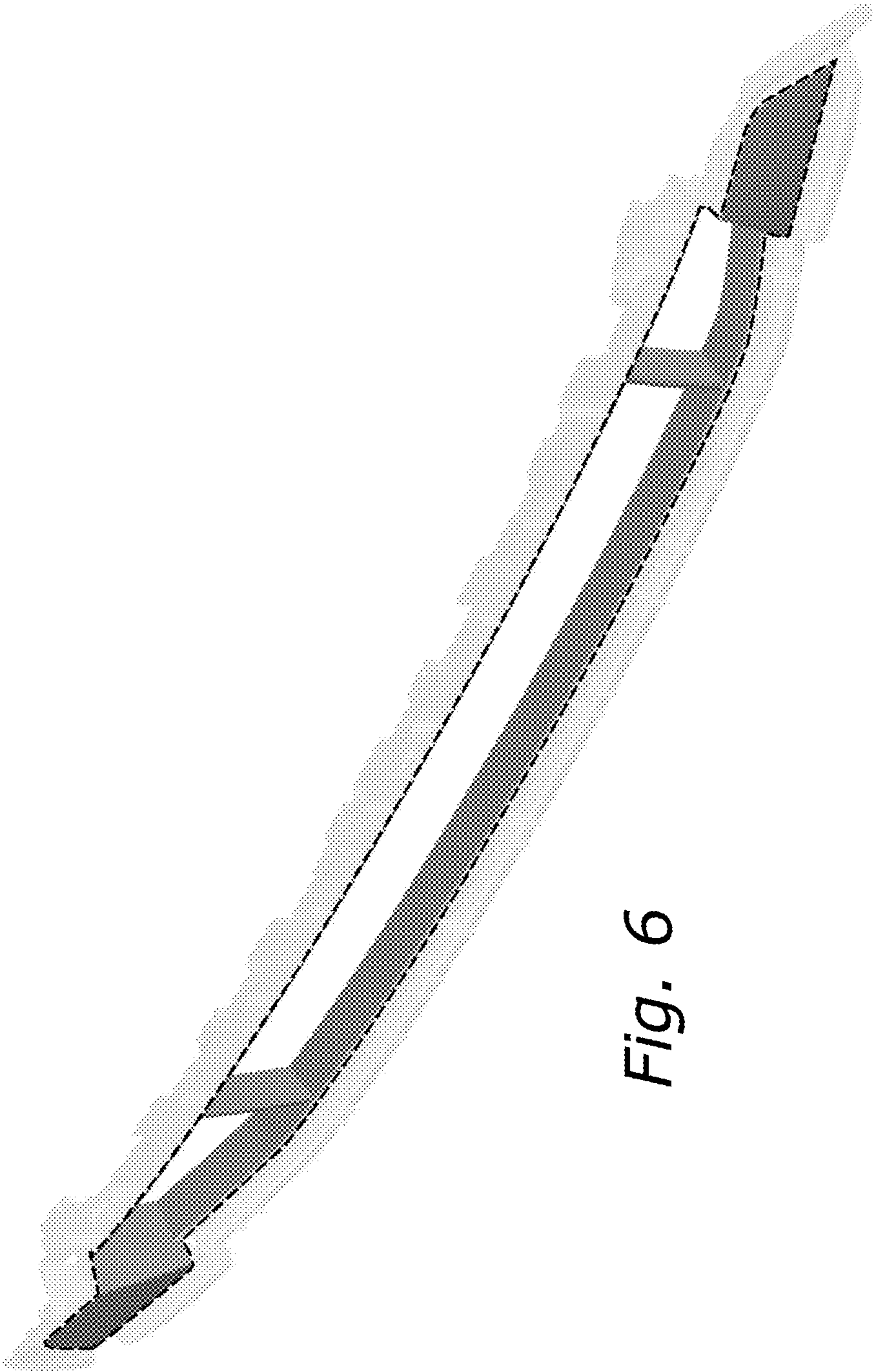


Fig. 6

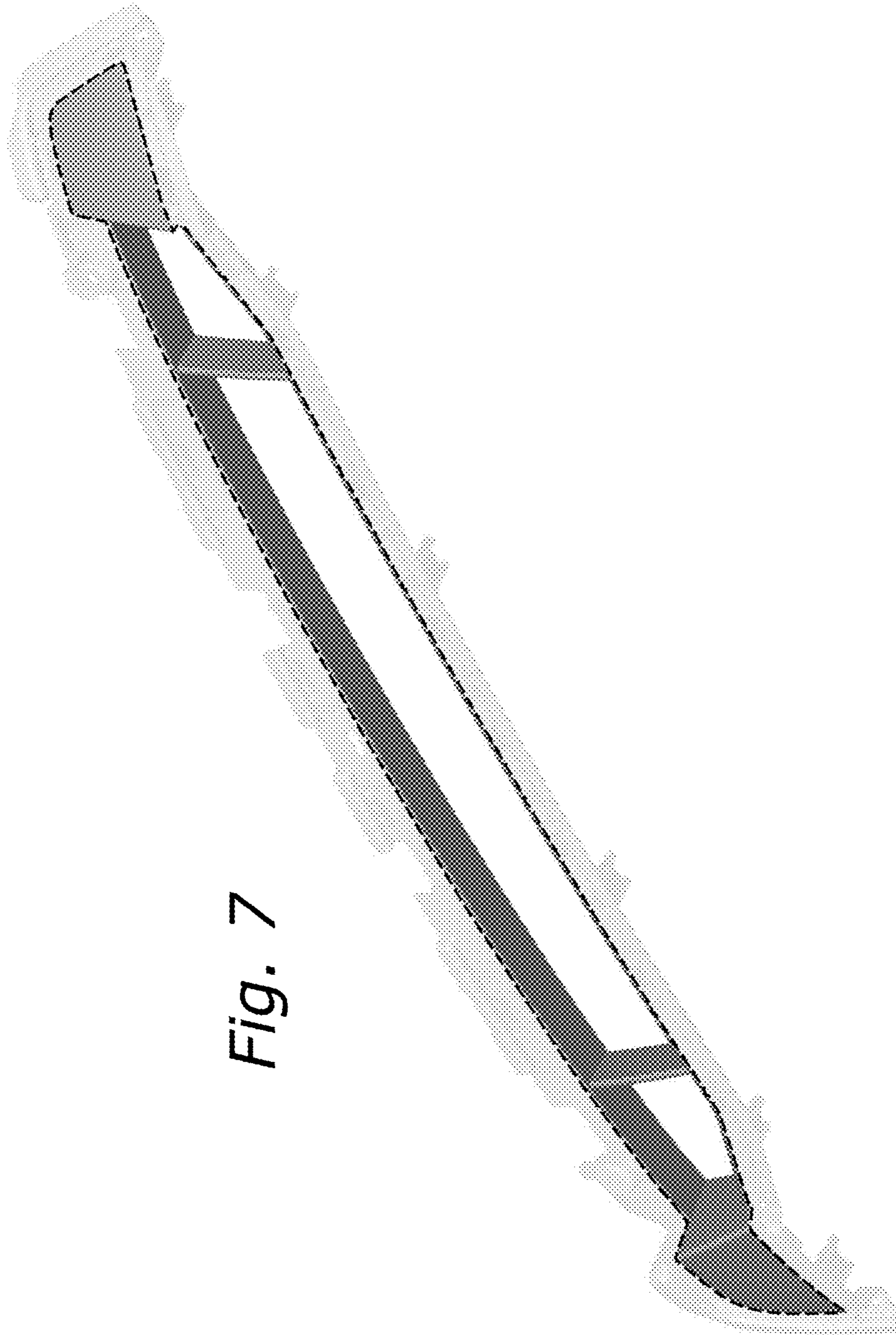


Fig. 7