



US00D861545S

(12) **United States Design Patent** (10) **Patent No.:** **US D861,545 S**
Baker et al. (45) **Date of Patent:** **** Oct. 1, 2019**

(54) **TIE ROD END**

(71) Applicant: **Stemco Products, Inc.**, Charlotte, NC (US)

(72) Inventors: **James Allen Baker**, Vassar, MI (US);
Paul Dolan, Clio, MI (US)

(73) Assignee: **STEMCO PRODUCTS, INC.**,
Charlotte, NC (US)

(**) Term: **15 Years**

(21) Appl. No.: **29/623,718**

(22) Filed: **Oct. 26, 2017**

(51) **LOC (12) Cl.** **12-16**

(52) **U.S. Cl.**
USPC **D12/160**

(58) **Field of Classification Search**
USPC D8/21, 22, 24, 25, 29, 382-400;
D12/159, 160
CPC B60G 11/22; B60G 2204/41; B60G
2204/125; B60G 2202/14; B60G
2202/142; B60G 2202/143; B60G
2206/73; B60G

(Continued)

(56) **References Cited**

U.S. PATENT DOCUMENTS

D199,149 S * 9/1964 Greenlee D8/25
3,533,315 A * 10/1970 Maeda B25B 13/465
81/60

(Continued)

FOREIGN PATENT DOCUMENTS

CN 302340627 * 3/2013

OTHER PUBLICATIONS

Qwiktie Tie Rod Assembly YouTube <https://www.youtube.com/watch?v=ZFV0pc704Fw> Jun. 27, 2017 (Year: 2017).*

Primary Examiner — Leanne Was-Englehart

(74) *Attorney, Agent, or Firm* — Perkins Coie LLP

(57) **CLAIM**

The ornamental design for a tie rod end, as shown.

DESCRIPTION

FIG. 1 is a perspective view of an embodiment of a tie rod end.

FIG. 2 is a front plan view thereof.

FIG. 3 is a back plan view thereof.

FIG. 4 is a right view thereof.

FIG. 5 is a left view thereof.

FIG. 6 is a top view thereof.

FIG. 7 is a bottom view thereof.

FIG. 8 is a perspective view of an embodiment of a tie rod end.

FIG. 9 is a front plan view thereof.

FIG. 10 is a back plan view thereof.

FIG. 11 is a right view thereof.

FIG. 12 is a left view thereof.

FIG. 13 is a top view thereof.

FIG. 14 is a bottom view thereof.

FIG. 15 is a perspective view of an embodiment of a tie rod end.

FIG. 16 is a front plan view thereof.

FIG. 17 is a back plan view thereof.

FIG. 18 is a right view thereof.

FIG. 19 is a left view thereof.

FIG. 20 is a top view thereof.

FIG. 21 is a bottom view thereof.

FIG. 22 is a perspective view of an embodiment of a tie rod end.

FIG. 23 is a front plan view thereof.

FIG. 24 is a back plan view thereof.

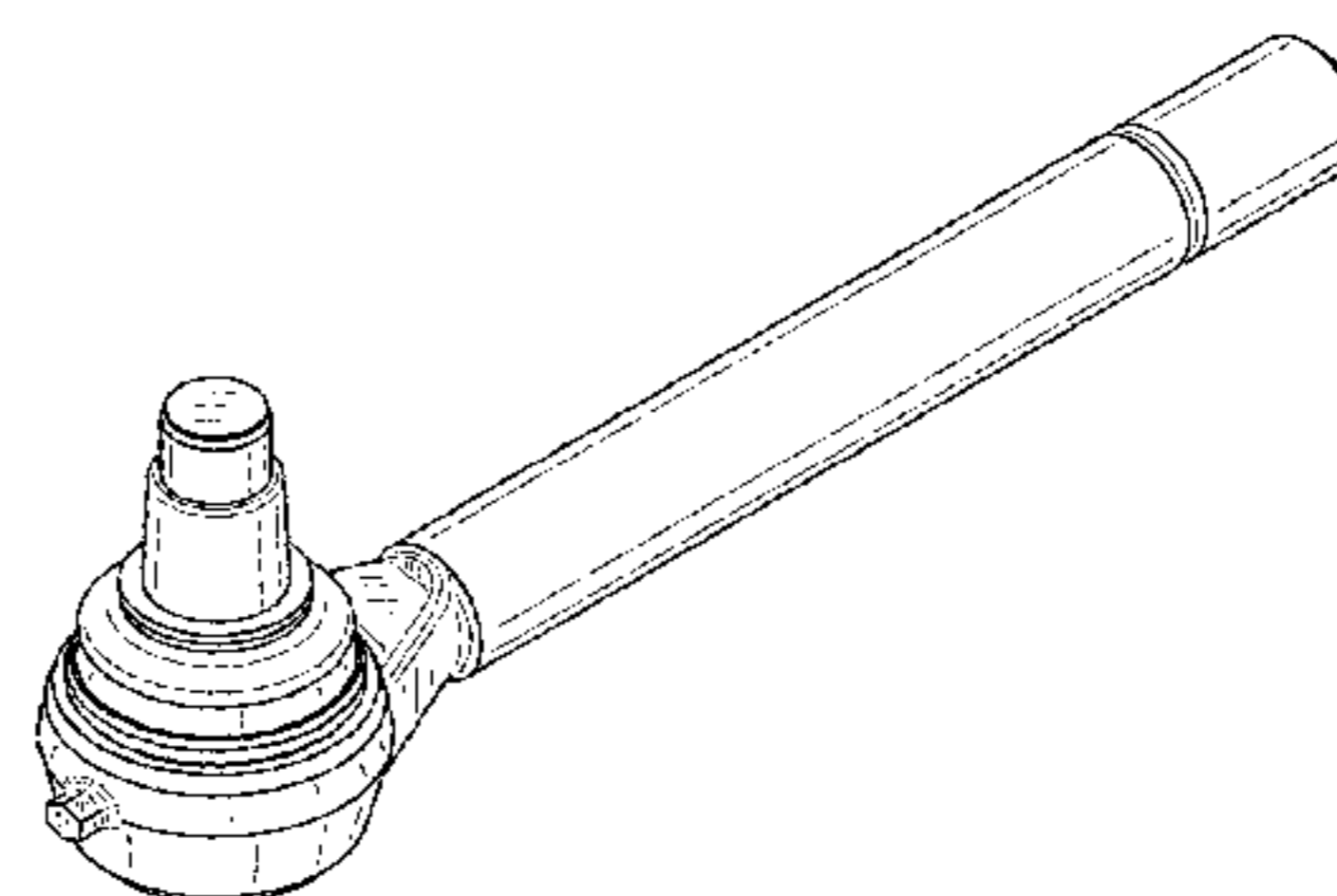
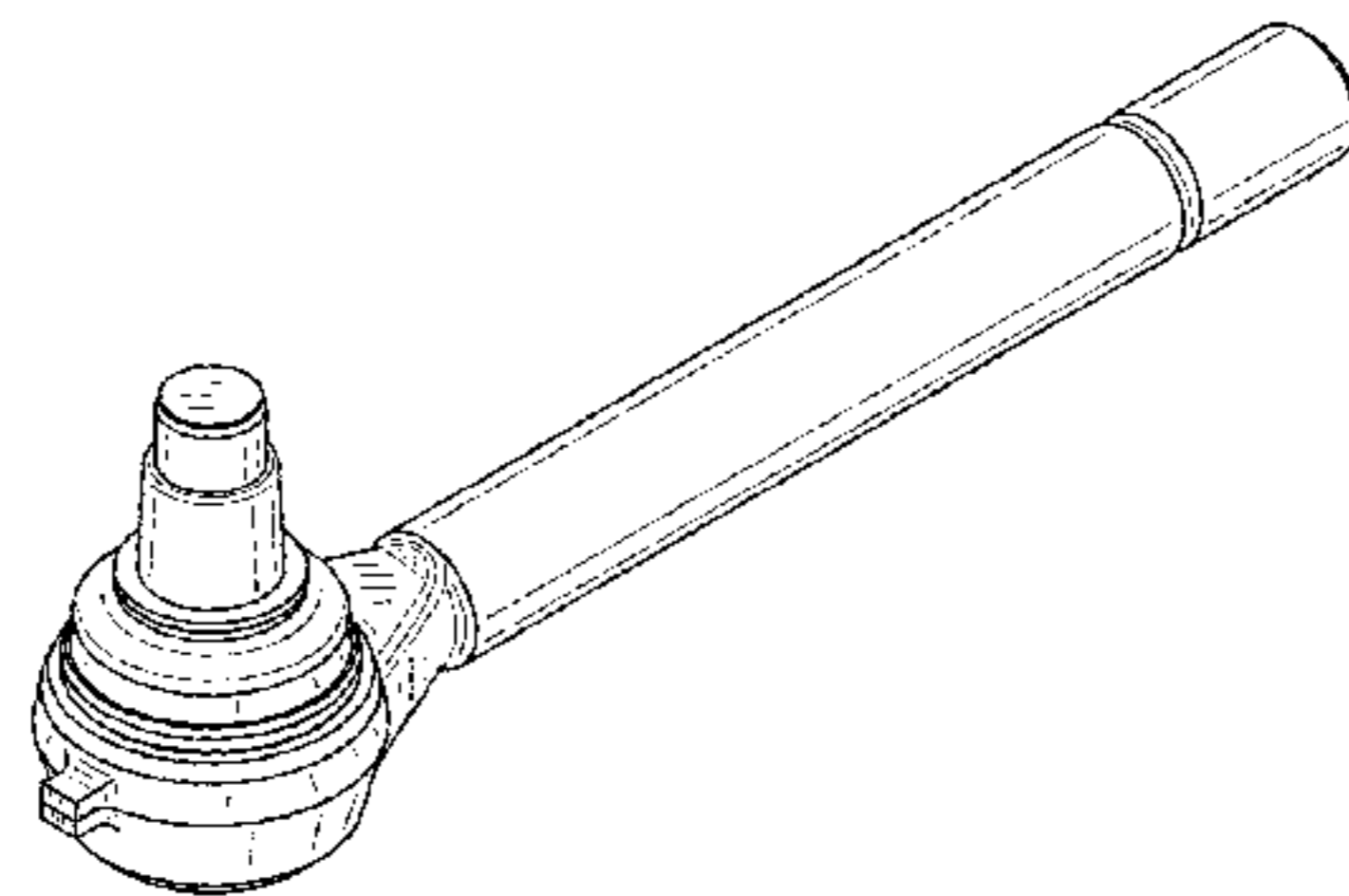
FIG. 25 is a right view thereof.

FIG. 26 is a left view thereof.

FIG. 27 is a top view thereof; and,

FIG. 28 is a bottom view thereof.

1 Claim, 20 Drawing Sheets



(58) **Field of Classification Search**

CPC 21/0551; B62D 1/046; B62D 1/185; B62D
 1/187; B62D 1/195; E21D 21/0033;
 E21D 21/008; E21D 21/004; E21D
 21/0006; E21D 21/0056; E21D 21/0073;
 E21D 20/00; F16D 1/12; F16C 11/06;
 F16C 11/0604; F16C 11/068; F16C
 11/0695

See application file for complete search history.

(56) **References Cited**

U.S. PATENT DOCUMENTS

D260,353 S * 8/1981 Redman D8/25
 4,602,534 A * 7/1986 Moeteli B25B 13/465
 279/79
 D296,514 S * 7/1988 Bygren D8/25
 D340,628 S * 10/1993 Chow D8/25
 D359,429 S * 6/1995 Williamson D8/25
 D476,867 S * 7/2003 Walker D8/25
 D525,094 S * 7/2006 Tuanmu D8/25

D566,630 S * 4/2008 Ortiz D12/159
 D605,008 S * 12/2009 Robinson D8/25
 D632,533 S * 2/2011 Cappuccio D8/25
 D670,984 S * 11/2012 Albertson D8/25
 D673,827 S * 1/2013 Cappuccio D8/25
 D766,142 S * 9/2016 Renshaw D12/159
 D773,265 S * 12/2016 Chen D8/25
 D778,698 S * 2/2017 Huang D8/25
 D820,056 S * 6/2018 Zhang D8/25
 D821,167 S * 6/2018 James D8/25
 D821,931 S * 7/2018 Winter D12/160
 D824,837 S * 8/2018 Winter D12/400
 D826,134 S * 8/2018 Winter D12/400
 D839,795 S * 2/2019 Chirrey D12/160
 2003/0059250 A1 * 3/2003 Moses F16C 11/068
 403/135
 2006/0012095 A1 * 1/2006 Bjorkgard B60G 7/001
 269/40
 2013/0199332 A1 * 8/2013 Powell F16C 11/083
 74/579 R
 2017/0225530 A1 * 8/2017 Powell F16F 1/38
 2018/0258983 A1 * 9/2018 Reddehase F16C 11/0628

* cited by examiner

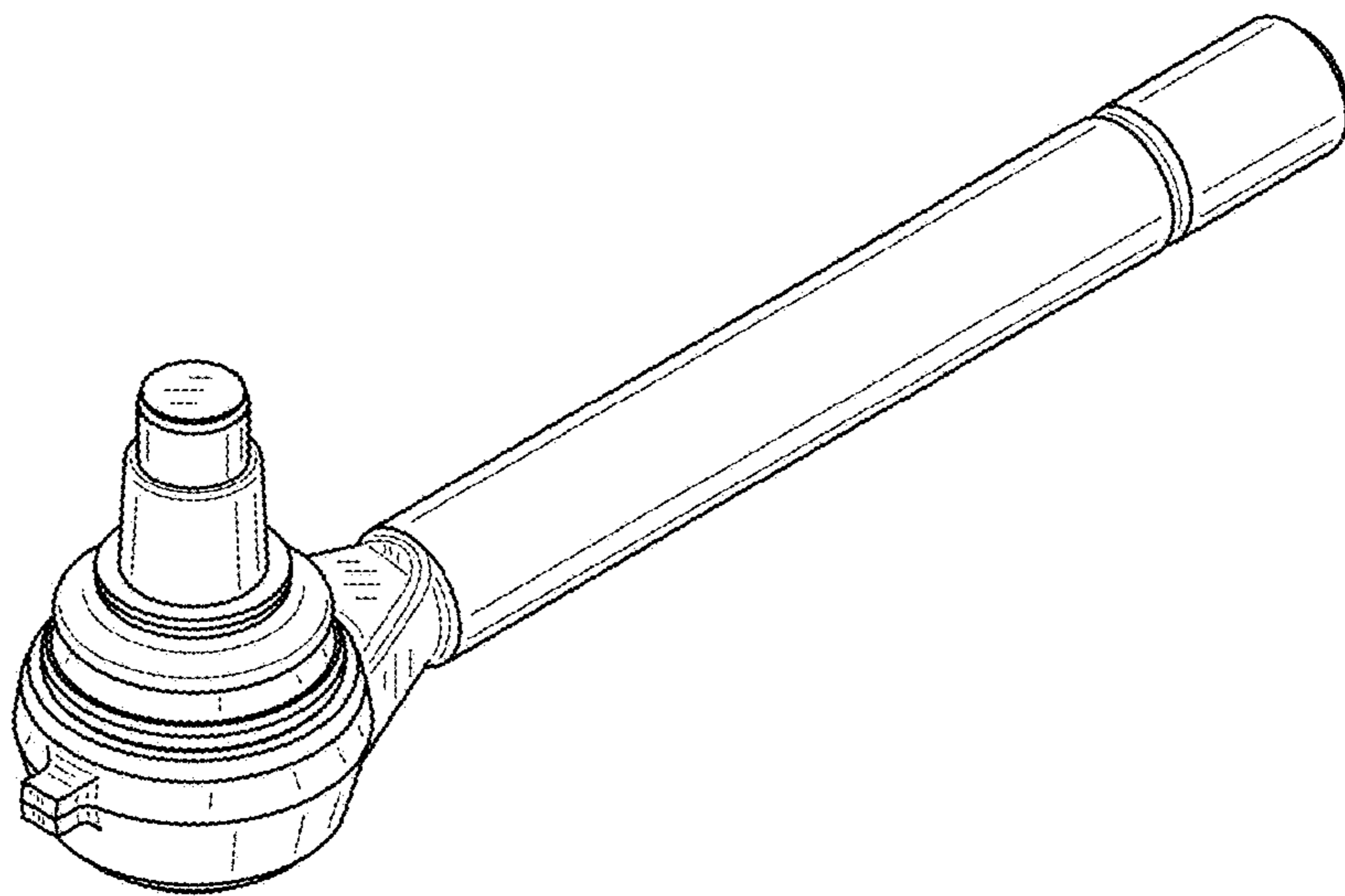


FIG.1

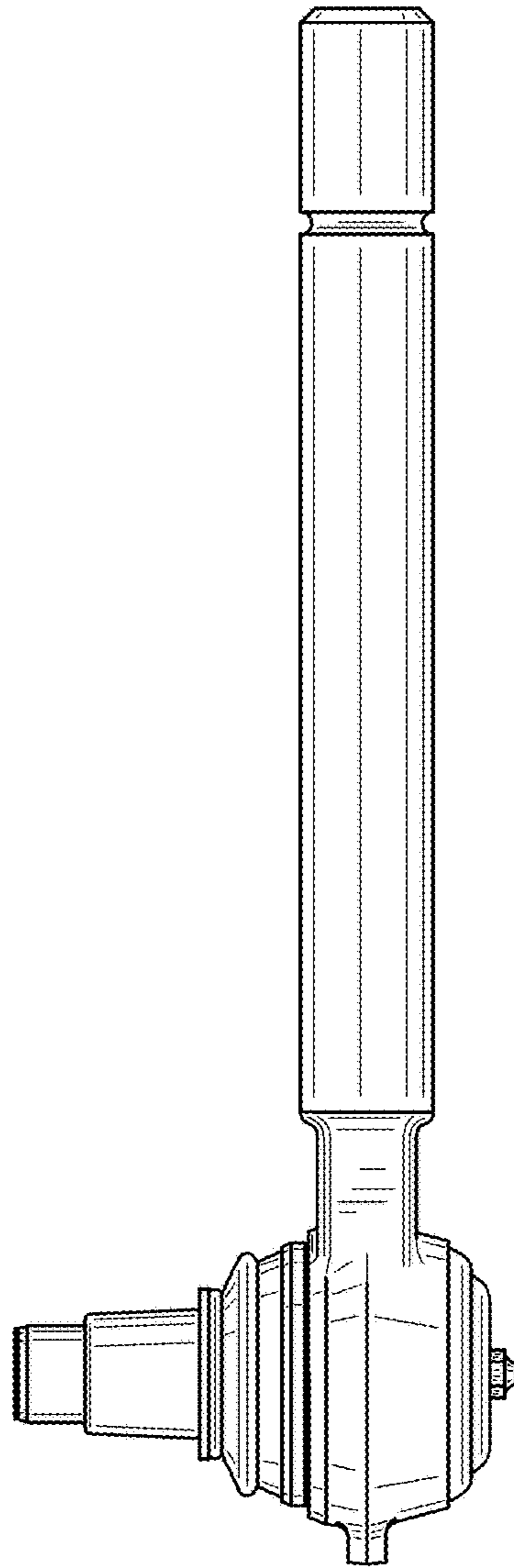


FIG.2

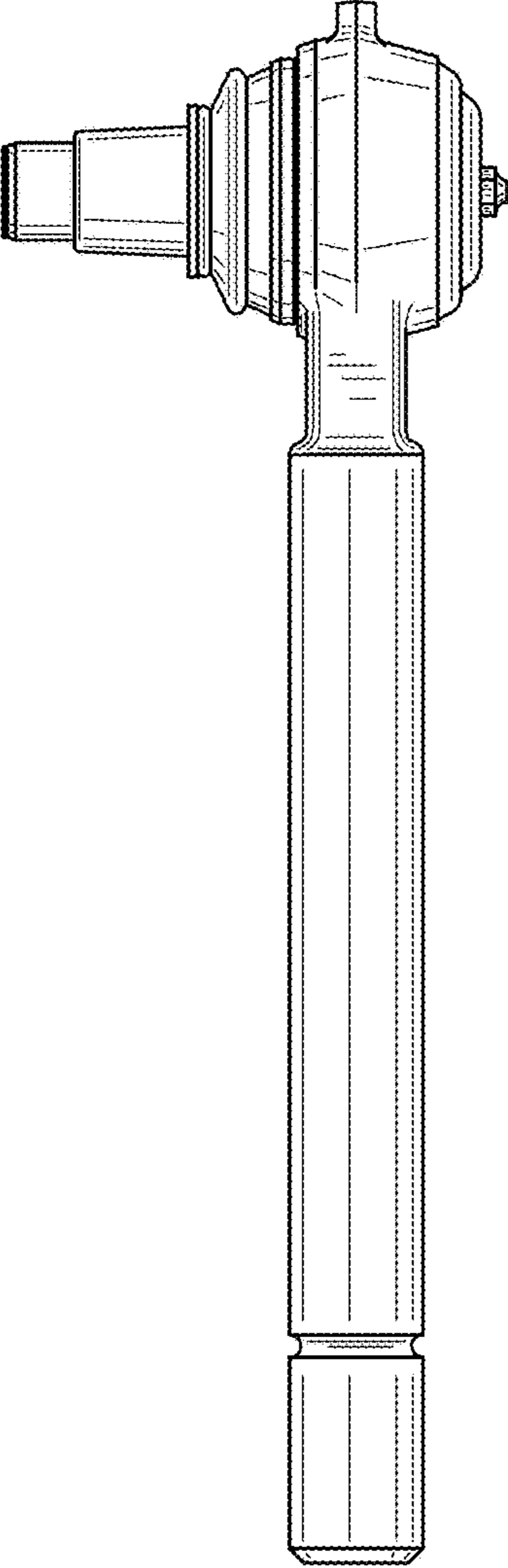


FIG.3

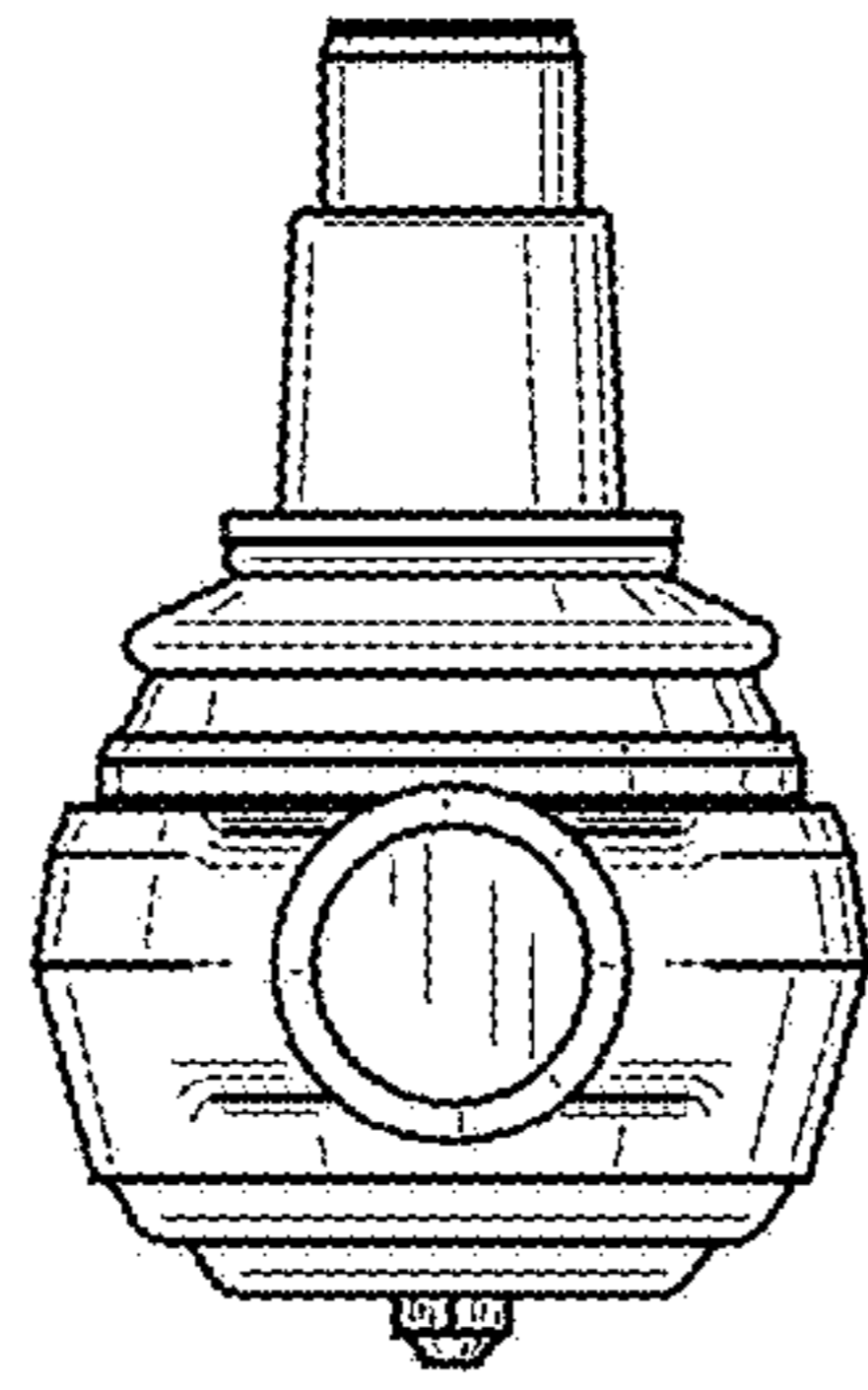


FIG.4

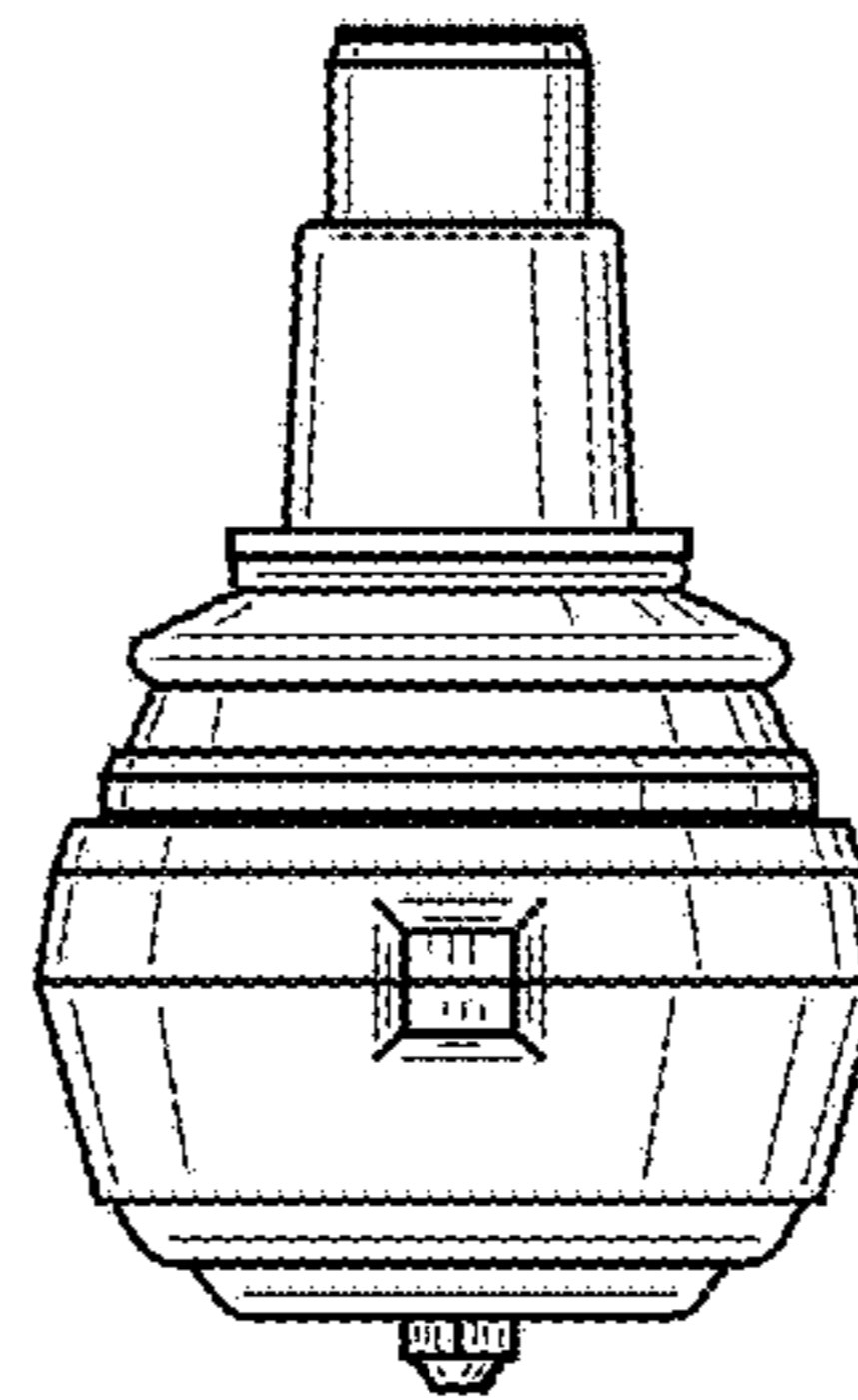


FIG.5

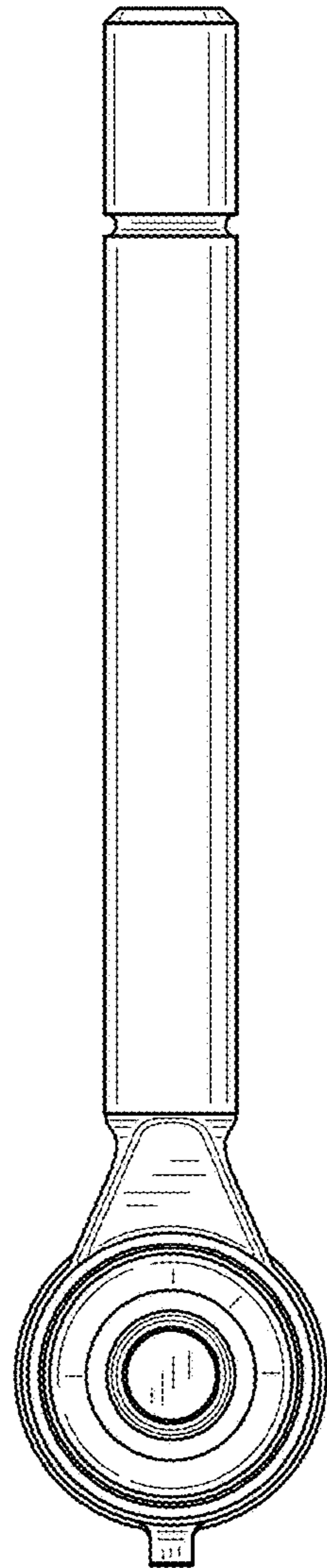


FIG. 6

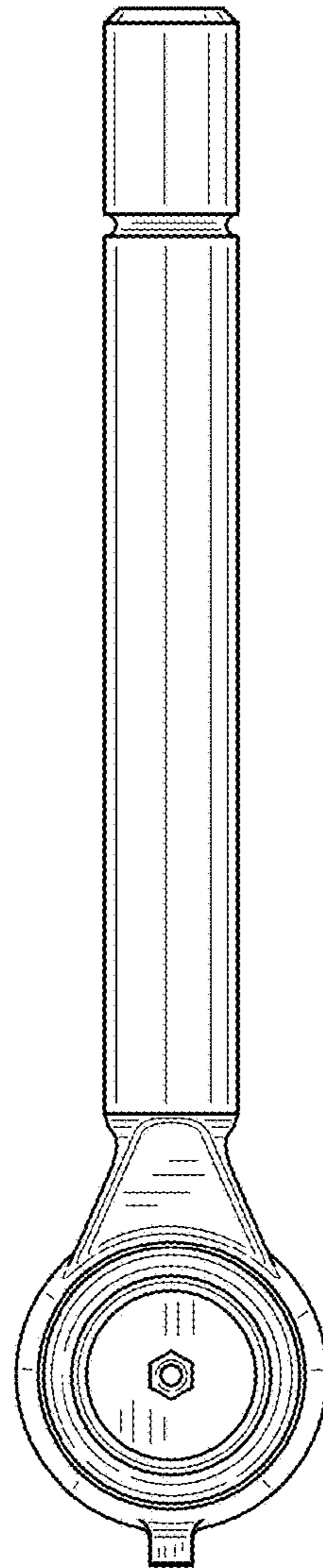


FIG. 7

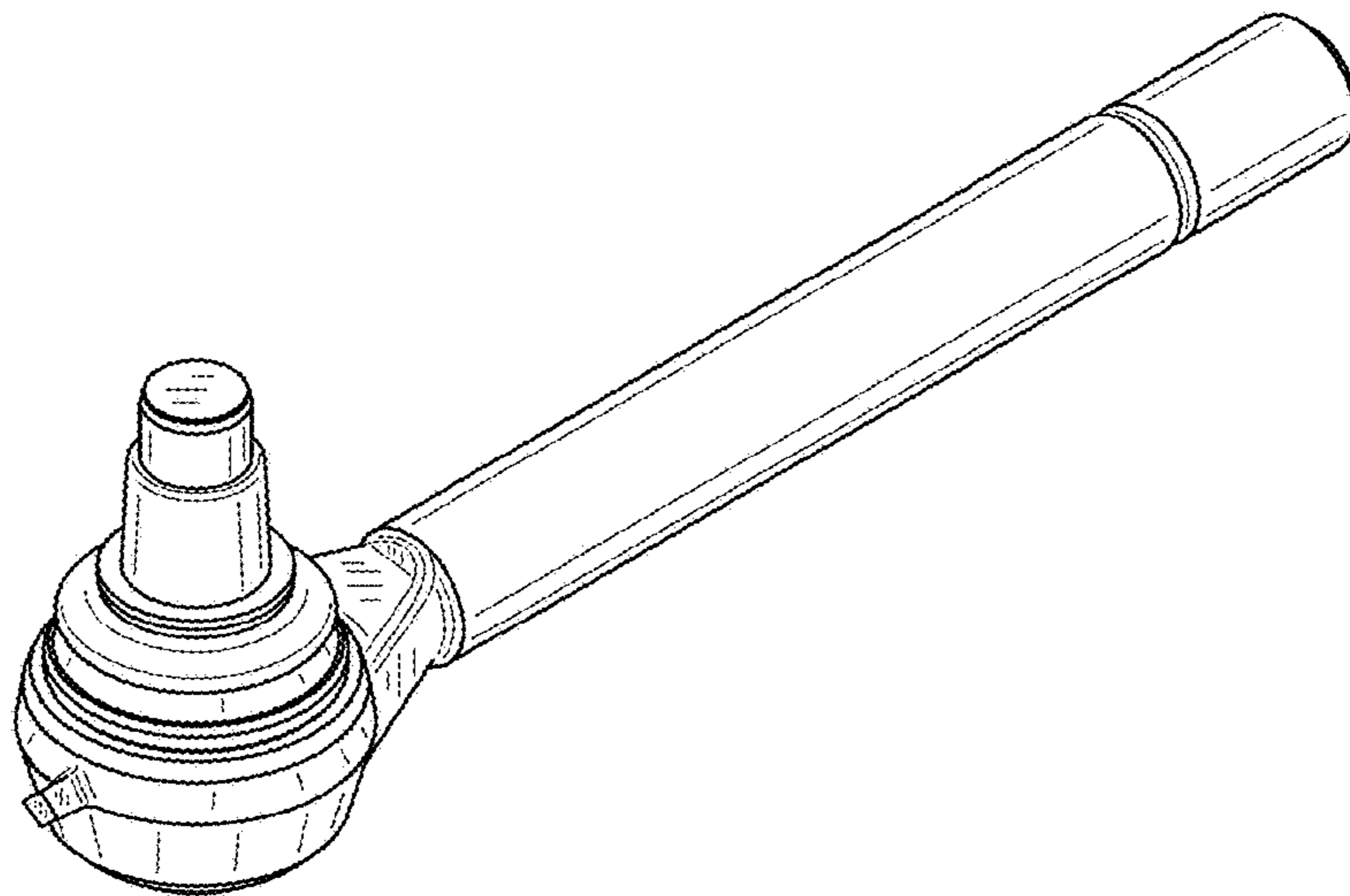


FIG.8

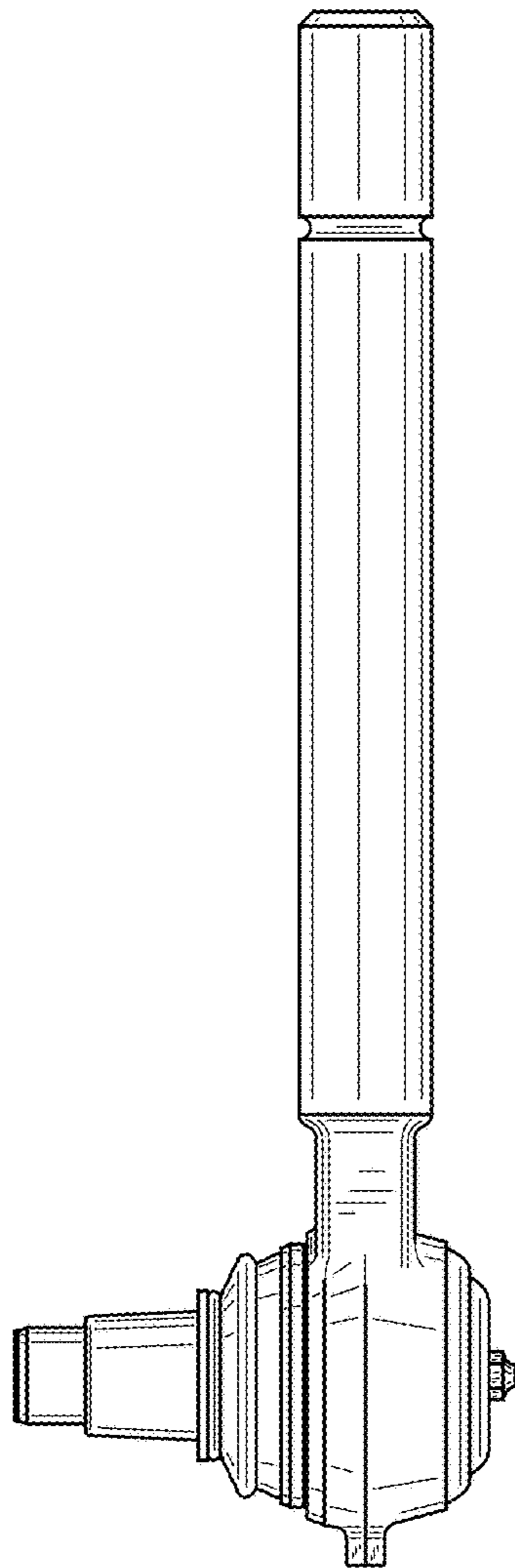


FIG.9

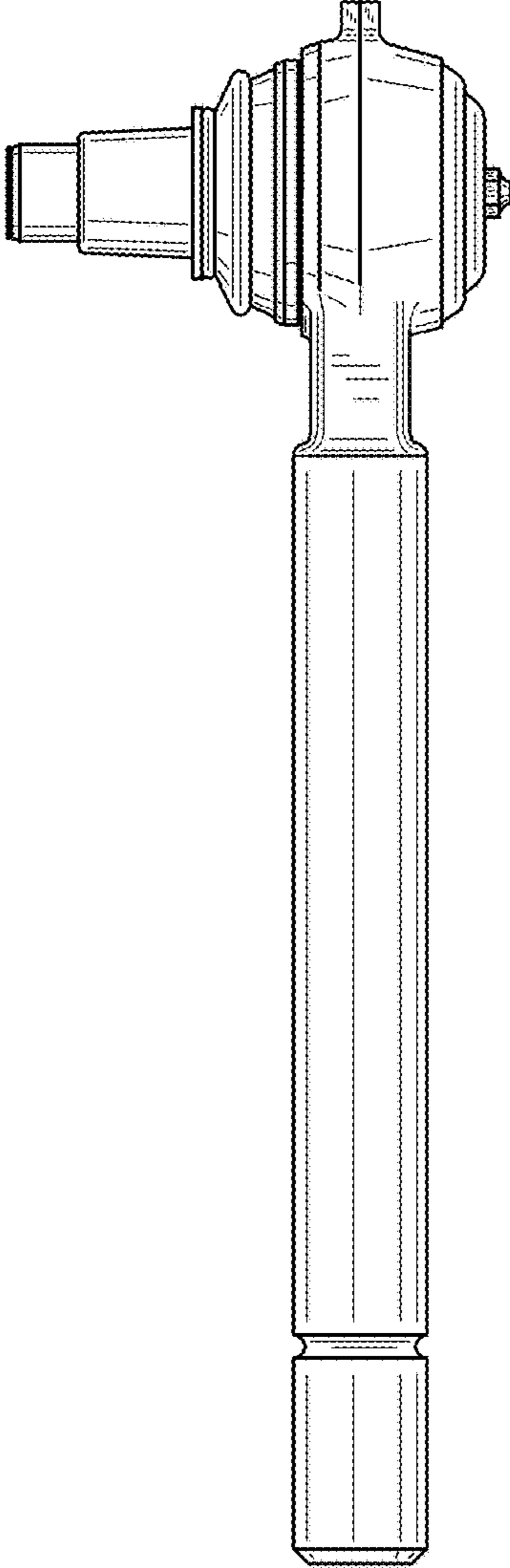


FIG.10

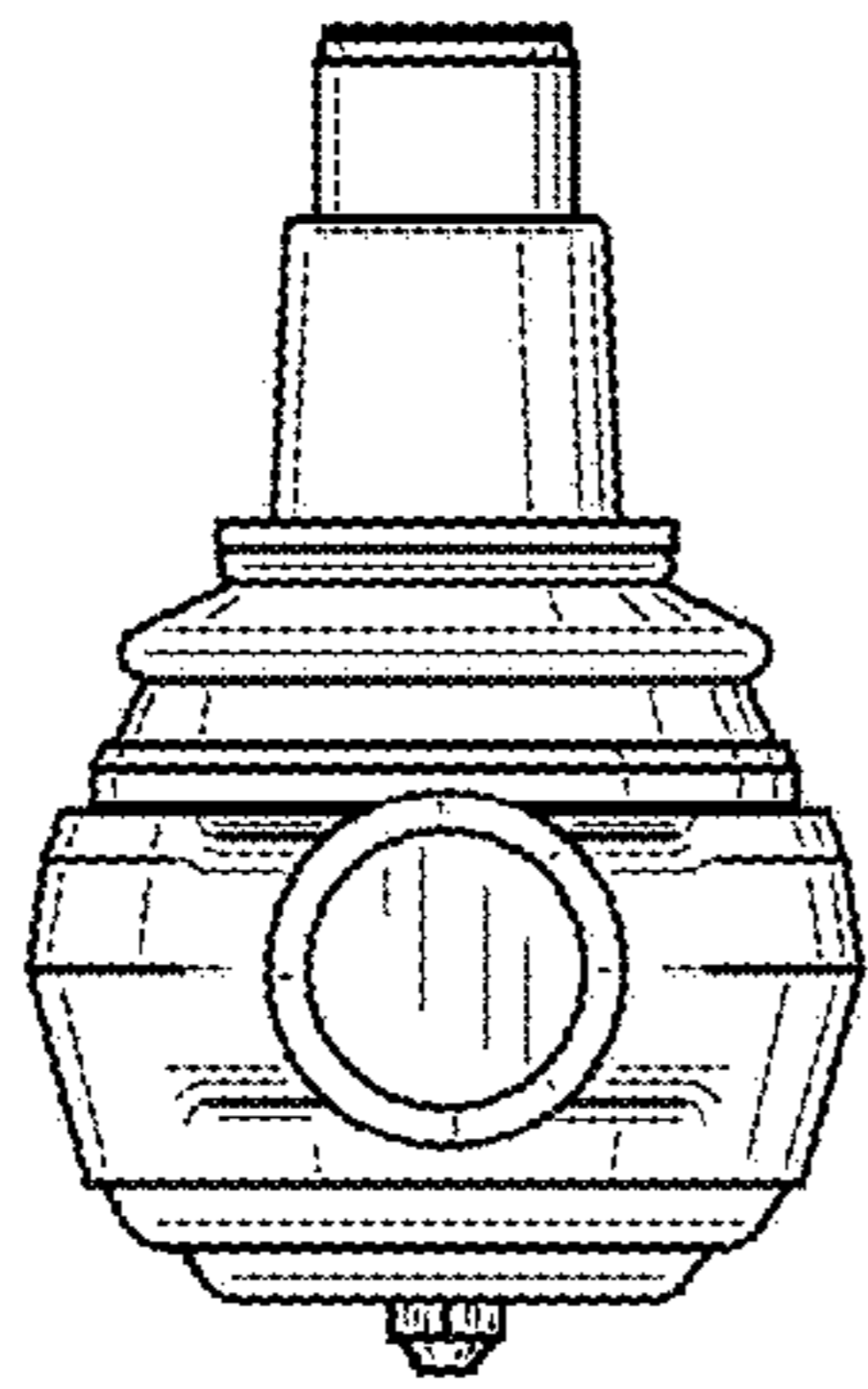


FIG. 11

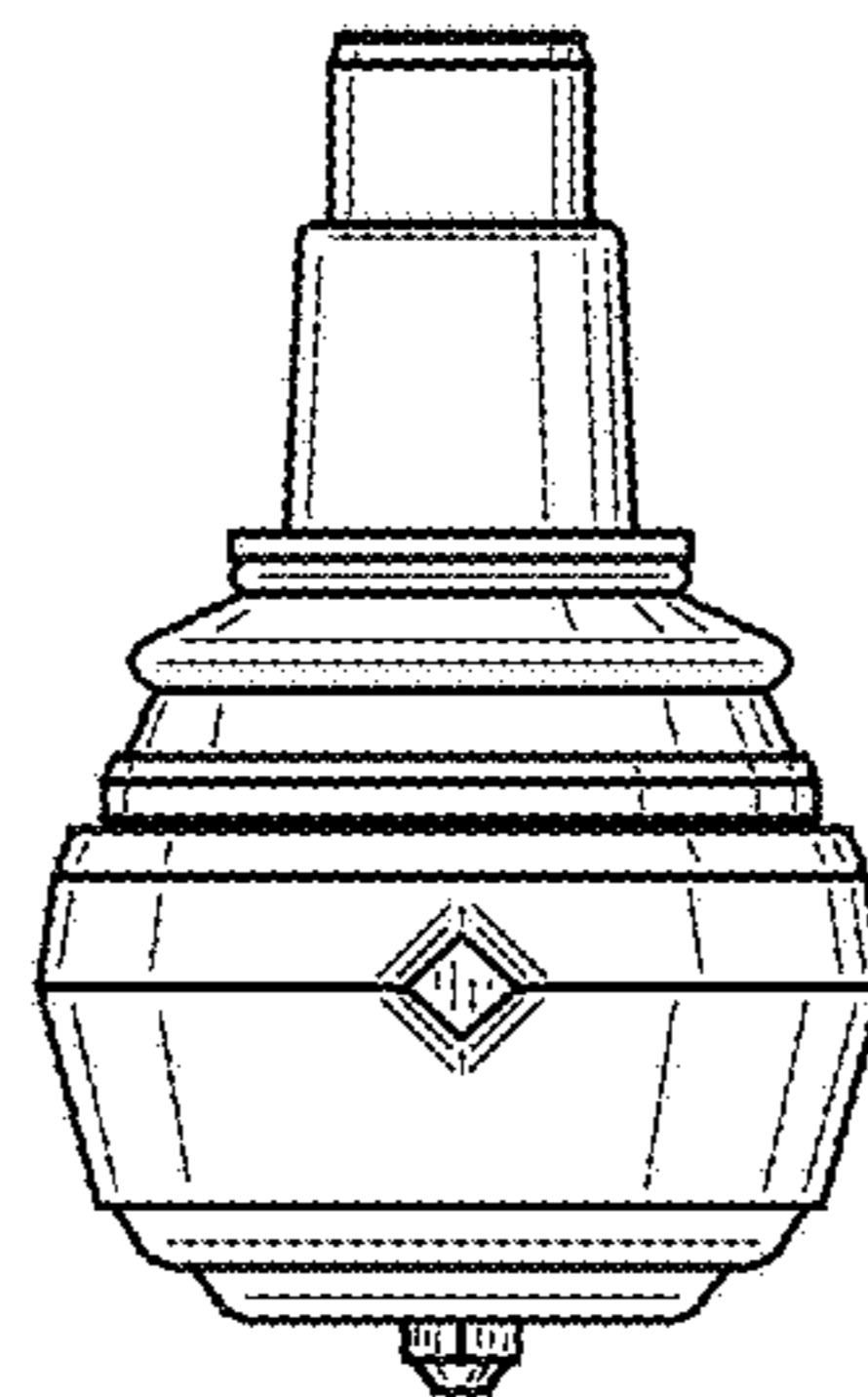


FIG. 12

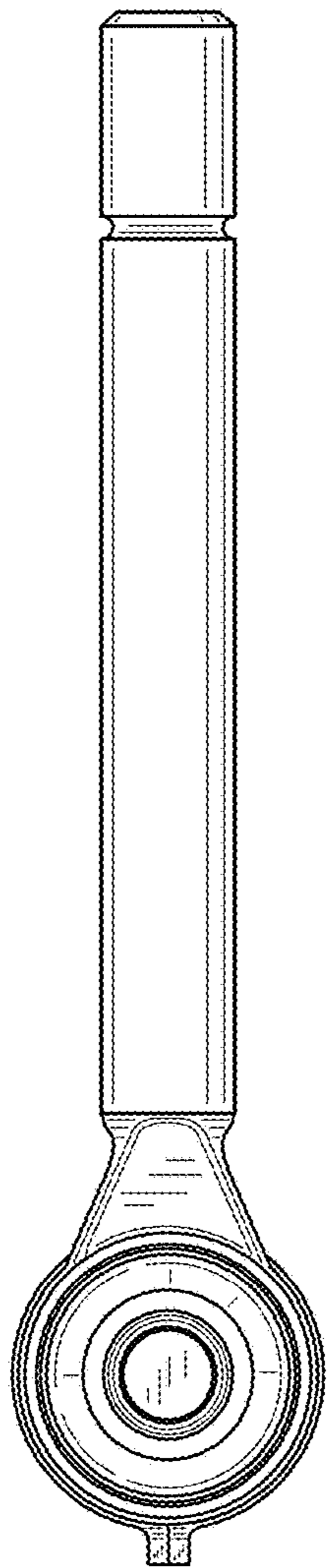


FIG.13

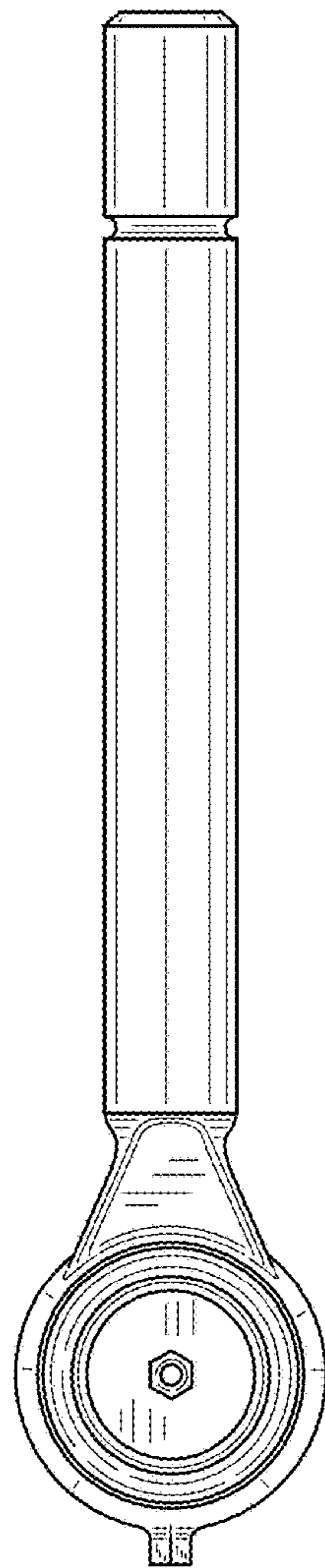


FIG.14

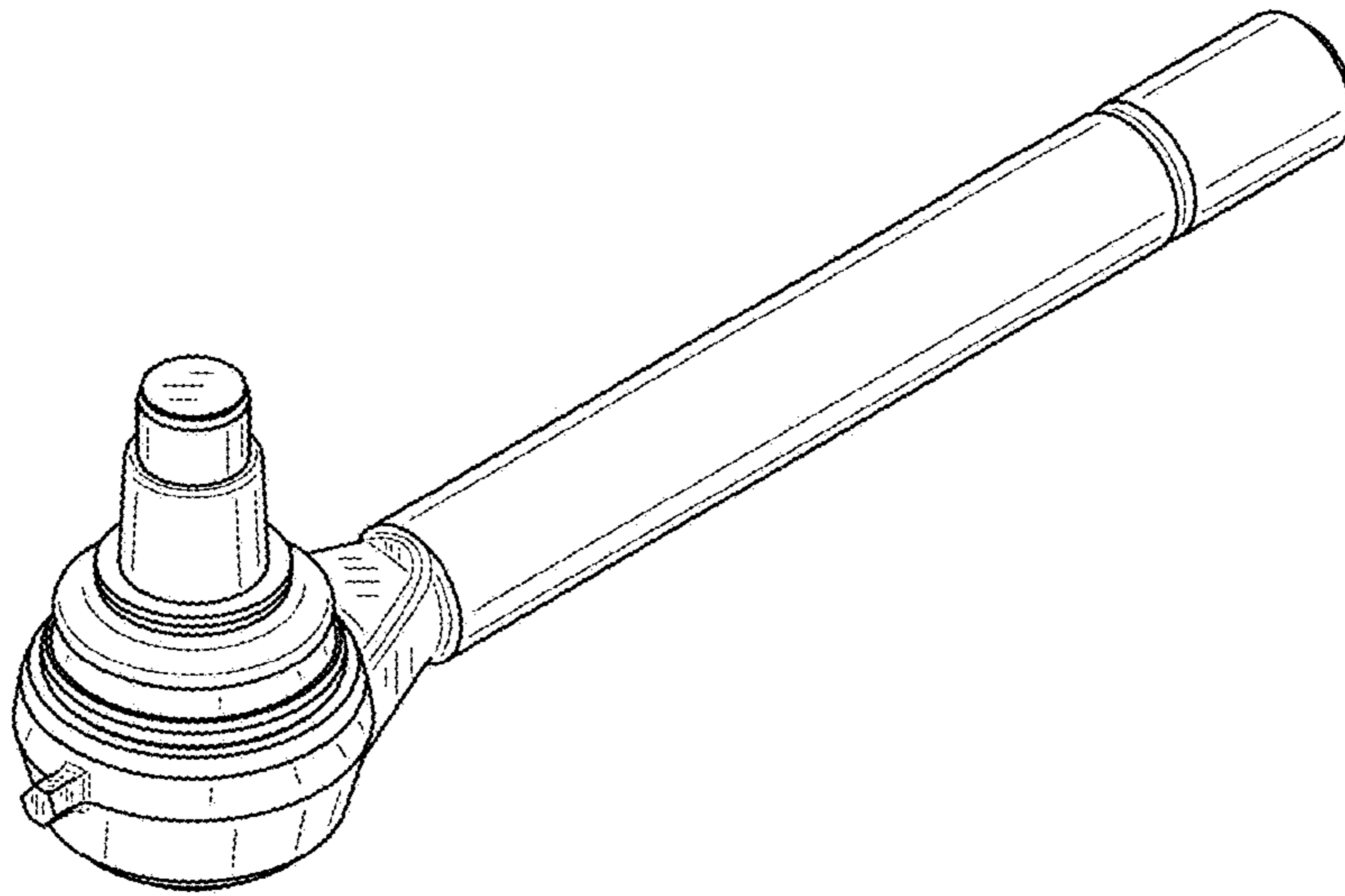


FIG. 15

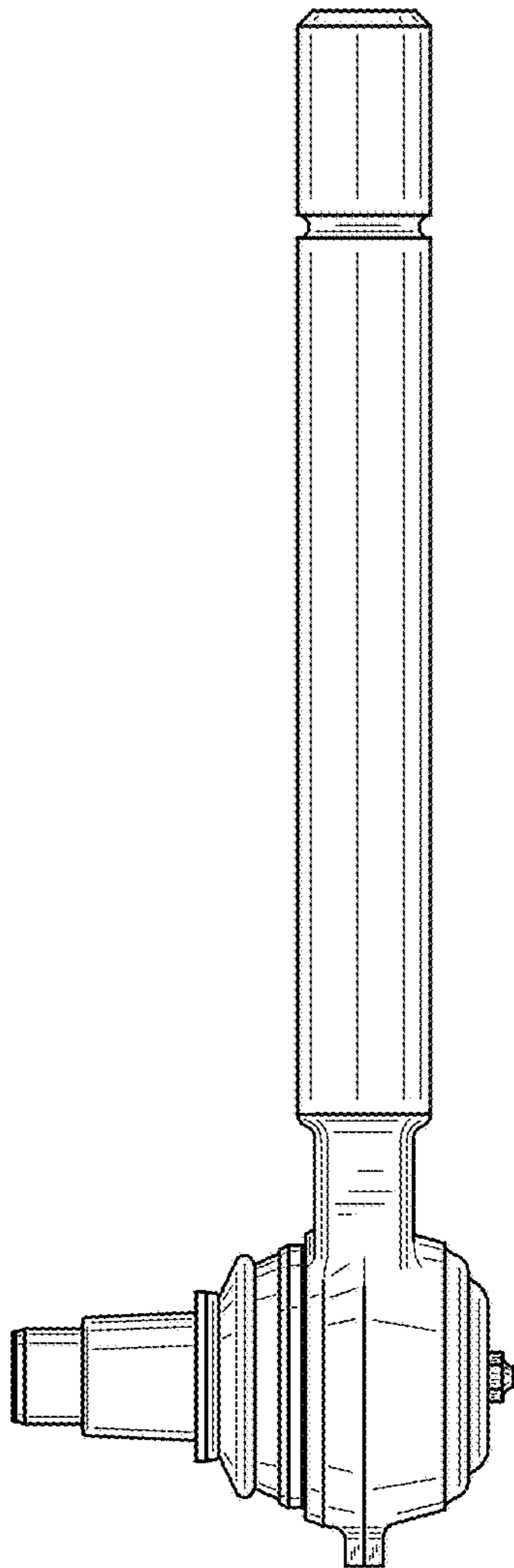


FIG.16

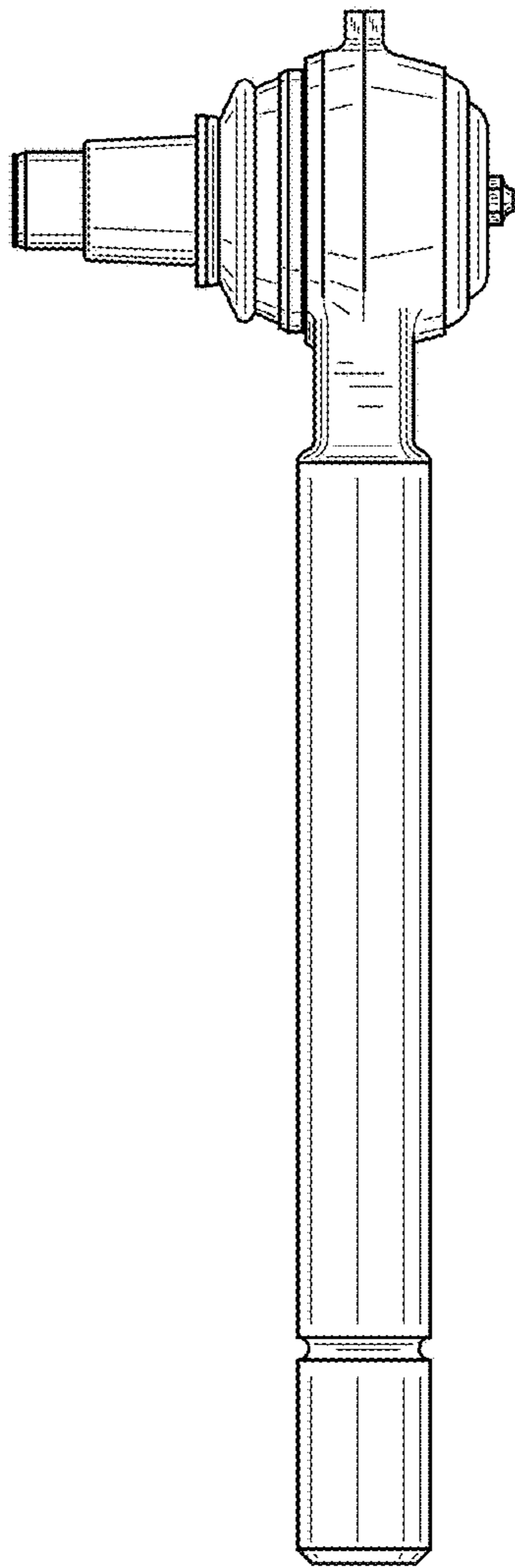


FIG.17

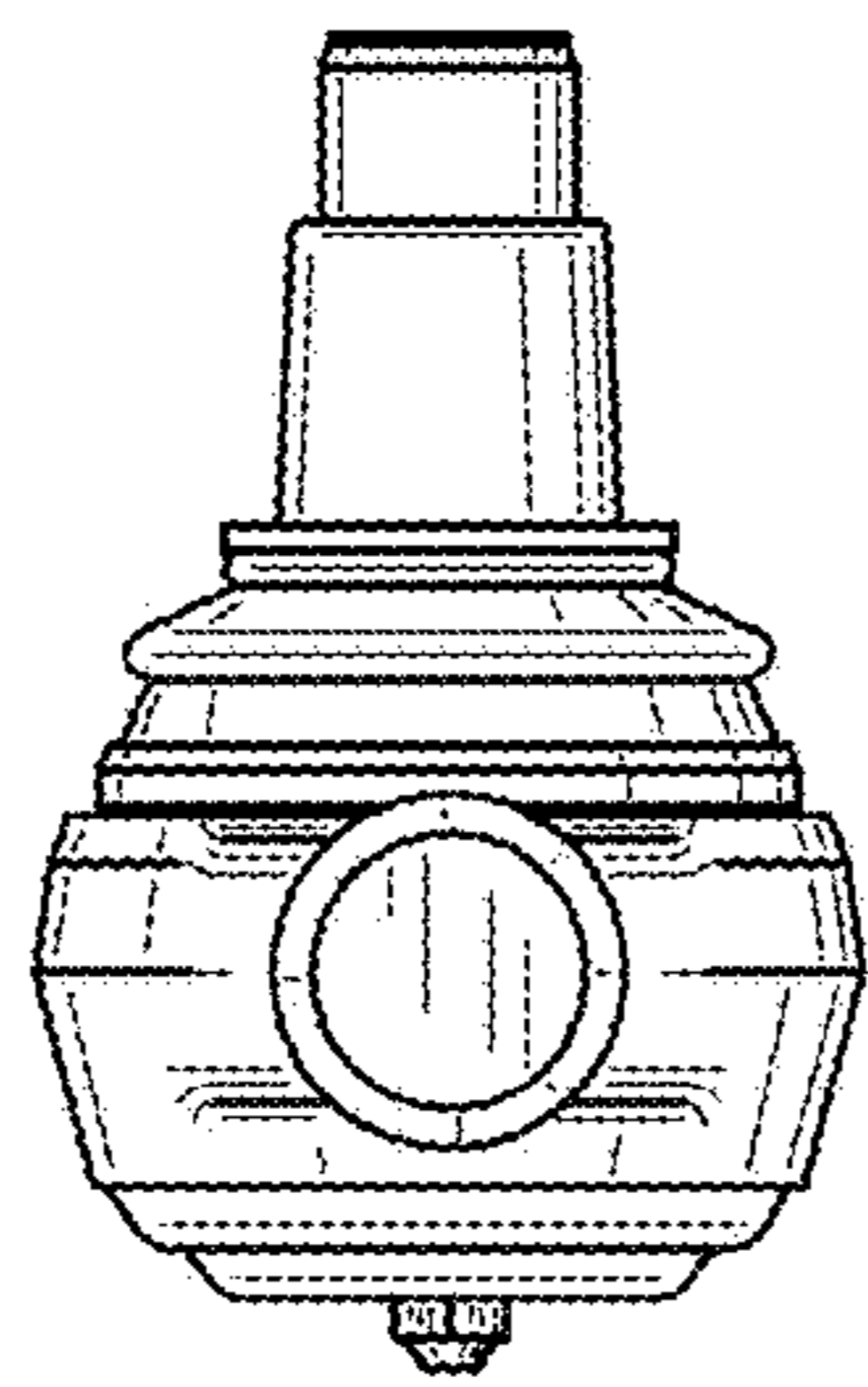


FIG. 18

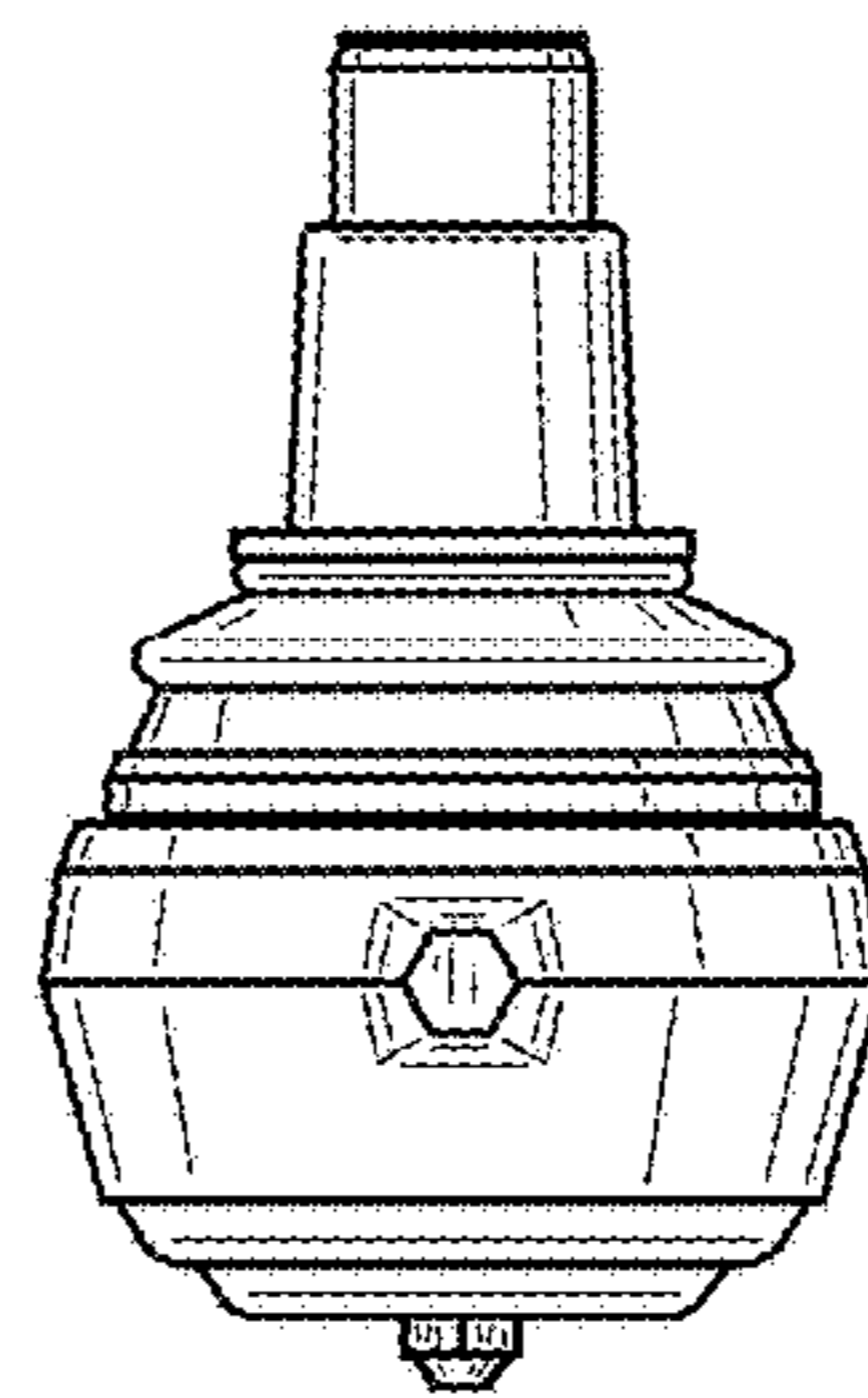


FIG. 19

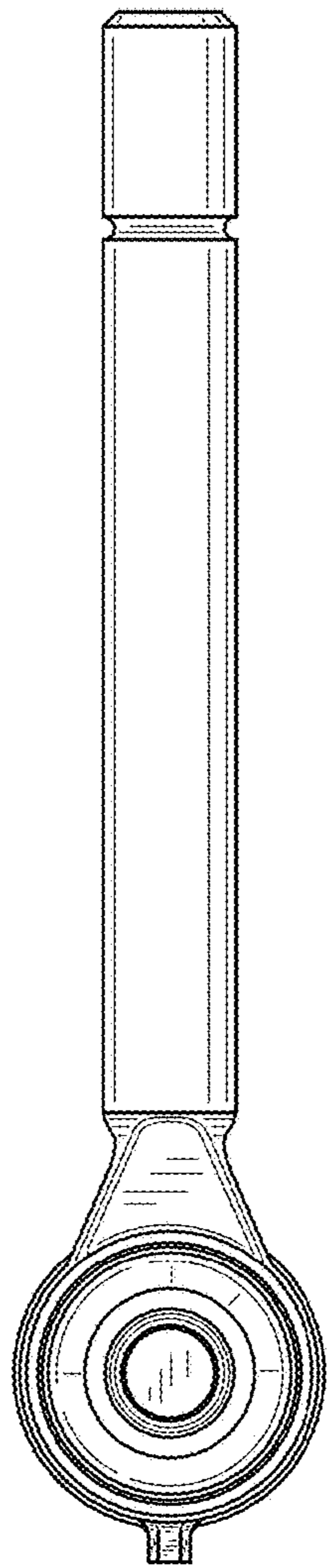


FIG. 20

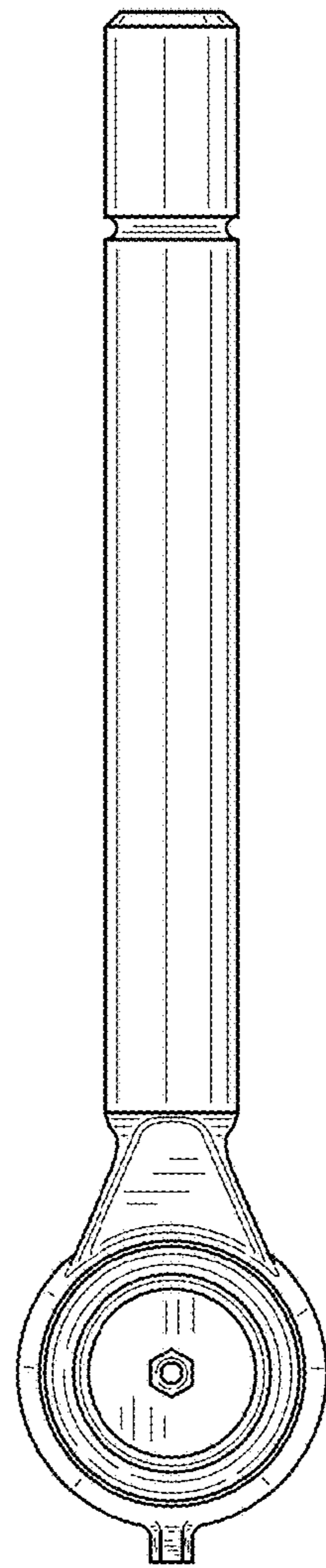


FIG. 21

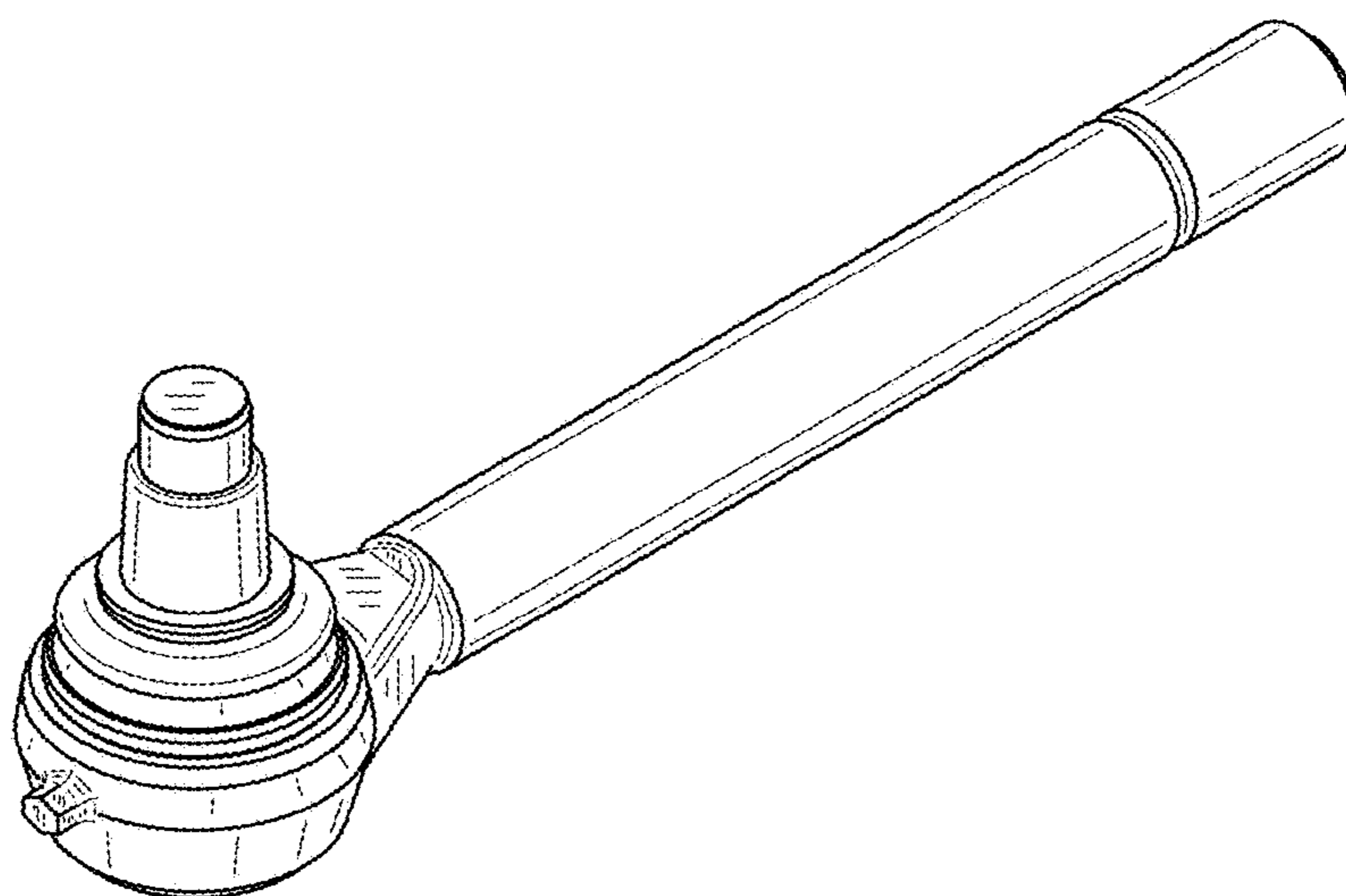


FIG.22

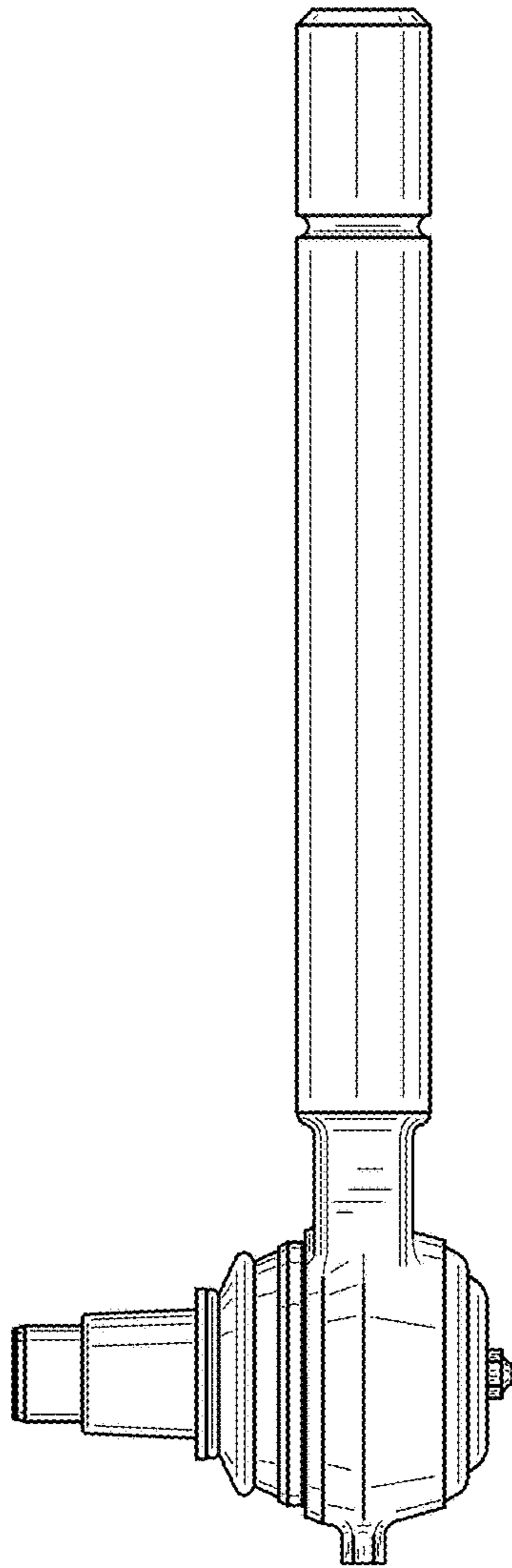


FIG. 23

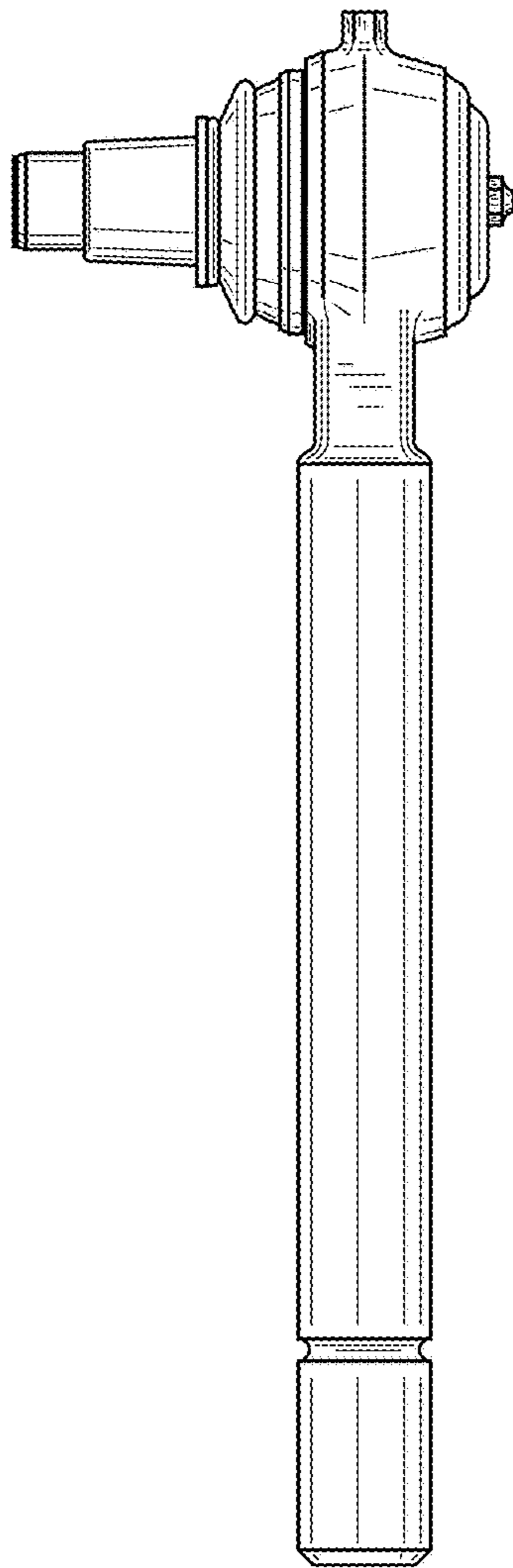


FIG.24

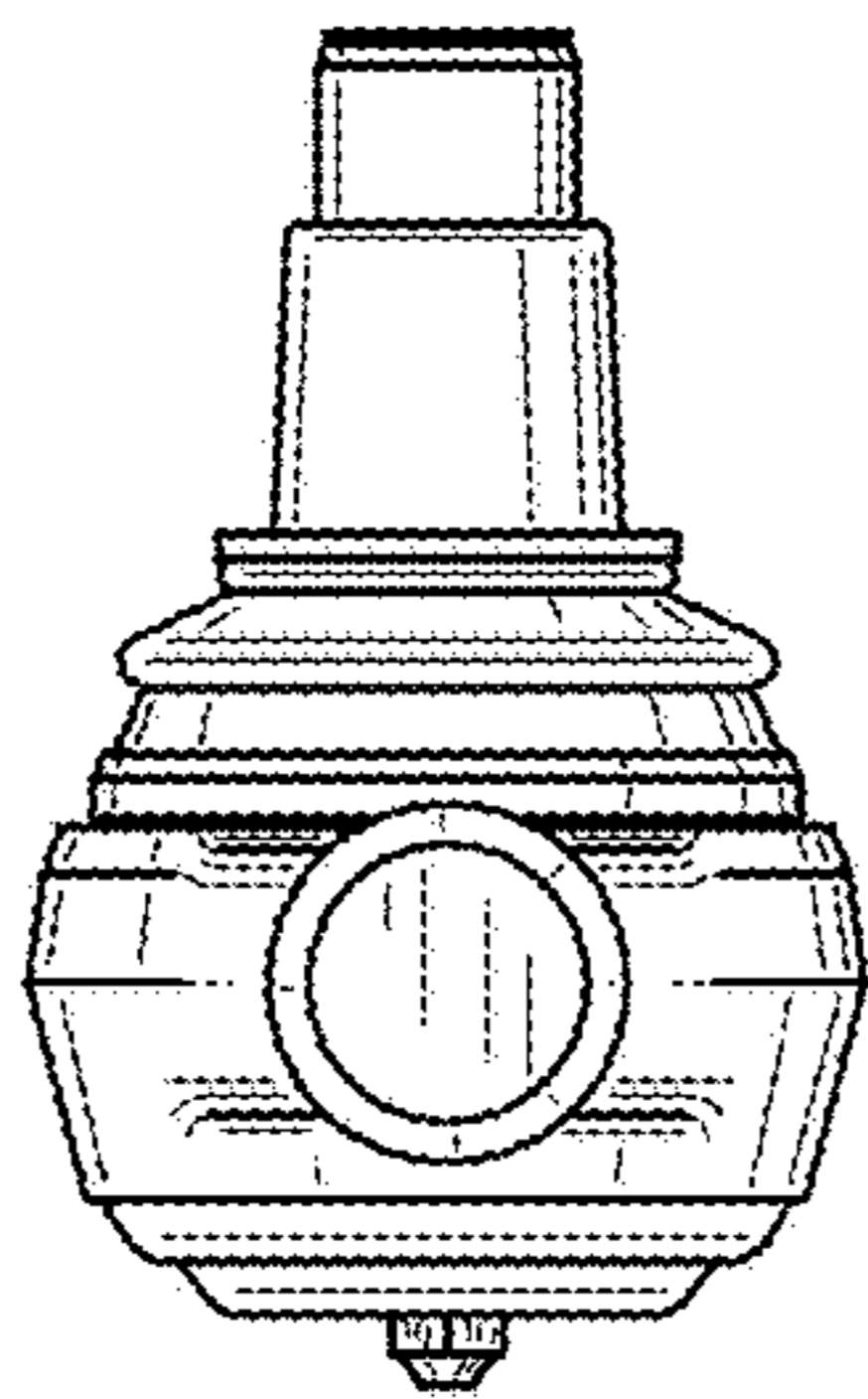


FIG. 25

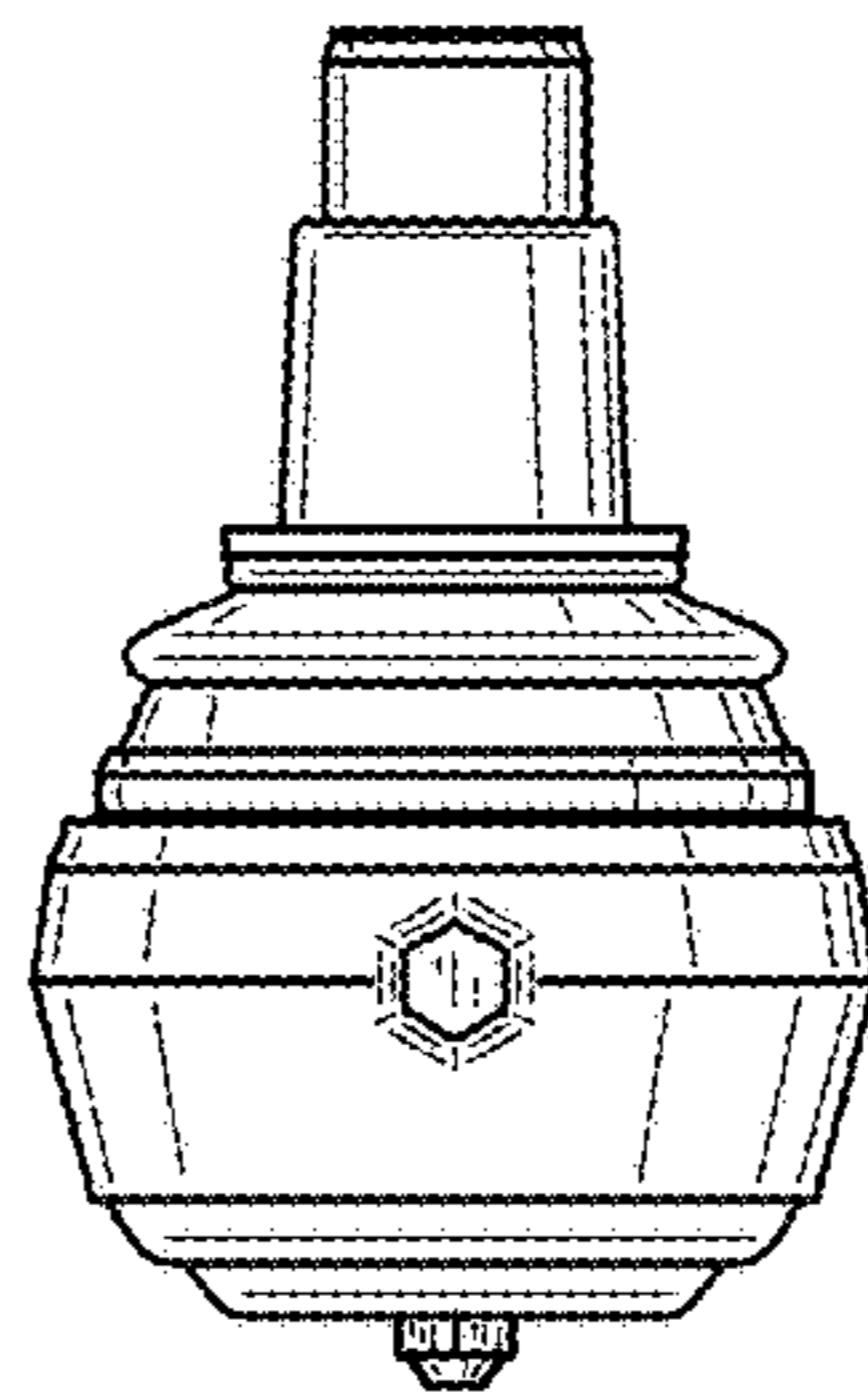


FIG. 26

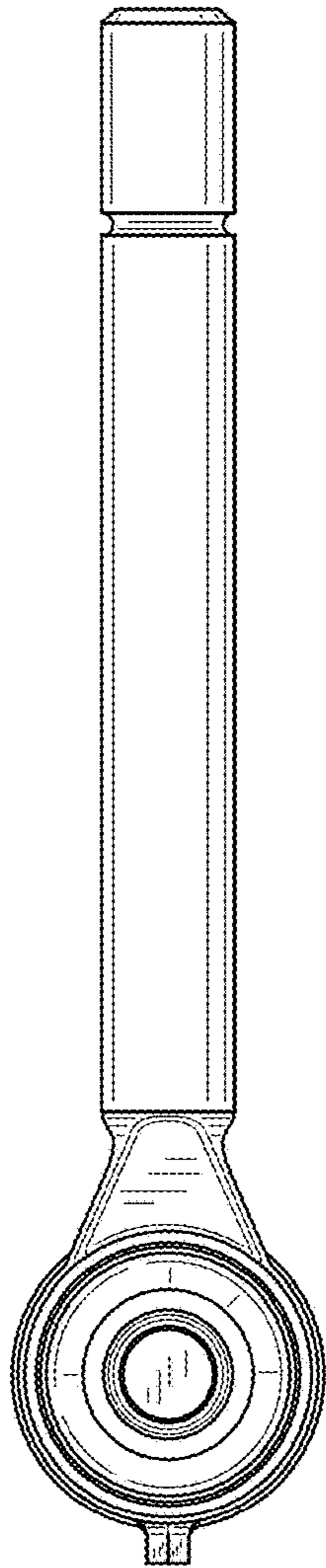


FIG. 27

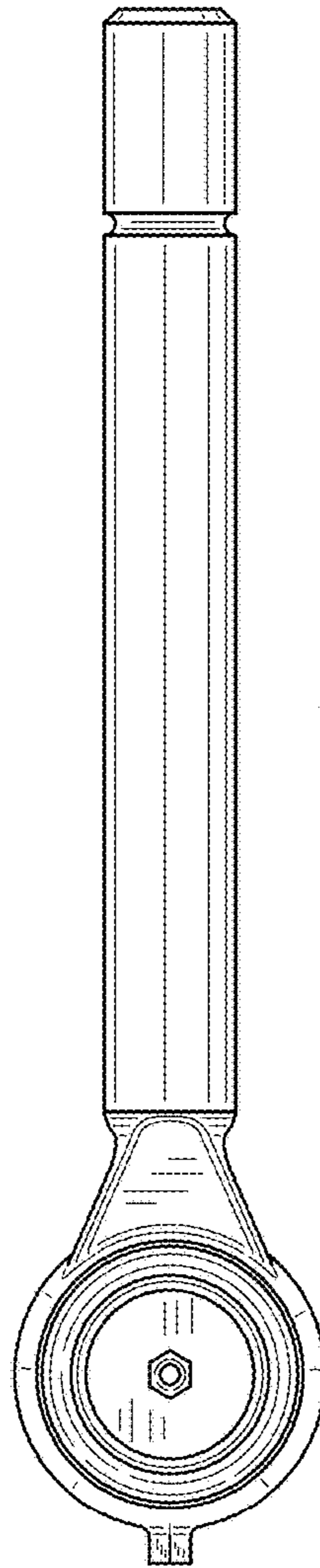


FIG. 28