



US00D861544S

(12) **United States Design Patent**  
**January**

(10) **Patent No.:** **US D861,544 S**

(45) **Date of Patent:** **\*\* Oct. 1, 2019**

(54) **WALKER**

(71) Applicant: **Debora January**, Mill Valley, CA (US)

(72) Inventor: **Debora January**, Mill Valley, CA (US)

(\*\*) Term: **15 Years**

(21) Appl. No.: **29/681,129**

(22) Filed: **Feb. 22, 2019**

(51) **LOC (12) Cl.** ..... **12-12**

(52) **U.S. Cl.**  
USPC ..... **D12/130**

(58) **Field of Classification Search**  
USPC ..... D12/128-133  
CPC ..... A61H 3/00; A61H 3/04; A61H  
2003/001-007; A61H 2003/043; A61H  
2003/046

See application file for complete search history.

(56) **References Cited**

**U.S. PATENT DOCUMENTS**

2,316,100	A	4/1943	Nelson	
D345,855	S	4/1994	Greenway	
6,070,603	A	6/2000	Politz	
6,108,592	A	8/2000	Kurtzberg et al.	
6,296,263	B1	10/2001	Schultz et al.	
7,938,413	B2	5/2011	Anderson	
8,608,183	B2	12/2013	Woo	
8,810,407	B1	8/2014	Nolan et al.	
D739,314	S *	9/2015	Wang	D12/130
9,226,868	B2 *	1/2016	Andersen	A61H 3/04
D754,034	S *	4/2016	Wang	D12/130
D754,568	S *	4/2016	Wang	D12/130

9,381,132	B2 *	7/2016	Chen	A61H 3/04
9,687,411	B2 *	6/2017	Chen	A61H 3/04
9,763,849	B2 *	9/2017	Paterson	A61H 3/04
9,839,571	B2 *	12/2017	Pan	A47C 4/04
D807,793	S *	1/2018	Paterson	D12/130
9,877,889	B2 *	1/2018	Chen	A61H 3/04
9,907,723	B2 *	3/2018	Bisceglia	A61H 3/04
9,968,509	B2 *	5/2018	Andersen	A61H 3/04
9,974,708	B1 *	5/2018	Janeczek	A61H 3/04
2007/0193611	A1	8/2007	Gallo	
2008/0174084	A1	7/2008	Gee	

\* cited by examiner

*Primary Examiner* — Charles D Hanson

(74) *Attorney, Agent, or Firm* — Cramer Patent & Design, PLLC; Aaron R. Cramer

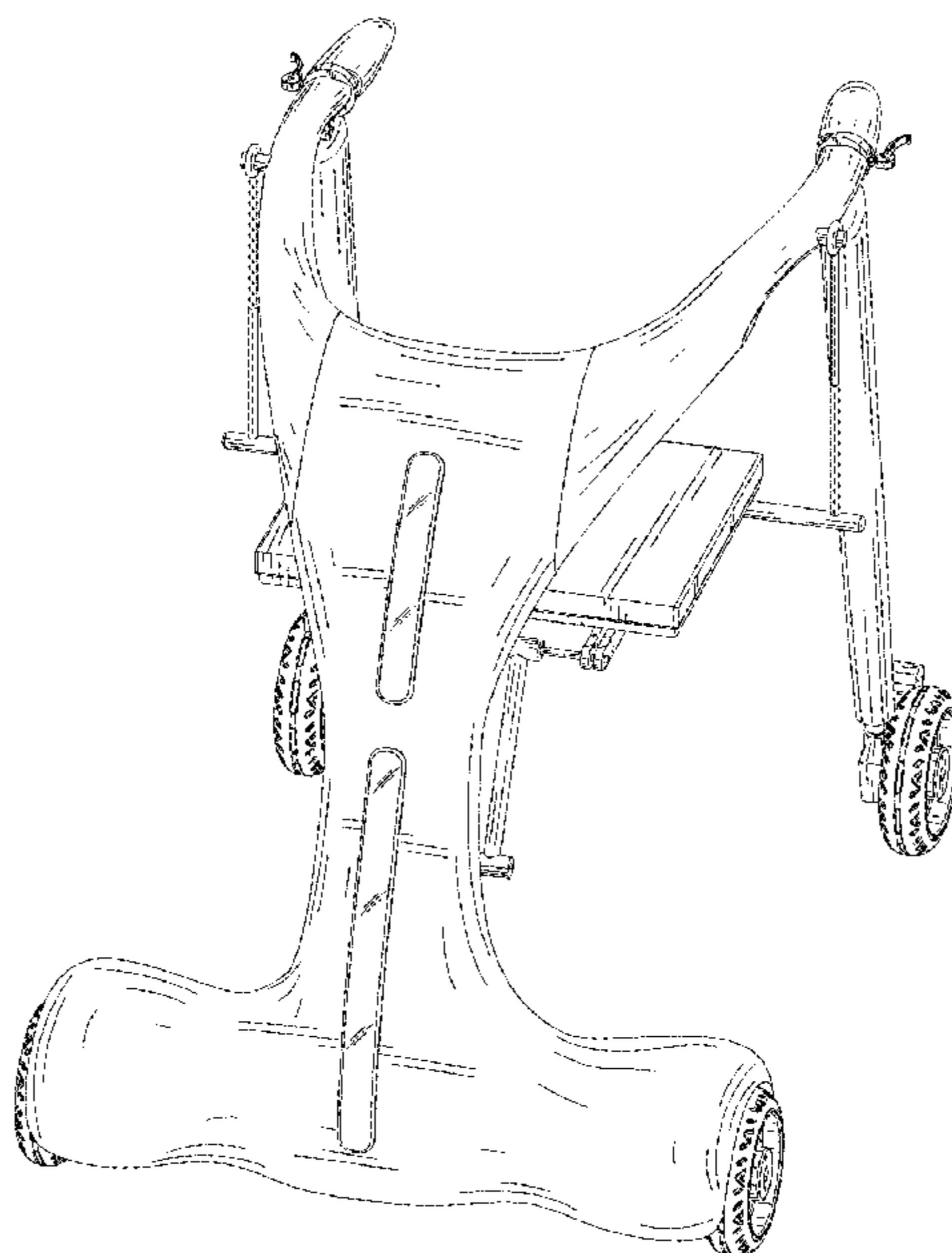
(57) **CLAIM**

The ornamental design for a walker, as shown and described.

**DESCRIPTION**

FIG. 1 is a perspective top front right view of a walker, showing my new design;  
 FIG. 2 is a perspective top rear left view thereof;  
 FIG. 3 is a front elevation view thereof;  
 FIG. 4 is a rear elevation view thereof;  
 FIG. 5 is a right elevation view thereof;  
 FIG. 6 is a left elevation view thereof;  
 FIG. 7 is a top plan view thereof;  
 FIG. 8 is a bottom plan view thereof;  
 FIG. 9 is a perspective top rear left view of the walker in a folded configuration; and,  
 FIG. 10 is a perspective top front right view of the walker in a folded configuration.

**1 Claim, 10 Drawing Sheets**



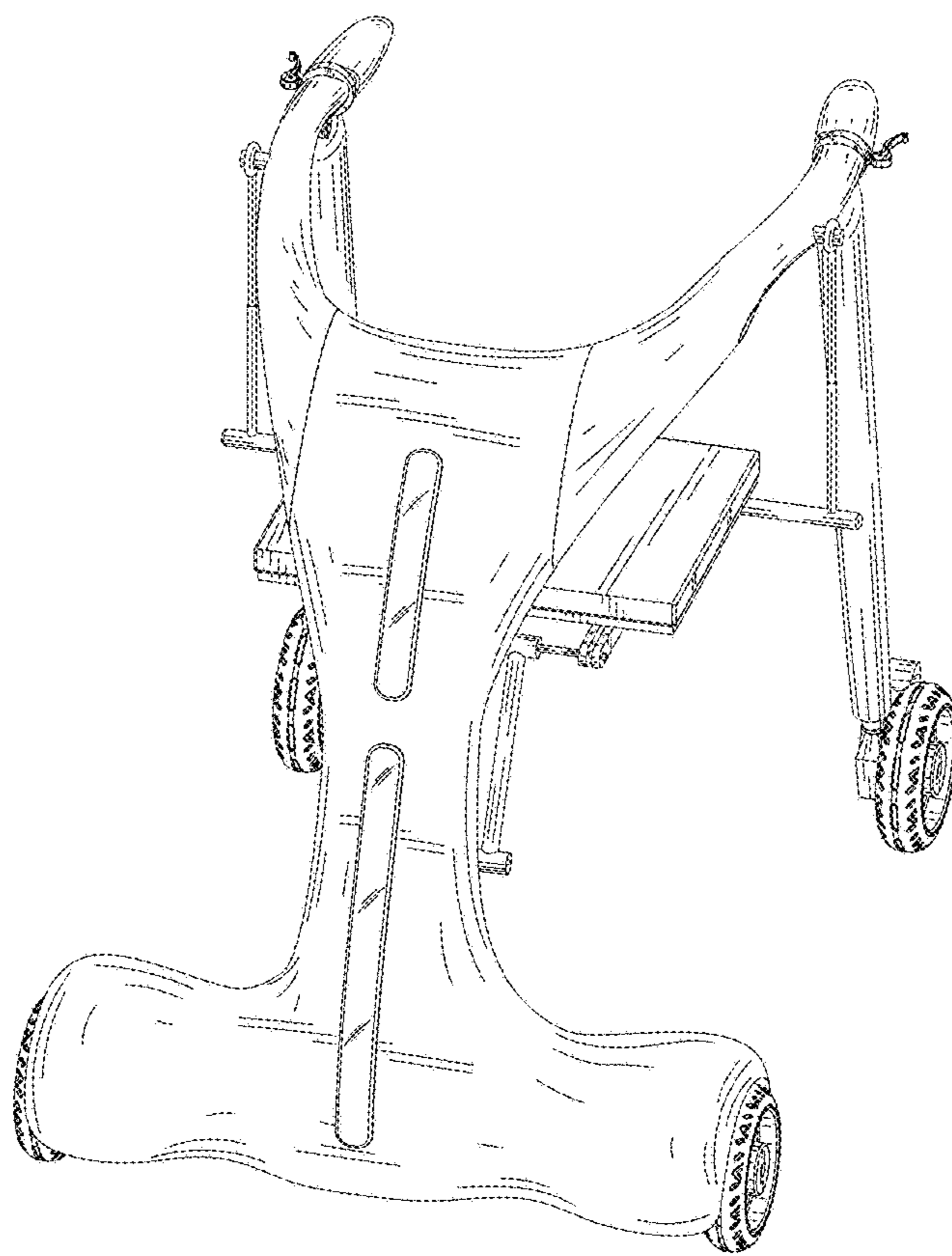


FIG. 1

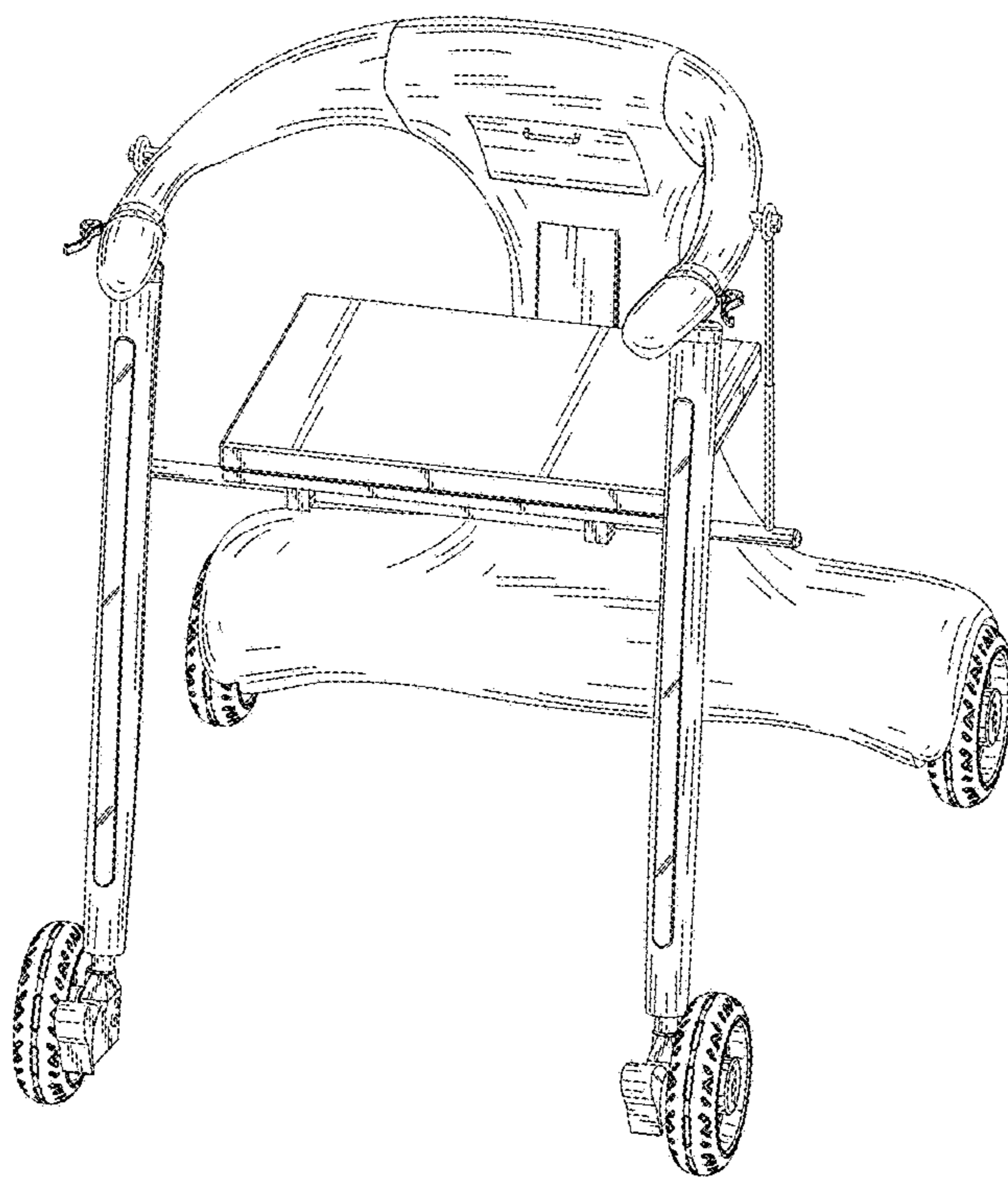


FIG. 2

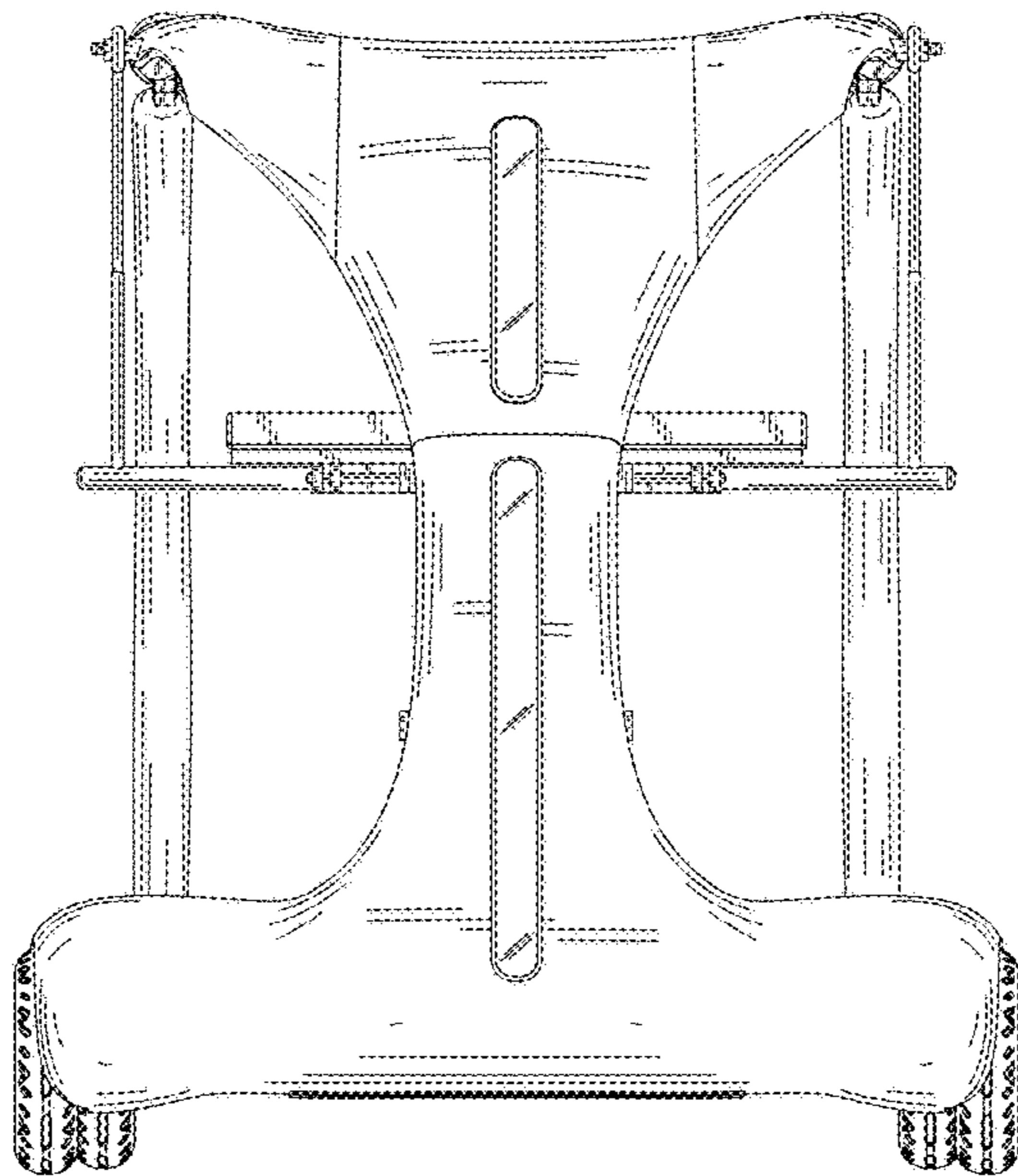


FIG. 3

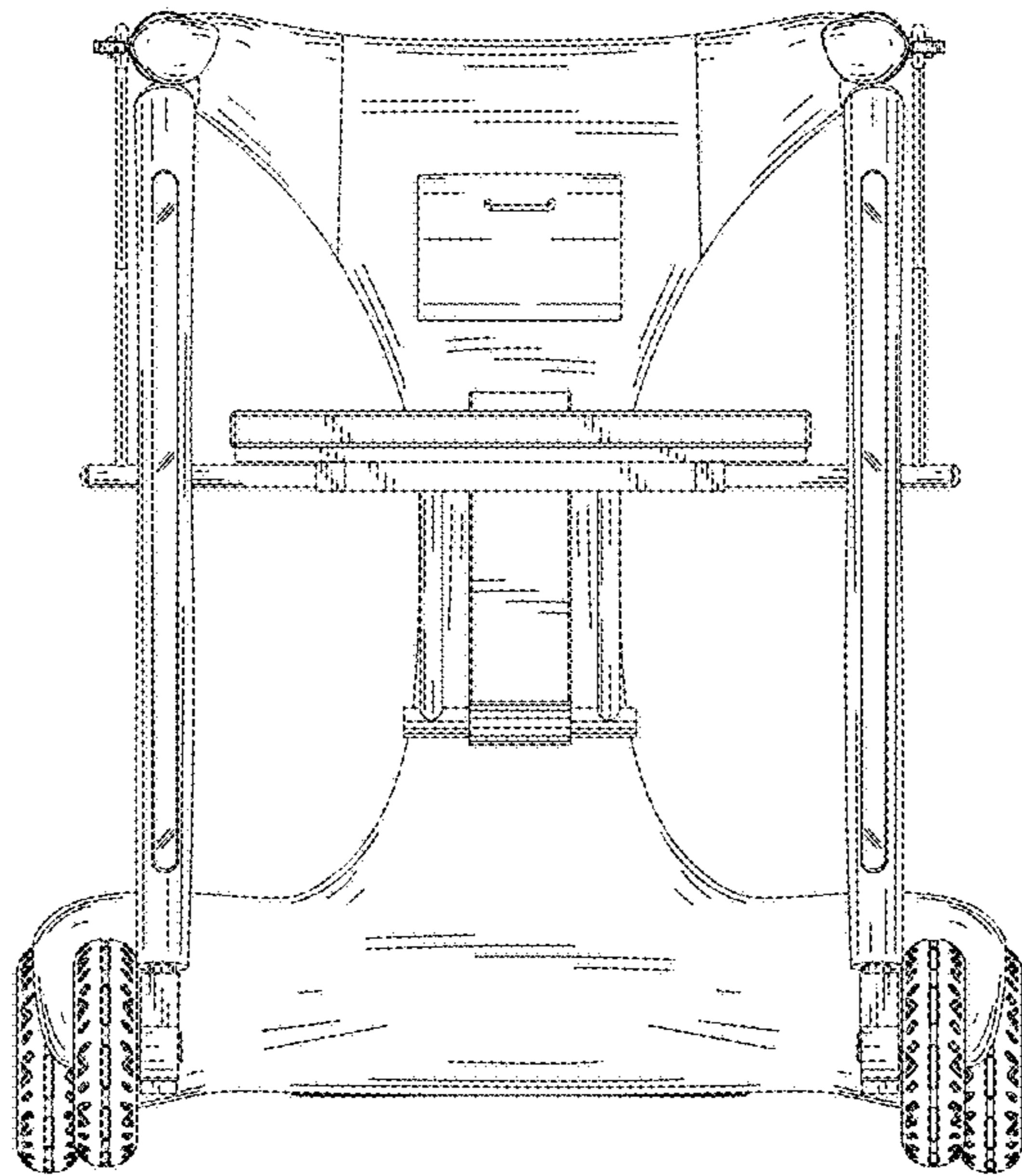


FIG. 4

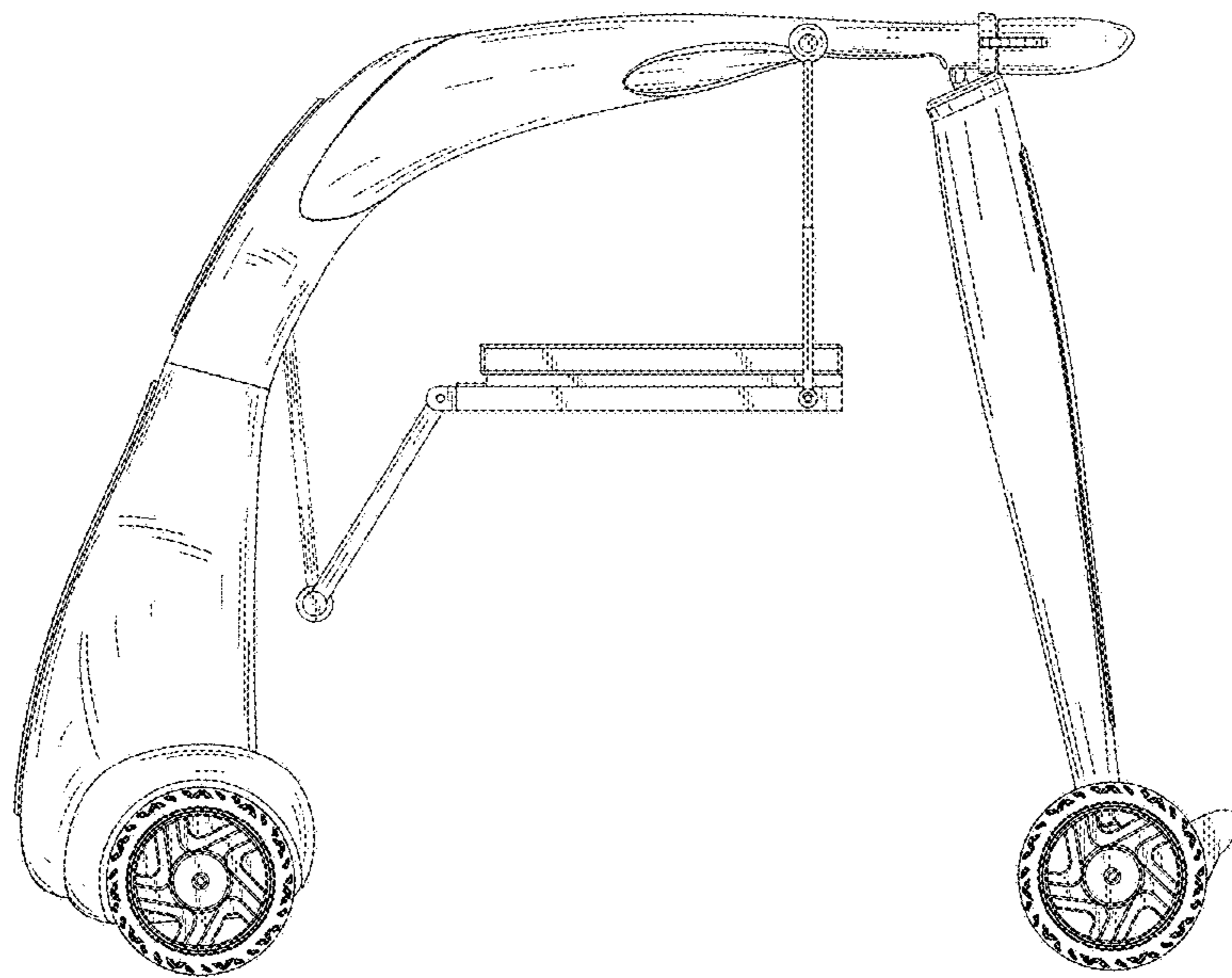


FIG. 5

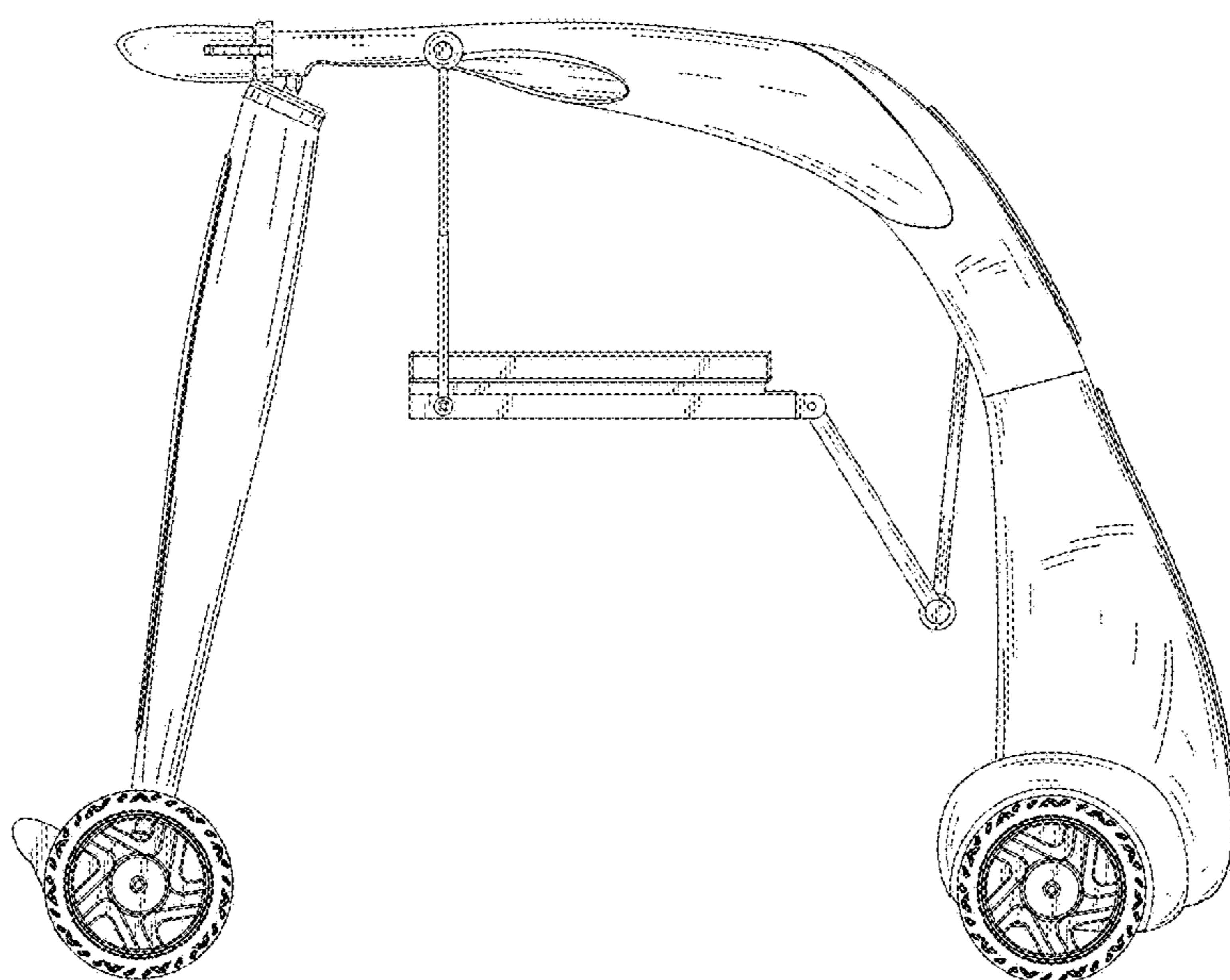


FIG. 6

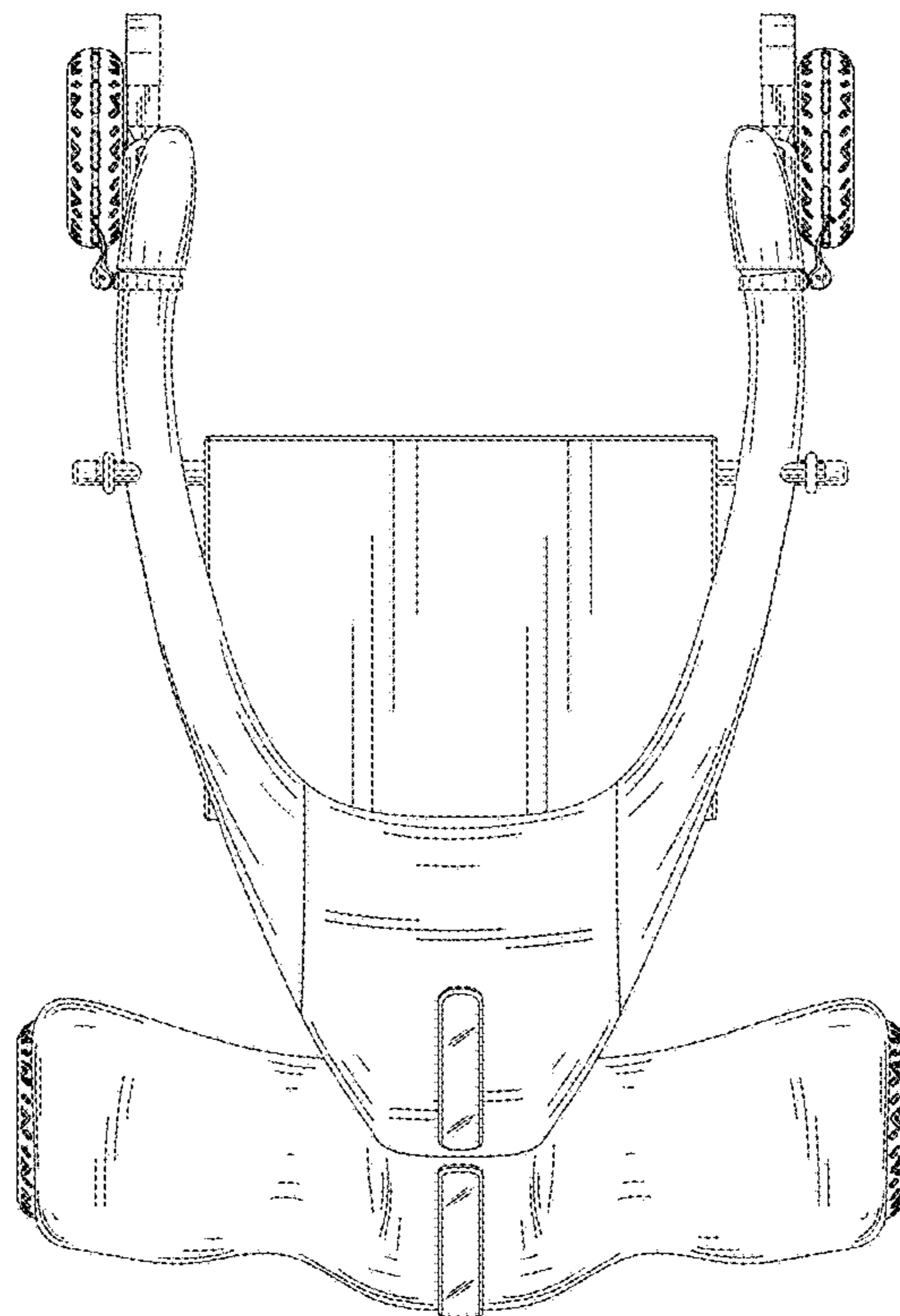


FIG. 7



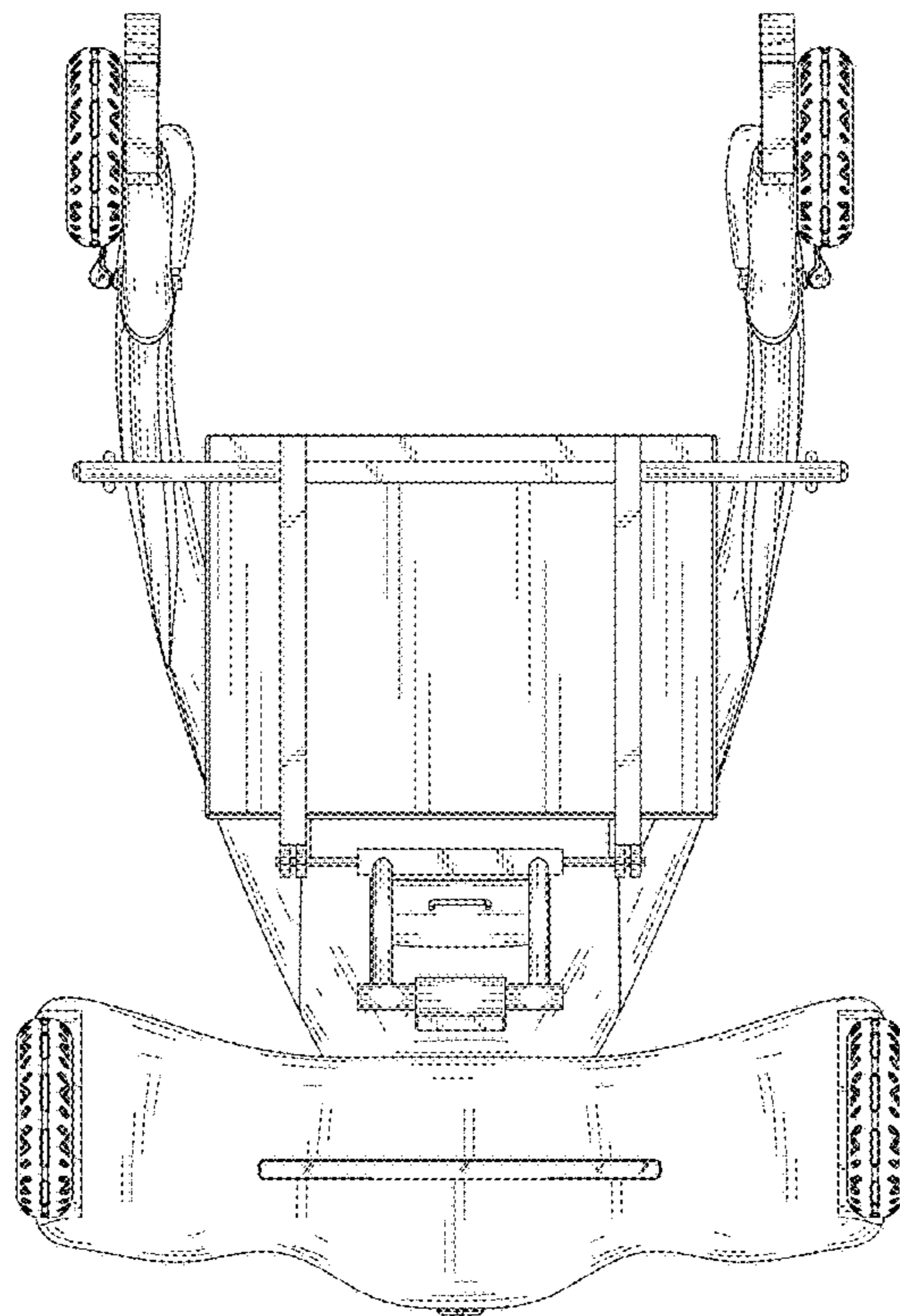


FIG. 8

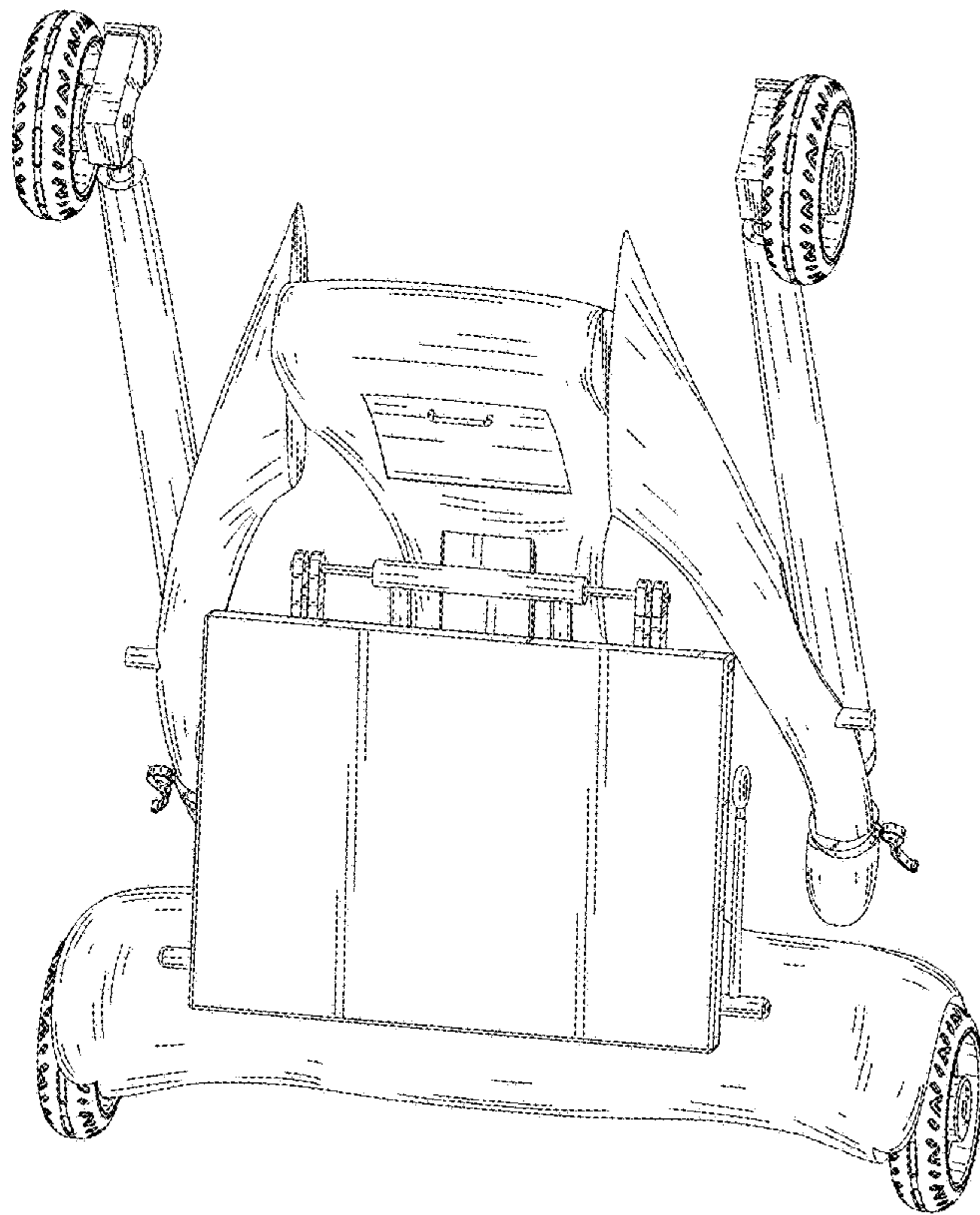


FIG. 9

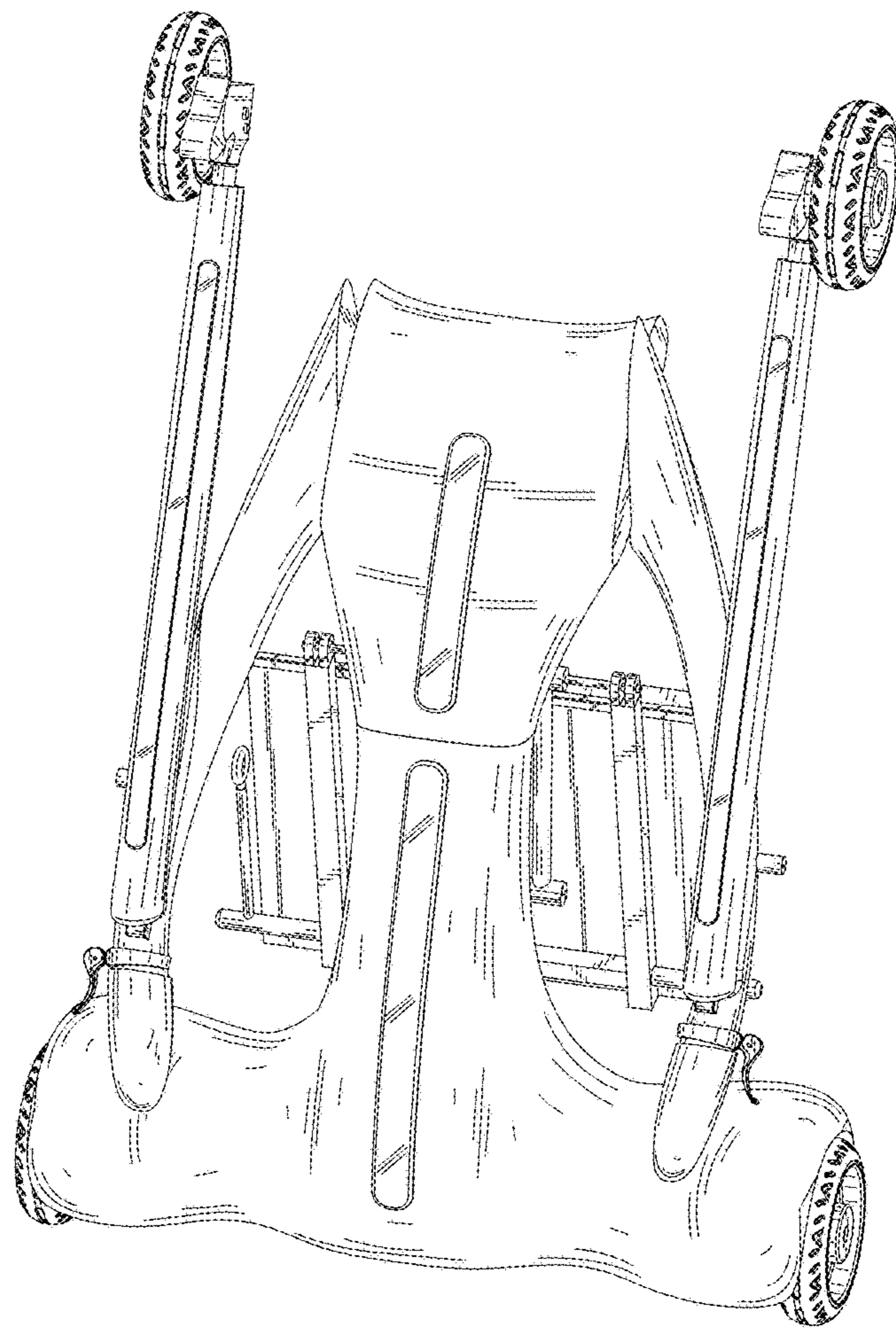


FIG. 10