



US00D861543S

(12) **United States Design Patent**  
**Luman**

(10) **Patent No.:** **US D861,543 S**  
(45) **Date of Patent:** **\*\* Oct. 1, 2019**

(54) **COVER FOR A BICYCLE CHAINRING**

D390,508 S \* 2/1998 Metcalf ..... D12/127  
D497,654 S \* 10/2004 Chen ..... D12/127  
8,317,644 B1 \* 11/2012 Bolch ..... B62J 13/04  
150/167

(71) Applicant: **SRAM, LLC**, Chicago, IL (US)

(72) Inventor: **Nathan Luman**, Oak Park, IL (US)

(73) Assignee: **SRAM, LLC**, Chicago, IL (US)

(\*\*) Term: **15 Years**

(21) Appl. No.: **29/624,836**

(22) Filed: **Nov. 3, 2017**

(51) **LOC (12) Cl.** ..... **12-11**

(52) **U.S. Cl.**  
USPC ..... **D12/127**

(58) **Field of Classification Search**  
USPC ..... D12/110, 111, 114, 126, 127  
CPC ..... B62J 13/04  
See application file for complete search history.

(56) **References Cited**

**U.S. PATENT DOCUMENTS**

D107,442 S \* 12/1937 Morgan ..... D12/127  
2,492,879 A \* 12/1949 Mueller ..... B62J 13/02  
474/146  
D181,684 S \* 12/1957 Stevens ..... D12/127  
D185,101 S \* 5/1959 Schreckengost ..... D12/127  
3,162,062 A \* 12/1964 Jacoby ..... B62J 13/04  
280/304.3  
D248,036 S \* 5/1978 Williams ..... D12/127  
D251,186 S \* 2/1979 Patterson ..... D12/127  
D355,872 S \* 2/1995 Haney ..... D12/127  
D368,683 S \* 4/1996 Kartchner ..... D12/127  
D376,569 S \* 12/1996 Fang ..... D12/127

**OTHER PUBLICATIONS**

Benson, Cory, EB16: FSA PowerBox launches power meter cranks developed with Power2Max, bikerumor.com, Sep. 30, 2016, 7 pages, <https://www.bikerumor.com/2016/09/30/eb16-fsa-powerbox-launches-power-meter-crank-developed-power2max/>.

\* cited by examiner

*Primary Examiner* — Darlington Ly

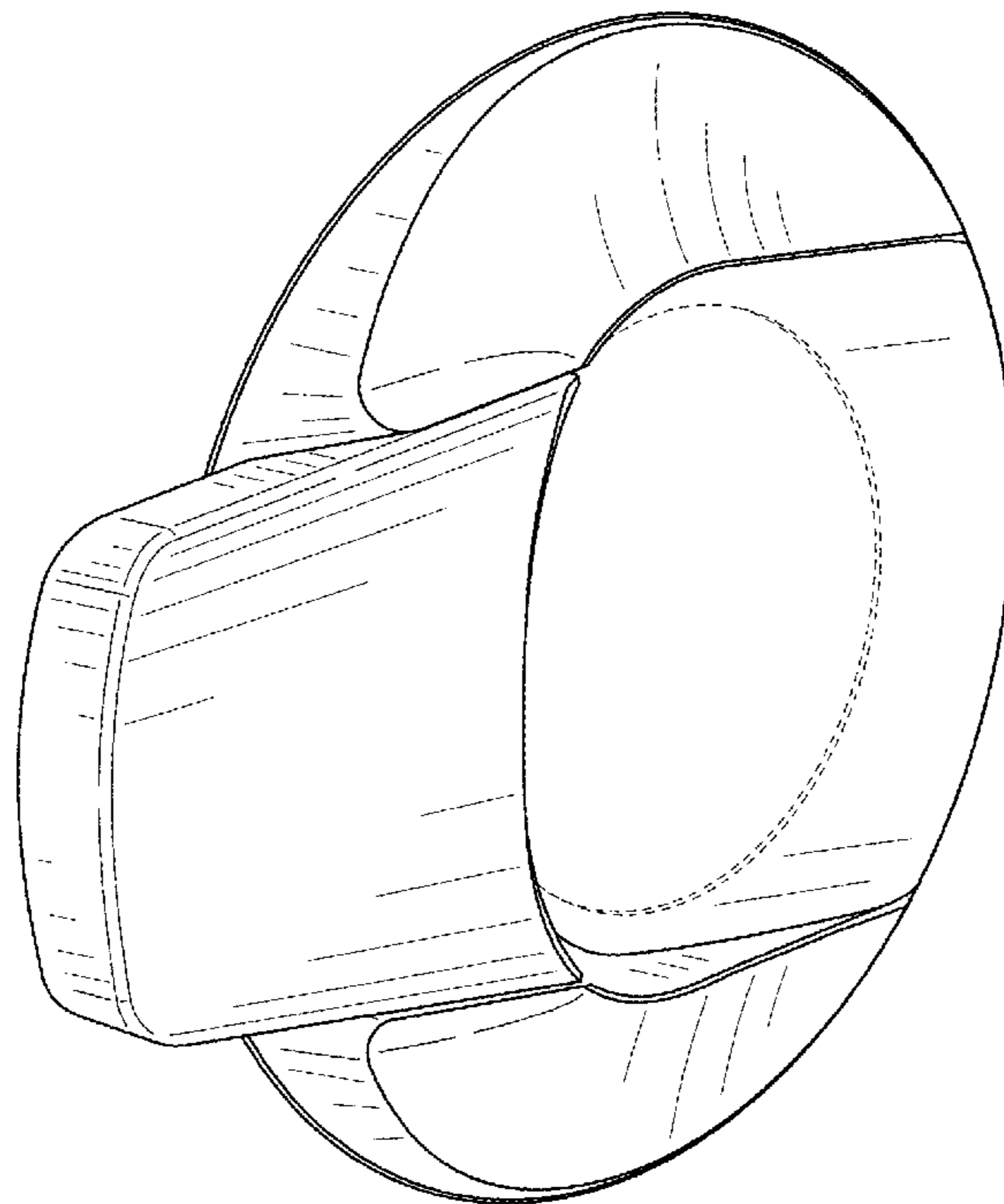
(57) **CLAIM**

The ornamental design for a cover for a bicycle chainring, as shown and described.

**DESCRIPTION**

FIG. 1 is a top, front, and left side isometric view of a cover for a bicycle chainring showing my new design; FIG. 2 is a front elevation view thereof; FIG. 3 is a right side elevation view thereof; FIG. 4 is a left side elevation view thereof; FIG. 5 is a top plan view thereof; FIG. 6 is a bottom plan view thereof; and, FIG. 7 is a front elevation view thereof attached to a bicycle chainring and crankarm. The broken line showing the bicycle chainring and crankarm are provided for the purpose of illustrating environmental structure while all other broken lines illustrate portions of the cover. No subject matter shown in broken lines form part of the claimed design.

**1 Claim, 5 Drawing Sheets**



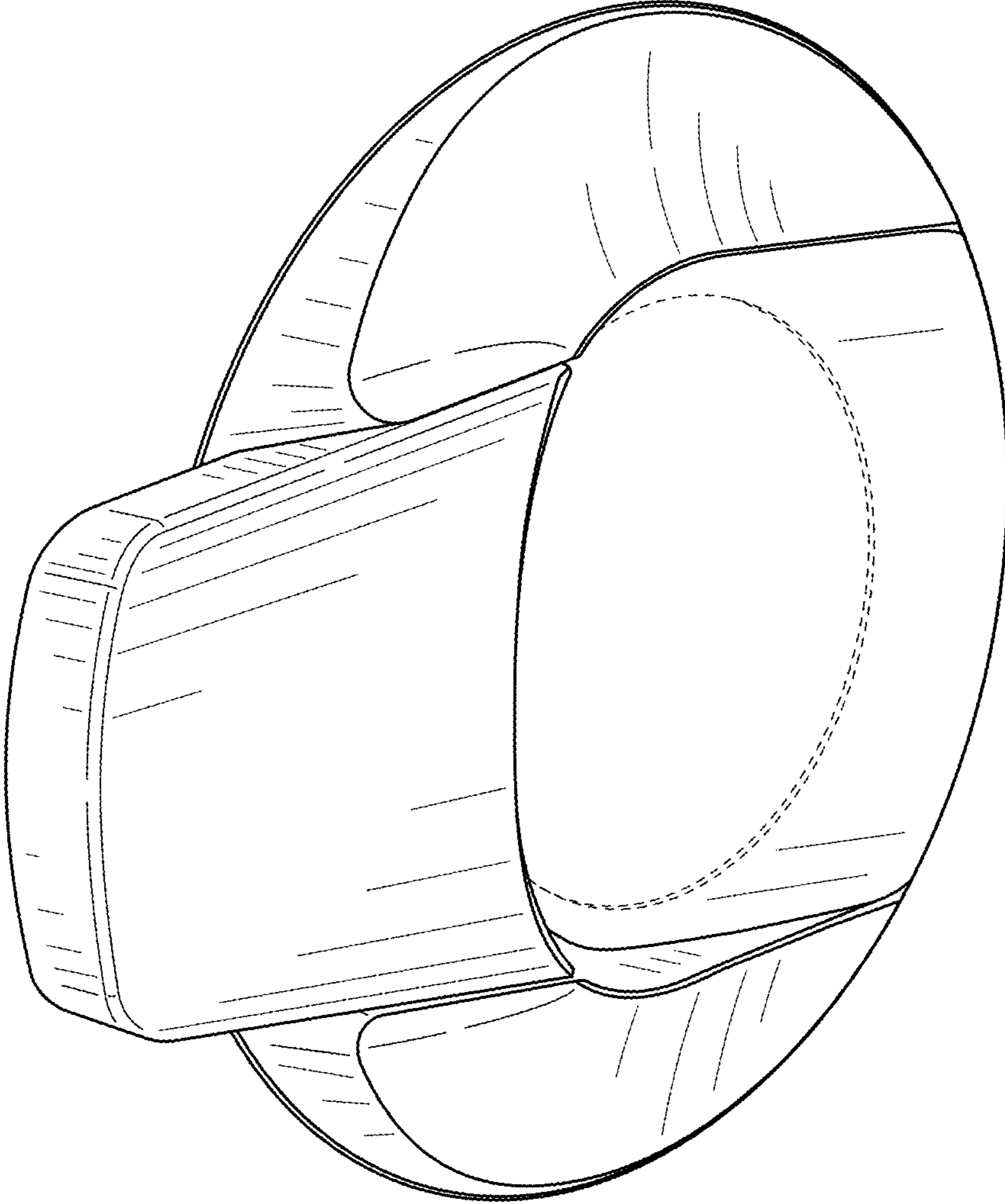


FIG . 1

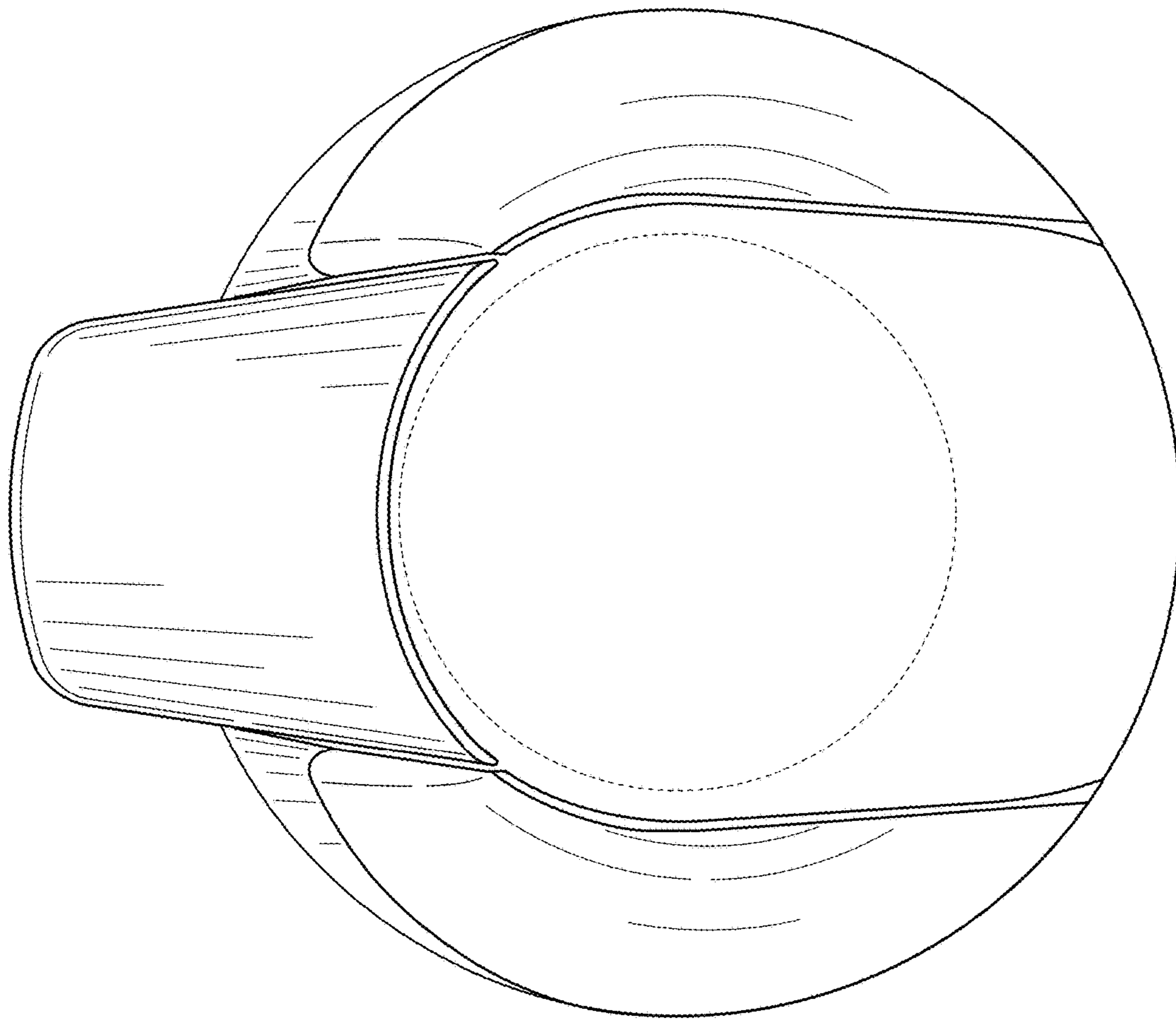


FIG . 2

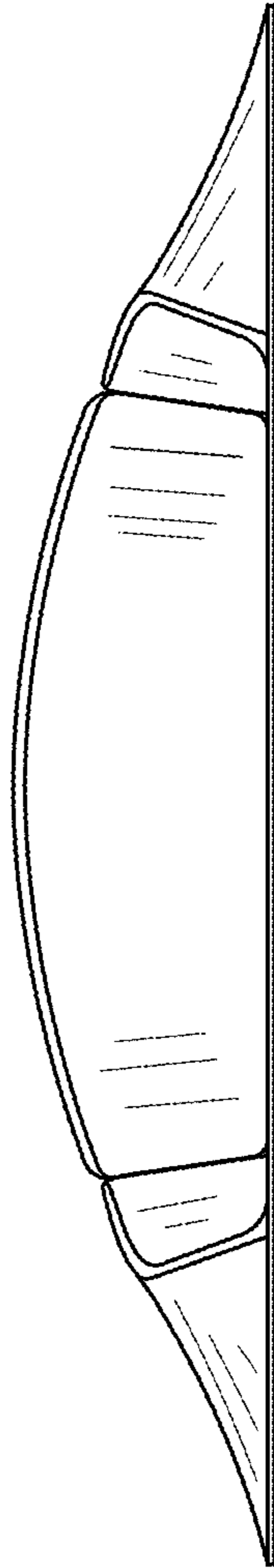


FIG . 3

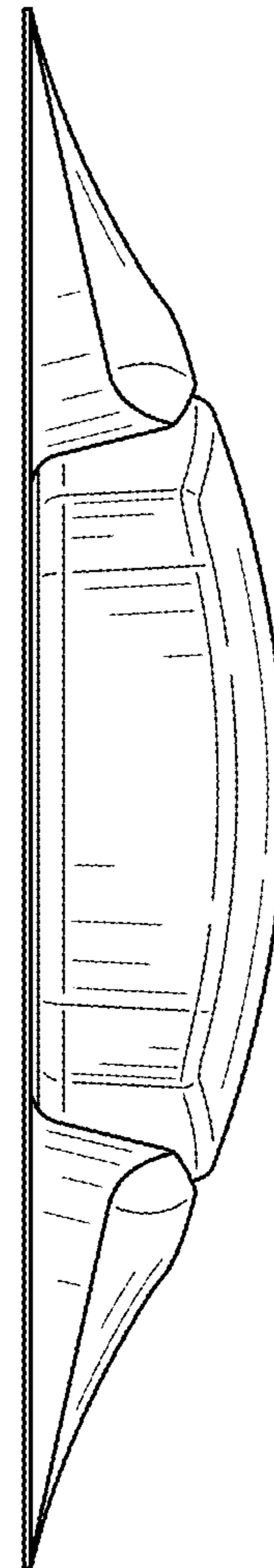


FIG . 4



FIG . 5

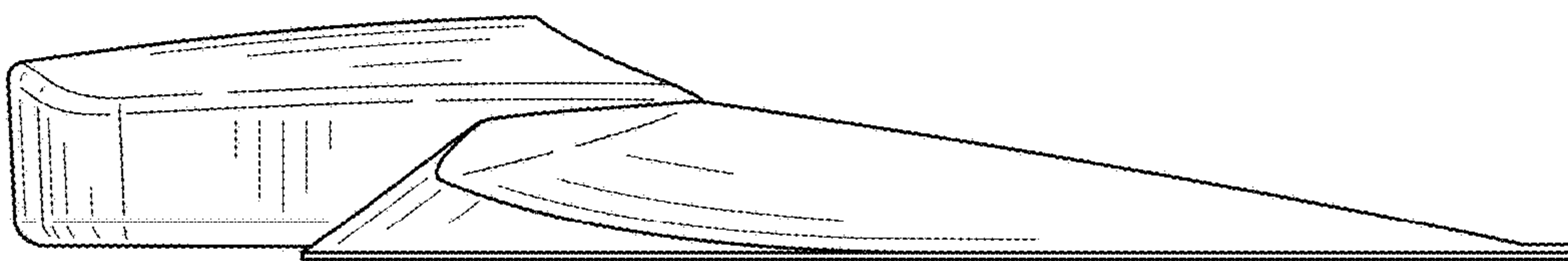


FIG . 6

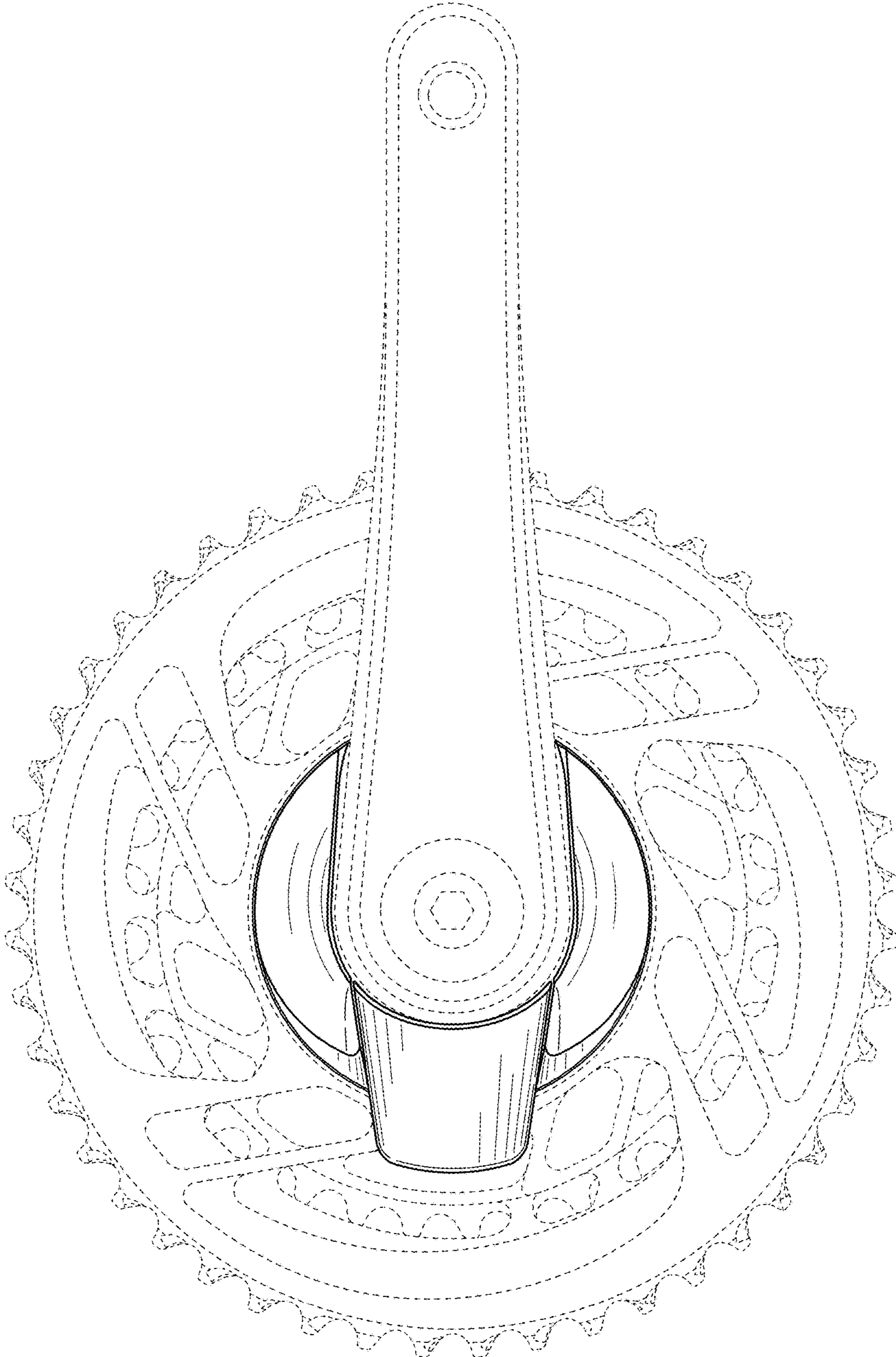


FIG. 7