



US00D861542S

(12) **United States Design Patent** (10) **Patent No.:** **US D861,542 S**  
**Weagle** (45) **Date of Patent:** **\*\* Oct. 1, 2019**

(54) **CYCLE SUSPENSION ASSEMBLY**  
(71) Applicant: **TRVSTPER, INC.**, Salt Lake City, UT (US)

783,236 A 2/1905 Ashburn  
848,324 A 3/1907 Sager  
913,961 A 3/1909 Levedahl  
(Continued)

(72) Inventor: **David Weagle**, Edgartown, MA (US)  
(73) Assignee: **TRVSTPER, INC.**, Salt Lake City, UT (US)

FOREIGN PATENT DOCUMENTS

BE 507753 A 12/1951  
CA 474575 A 6/1951  
(Continued)

(\*\*) Term: **15 Years**

OTHER PUBLICATIONS

(21) Appl. No.: **29/636,521**

Black and white photograph of Greeves trials machine, Applicant's internal files.

(22) Filed: **Feb. 8, 2018**

(Continued)

(51) **LOC (12) Cl.** ..... **12-11**

(52) **U.S. Cl.**  
USPC ..... **D12/118**

(58) **Field of Classification Search**  
USPC ..... D12/111, 117, 118  
CPC ..... B62K 21/02; B62K 21/18; B62K 25/02  
See application file for complete search history.

*Primary Examiner* — Darlington Ly  
(74) *Attorney, Agent, or Firm* — Marshall, Gerstein & Borun LLP

(57) **CLAIM**

The ornamental design for a cycle suspension assembly, as shown and described.

(56) **References Cited**

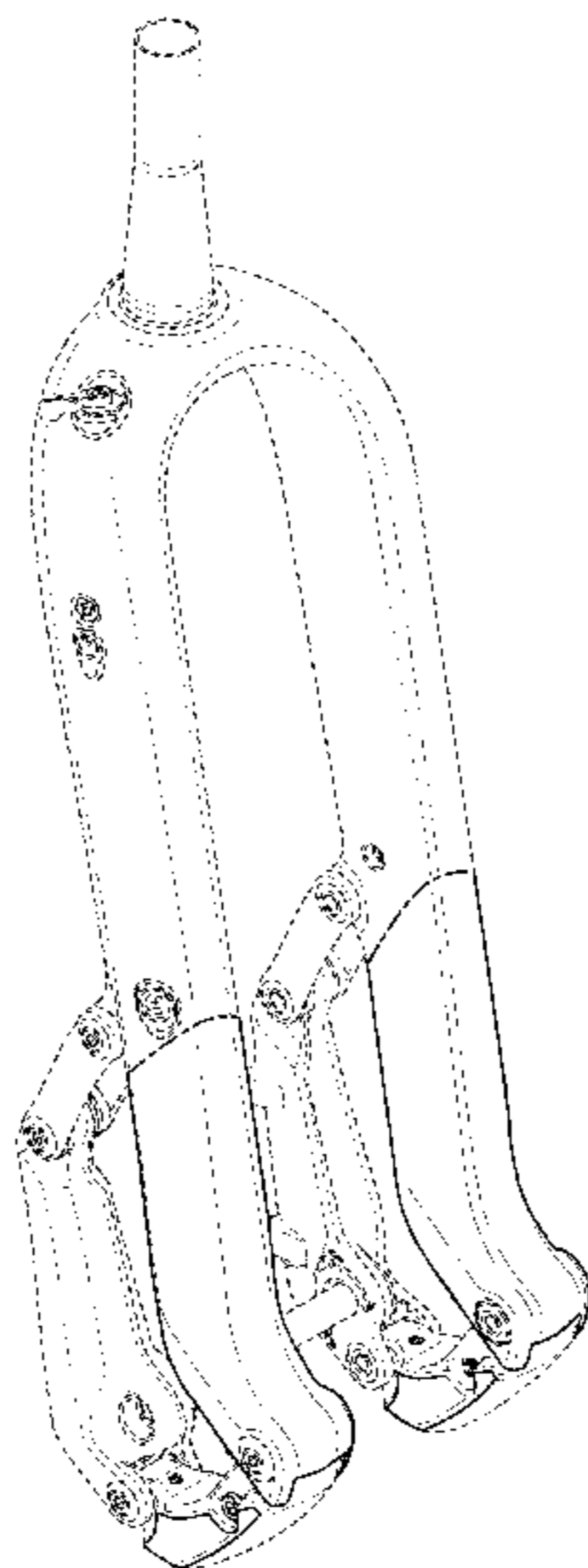
U.S. PATENT DOCUMENTS

389,200 A	9/1888	Clegg
393,387 A	11/1888	Norton
400,727 A	4/1889	Baudreau
412,322 A	10/1889	Copeland
414,048 A	10/1889	Hunter
423,471 A	3/1890	Easthope
426,402 A	4/1890	Torkelson
435,477 A	9/1890	Blackledge
441,649 A	12/1890	Dunlop
443,266 A	12/1890	Bell
444,639 A	1/1891	O'Neill
447,234 A	2/1891	Donnelly
467,794 A	1/1892	Ellis
468,643 A	2/1892	Clement
524,389 A	8/1894	La Casse
602,354 A	4/1898	Ohlgart
638,723 A	12/1899	Kelly
739,476 A	9/1903	Becker

**DESCRIPTION**

FIG. 1 is a top, front, and right side perspective view of a cycle suspension assembly showing our new design; FIG. 2 is a top, rear, and right side perspective view thereof; FIG. 3 is a front elevation view thereof; FIG. 4 is a rear elevation view thereof; FIG. 5 is a right side elevation view thereof; FIG. 6 is a left side elevation view thereof; FIG. 7 is a top plan view thereof; and, FIG. 8 is a bottom plan view thereof. The broken lines in the drawings illustrate portions of the cycle suspension assembly that form no part of the claimed design.

**1 Claim, 7 Drawing Sheets**



(56)

References Cited

U.S. PATENT DOCUMENTS

927,989 A	7/1909	Meiser	3,083,038 A	3/1963	Moulton
940,245 A	11/1909	Gates	3,133,748 A	5/1964	Gunnerson
946,143 A	1/1910	Levedahl	3,433,318 A	3/1969	Packard
953,697 A	4/1910	Kuebodeaux	3,694,004 A	9/1972	Siebers
973,071 A	10/1910	Redmond	3,701,544 A	10/1972	Stankovich
979,674 A	12/1910	Kittle et al.	3,730,553 A	5/1973	Harman
980,999 A	1/1911	Pommer	3,774,935 A	11/1973	Aldrich
989,638 A	4/1911	Pilgrim	3,942,821 A	3/1976	Bock
1,000,115 A	8/1911	Oquist	3,944,254 A	3/1976	Inui
1,036,263 A	8/1912	Kittle	3,954,284 A	5/1976	Phillips et al.
1,042,480 A	10/1912	Ridgway	3,989,261 A	11/1976	Kawaguchi
1,077,105 A	10/1913	Stewart	4,057,264 A	11/1977	Suzuki et al.
1,096,417 A	5/1914	Ekstrom	4,147,371 A	4/1979	Morita et al.
1,101,614 A	6/1914	Bramham	4,153,237 A	5/1979	Supalla
1,132,829 A	3/1915	Cobb	4,159,123 A	6/1979	Petty
1,144,753 A	6/1915	Budroe	4,162,797 A	7/1979	McBride
1,166,156 A	12/1915	Shimmin	4,170,369 A	10/1979	Strutman
1,189,874 A	7/1916	Schickel	4,179,135 A	12/1979	Slater
1,203,927 A	11/1916	Stagni	4,180,280 A	12/1979	Doveri
1,213,995 A	1/1917	Anderson	4,184,695 A	1/1980	Roe et al.
1,223,572 A	4/1917	Drew	4,186,936 A	2/1980	Offenstadt et al.
1,227,634 A	5/1917	Lake	4,189,168 A	2/1980	Courtney
1,251,992 A	1/1918	Drew	4,212,481 A	7/1980	Ribi
1,254,798 A	1/1918	Harley	4,265,329 A	5/1981	de Cortanze
1,273,179 A	7/1918	Perry et al.	4,268,055 A	5/1981	Bell
1,298,958 A	4/1919	Johnston	4,295,658 A	10/1981	Kashima
1,333,449 A	3/1920	Russell	4,367,882 A	1/1983	Alexander et al.
1,365,524 A	1/1921	Mellantine	4,388,978 A	6/1983	Fior
1,397,850 A	11/1921	Yoxall et al.	4,401,316 A	8/1983	Miyakoshi et al.
1,432,376 A	10/1922	Wolff	4,406,475 A	9/1983	Miyakoshi et al.
1,452,436 A	4/1923	Pullin	4,410,196 A	10/1983	Ribi
1,475,044 A	11/1923	Bloom	4,421,337 A	12/1983	Pratt
1,517,146 A	11/1924	Bloom	4,422,662 A	12/1983	Inoue et al.
1,527,133 A	2/1925	Harley	4,433,850 A	2/1984	Miyakoshi et al.
1,605,680 A	11/1926	Merkel	4,433,851 A	2/1984	Miyakoshi et al.
1,834,308 A	12/1931	Harley	4,437,678 A	3/1984	Schultz
1,924,363 A	8/1933	Kanai	4,438,909 A	3/1984	Matsumoto
2,038,011 A	4/1936	Spiegler et al.	4,444,406 A	4/1984	Isono
2,073,736 A	3/1937	Duffy	4,455,032 A	6/1984	Kajikawa
2,087,299 A	7/1937	Pribil	4,480,711 A	11/1984	Satoh et al.
2,160,034 A	5/1939	Schwinn	4,520,892 A	6/1985	Satoh
2,203,342 A	6/1940	Sloman	4,526,249 A	7/1985	Parker
2,233,313 A	2/1941	Hazelroth	4,531,755 A	7/1985	Isono et al.
2,271,304 A	1/1942	Mulholland	4,533,153 A	8/1985	Tsunoda et al.
2,303,568 A	12/1942	McWhorter et al.	4,540,190 A	9/1985	Moulton
2,376,788 A	5/1945	Latscher-Latka	4,542,910 A	9/1985	Watanabe
2,462,711 A	2/1949	Barnett	4,561,669 A	12/1985	Simons
2,463,310 A	3/1949	Probst	4,570,963 A	2/1986	Isono
2,464,326 A	3/1949	MacGregor	4,572,534 A	2/1986	Heyl
2,475,774 A	7/1949	Benson	4,576,393 A	3/1986	Moulton et al.
2,485,484 A	10/1949	Dean	4,585,245 A	4/1986	Rose
2,486,430 A	11/1949	Moore	4,616,810 A	10/1986	Richardson et al.
2,489,821 A	11/1949	Ryder	4,625,985 A	12/1986	Nakano et al.
2,504,452 A	4/1950	Rostan	4,650,027 A	3/1987	de Cortanze
2,525,171 A	10/1950	Franks	4,660,683 A	4/1987	Hayashi et al.
2,537,679 A	1/1951	Kraeft	4,662,645 A *	5/1987	McMurtrey ..... B62K 21/02 280/279
2,540,585 A	2/1951	Kranz	4,685,694 A	8/1987	Kouyama
2,543,991 A	3/1951	Schuricht	4,702,338 A	10/1987	Trema
2,550,876 A	5/1951	Spencer	4,703,839 A	11/1987	Yasuo et al.
2,561,156 A	7/1951	Thorkildsen	4,723,621 A	2/1988	Kawano et al.
2,588,889 A	3/1952	Sherwood	4,732,241 A	3/1988	Yoshida
2,596,411 A	5/1952	Jordan	4,738,468 A	4/1988	Baron
2,636,567 A	4/1953	Landrum	4,741,545 A	5/1988	Honma et al.
2,649,312 A	8/1953	Miller	4,742,884 A	5/1988	Ishikawa
2,660,455 A	11/1953	Douglas et al.	4,744,434 A	5/1988	Miyakoshi et al.
2,708,112 A	5/1955	Seddon et al.	4,770,434 A	9/1988	Pietro et al.
2,729,465 A	1/1956	Torre	4,775,163 A	10/1988	McGowan et al.
2,751,991 A	6/1956	Mennesson	4,776,609 A	10/1988	Pan et al.
2,752,167 A	6/1956	Propst et al.	4,789,174 A	12/1988	Lawwill
2,756,070 A	7/1956	Torre	4,807,898 A	2/1989	Huntly
2,756,832 A	7/1956	Dalrymple	4,809,802 A	3/1989	Seino et al.
2,918,306 A	12/1959	Lewandoski	4,815,763 A	3/1989	Hartmann
2,953,395 A	9/1960	Turner	4,828,069 A	5/1989	Hatsuyama
2,969,992 A	1/1961	Hahn	4,834,412 A	5/1989	Trema
2,976,056 A	3/1961	Henry	4,878,558 A	11/1989	Asakura
			4,881,750 A	11/1989	Hartmann
			4,890,857 A	1/1990	de Cortanze
			4,971,344 A	11/1990	Turner

(56)

References Cited

U.S. PATENT DOCUMENTS

4,993,734 A 2/1991 Trema  
 4,997,197 A 3/1991 Shultz  
 5,009,451 A 4/1991 Hayashi et al.  
 5,042,608 A 8/1991 Horiike et al.  
 5,050,699 A 9/1991 Savard  
 5,064,212 A 11/1991 Yun  
 5,069,303 A 12/1991 Fuller  
 5,069,467 A 12/1991 Claudio  
 5,088,705 A 2/1992 Tsai  
 D326,249 S \* 5/1992 Chance ..... D12/118  
 5,133,223 A 7/1992 Morri  
 5,156,231 A 10/1992 Trema  
 5,186,481 A 2/1993 Turner  
 5,193,832 A 3/1993 Wilson et al.  
 5,193,833 A 3/1993 Reisinger  
 5,195,766 A 3/1993 Dohrmann et al.  
 5,219,211 A 6/1993 Tsuchida et al.  
 5,248,159 A 9/1993 Moore  
 D340,434 S \* 10/1993 Hammer ..... D12/118  
 5,249,650 A 10/1993 Tanaka  
 5,269,549 A 12/1993 Wilson et al.  
 5,284,352 A 2/1994 Chen  
 5,299,820 A 4/1994 Lawwill  
 5,308,099 A 5/1994 Browning  
 5,310,203 A 5/1994 Chen  
 5,320,374 A 6/1994 Farris et al.  
 5,328,196 A 7/1994 Ohma  
 5,350,185 A 9/1994 Robinson  
 5,354,085 A 10/1994 Gally  
 5,359,910 A 11/1994 Chang et al.  
 5,361,864 A 11/1994 Tanaka  
 5,380,026 A 1/1995 Robinson  
 5,403,028 A 4/1995 Trimble  
 5,405,159 A 4/1995 Klein et al.  
 5,409,248 A 4/1995 Williams  
 5,413,368 A 5/1995 Pong et al.  
 5,417,446 A 5/1995 Pileggi  
 5,427,208 A 6/1995 Motobu et al.  
 5,427,397 A 6/1995 Chonan  
 5,429,380 A 7/1995 Lawwill  
 5,431,426 A 7/1995 Ijams et al.  
 5,441,291 A 8/1995 Girvin, III  
 5,449,155 A 9/1995 MacK  
 5,456,480 A 10/1995 Turner et al.  
 5,462,302 A 10/1995 Leitner  
 D368,054 S \* 3/1996 Behrens ..... D12/118  
 5,498,013 A 3/1996 Hwang  
 5,509,674 A 4/1996 Browning  
 5,509,676 A 4/1996 Fukutake et al.  
 5,564,534 A 10/1996 Toyoda et al.  
 5,599,034 A 2/1997 Brigden  
 5,743,547 A 4/1998 Voss et al.  
 5,749,590 A 5/1998 Roerig  
 5,782,313 A 7/1998 Kurawaki et al.  
 5,799,963 A 9/1998 Berkmann  
 5,813,684 A 9/1998 Baron  
 5,829,773 A 11/1998 Rajae  
 5,855,388 A 1/1999 Brewer  
 5,899,478 A 5/1999 Woodside  
 D411,147 S \* 6/1999 Tsai ..... D12/118  
 5,908,200 A 6/1999 Stewart  
 5,931,487 A 8/1999 Koppelberg et al.  
 5,931,489 A 8/1999 Damman et al.  
 5,951,033 A 9/1999 Winter et al.  
 D415,449 S \* 10/1999 Tsai ..... D12/118  
 6,017,047 A 1/2000 Hoose  
 6,036,211 A 3/2000 Nohr  
 6,047,981 A 4/2000 Burrows  
 6,089,585 A 7/2000 Theobald  
 6,149,173 A 11/2000 Bynoe  
 6,152,472 A 11/2000 Woodside  
 6,155,370 A 12/2000 Iwai et al.  
 6,164,424 A 12/2000 Girvin et al.  
 6,164,675 A 12/2000 Pickering  
 6,199,885 B1 3/2001 Seidl

6,244,609 B1 6/2001 Wilson  
 6,260,869 B1 7/2001 Hanlon et al.  
 6,260,870 B1 7/2001 Fan  
 6,263,994 B1 7/2001 Eitel  
 6,336,647 B1 1/2002 Iwai et al.  
 6,352,276 B1 \* 3/2002 Hill ..... B62K 21/02  
 280/279  
 6,357,775 B1 3/2002 Iwai et al.  
 6,371,263 B1 4/2002 Hoose  
 6,382,374 B1 5/2002 Iwai et al.  
 6,386,567 B1 5/2002 Schonfeld  
 6,402,175 B1 6/2002 Jansson  
 D464,003 S \* 10/2002 Chen ..... D12/118  
 6,457,732 B2 10/2002 Ito et al.  
 6,485,043 B2 11/2002 Ito et al.  
 6,488,300 B2 12/2002 Ito et al.  
 D470,440 S \* 2/2003 Rose ..... D12/118  
 6,517,095 B1 2/2003 Lansac et al.  
 6,517,096 B2 2/2003 Yih  
 6,533,305 B1 3/2003 Falk  
 D494,108 S \* 8/2004 Liao ..... D12/118  
 6,783,140 B1 8/2004 Huang  
 6,789,810 B2 9/2004 Strong  
 6,896,276 B1 5/2005 Sparrow  
 D506,708 S \* 6/2005 Conte ..... D12/118  
 6,908,092 B2 6/2005 Kofuji et al.  
 6,910,702 B1 6/2005 Hals  
 6,918,605 B2 7/2005 Wada et al.  
 6,994,365 B2 2/2006 Kofuji  
 7,011,325 B2 3/2006 Kinzler et al.  
 D521,420 S \* 5/2006 Cobb ..... D12/118  
 7,140,627 B2 11/2006 Wimmer  
 7,159,883 B2 1/2007 Mydlarz  
 D542,718 S \* 5/2007 Costa ..... D12/118  
 7,210,695 B2 5/2007 Griffiths  
 7,331,594 B2 2/2008 Wimmer  
 7,350,787 B2 4/2008 Voss  
 7,364,178 B2 4/2008 Wimmer  
 7,425,008 B2 9/2008 Pokrywka  
 7,425,009 B2 9/2008 Namazue et al.  
 7,434,823 B2 10/2008 Robinson et al.  
 7,441,622 B2 10/2008 Costa  
 7,591,474 B1 \* 9/2009 French ..... B62K 21/02  
 280/279  
 7,635,141 B2 12/2009 O'Connor  
 7,699,330 B2 4/2010 Chen  
 7,708,296 B2 5/2010 Becker et al.  
 7,744,107 B2 6/2010 Chen  
 7,887,077 B2 2/2011 Thiers  
 7,896,379 B2 3/2011 Nagao et al.  
 D675,132 S \* 1/2013 Colp ..... D12/118  
 8,448,970 B1 \* 5/2013 Vardon ..... B62K 25/16  
 280/276  
 8,534,692 B2 \* 9/2013 Trebichavsky ..... B62K 25/24  
 280/277  
 8,672,106 B2 \* 3/2014 Laird ..... B62K 25/08  
 188/275  
 8,939,458 B2 \* 1/2015 Nesbitt, III ..... B62K 25/24  
 280/276  
 9,248,883 B2 \* 2/2016 D'Aluisio ..... B62K 21/02  
 D774,986 S \* 12/2016 Salvioli Mariani ..... D12/118  
 9,758,210 B2 \* 9/2017 Pye ..... B62K 25/08  
 9,988,124 B2 \* 6/2018 Kwaterski ..... B62K 25/08  
 10,196,106 B1 \* 2/2019 Weagle ..... B62K 25/08  
 2001/0019197 A1 9/2001 Ito et al.  
 2002/0084619 A1 7/2002 Odom  
 2004/0036250 A1 2/2004 Kofuji  
 2007/0257466 A1 \* 11/2007 Murphy ..... B62K 19/16  
 280/276  
 2008/0258424 A1 10/2008 Paul  
 2008/0296863 A1 12/2008 Heyl et al.  
 2008/0303242 A1 12/2008 O'Connor  
 2011/0012321 A1 1/2011 Chen

FOREIGN PATENT DOCUMENTS

CH 63758 A 2/1914  
 CN 302966622 S 10/2014

(56)

References Cited

FOREIGN PATENT DOCUMENTS

CN 303438302 S 11/2015  
 CN 303584666 S 2/2016  
 CN 303604532 S 3/2016  
 CN 304240449 S 8/2017  
 CN 304327156 S 10/2017  
 DE 1084599 B 6/1960  
 DE 1122392 B 1/1962  
 DE 3133576 A1 5/1983  
 DE 3223728 A1 12/1983  
 DE 8906328 U1 11/1989  
 DE 3833880 A1 4/1990  
 DE 4119339 A1 1/1992  
 DE 9404873 U1 5/1994  
 DE 9403640 U1 6/1994  
 DE 9414705 U1 2/1995  
 DE 19503047 A1 8/1996  
 DE 19635939 A1 6/1997  
 DE 19633692 A1 2/1998  
 DK 49600 C 12/1934  
 EP 0032170 B1 2/1986  
 EP 0030306 B1 4/1986  
 EP 0125244 B1 1/1987  
 EP 0399615 A2 11/1990  
 EP 420610 B1 2/1996  
 EP 726198 A2 8/1996  
 EP 0731017 B1 10/1997  
 EP 0941916 A1 9/1999  
 EP 0992374 A1 4/2000  
 EP 1049618 B1 9/2003  
 EP 728093 B2 11/2005  
 EP 02000398 A2 12/2008  
 EP 01884455 B1 4/2009  
 EP 2096024 A1 9/2009  
 EP 2100807 A1 9/2009  
 EP 2357098 A2 8/2011  
 EP 02001733 B1 12/2012  
 EP 2483141 B1 11/2013  
 EP 02913257 A1 9/2015  
 FR 347724 A 3/1905  
 FR 353990 A 9/1905  
 FR 350269 A 12/1905  
 FR 376759 A 8/1907  
 FR 467213 A 6/1914  
 FR 547006 A 11/1922  
 FR 559088 A 9/1923  
 FR 28240 E 1/1925  
 FR 636211 A 4/1928  
 FR 902973 A 9/1945  
 FR 972653 A 2/1951  
 FR 1030006 A 6/1953  
 FR 1032268 A 6/1953  
 FR 1059922 A 3/1954  
 FR 1064265 A 5/1954  
 FR 1067221 A 6/1954  
 FR 1082316 A 12/1954  
 FR 2418742 A1 9/1979  
 FR 2494208 A2 5/1982  
 FR 2687976 A1 9/1993  
 FR 2687976 B1 5/1994  
 FR 3004415 A1 10/2014

GB 166065 A 7/1921  
 GB 223638 A 10/1924  
 GB 238069 A 8/1925  
 GB 239848 A 12/1925  
 GB 258141 A 9/1926  
 GB 264003 A 1/1927  
 GB 279630 A 11/1927  
 GB 302026 A 12/1928  
 GB 322370 A 12/1929  
 GB 469697 A 7/1937  
 GB 585122 A 1/1947  
 GB 585904 A 2/1947  
 GB 586372 A 3/1947  
 GB 691551 A 5/1953  
 GB 717259 A 10/1954  
 GB 720093 A 12/1954  
 GB 824866 A 12/1959  
 GB 841523 A 7/1960  
 GB 1540824 A 2/1979  
 GB 1545403 A 5/1979  
 GB 2038736 A 7/1980  
 GB 2052407 A 1/1981  
 GB 2073680 A 10/1981  
 GB 2106843 A 4/1983  
 JP 63-112191 U 7/1988  
 JP 649887 U 1/1989  
 JP 1204884 A 8/1989  
 JP 5069875 A 3/1993  
 JP 05-020635 Y2 5/1993  
 JP 1999091671 A 4/1999  
 JP 2000159170 A 6/2000  
 JP 2000159171 A 6/2000  
 JP 2000159177 A 6/2000  
 JP 2000159178 A 6/2000  
 JP 2000168666 A 6/2000  
 TW 416920 B 1/2001  
 TW 568054 U 12/2003  
 TW 596028 6/2004  
 TW D111693 7/2006  
 TW M335458 U 7/2008  
 TW M354565 U 4/2009  
 TW D140125 4/2011  
 TW D149623 10/2012  
 WO WO-82/00445 A1 2/1982  
 WO WO-84/00526 A1 2/1984  
 WO WO-87/01670 A1 3/1987  
 WO WO-95/23728 A1 9/1995  
 WO WO-97/46443 A1 12/1997  
 WO WO-00/013961 A1 3/2000

OTHER PUBLICATIONS

Black and white photograph of Scorpion motorcycle, Applicant's internal files.  
 Black and white photograph of Silencer motorcycle, Applicant's internal files.  
 Color Photograph of a Cotton TC-70 motorcycle, Applicant's internal files.  
 Color photograph of Armstrong bicycle, Applicant's Internal Files.  
 Color photograph of Armstrong motor cycle, Applicant's internal files.

\* cited by examiner

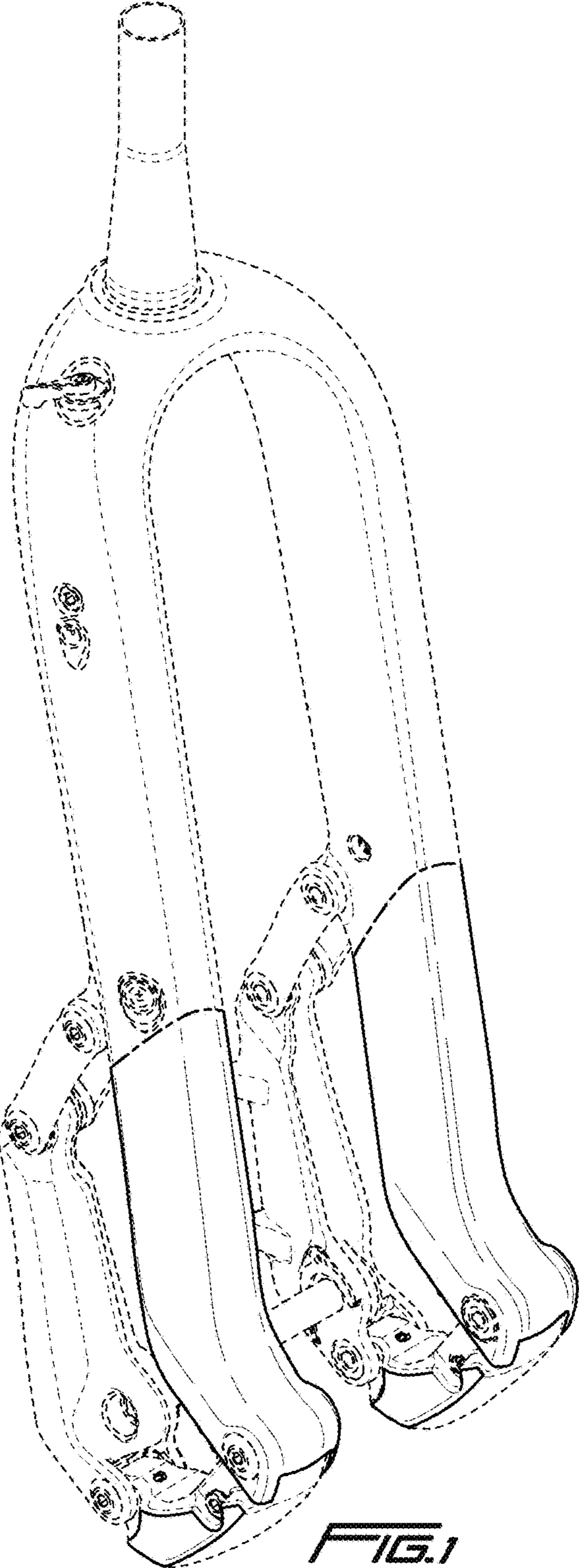
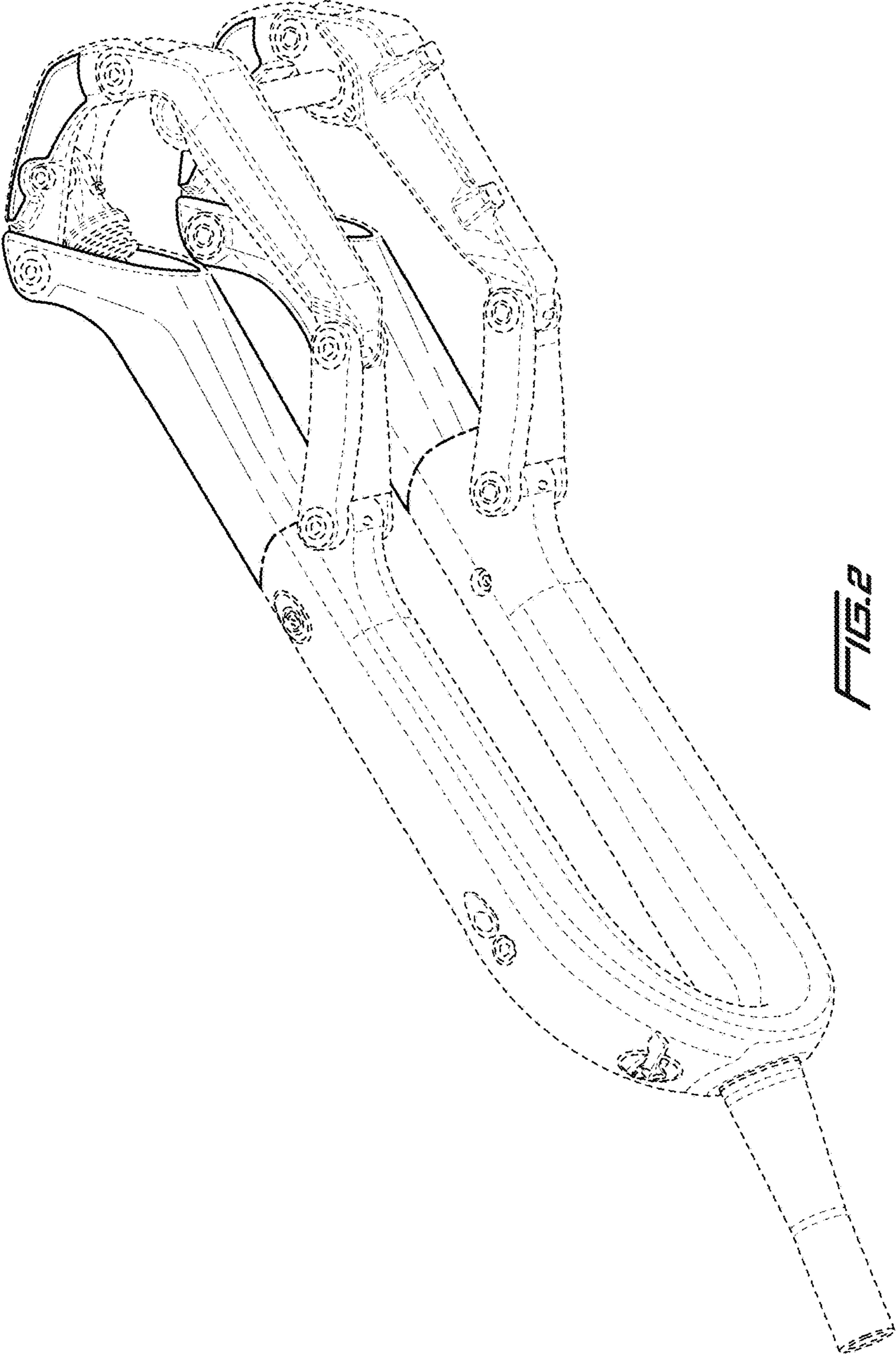
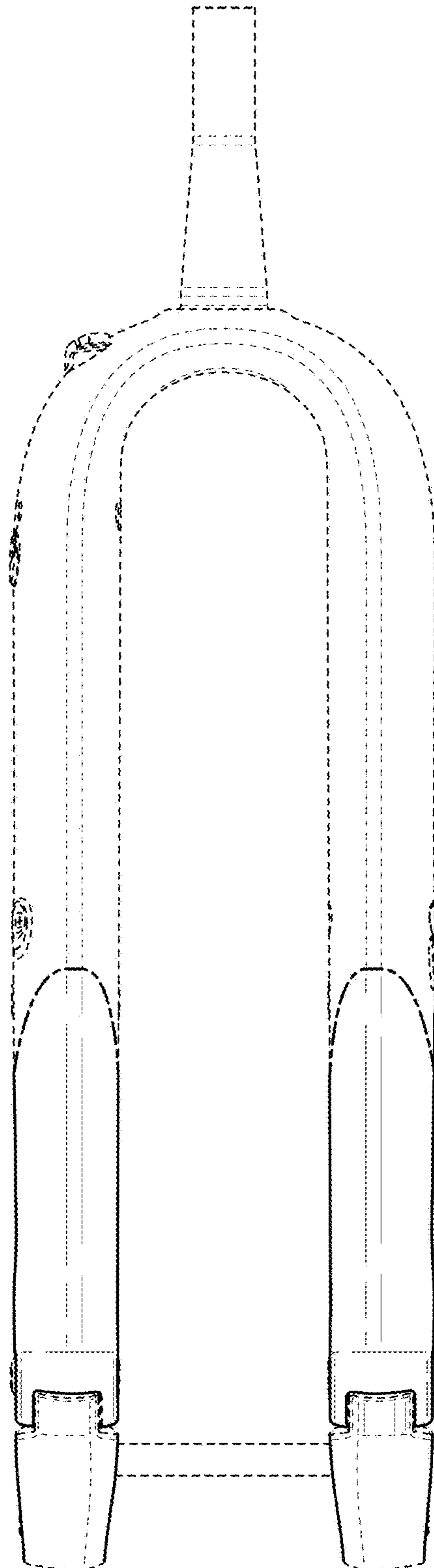
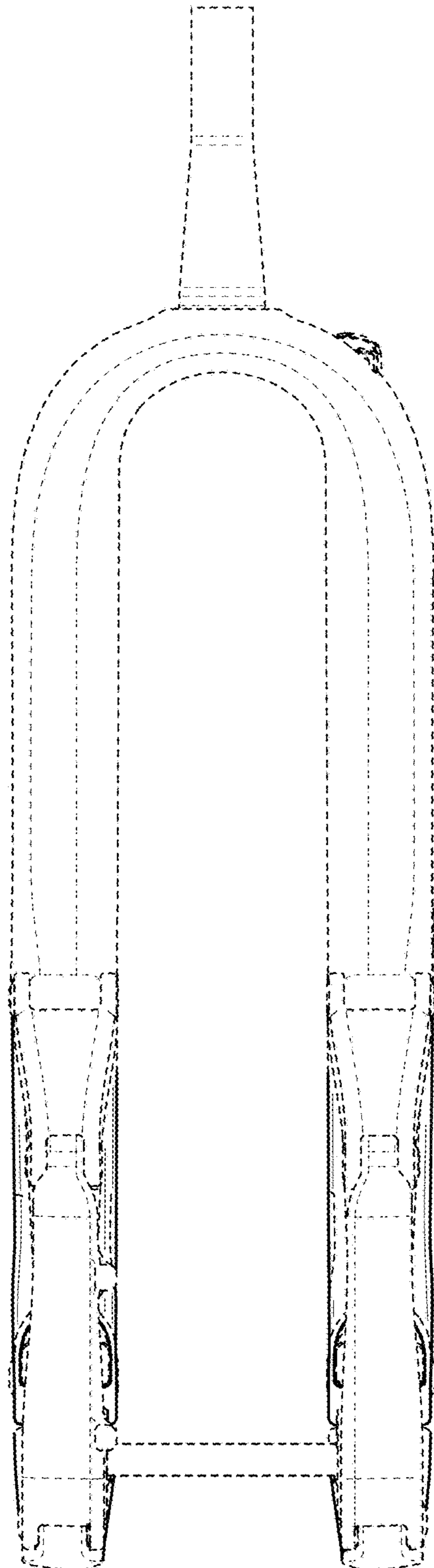


FIG. 1



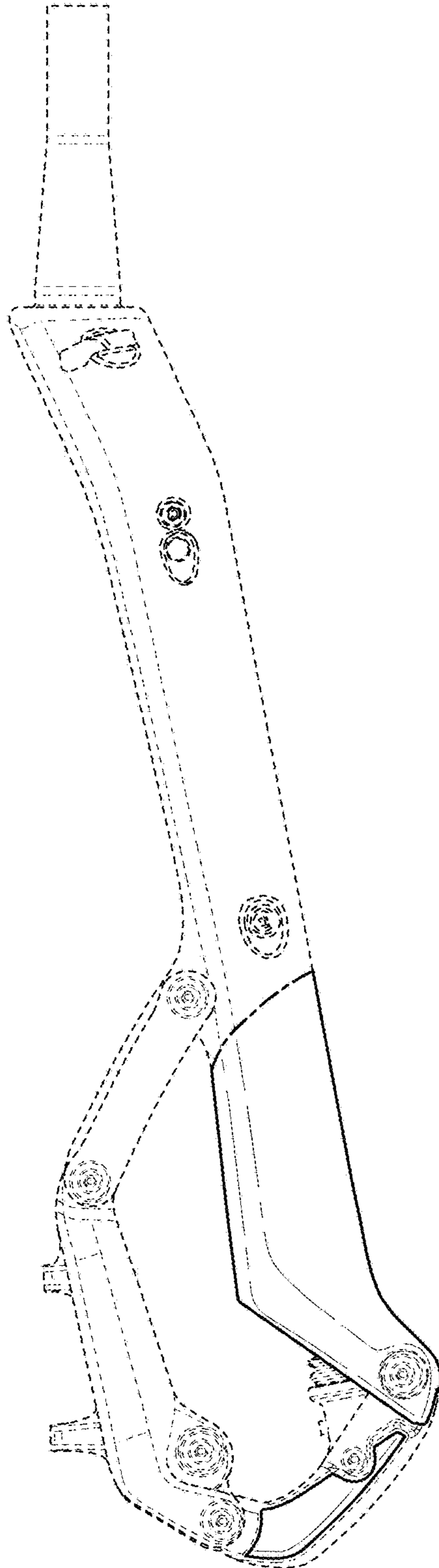


*FIG. 3*

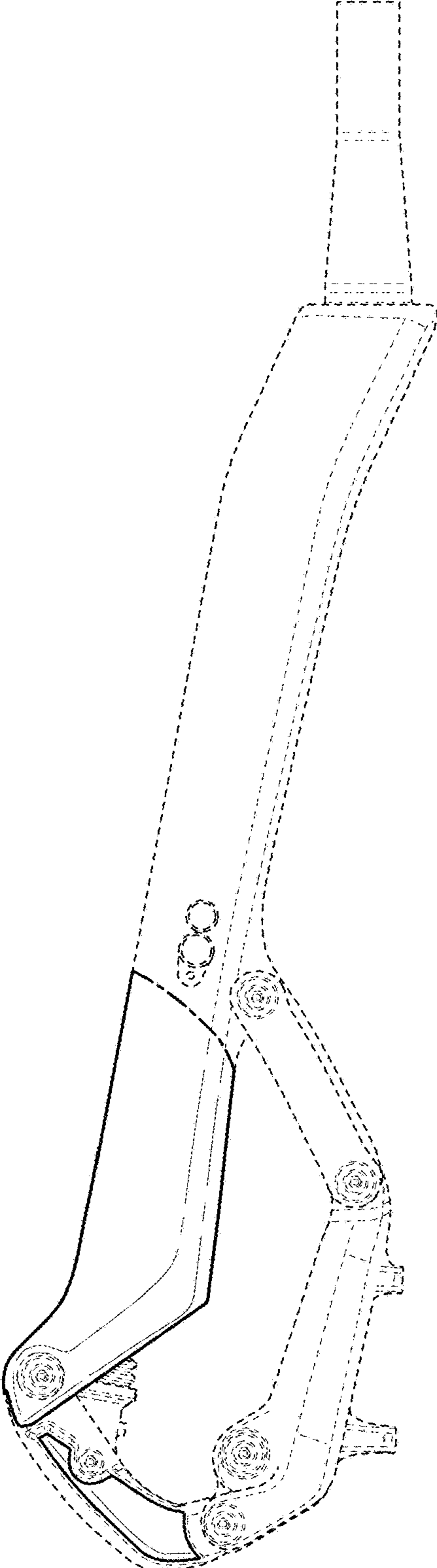


*FIG. 4*

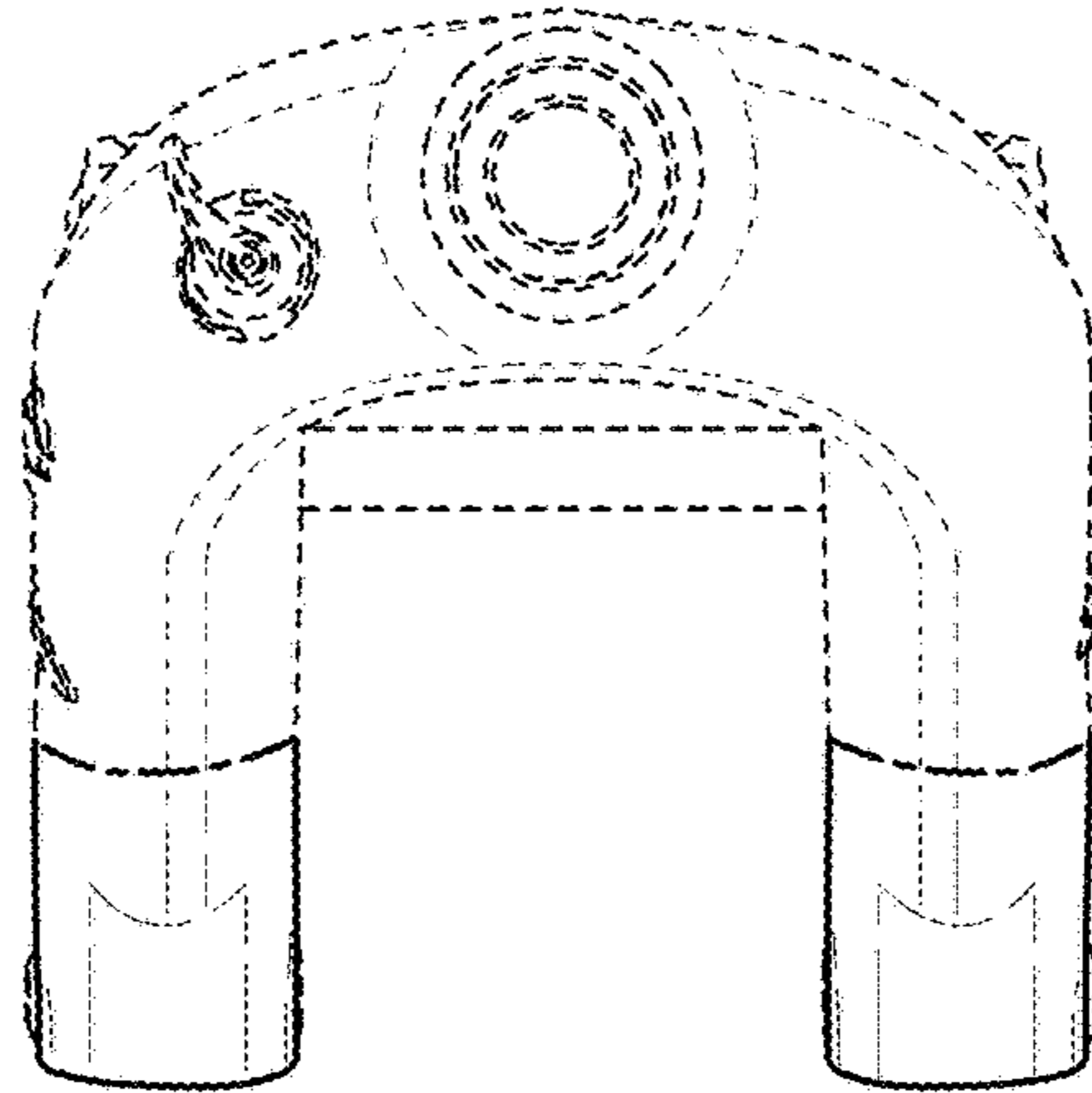




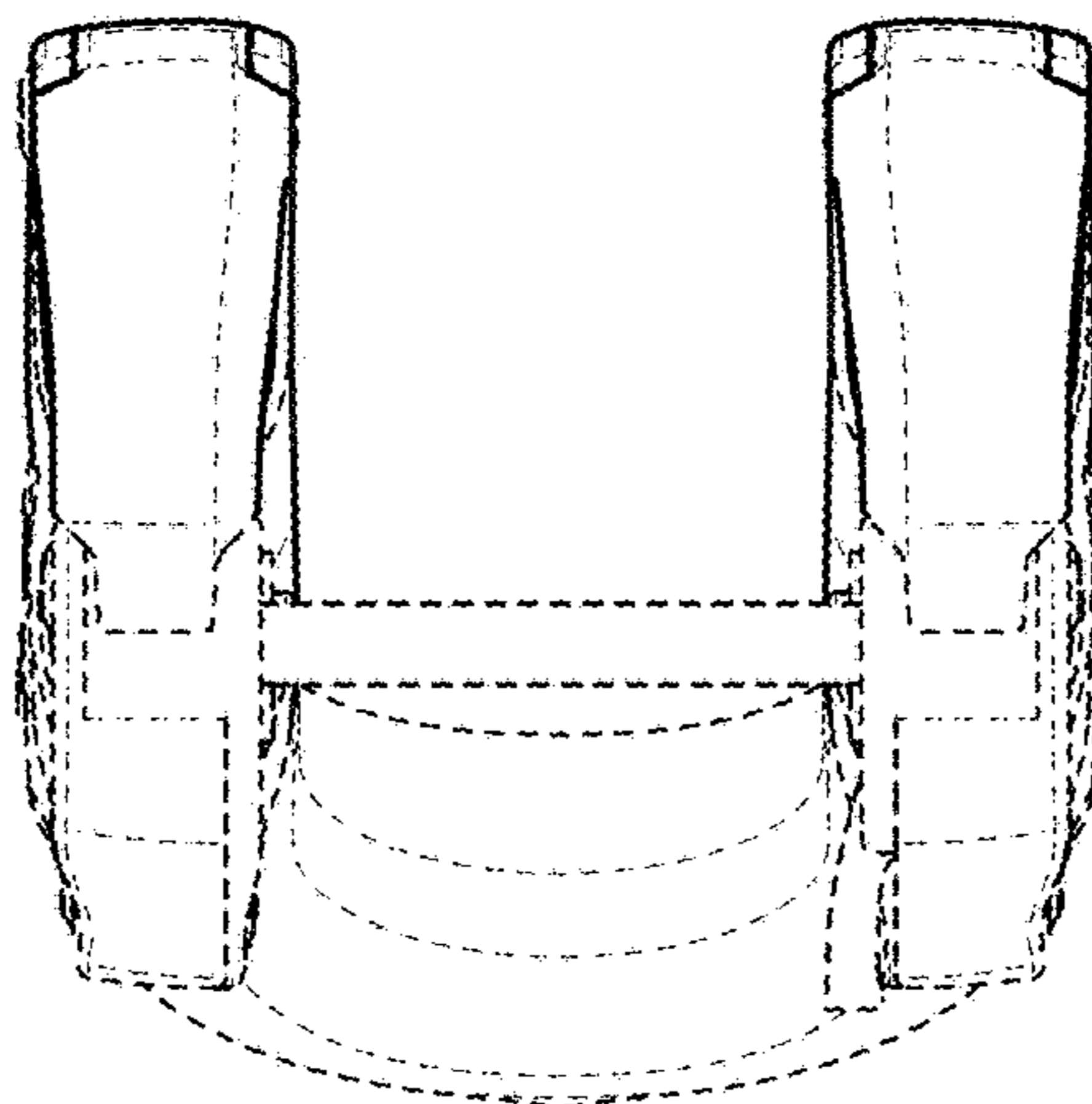
**FIG. 5**



**FIG. 6**



*FIG. 7*



*FIG. 8*