



US00D861541S

(12) **United States Design Patent** (10) **Patent No.:** **US D861,541 S**  
**Yan** (45) **Date of Patent:** **\*\* Oct. 1, 2019**

(54) **RECHARGEABLE BICYCLE PHONE MOUNT**  
(71) Applicant: **Shenzhen Grandshine Technology Co., Ltd., Shenzhen (CN)**  
(72) Inventor: **Xuedong Yan, Shenzhen (CN)**  
(\*\*) Term: **15 Years**  
(21) Appl. No.: **29/635,108**  
(22) Filed: **Jan. 28, 2018**  
(51) **LOC (12) Cl.** ..... **12-11**  
(52) **U.S. Cl.**  
USPC ..... **D12/114; D14/253**  
(58) **Field of Classification Search**  
USPC ..... D12/114, 400, 407, 415, 177, 178, 223;  
D14/253, 252, 251, 447, 432  
CPC ..... A45F 5/00; B62J 11/00; B62J 2099/0013;  
B62J 2099/002; B62J 2099/004; B62J  
2099/0026  
See application file for complete search history.

(56) **References Cited**

**U.S. PATENT DOCUMENTS**

D391,265 S *	2/1998	Richter	.....	D14/253
D411,542 S *	6/1999	Richter	.....	D14/253
D411,543 S *	6/1999	Richter	.....	D14/253
D415,771 S *	10/1999	Richter	.....	D14/253
D522,843 S *	6/2006	Richter	.....	D8/363
D529,905 S *	10/2006	Richter	.....	D14/253
D535,988 S *	1/2007	Kettula	.....	D14/253
D544,487 S *	6/2007	Hussaini	.....	D14/434
D559,227 S *	1/2008	Kim	.....	D14/155
D685,379 S *	7/2013	Richter	.....	D14/253
D685,380 S *	7/2013	Richter	.....	D14/253
D707,672 S *	6/2014	Lai	.....	D14/253
D731,973 S *	6/2015	Liu	.....	D13/144

D732,013 S *	6/2015	Aspinall	.....	D14/253
D744,473 S *	12/2015	Tsai	.....	D14/251
D750,612 S *	3/2016	Chen	.....	D14/253
D752,571 S *	3/2016	Richter	.....	D14/253
D766,908 S *	9/2016	Richter	.....	D14/447
D772,218 S *	11/2016	Alesi	.....	D14/253
D772,220 S *	11/2016	Daniels	.....	D12/114
D777,675 S *	1/2017	Miller	.....	D13/144
D780,743 S *	3/2017	Chun	.....	D14/253
2002/0191782 A1 *	12/2002	Beger	.....	H04M 1/04 379/454
2008/0242154 A1 *	10/2008	Dixon	.....	H01R 13/6633 439/638
2011/0073743 A1 *	3/2011	Shamie	.....	B60R 11/02 248/537
2014/0009900 A1 *	1/2014	Yeo	.....	H04B 1/3888 361/809

\* cited by examiner

*Primary Examiner* — Michelle E. Wilson  
*Assistant Examiner* — Clese Moore, Jr.  
(74) *Attorney, Agent, or Firm* — Erson IP (Nelson IP)

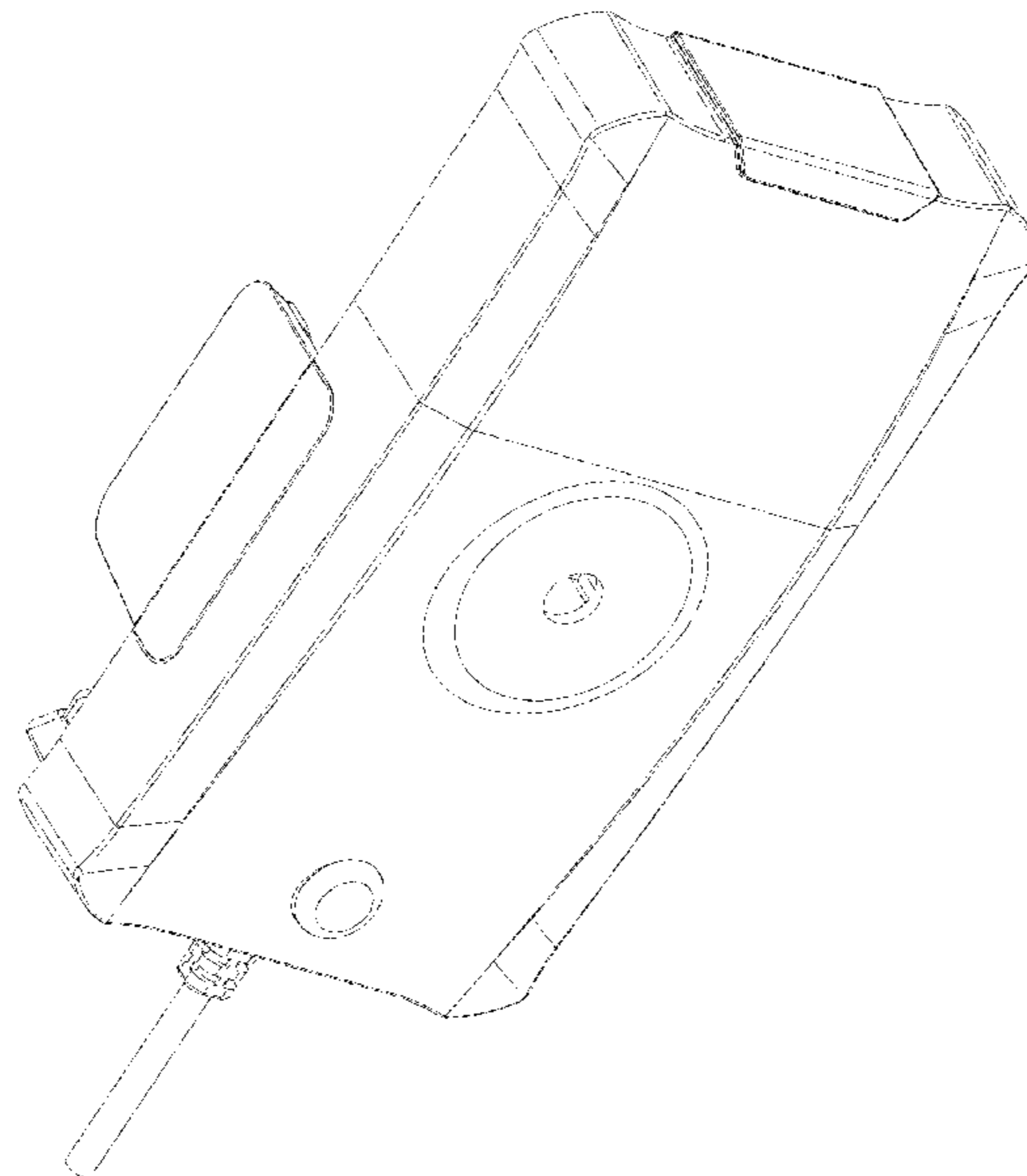
(57) **CLAIM**

The ornamental design for a rechargeable bicycle phone mount, as shown and described.

**DESCRIPTION**

FIG. 1 is a perspective view of a rechargeable bicycle phone mount showing my design;  
FIG. 2 is another perspective view showing my design;  
FIG. 3 is a front view showing my design;  
FIG. 4 is a back view showing my design;  
FIG. 5 is a left side view showing my design;  
FIG. 6 is a right side view showing my design;  
FIG. 7 is a top plan view showing my design; and,  
FIG. 8 is a bottom plan view showing my design.

**1 Claim, 8 Drawing Sheets**



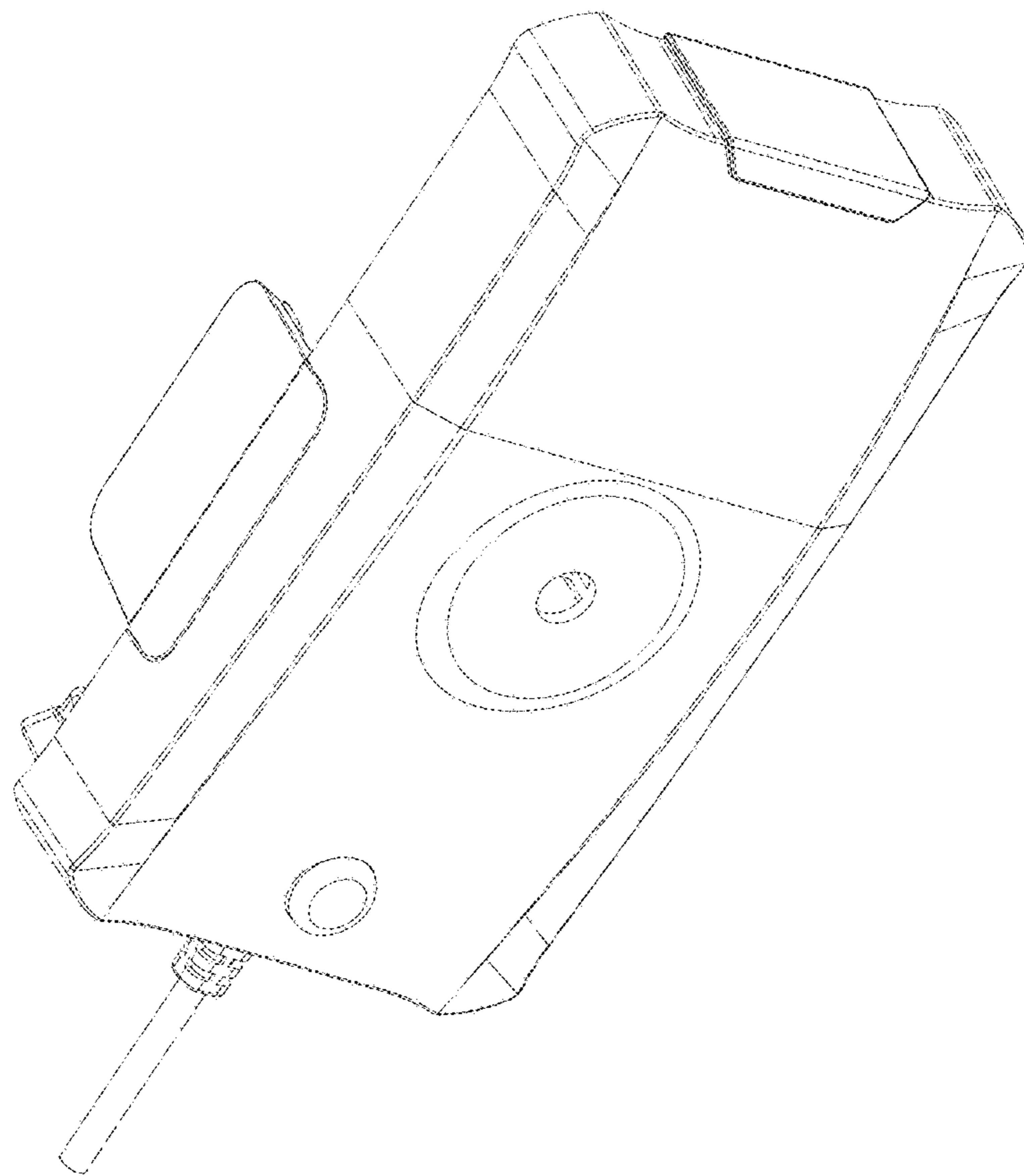


Fig. 1

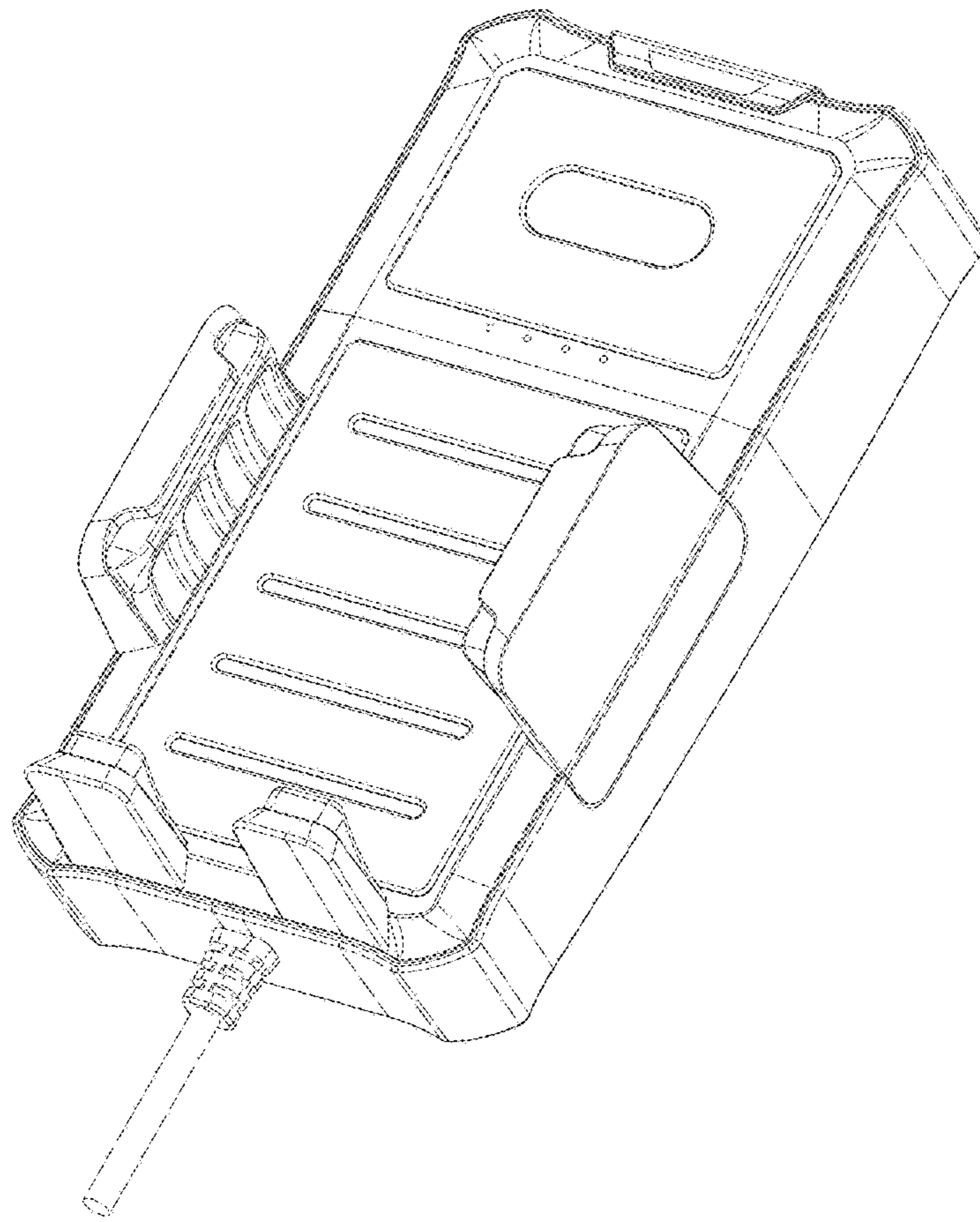


Fig. 2

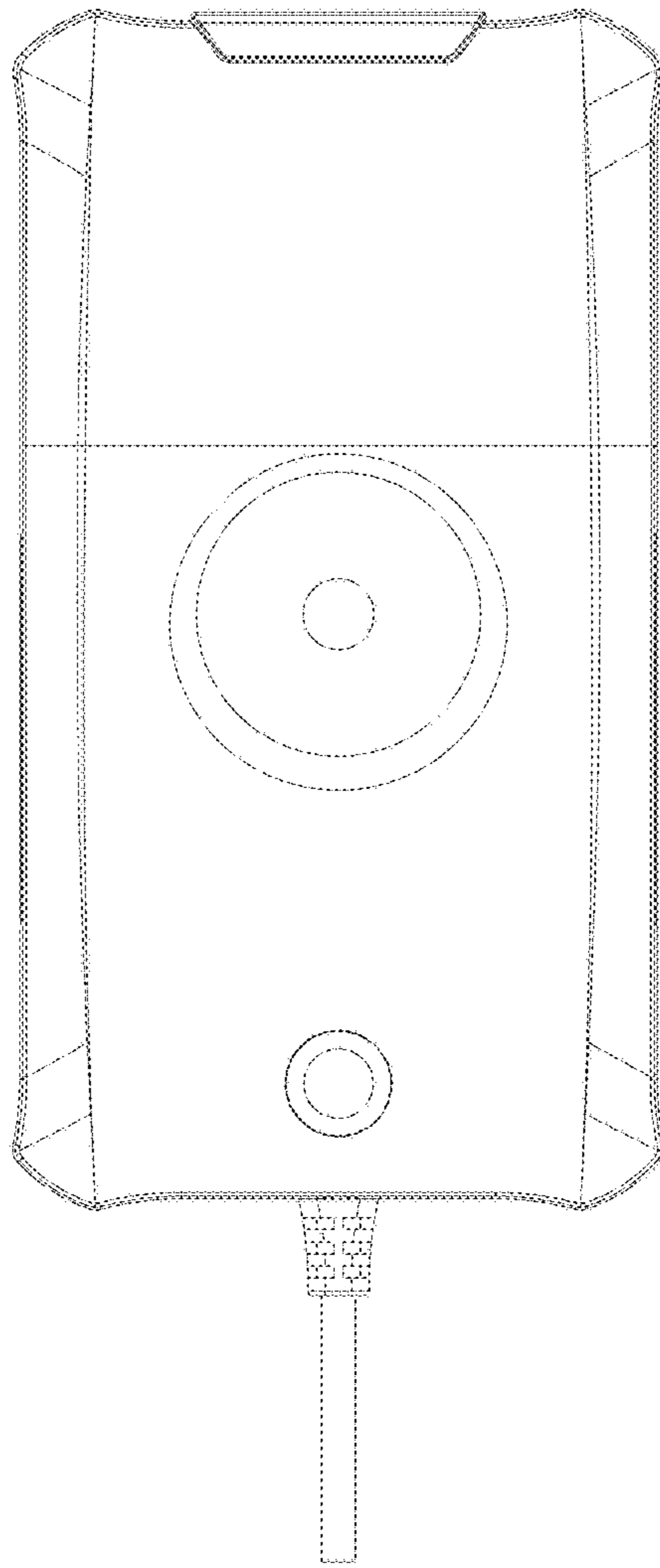


Fig. 3

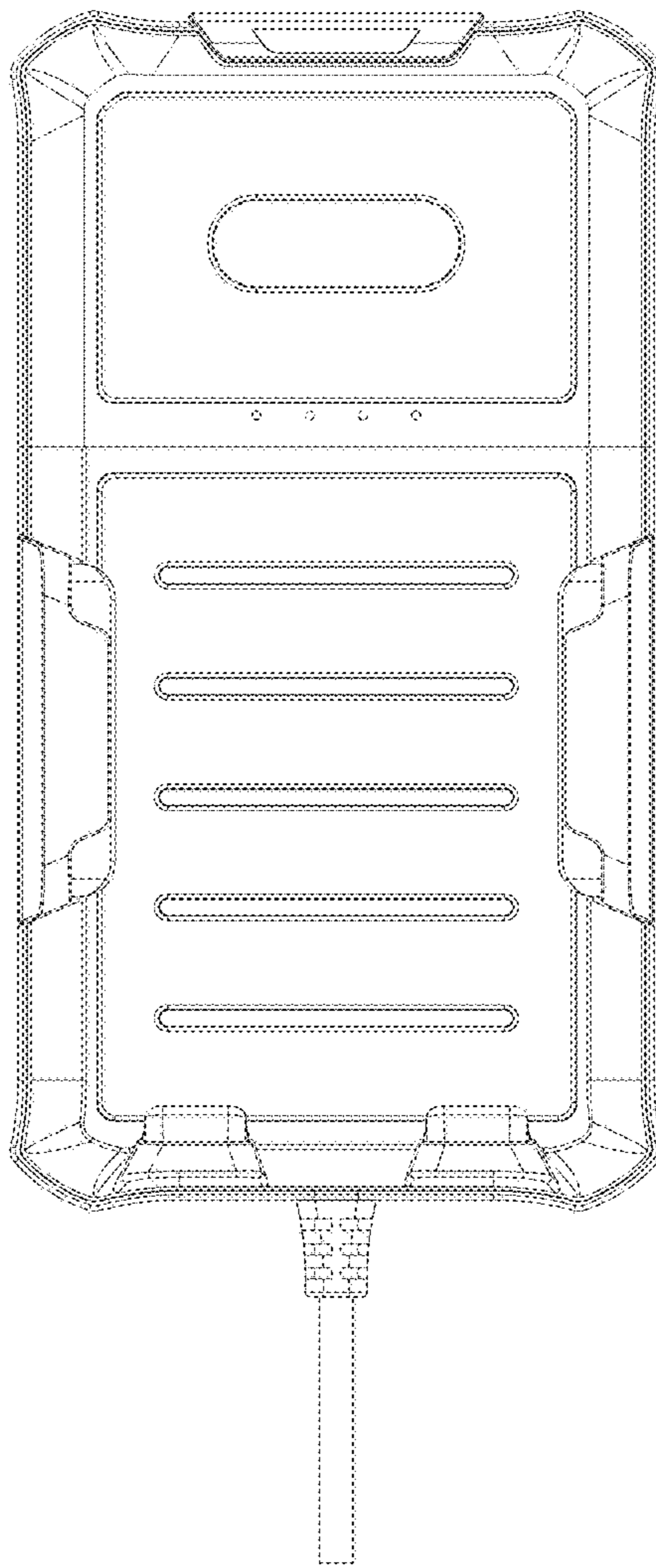


Fig. 4

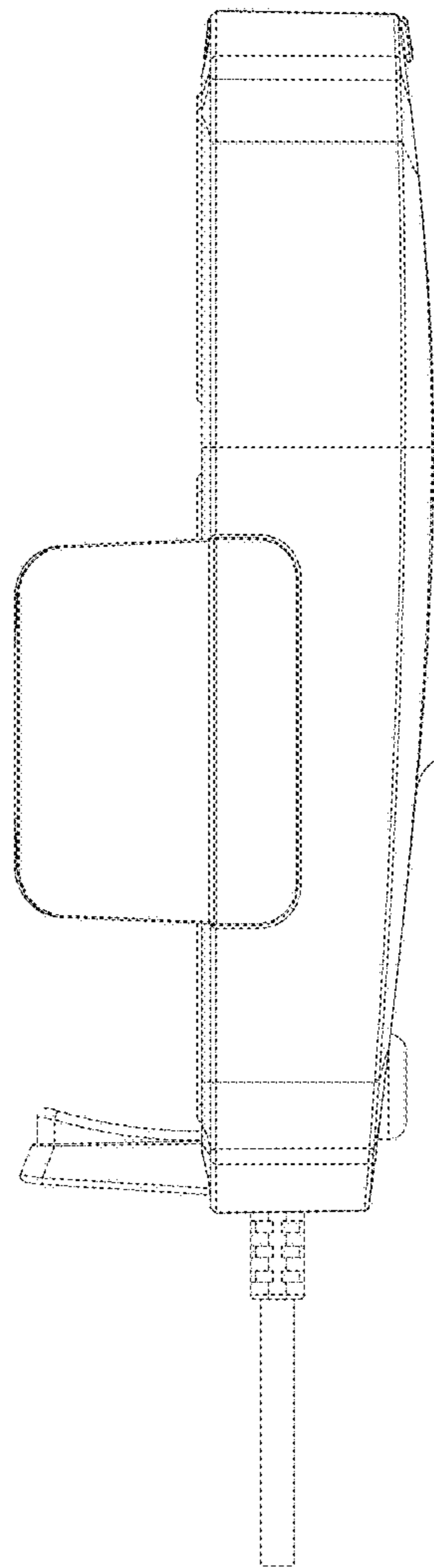


Fig. 5



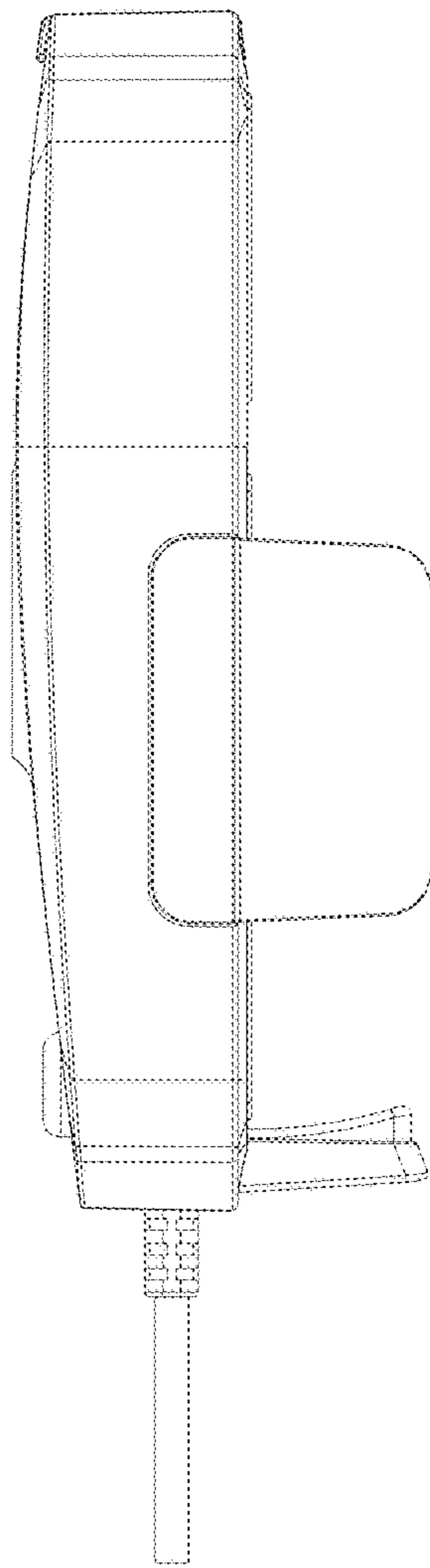


Fig. 6

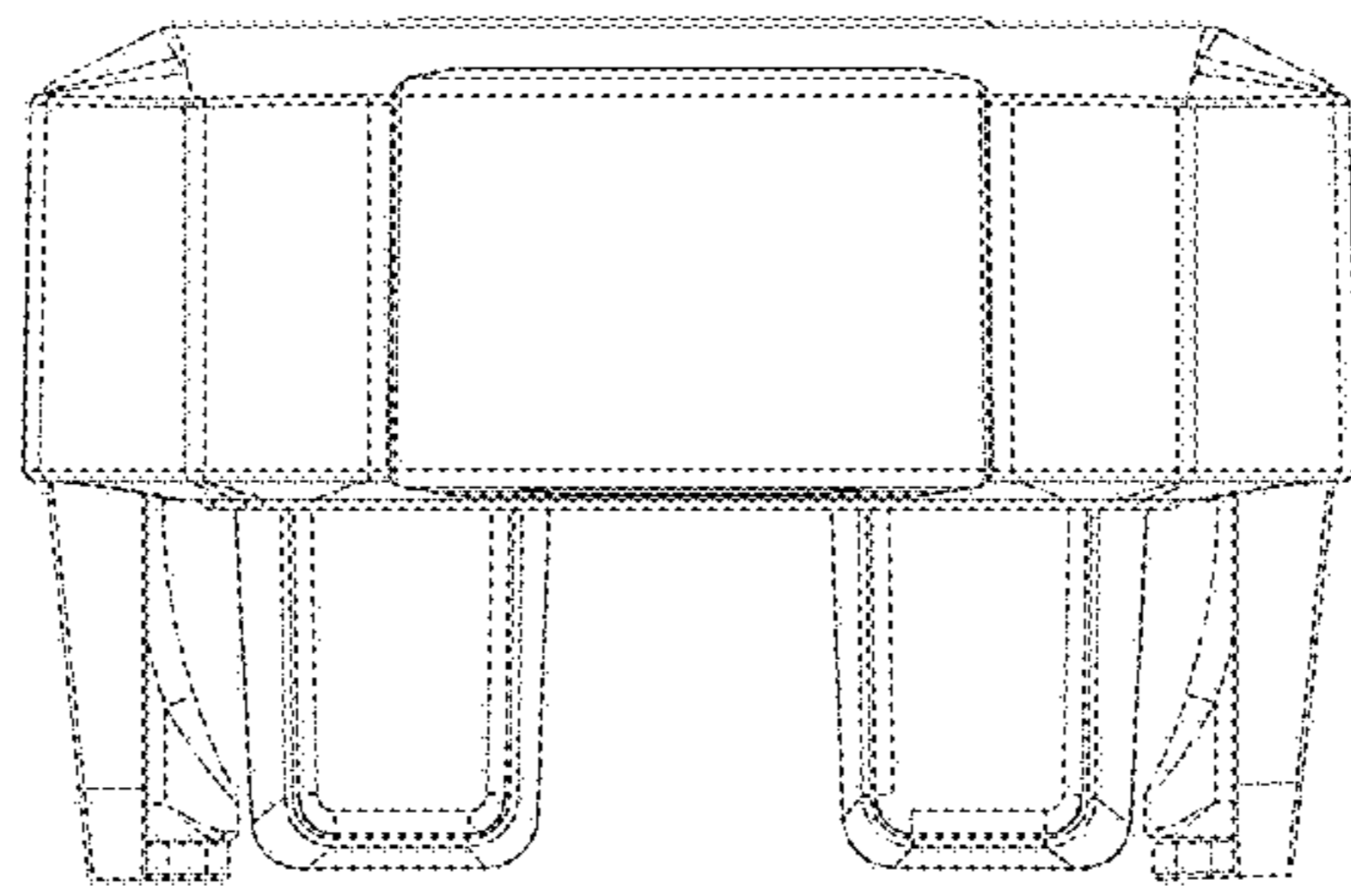


Fig. 7



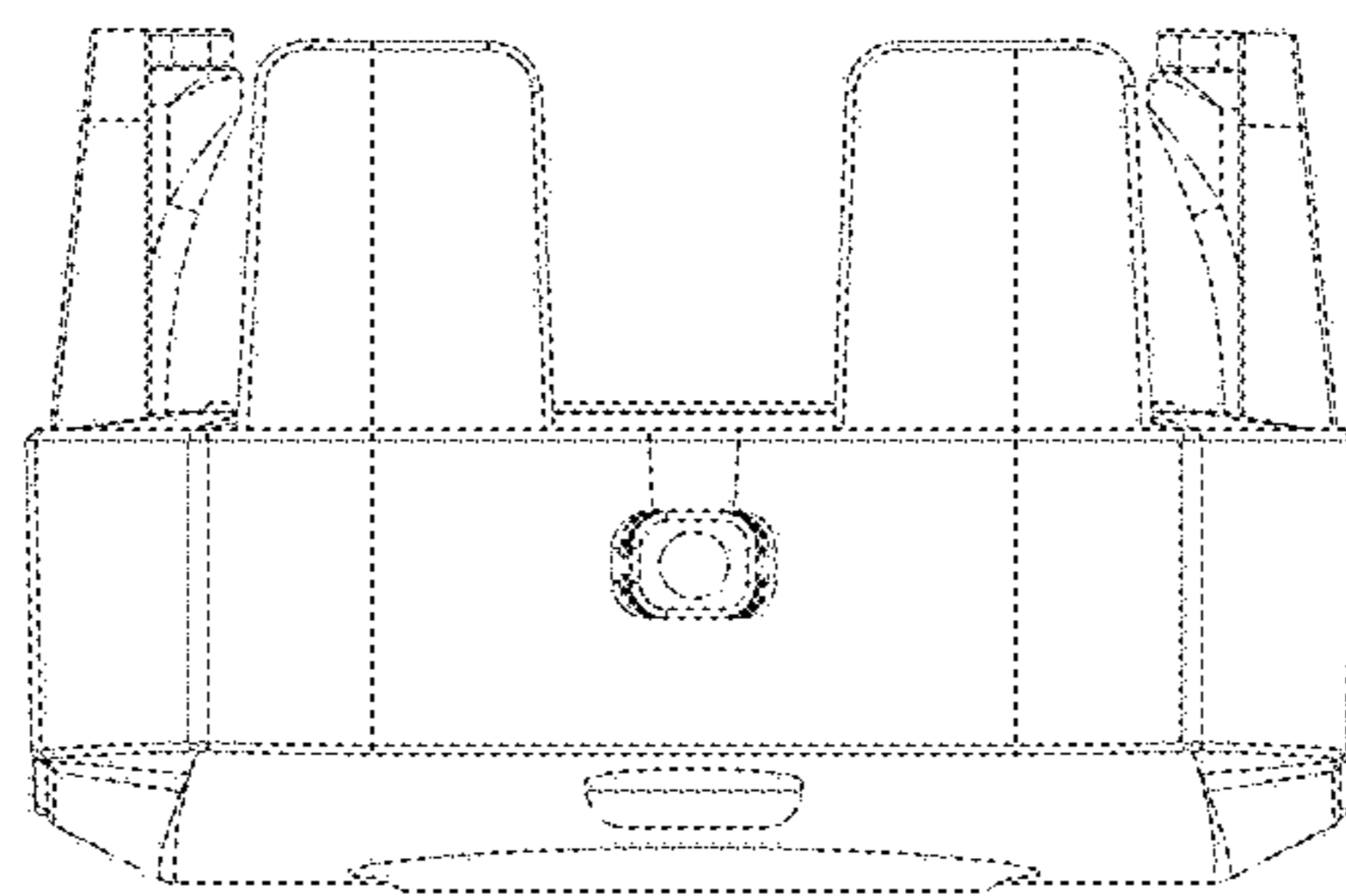


Fig. 8