

US00D861539S

(12) **United States Design Patent** (10) **Patent No.:** **US D861,539 S**  
**Schmölz** (45) **Date of Patent:** **\*\* Oct. 1, 2019**

(54) **MOTOR VEHICLE, TOY AND/OR REPLICA**

(71) Applicant: **Dr. Ing. h.c. F. Porsche**  
**Aktiengesellschaft, Stuttgart (DE)**

(72) Inventor: **Fabian Schmölz, Althengstett (DE)**

(73) Assignee: **Dr. Ing. h.c. F. Porsche**  
**Aktiengesellschaft (DE)**

(\*\*) Term: **15 Years**

(21) Appl. No.: **29/645,860**

(22) Filed: **Apr. 30, 2018**

(30) **Foreign Application Priority Data**

Nov. 9, 2017 (DE) ..... 40 2017 101 206

(51) **LOC (12) Cl.** ..... **12-08**

(52) **U.S. Cl.**  
USPC ..... **D12/92**

(58) **Field of Classification Search**  
USPC .... D12/86, 90-92; D21/424, 433, 434, 533;  
296/181.1-181.5, 183.1  
CPC ..... B62D 25/00; B62D 25/06; B62D 33/00;  
B62D 35/00  
See application file for complete search history.

(56) **References Cited**

**U.S. PATENT DOCUMENTS**

D526,600 S 8/2006 Lai  
D526,945 S 8/2006 Lai

D590,300 S 4/2009 Saracoglu  
D673,484 S 1/2013 Robinson  
D731,927 S 6/2015 Robinson  
D769,154 S 10/2016 Varga  
D805,963 S 12/2017 Varga  
D808,862 S \* 1/2018 Ujhasi ..... D12/92  
D823,727 S \* 7/2018 Hauser ..... D12/92  
D824,288 S \* 7/2018 Hauser ..... D12/92  
D826,784 S \* 8/2018 Hauser ..... D12/92  
D833,331 S \* 11/2018 Yamashita ..... D12/92  
D839,786 S \* 2/2019 Baum ..... D12/92  
D842,759 S \* 3/2019 Baum ..... D12/92

\* cited by examiner

*Primary Examiner* — Melody N Brown

(74) *Attorney, Agent, or Firm* — RatnerPrestia

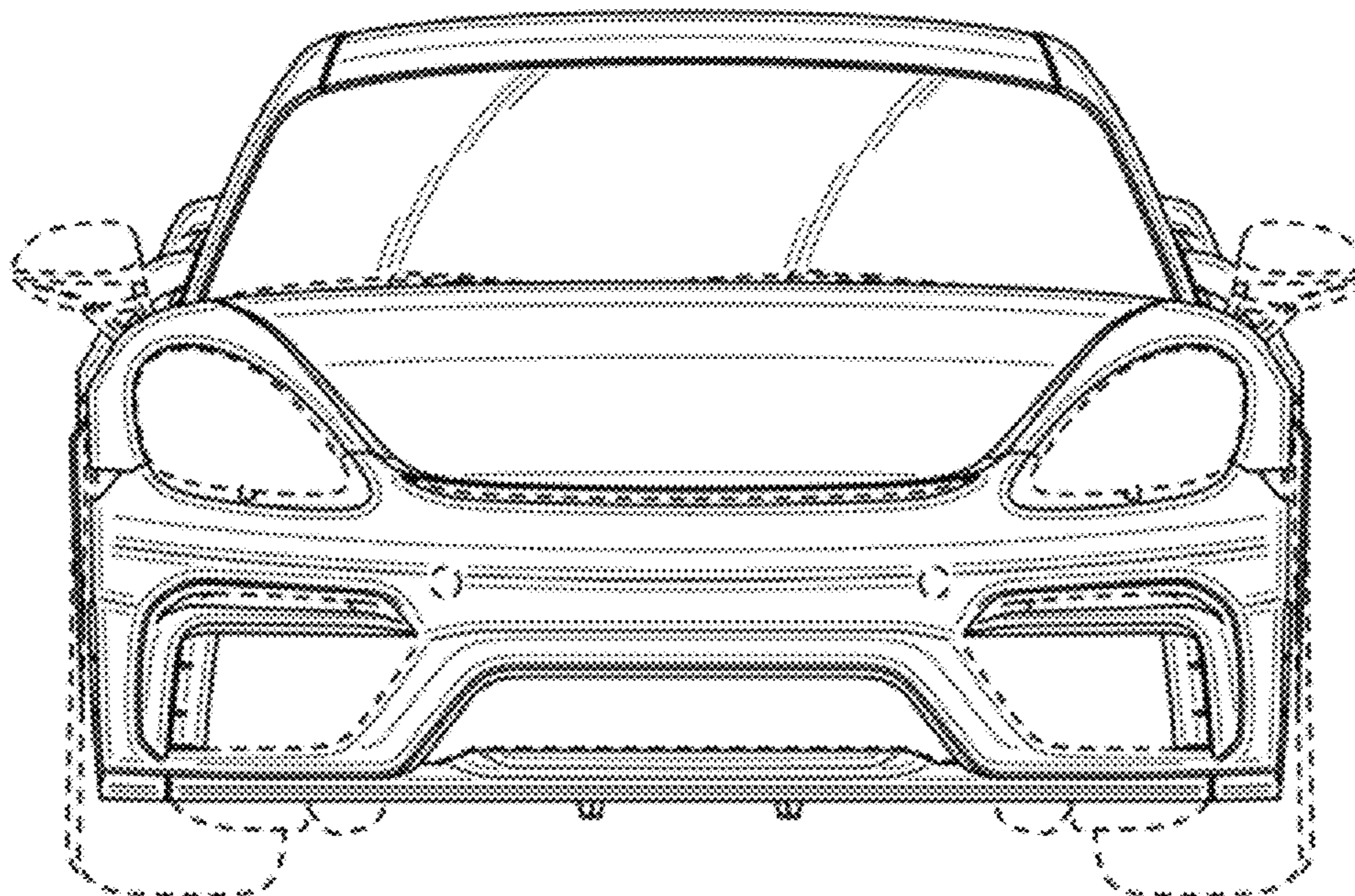
(57) **CLAIM**

The ornamental design for a motor vehicle, toy and/or replica, as shown and described.

**DESCRIPTION**

FIG. 1 is a front elevation view of a motor vehicle, toy and/or replica;  
FIG. 2 is a rear elevation view thereof;  
FIG. 3 is an elevation view thereof taken from the right side, the left side being a substantial mirror image thereof; and, FIG. 4 is a top plan view thereof.  
The portions of the vehicle shown in broken lines are for illustrative and environmental purposes and form no part of the claimed design.

**1 Claim, 4 Drawing Sheets**



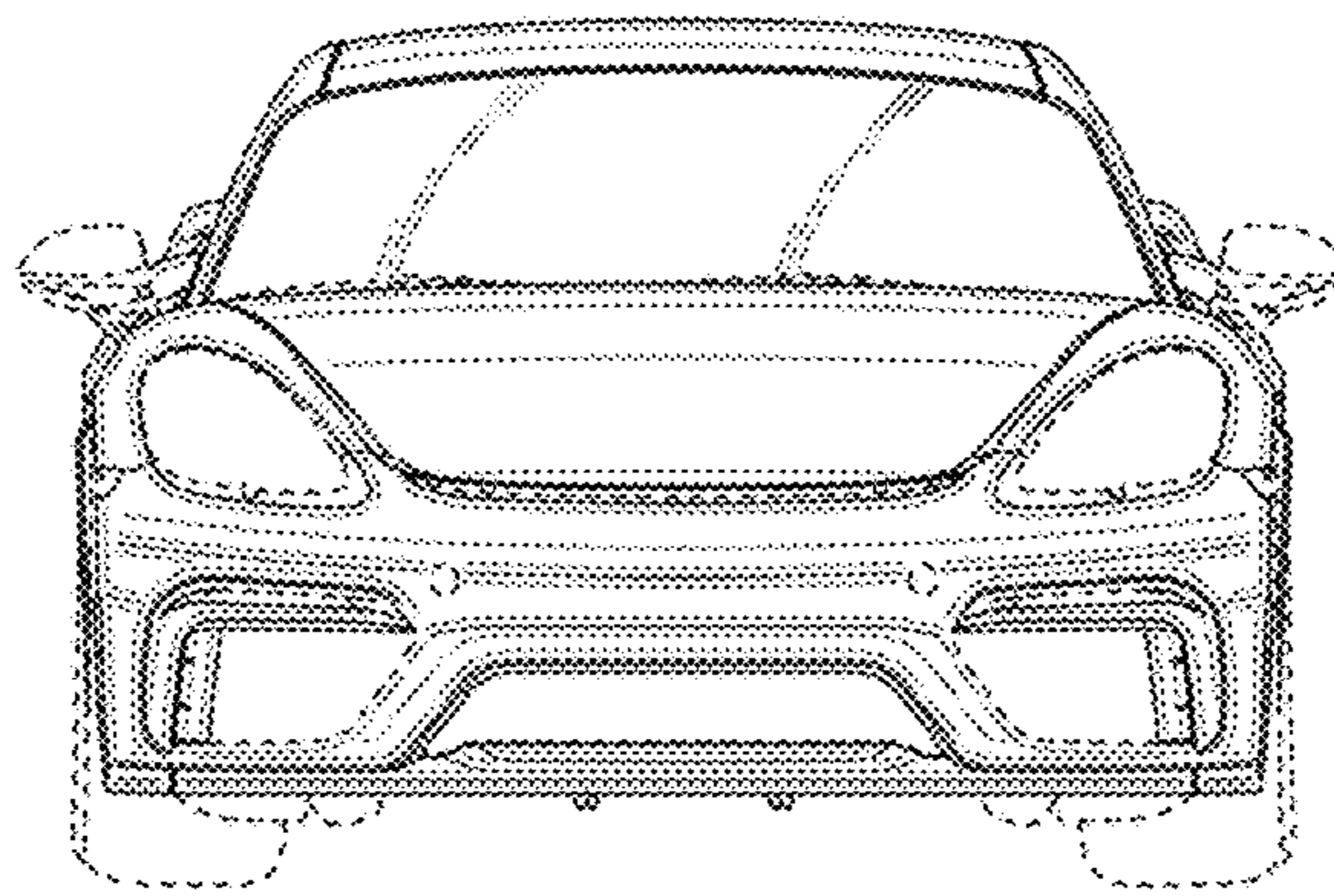


FIG. 1

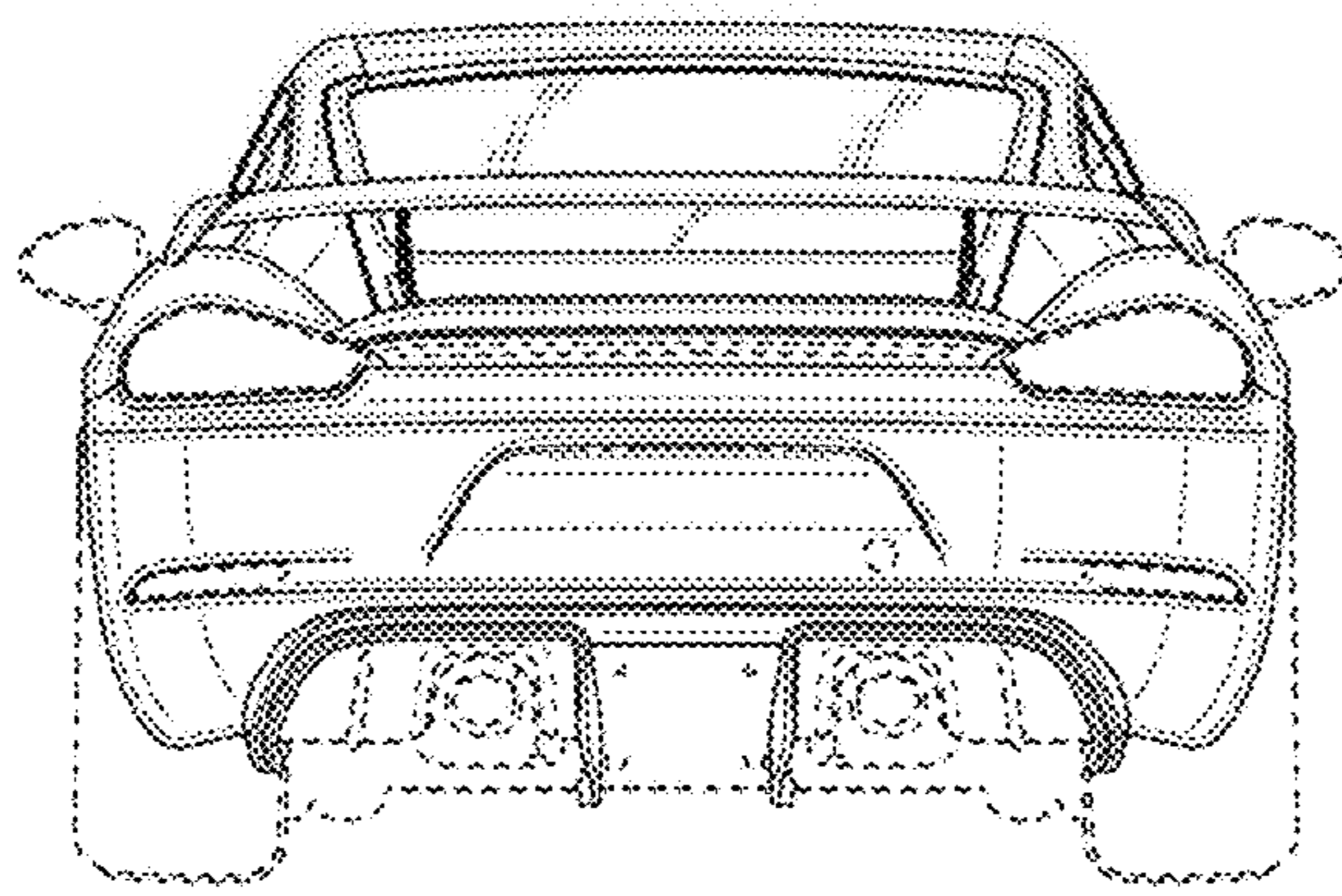


FIG. 2

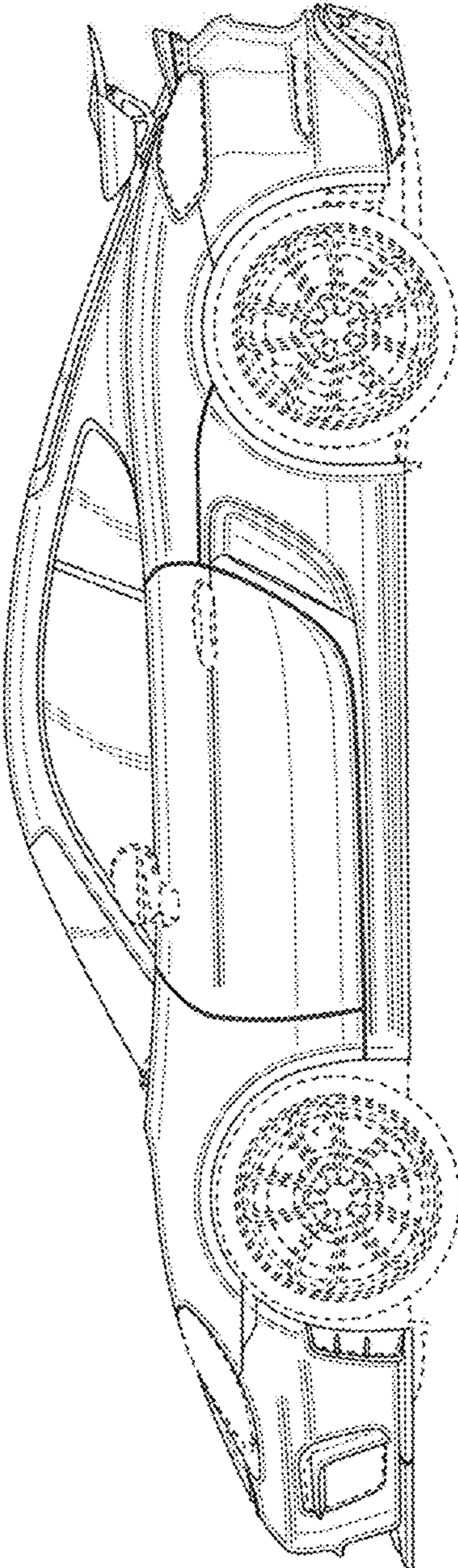


FIG. 3

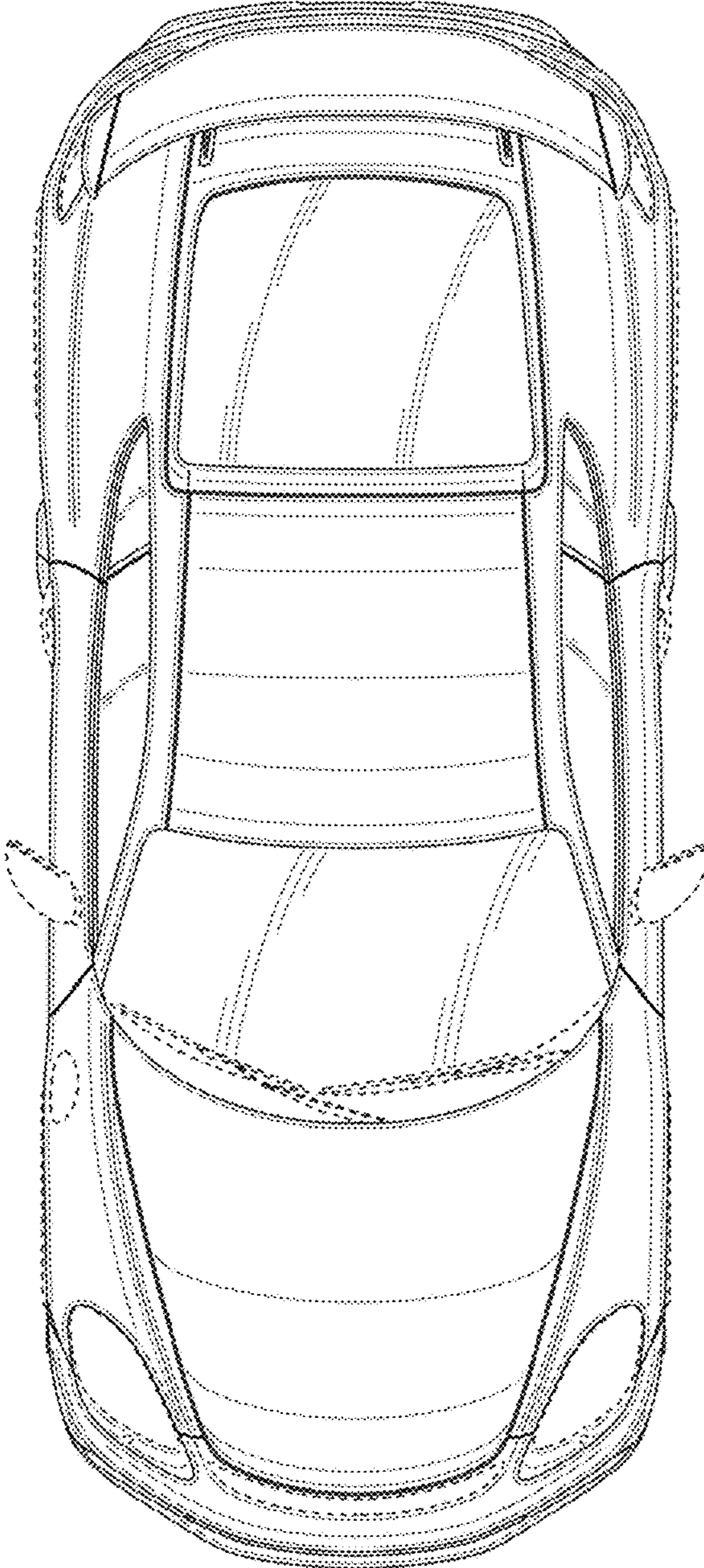


FIG. 4