



US00D861537S

(12) **United States Design Patent** (10) **Patent No.:** **US D861,537 S**  
**Lamanna** (45) **Date of Patent:** **\*\* Oct. 1, 2019**

(54) **BUS**  
(71) Applicant: **NEWTL**, Duppigheim (FR)  
(72) Inventor: **M. Franck Lamanna**, Marlenheim (FR)  
(73) Assignee: **NEWTL**, Duppigheim (FR)  
(\*\*) Term: **15 Years**  
(21) Appl. No.: **29/616,049**  
(22) Filed: **Sep. 1, 2017**

D503,126 S \* 3/2005 Papke ..... D12/84  
D531,933 S \* 11/2006 Delamour ..... D12/84  
D537,755 S \* 3/2007 Toth ..... D12/84  
D617,236 S \* 6/2010 Counts ..... D12/84  
D637,520 S \* 5/2011 Kerr ..... D12/84  
D642,092 S \* 7/2011 Wiens ..... D12/84  
D704,595 S \* 5/2014 Streicher ..... D12/84  
D714,187 S \* 9/2014 Lian ..... D12/84  
D717,210 S \* 11/2014 Wang ..... D12/84  
D718,659 S \* 12/2014 Lin ..... D12/84  
D721,297 S \* 1/2015 Zhang ..... D12/84  
D721,298 S \* 1/2015 Li ..... D12/84  
2009/0224570 A1 \* 9/2009 Haswell ..... B62D 31/04  
296/178  
2012/0161469 A1 \* 6/2012 Kerr ..... B62D 31/02  
296/178

(30) **Foreign Application Priority Data**

Mar. 2, 2017 (WO) ..... DM/097494

(51) **LOC (12) Cl.** ..... **12-08**  
(52) **U.S. Cl.**  
USPC ..... **D12/84**

(58) **Field of Classification Search**  
USPC ..... D12/82, 84, 86, 92, 100  
CPC ..... B62D 23/00; B62D 25/00; B62D 31/02;  
B62D 31/04; B62D 53/062; B62D 65/00;  
B60G 2202/152; B60G 2300/14; B60P  
3/007; B21D 53/88  
See application file for complete search history.

(56) **References Cited**

**U.S. PATENT DOCUMENTS**

D248,033 S \* 5/1978 James ..... D12/84  
D254,609 S \* 4/1980 Neal ..... D12/84  
D255,340 S \* 6/1980 Flesche ..... D12/84  
D257,141 S \* 9/1980 Flesche ..... D12/84  
D268,997 S \* 5/1983 Dubernard ..... D12/84  
D302,802 S \* 8/1989 Manning ..... D12/84  
D305,623 S \* 1/1990 Gallitzendoerfer ..... D12/84  
D345,120 S \* 3/1994 Normand, Jr. .... D12/84  
D376,562 S \* 12/1996 Sealy ..... D12/84  
5,669,307 A \* 9/1997 Cichy ..... B61B 1/02  
104/28  
D442,888 S \* 5/2001 Papke ..... D12/84

**OTHER PUBLICATIONS**

Design U.S. Appl. No. 29/624,451, filed Nov. 1, 2017 in the name of Newtl.

\* cited by examiner

*Primary Examiner* — Darlington Ly  
(74) *Attorney, Agent, or Firm* — Carter, Deluca & Farrell LLP

(57) **CLAIM**

The ornamental design for a bus, as shown and described.

**DESCRIPTION**

FIG. 1 is a front perspective view of a front of a bus in accordance with the present design;  
FIG. 2 is a front elevational view thereof;  
FIG. 3 is a rear perspective view thereof;  
FIG. 4 is a rear elevational view thereof;  
FIG. 5 is a left side elevational thereof;  
FIG. 6 is a right side elevational thereof; and,  
FIG. 7 is a top plan view thereof.

**1 Claim, 7 Drawing Sheets**

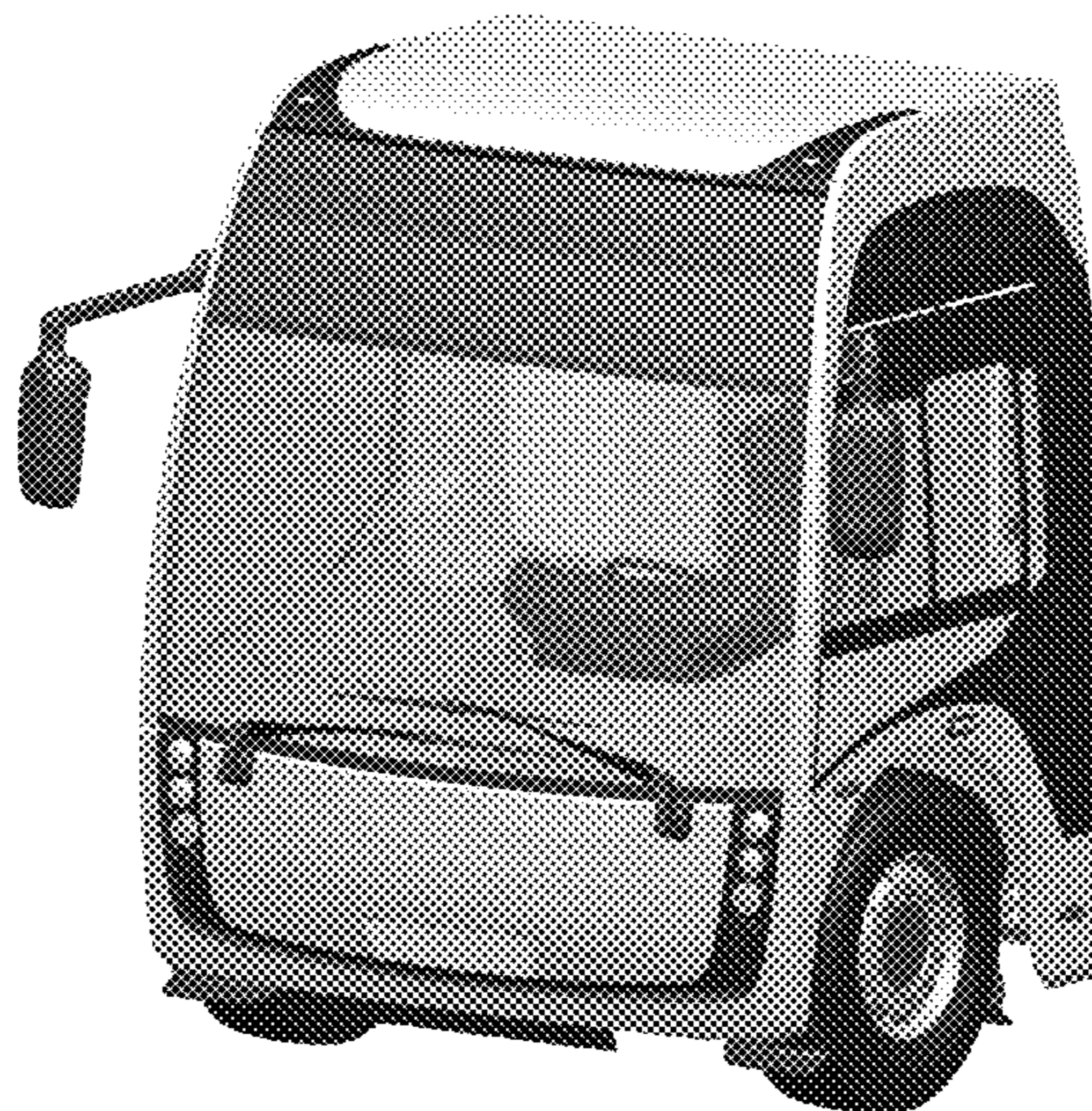




FIG. 1

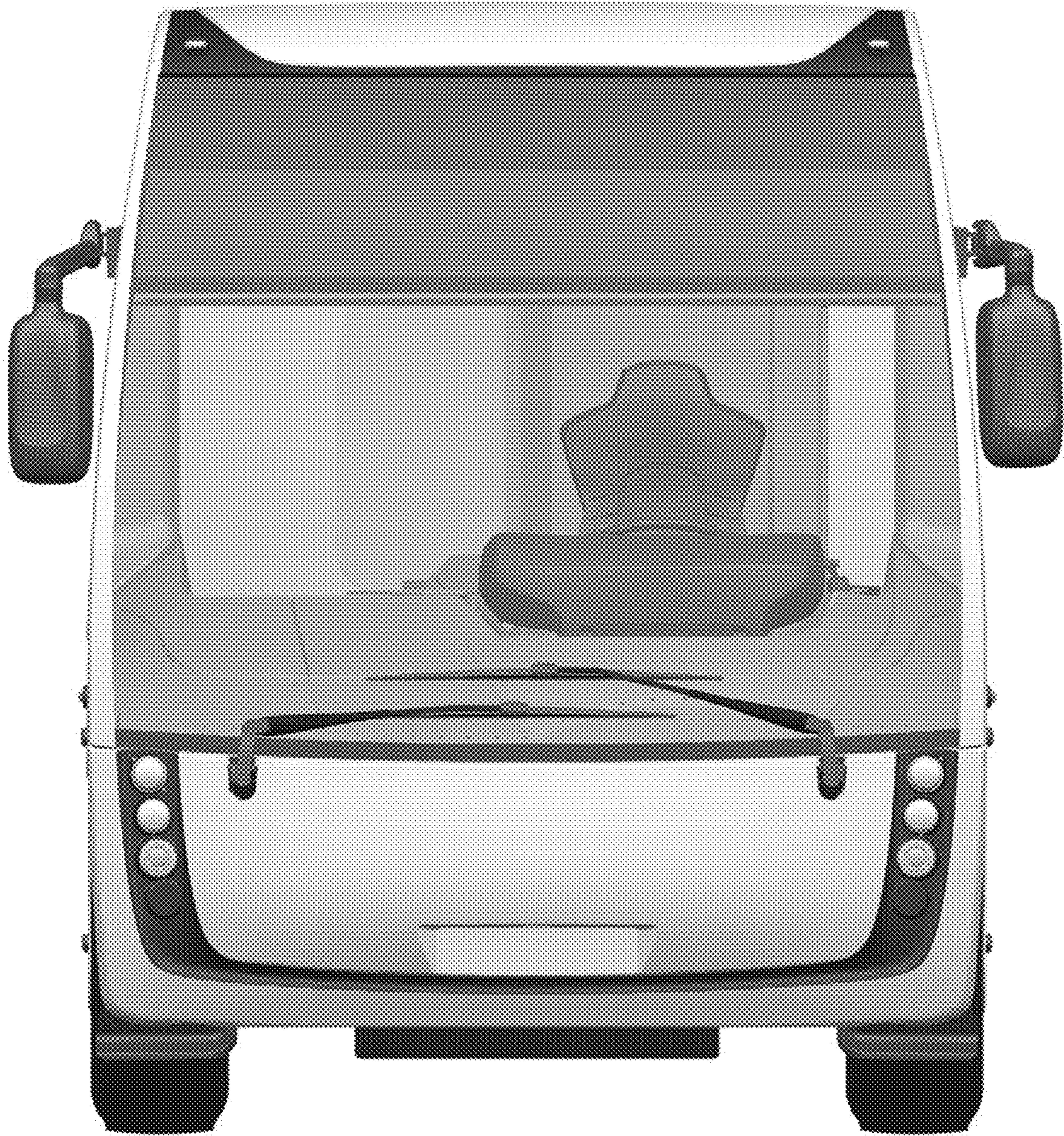


FIG. 2

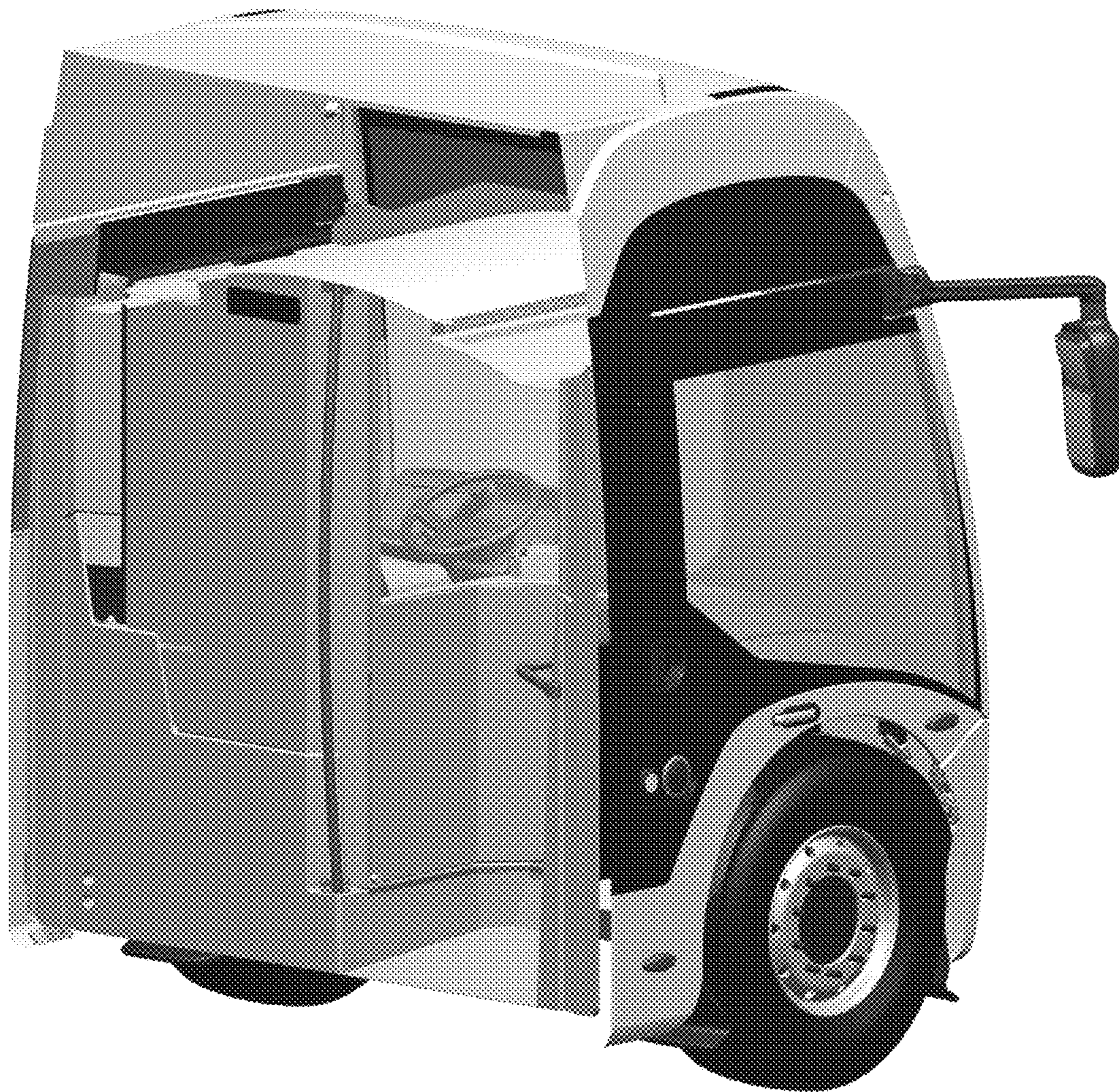


FIG. 3

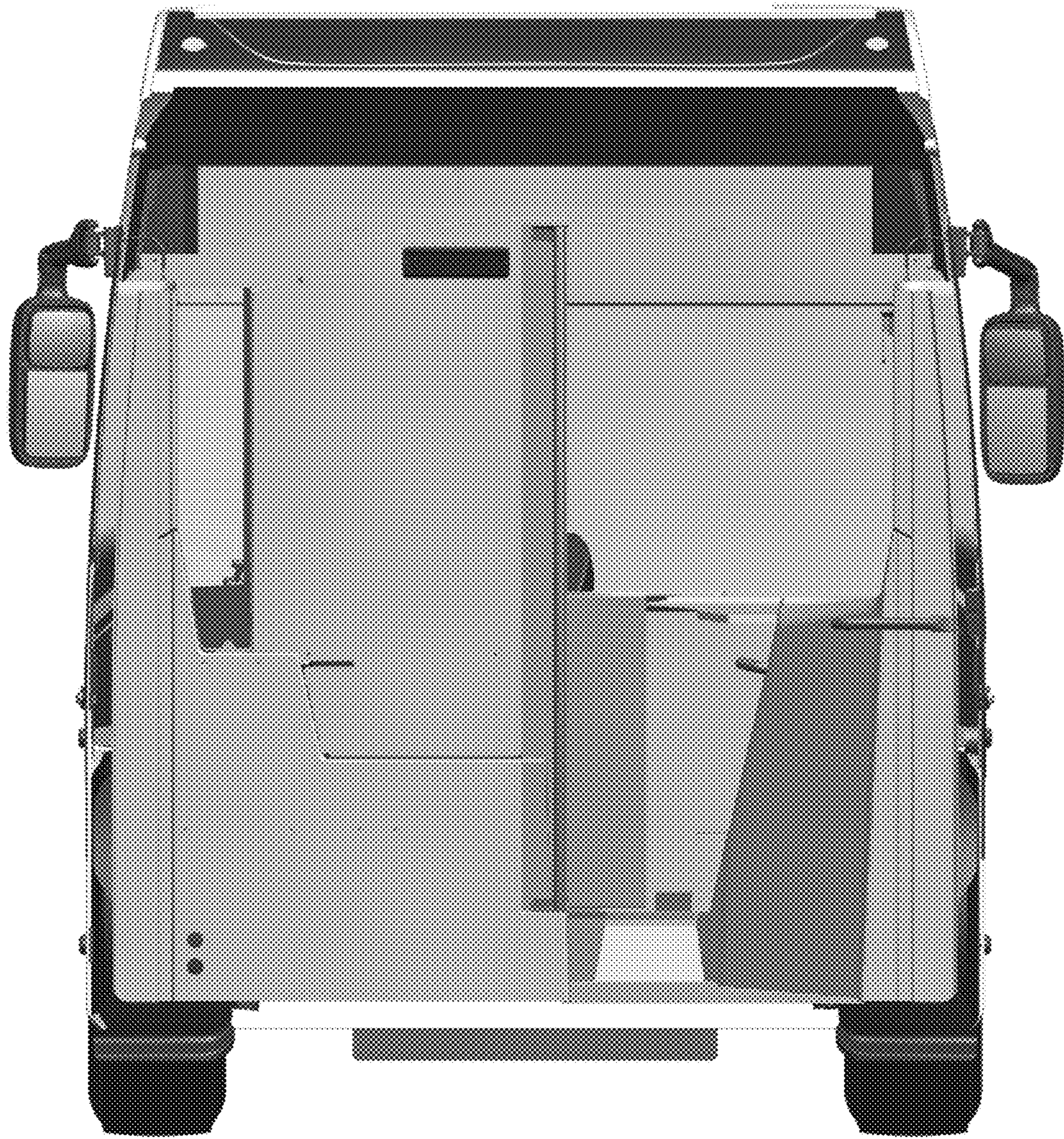


FIG. 4

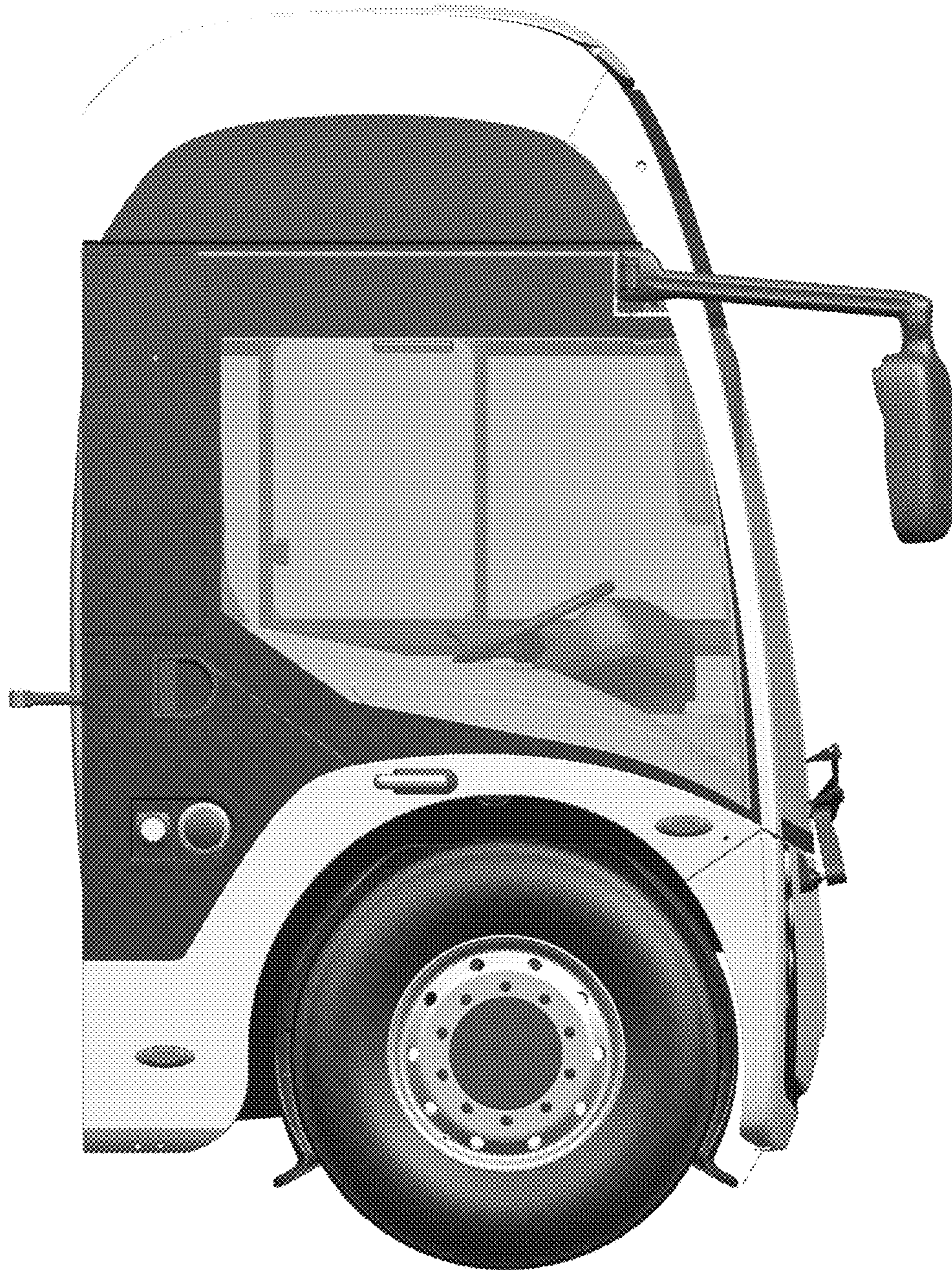


FIG. 5



FIG. 6



FIG. 7