



US00D861536S

(12) **United States Design Patent** (10) **Patent No.:** **US D861,536 S**
Tachibana et al. (45) **Date of Patent:** **** Oct. 1, 2019**

(54) **ELECTRIC MOTOR VEHICLE** D391,897 S * 3/1998 Murata D12/86
D410,215 S * 5/1999 Murata D12/86
6,598,927 B2 * 7/2003 Kurohori B62J 17/04
296/201
D515,458 S * 2/2006 Tolfsen D12/85
D579,851 S * 11/2008 Fermil D12/402
D629,717 S * 12/2010 Artioli D12/86
D663,242 S * 7/2012 Zhang D12/110
D670,617 S * 11/2012 Tako D12/110
D787,984 S * 5/2017 Fang D12/86
D826,779 S * 8/2018 Benedini D12/86
2010/0096200 A1 * 4/2010 Bombarda B62J 17/08
180/65.31

(**) **Term:** **15 Years**

(21) **Appl. No.:** **29/608,896**

(22) **Filed:** **Jun. 27, 2017**

(30) **Foreign Application Priority Data**

Apr. 5, 2017 (JP) 2017-007190

(51) **LOC (12) Cl.** **12-14**

(52) **U.S. Cl.**
USPC **D12/1; D12/107**

(58) **Field of Classification Search**
USPC D12/1, 2, 3, 4, 12, 14, 16, 107, 111, 114,
D12/82, 85, 86, 87, 93, 128, 131, 133,
D12/110; D21/483, 533, 548, 549, 539,
D21/556, 557, 559, 562
CPC B62D 35/00; B62D 39/00; B62D 47/00;
B62D 47/003; B62D 63/02; B62D
33/0617; B62D 33/00; A01B 59/02; B60L
200/22; B60Y 2200/86; B60Y 2200/91;
B60P 1/00; B60P 1/003; B60R 21/13;
B62J 17/08; B62J 2017/083; B62J
2017/086

See application file for complete search history.

(56) **References Cited**

U.S. PATENT DOCUMENTS

4,372,602 A * 2/1983 Tsuchiya B62D 21/183
296/37.1
D320,958 S * 10/1991 Kimura D12/85

* cited by examiner

Primary Examiner — Michelle E. Wilson
Assistant Examiner — Ania Aman
(74) *Attorney, Agent, or Firm* — Studebaker & Brackett
PC

(57) **CLAIM**

The ornamental design for an electric motor vehicle, as shown and described.

DESCRIPTION

FIG. 1 is a perspective view 1 of the front, left and top side of an electric motor vehicle showing our new design;
FIG. 2 is a perspective view 2 of the rear, right and top side view thereof;
FIG. 3 is a left side view thereof;
FIG. 4 is a rear view thereof;
FIG. 5 is a front view thereof;
FIG. 6 is a top view thereof; and,
FIG. 7 is a bottom view thereof.

The parts shown in the broken lines do not form part of the claimed designs. The dot and dashed lines mean a boundary between the claimed portion and the non-claimed portion. The right side view is omitted because it is a mirror image of the left side view.

1 Claim, 7 Drawing Sheets

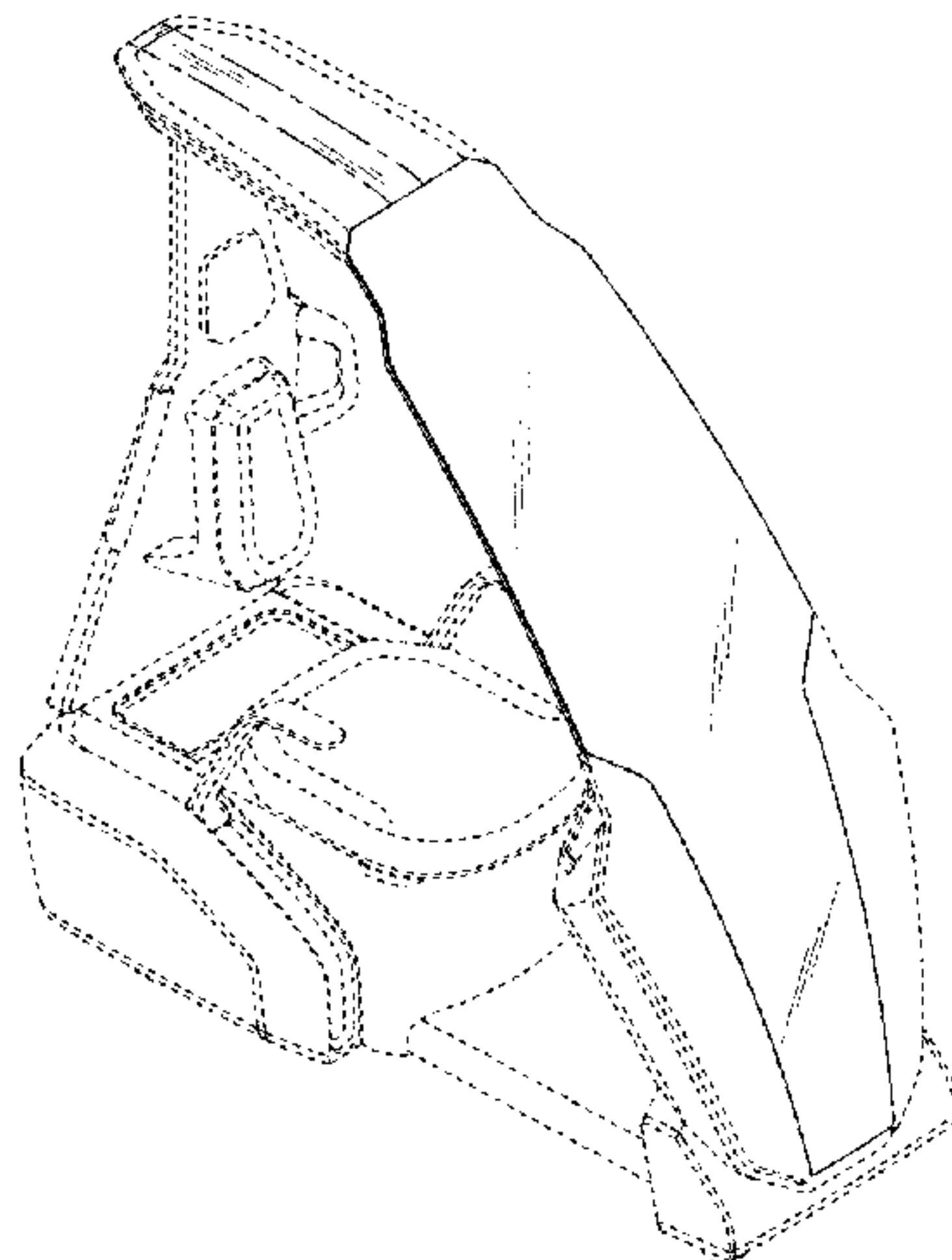


Fig.1

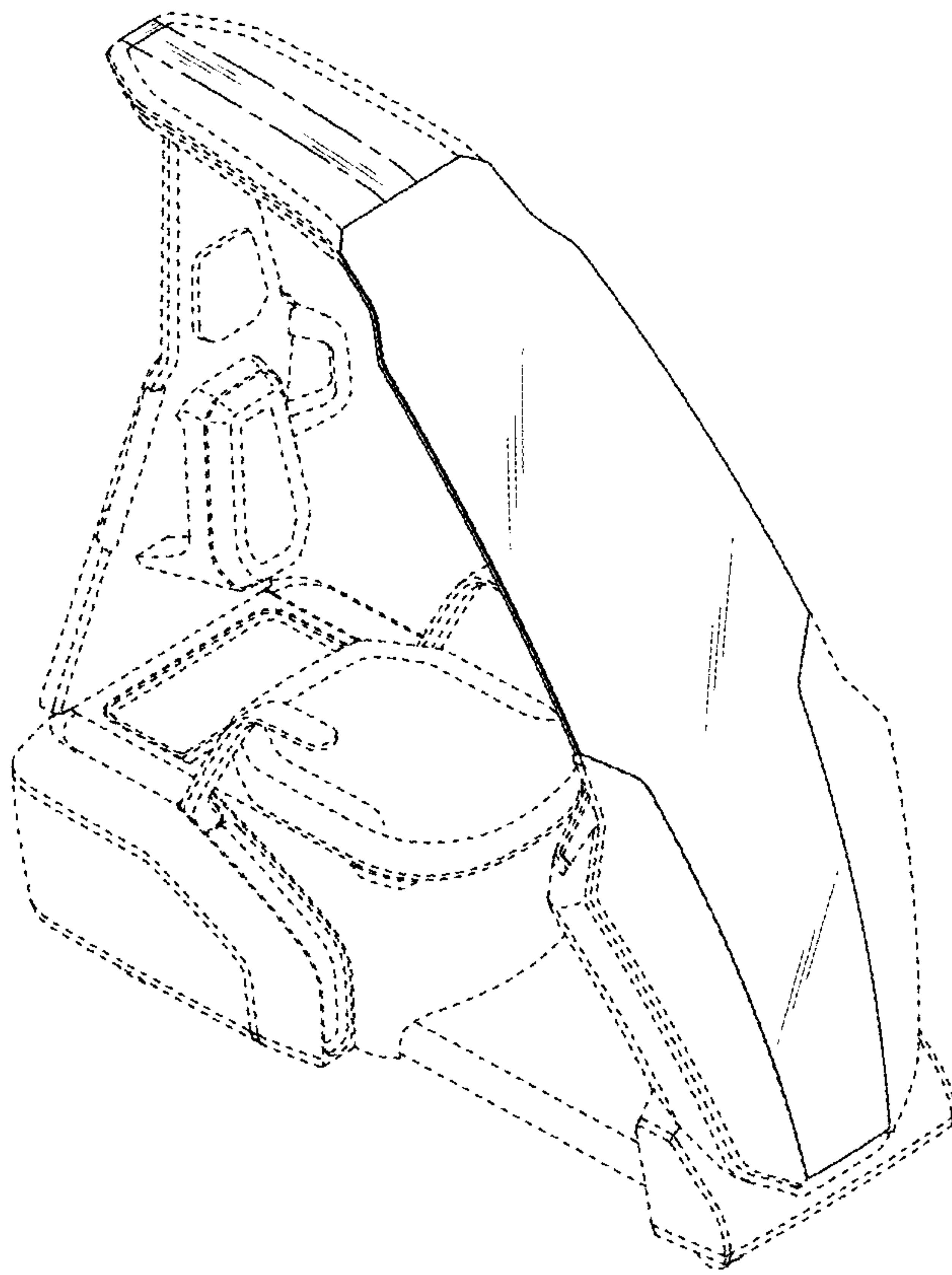


Fig.2

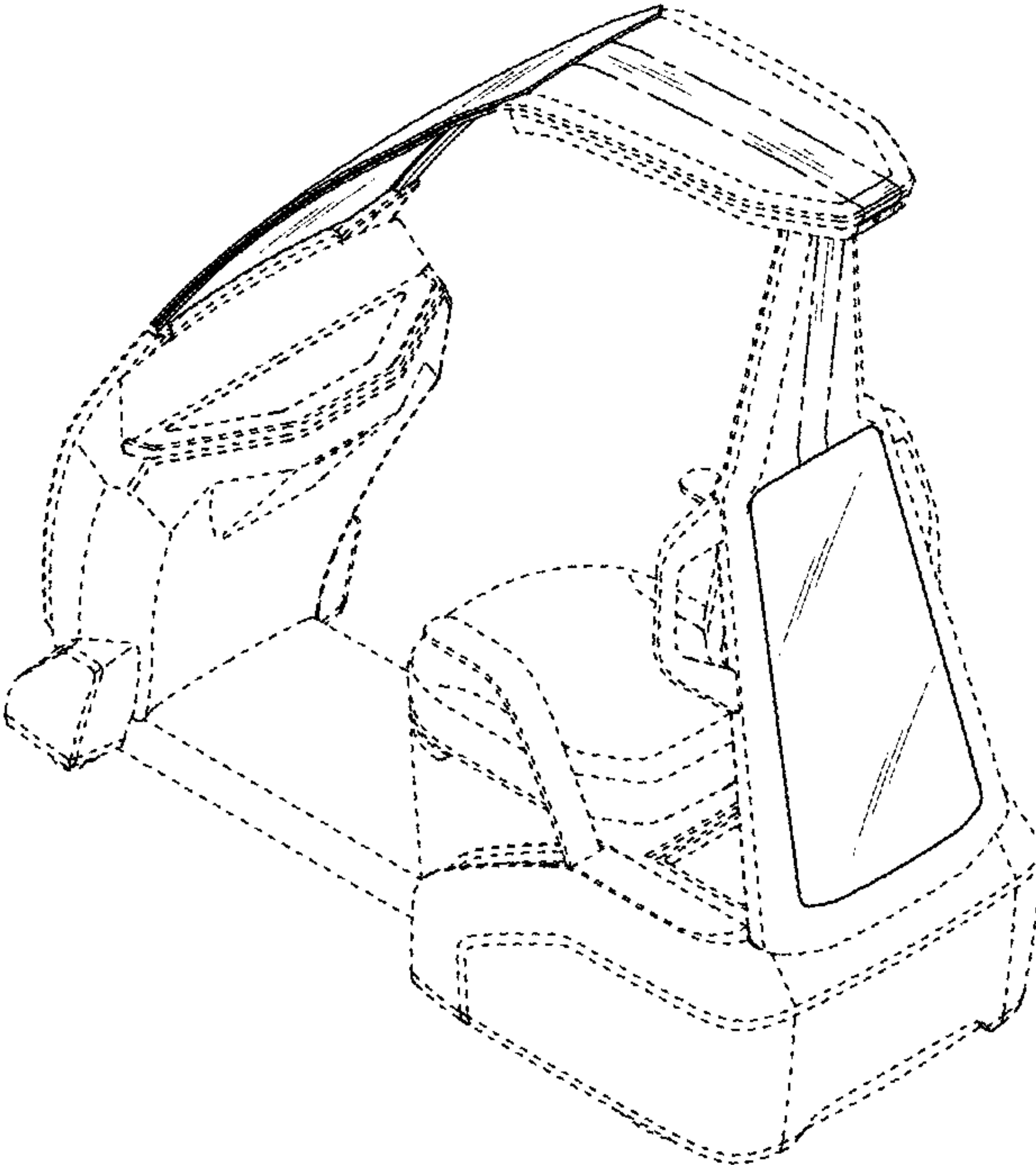


Fig.3

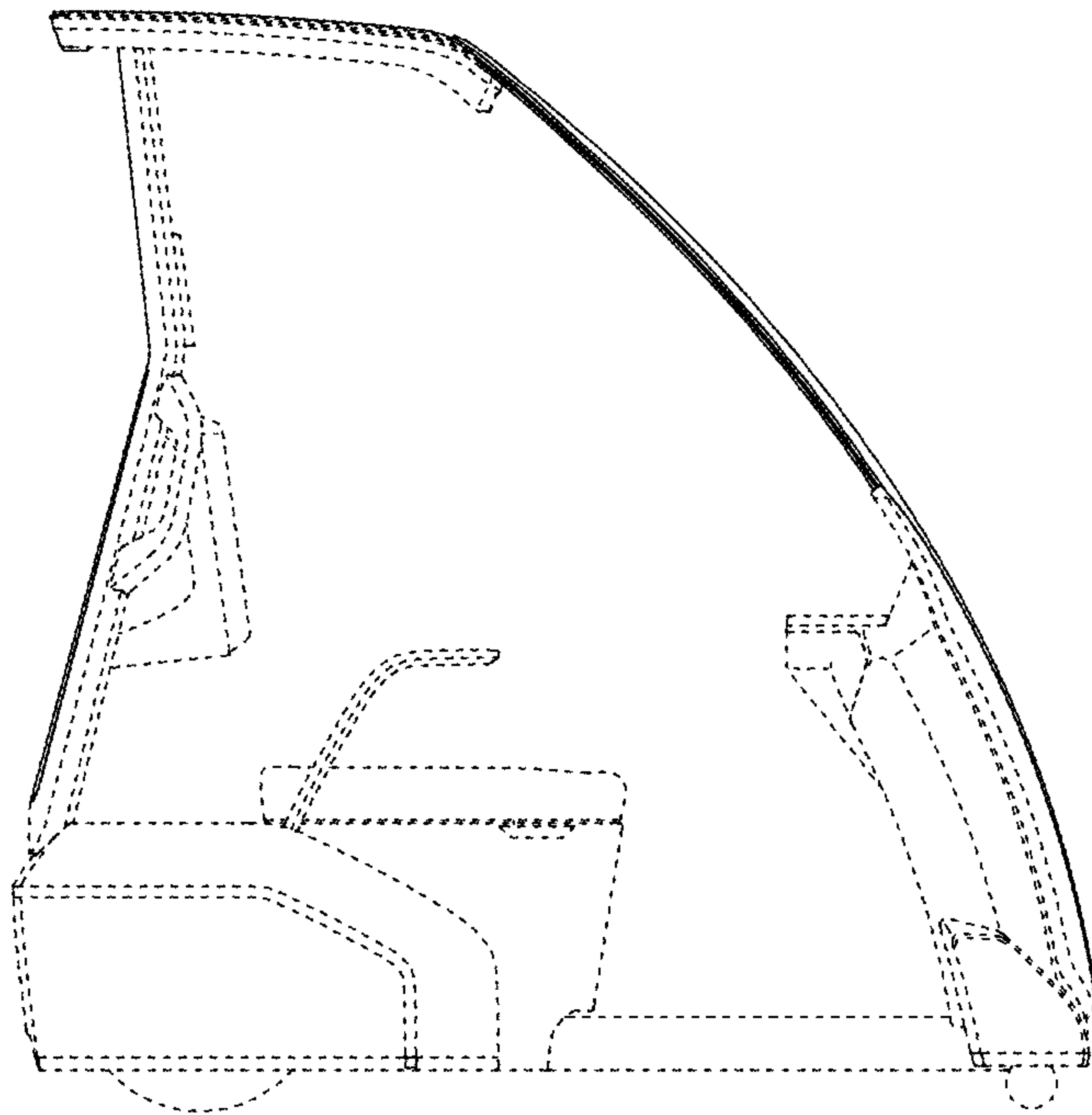


Fig.4

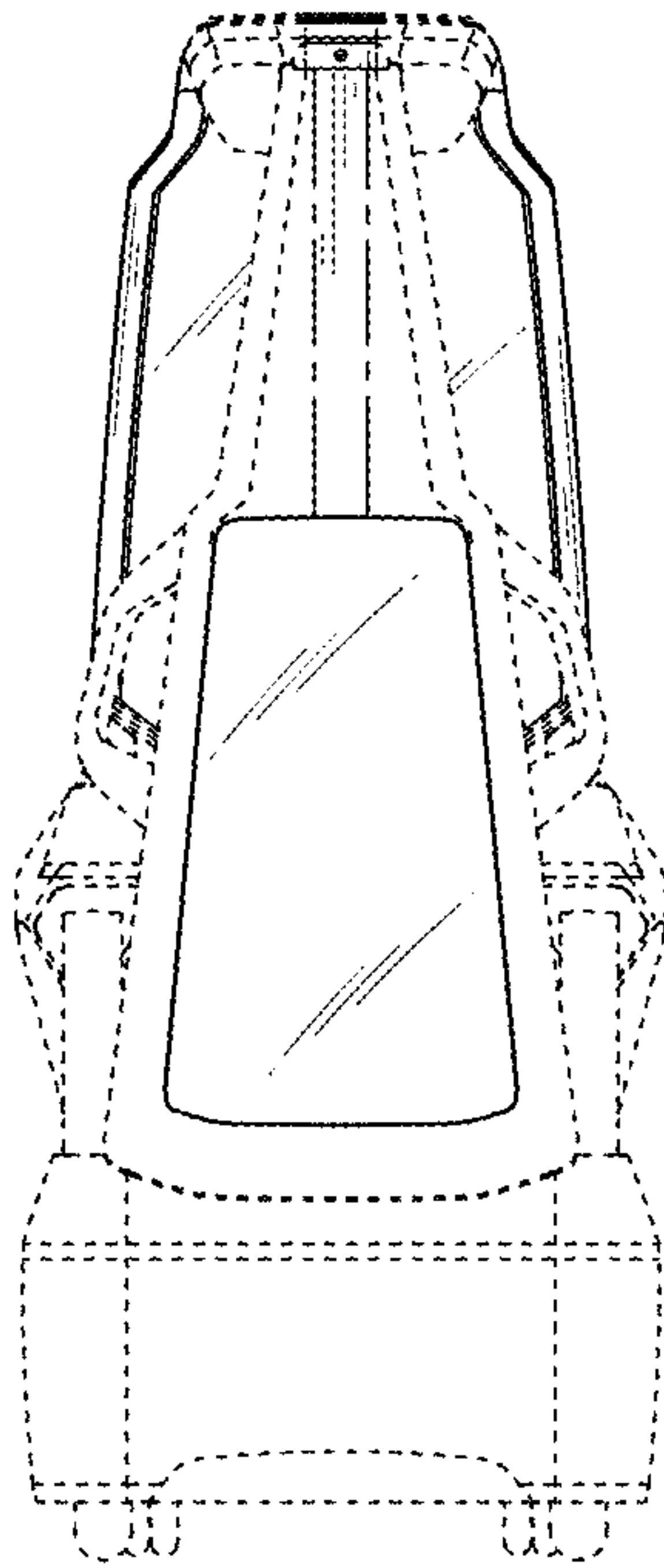


Fig.5

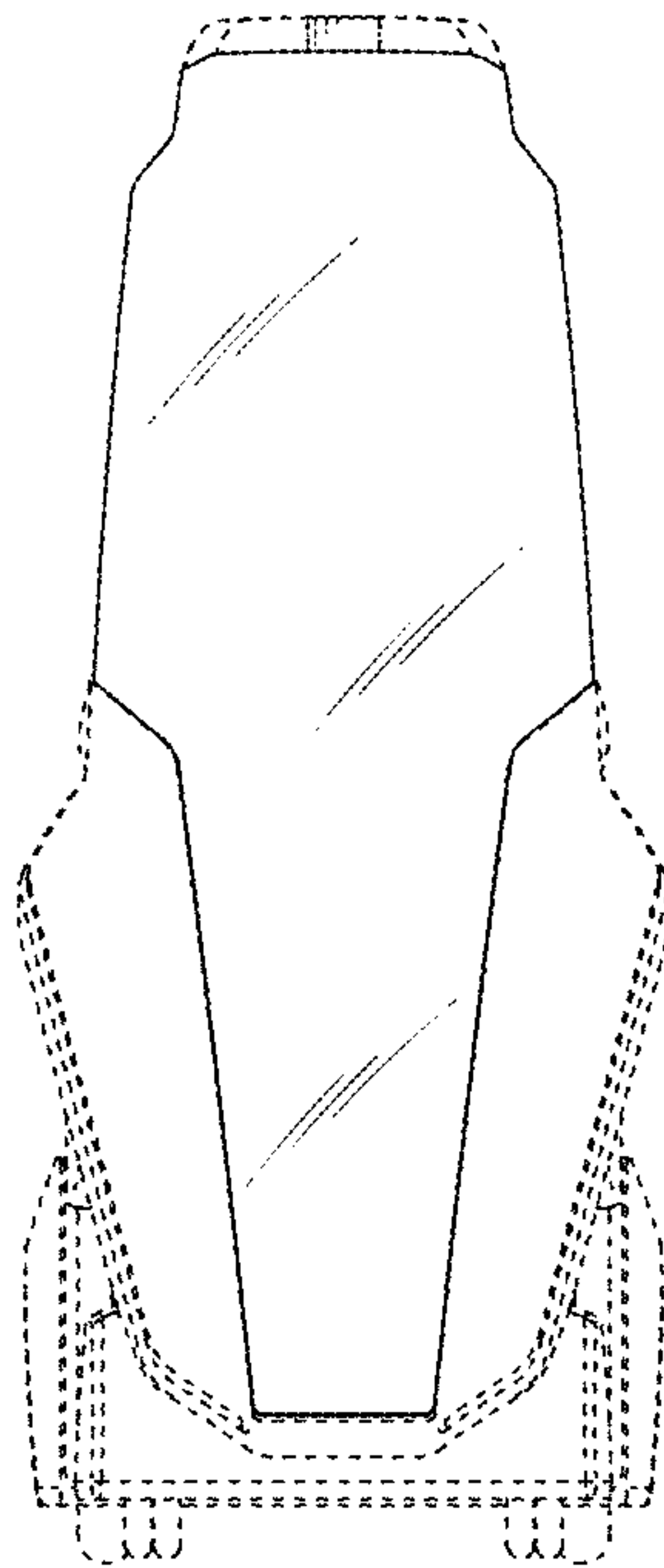


Fig.6

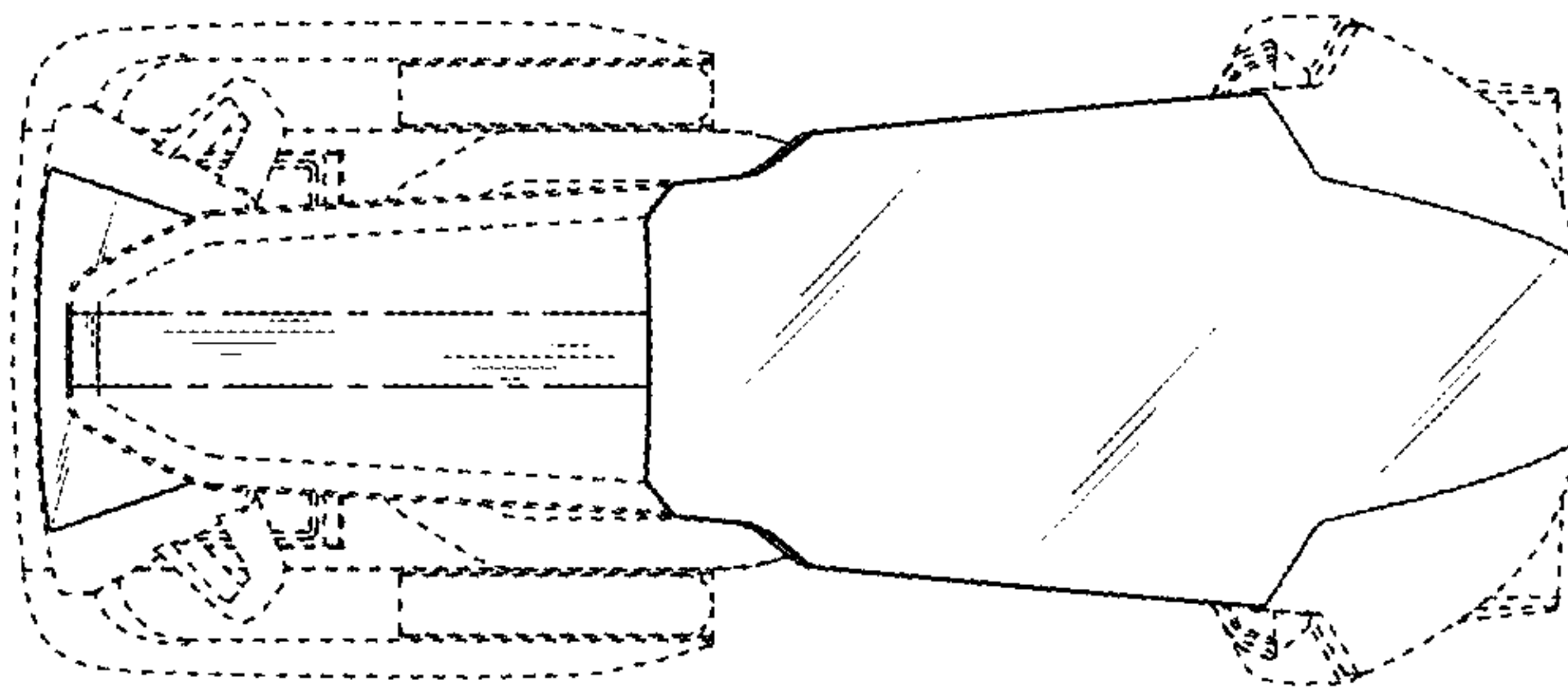


Fig.7

