



US00D861534S

(12) **United States Design Patent**
Paik et al.

(10) **Patent No.:** **US D861,534 S**
(45) **Date of Patent:** **** Oct. 1, 2019**

(54) **BUCKLE FOR BAGS**

FOREIGN PATENT DOCUMENTS

- (71) Applicant: **WOJIN PLASTIC CO., LTD.**,
Gyeonggi-do (KR)
- (72) Inventors: **Jisook Paik**, Seoul (KR); **Nan Hee Paik**, Seoul (KR); **Ji Hye Paik**, Seoul (KR); **Ji Won Son**, Seoul (KR)
- (73) Assignee: **Woojin Plastic Co., LTD**, Guri-si (KR)
- (**) Term: **15 Years**
- (21) Appl. No.: **29/631,139**
- (22) Filed: **Dec. 27, 2017**

KR 304792712 * 8/2018
Primary Examiner — Kevin K Rudzinski
Assistant Examiner — Richard Kearney

(30) **Foreign Application Priority Data**

- Jun. 29, 2017 (KR) 30-2017-0029890
- (51) **LOC (12) Cl.** **02-07**
- (52) **U.S. Cl.**
USPC **D11/216**
- (58) **Field of Classification Search**
USPC D2/624, 626, 627, 633, 639, 640, 853,
D2/923; D3/24, 213, 215, 216, 230;
D8/14, 331, 343, 349, 356, 358, 359, 360,
D8/363, 366, 371, 382, 394, 395;
D10/32, 38; D11/1, 2, 3, 12, 16, 86, 87,
D11/93, 200, 201, 206–210, 212–218,
D11/229–237; D12/195, 416;
D29/100–101.5, 122, 129, 130; D30/139,
D30/152, 153
CPC A44B 11/00; A44B 11/02; A44B 11/04;
A44B 11/05; A44B 11/06; A44B 11/10;
A44B 11/14; A44B 11/22; A44B 11/25;
(Continued)

(57) **CLAIM**

We claim, the ornamental design for a buckle for bags, as shown and described.

DESCRIPTION

FIG. 1 is a perspective view of a buckle for bags, showing my new design;
 FIG. 2 is a front view thereof;
 FIG. 3 is a rear view thereof;
 FIG. 4 is a left side view thereof;
 FIG. 5 is a right side view thereof;
 FIG. 6 is a top plan view thereof;
 FIG. 7 is a bottom plan view thereof;
 FIG. 8 is a cross-sectional view taken along the lines A-A of FIG. 2;
 FIG. 9 is a perspective view of thereof connectable male and female members of the buckle, each being engaged with the corresponding belt of a bag;
 FIG. 10 is a perspective view of thereof connectable male and female members of the buckle disconnected from each other;
 FIG. 11 is a perspective view of a buckle for bags;
 FIG. 12 is a front view thereof;
 FIG. 13 is a rear view thereof;
 FIG. 14 is a left side view thereof;
 FIG. 15 is a right side view thereof;
 FIG. 16 is a top plan view thereof; and
 FIG. 17 is a bottom plan view thereof.
 The cross hatching showing belt of bag in FIG. 9 is included for the purpose of illustrating the invention in use, and form no part of the claimed invention.

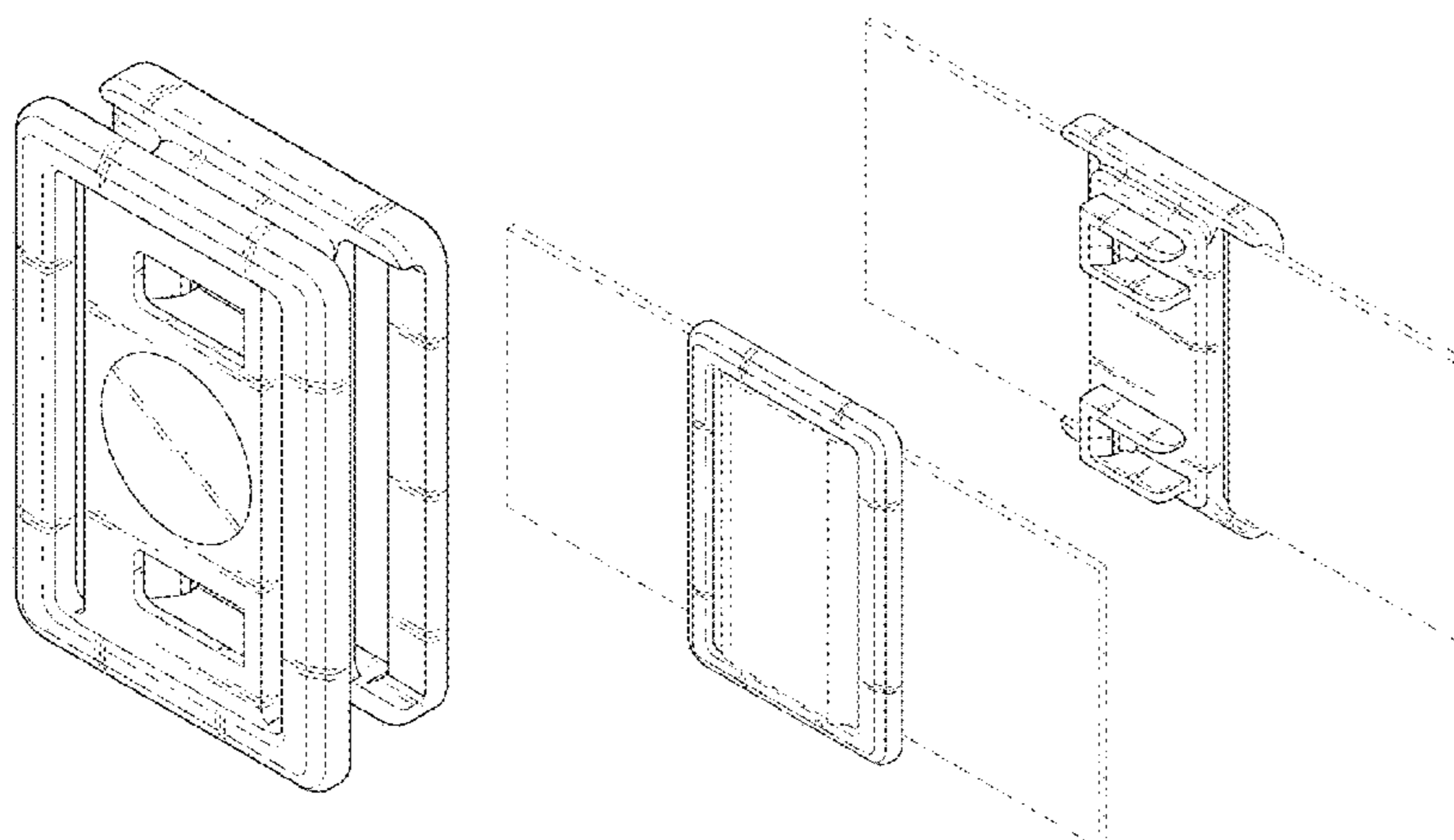
(56) **References Cited**

U.S. PATENT DOCUMENTS

- D91,276 S * 1/1934 Lipman D11/212
- 6,425,139 B1 * 7/2002 Ida A41F 1/008
2/325

(Continued)

1 Claim, 17 Drawing Sheets



(58) **Field of Classification Search**

CPC A44B 11/26; A44B 11/125; A44B 11/223;
A44B 11/001; A44B 11/005; A44B
11/006; A44B 11/2503; A44B 11/2507;
A44B 11/2526; A44B 11/2553; A44B
11/2592; A41F 1/008; A41F 9/002; A41F
9/007; A41F 11/06; B60R 22/30; B60R
22/32; B60R 22/022; B60R 2022/1806;
B60R 2022/1812; B60R 2022/281; B65D
63/16; A62B 35/00

See application file for complete search history.

(56) **References Cited**

U.S. PATENT DOCUMENTS

D670,599	S	*	11/2012	Shaanan	D11/218
D700,540	S	*	3/2014	Kaneko	D11/216
D739,222	S	*	9/2015	Chadbourne	D8/394
D744,658	S	*	12/2015	Hilkey-Boyatt	D11/86
D763,666	S	*	8/2016	Wengreen	D8/356
D805,426	S	*	12/2017	Fildan	D11/216
D811,934	S	*	3/2018	Martinet	D11/218
D816,917	S	*	5/2018	Lee	D30/152
D817,558	S	*	5/2018	Lee	D30/152

* cited by examiner

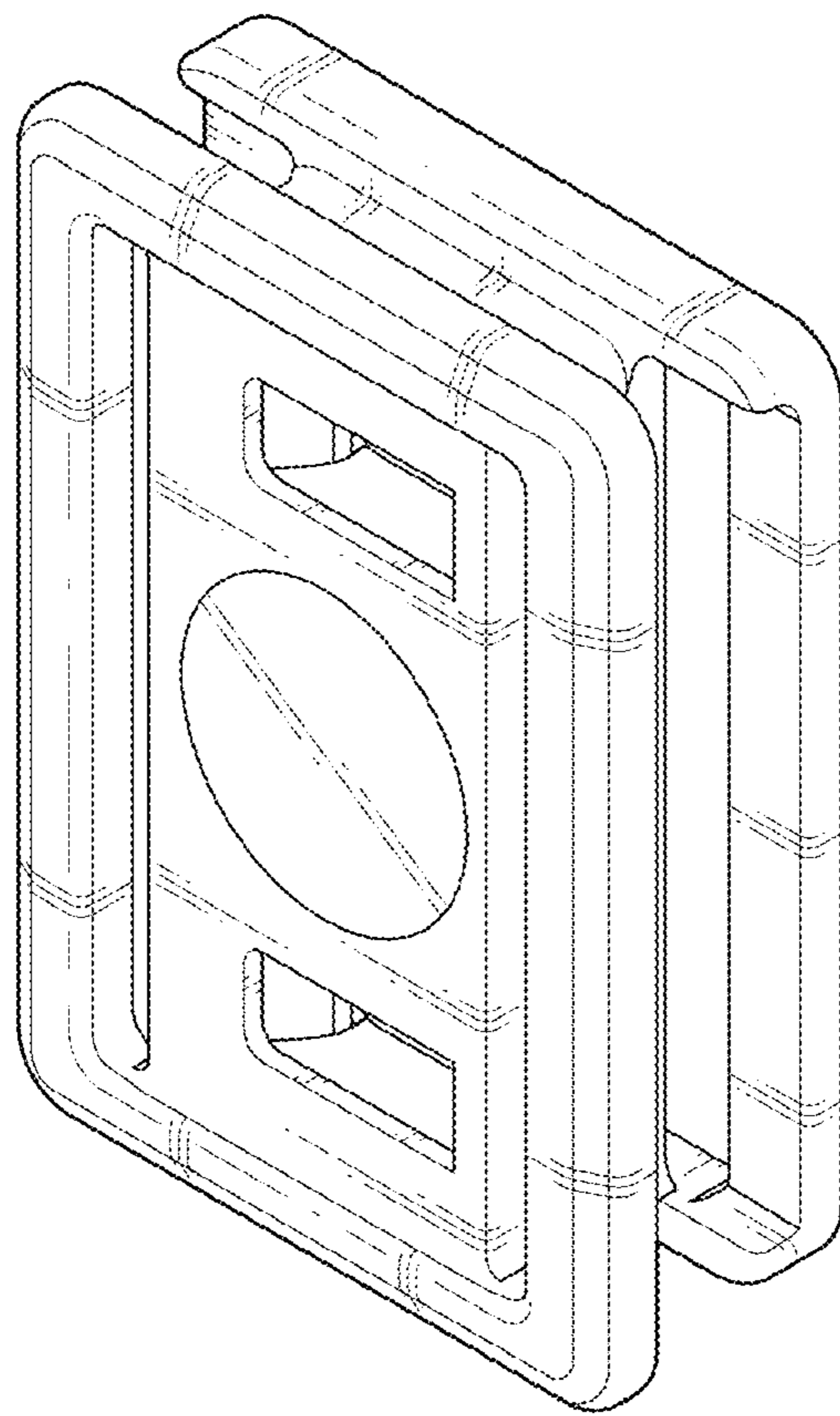


FIG.1

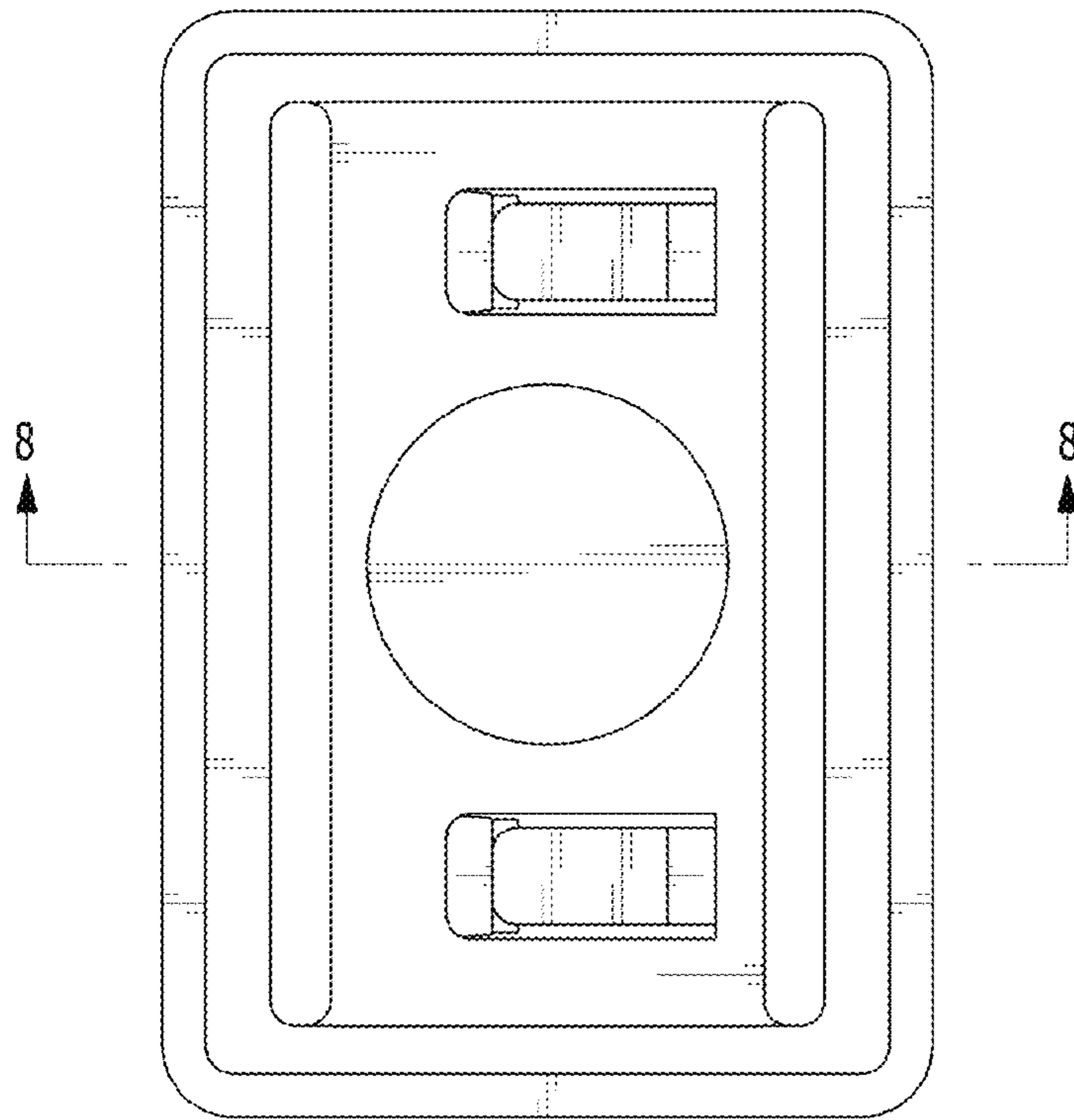


FIG. 2

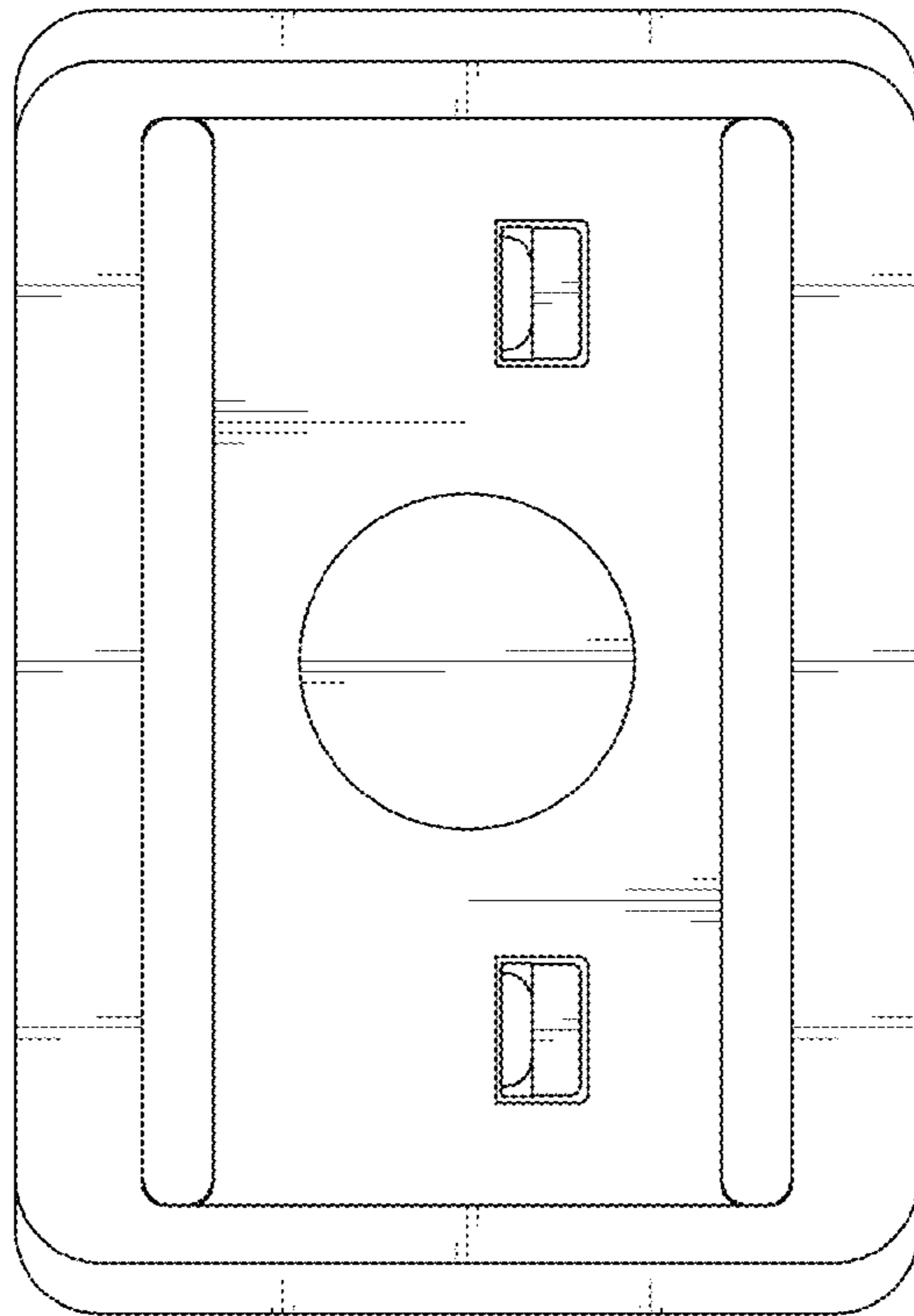


FIG. 3

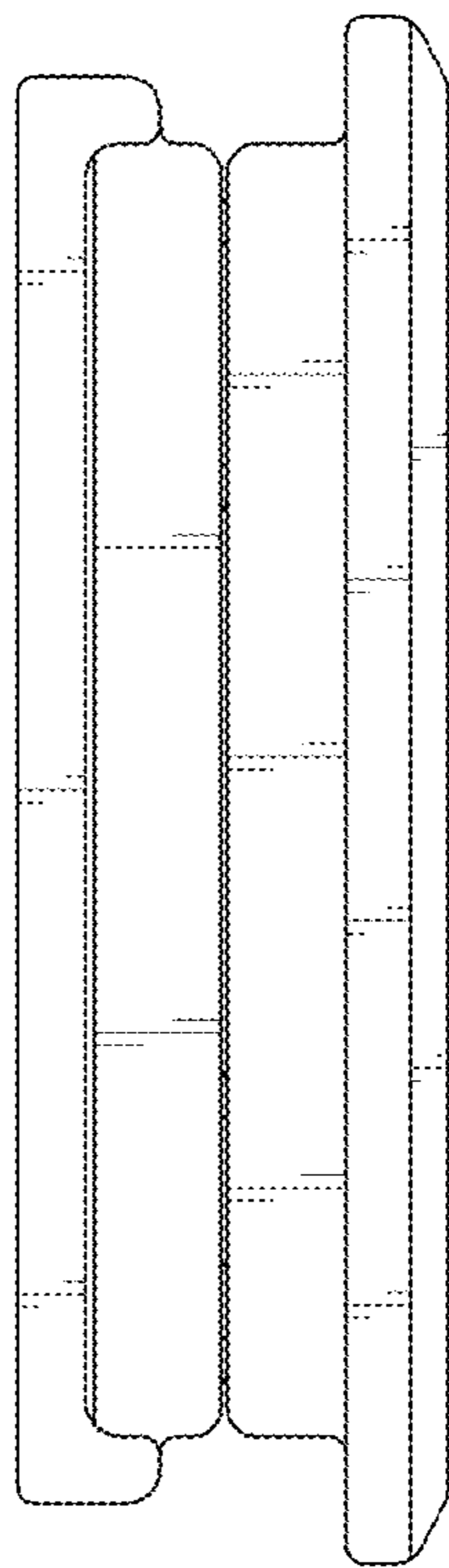


FIG.4

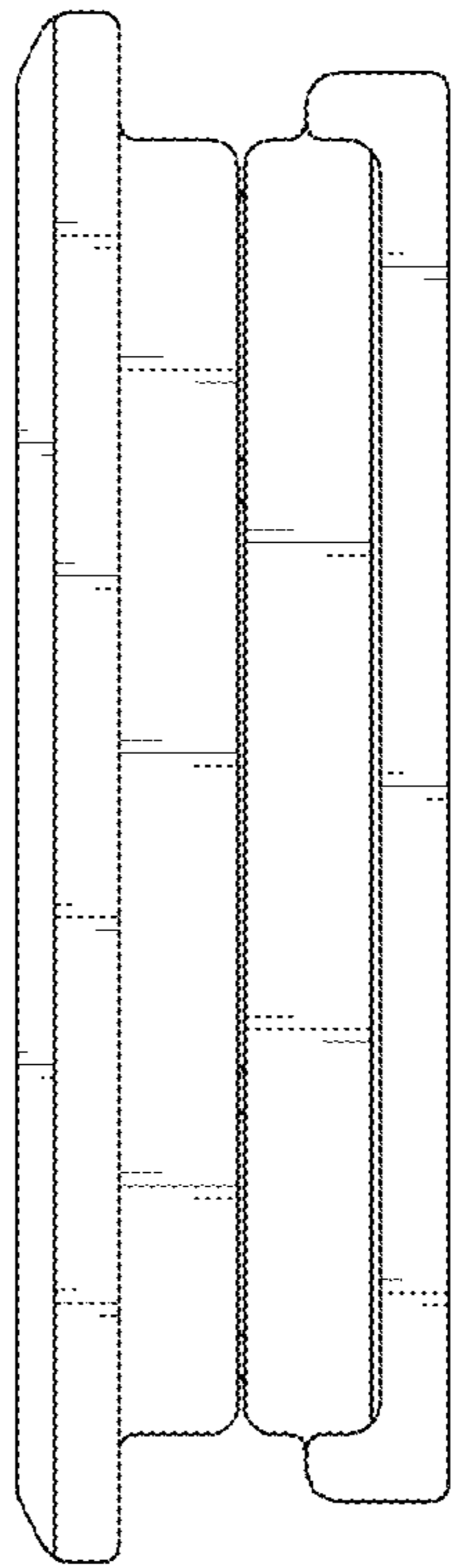


FIG.5

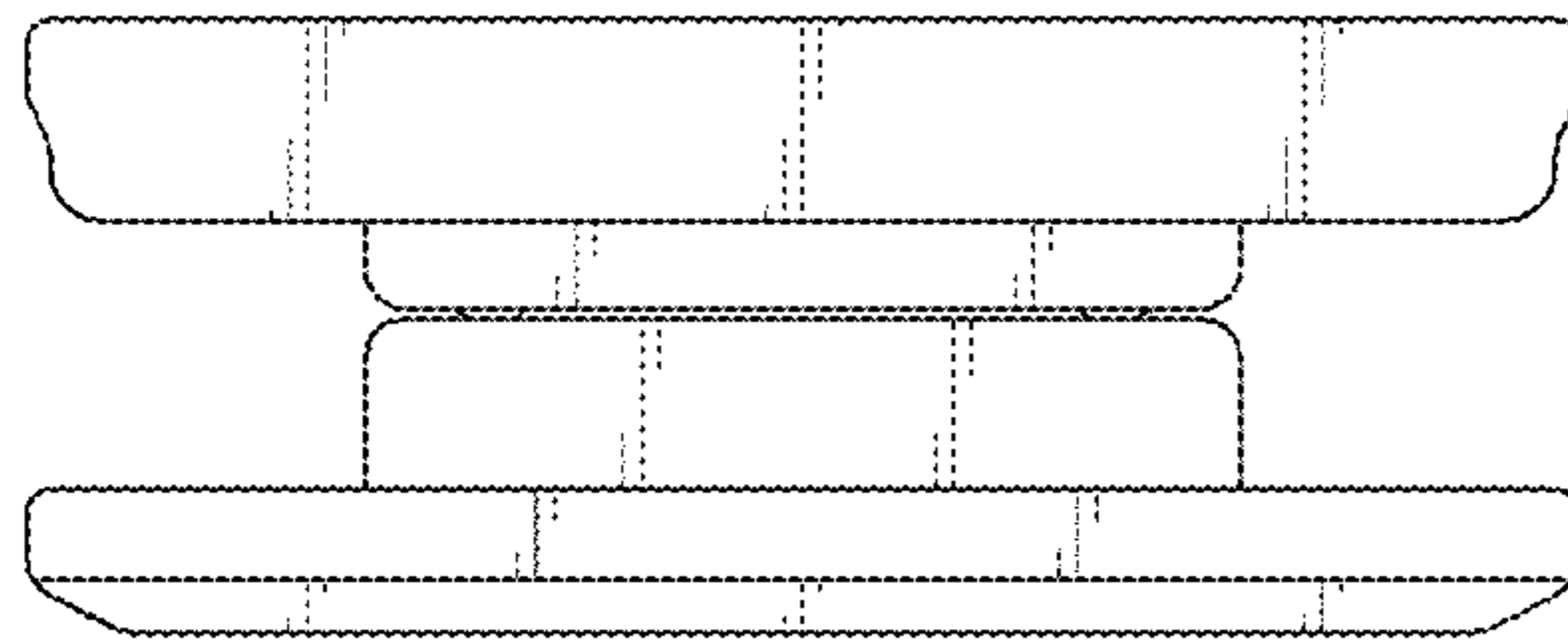


FIG.6

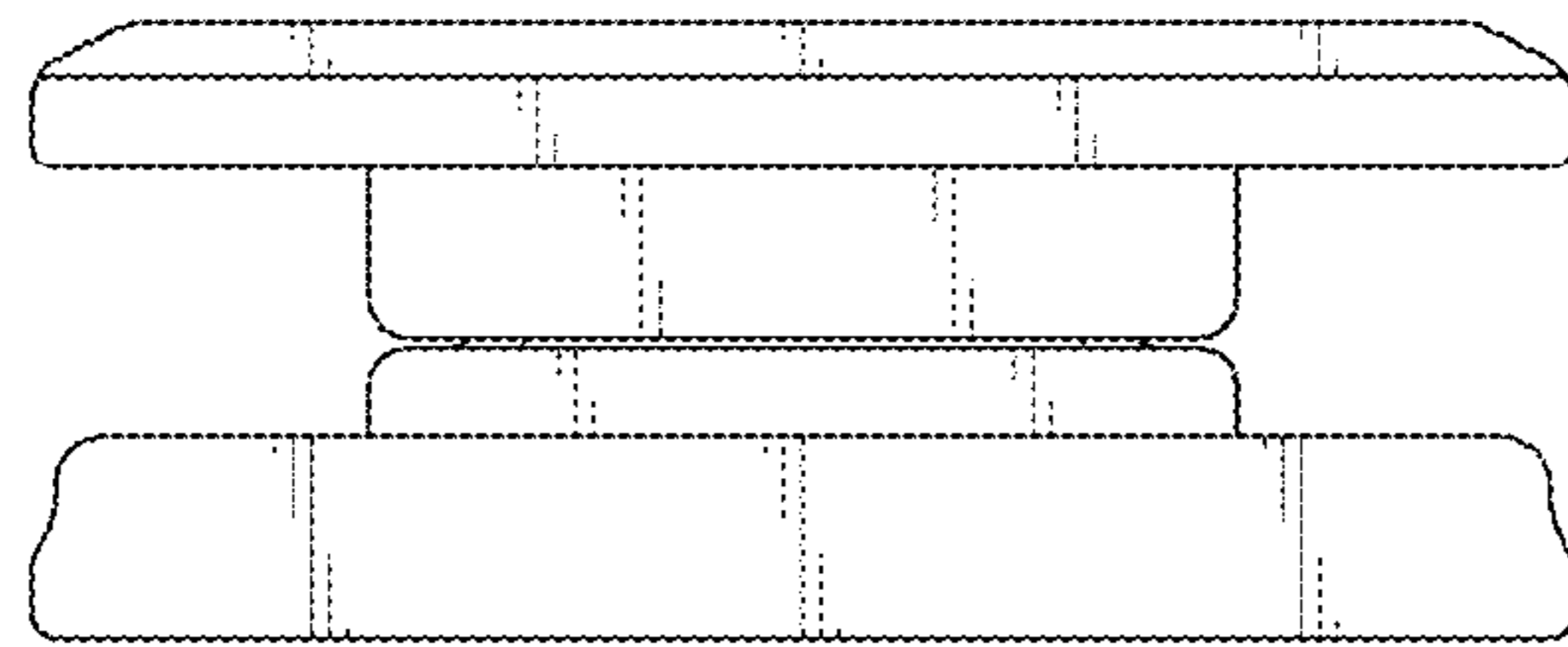


FIG.7

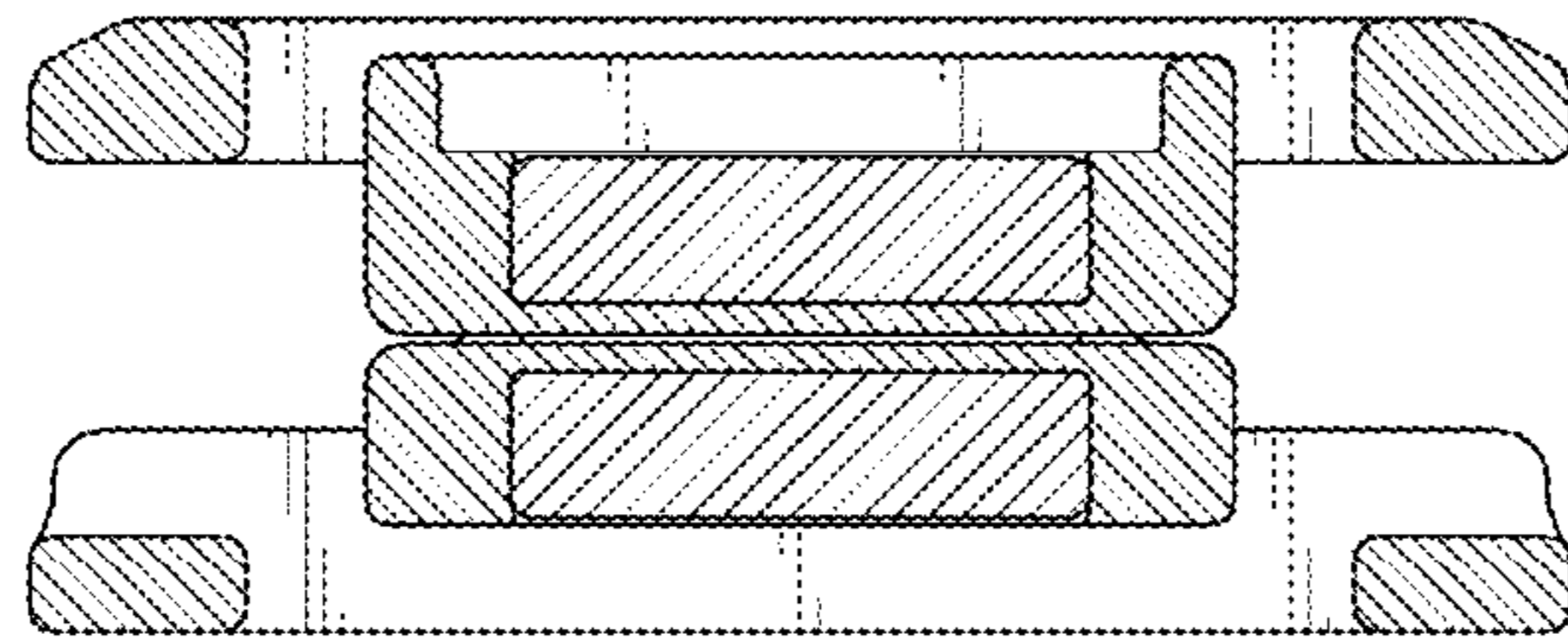


FIG.8

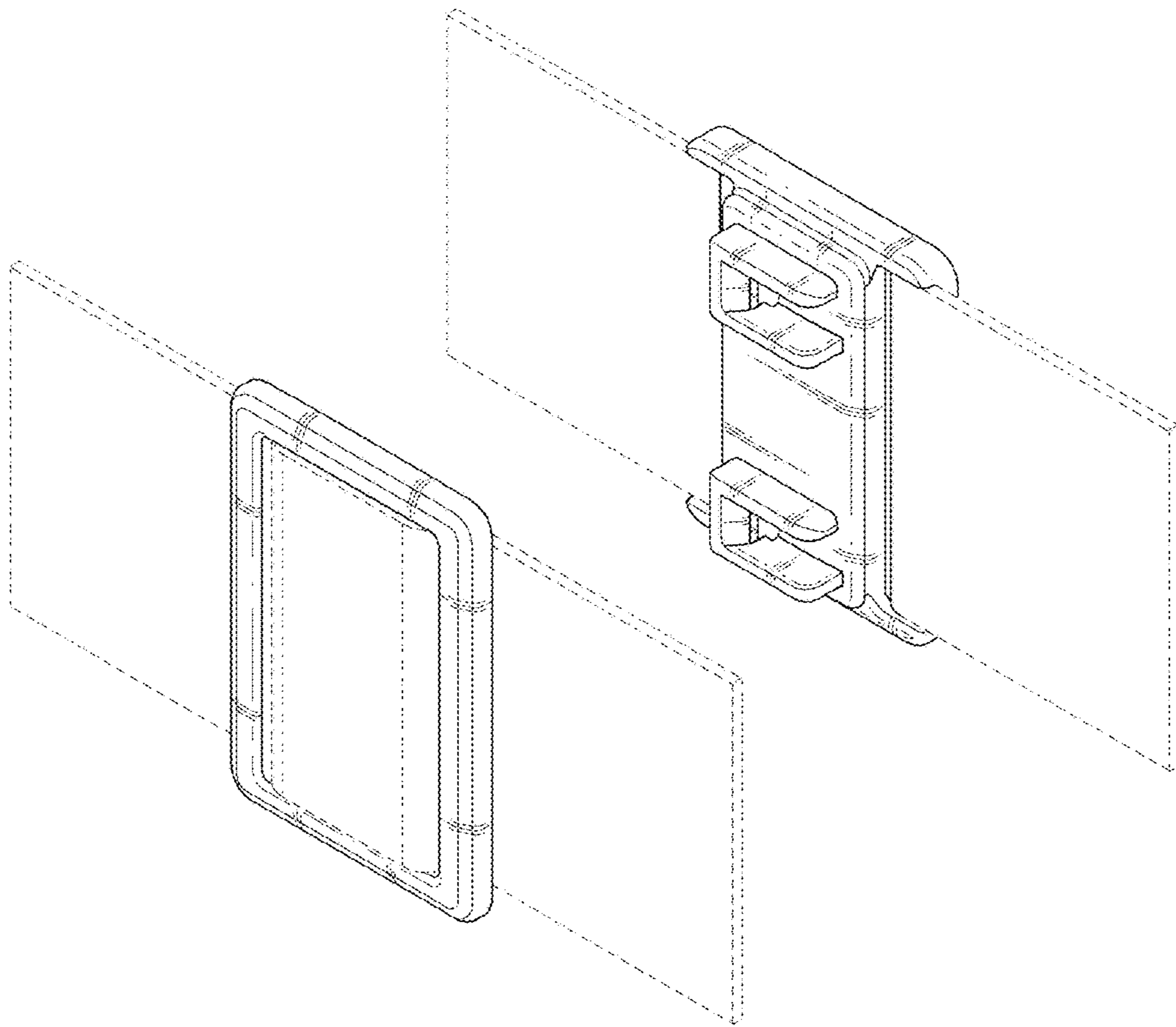


FIG.9

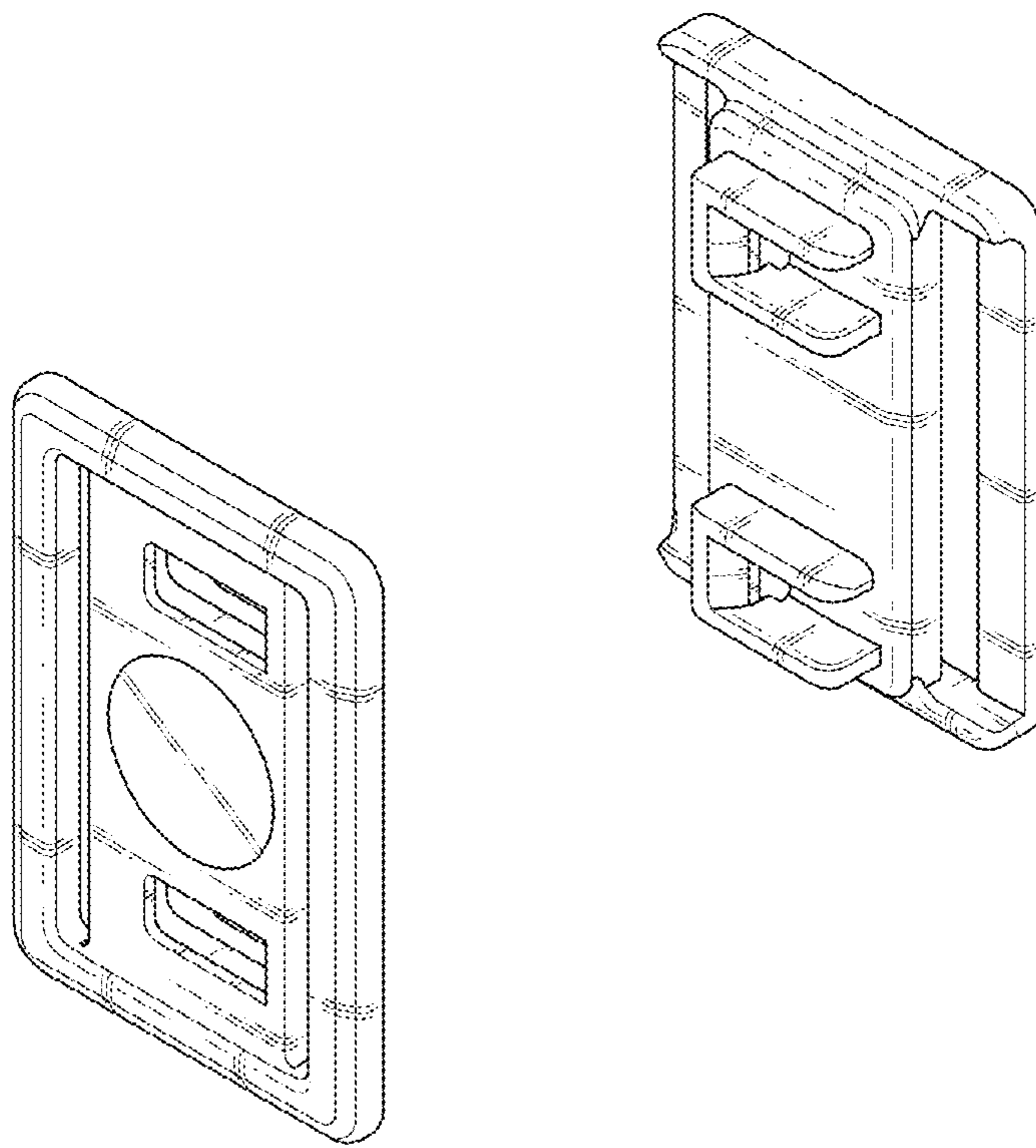


FIG.10

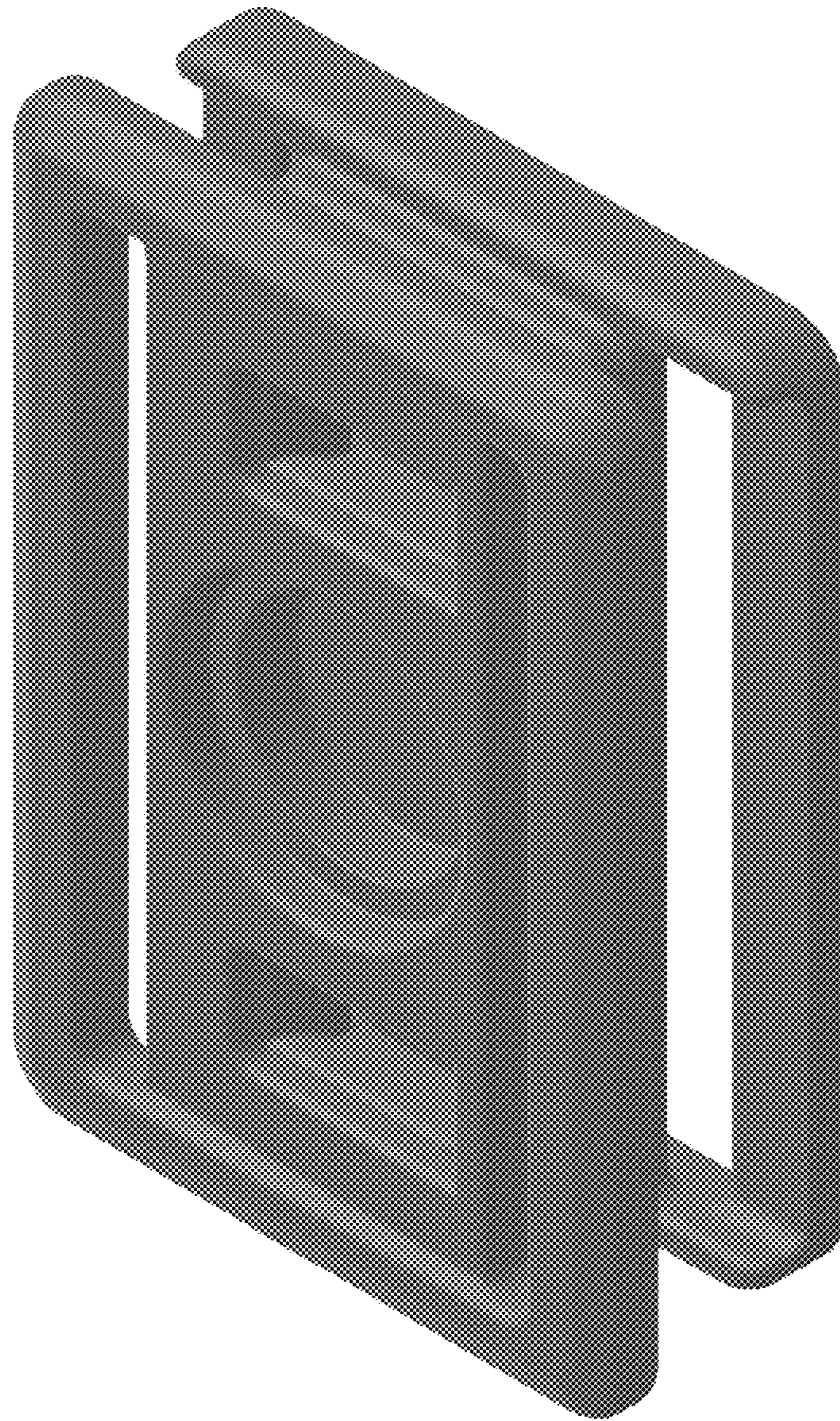


FIG.11

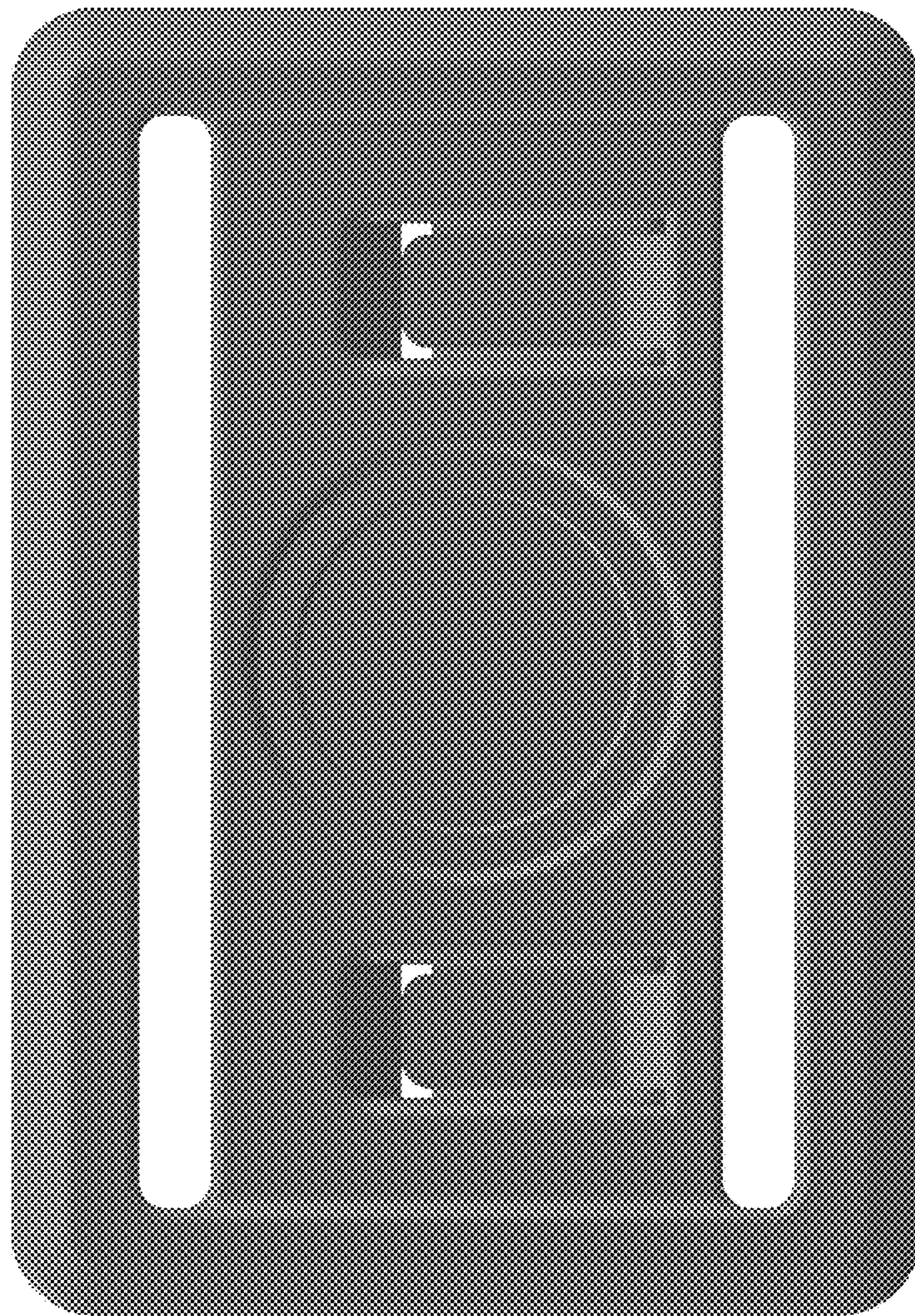


FIG.12

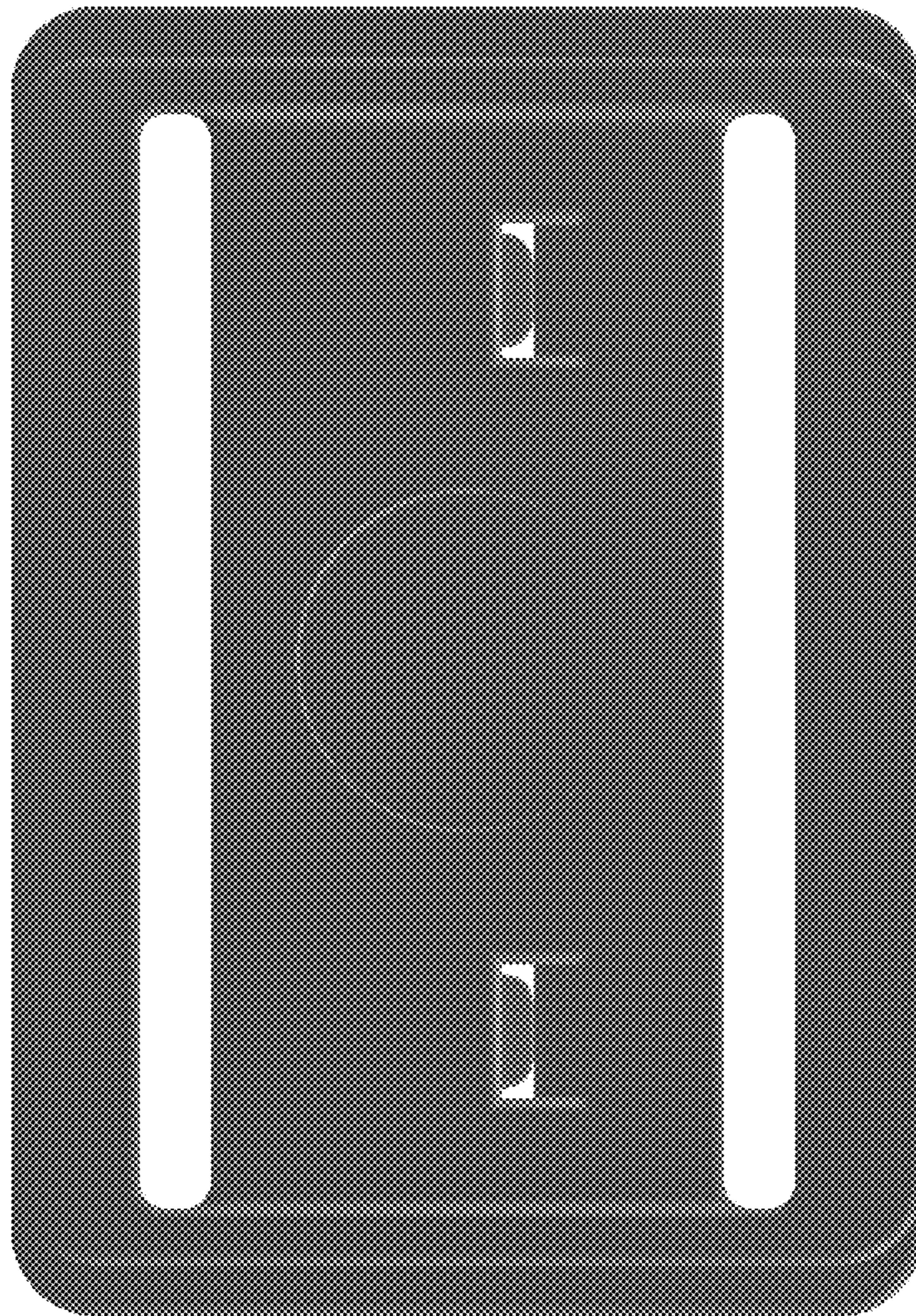


FIG.13

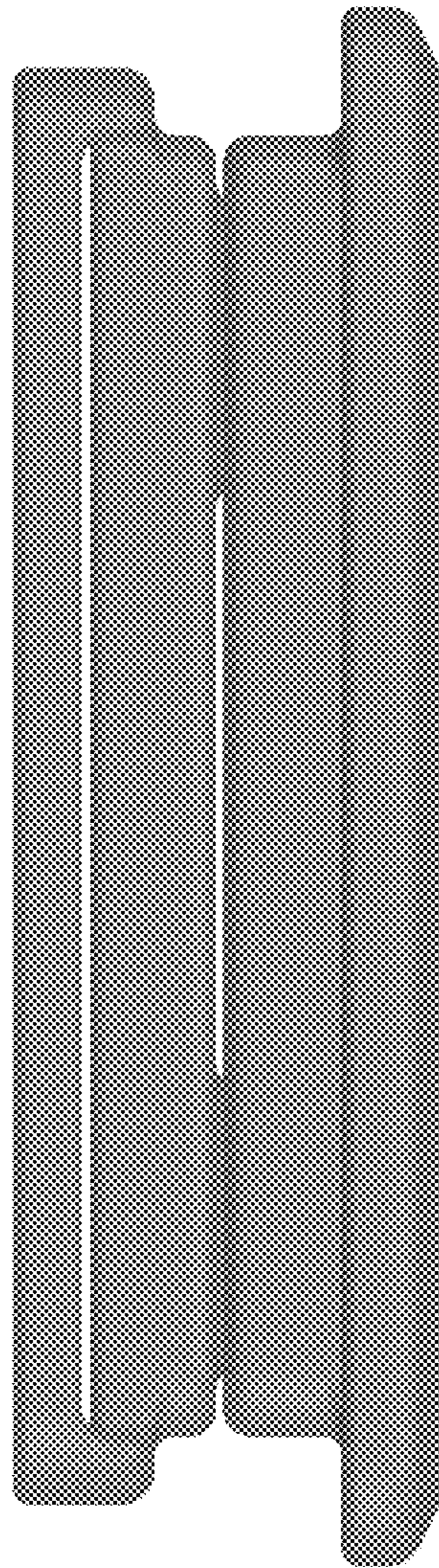


FIG.14

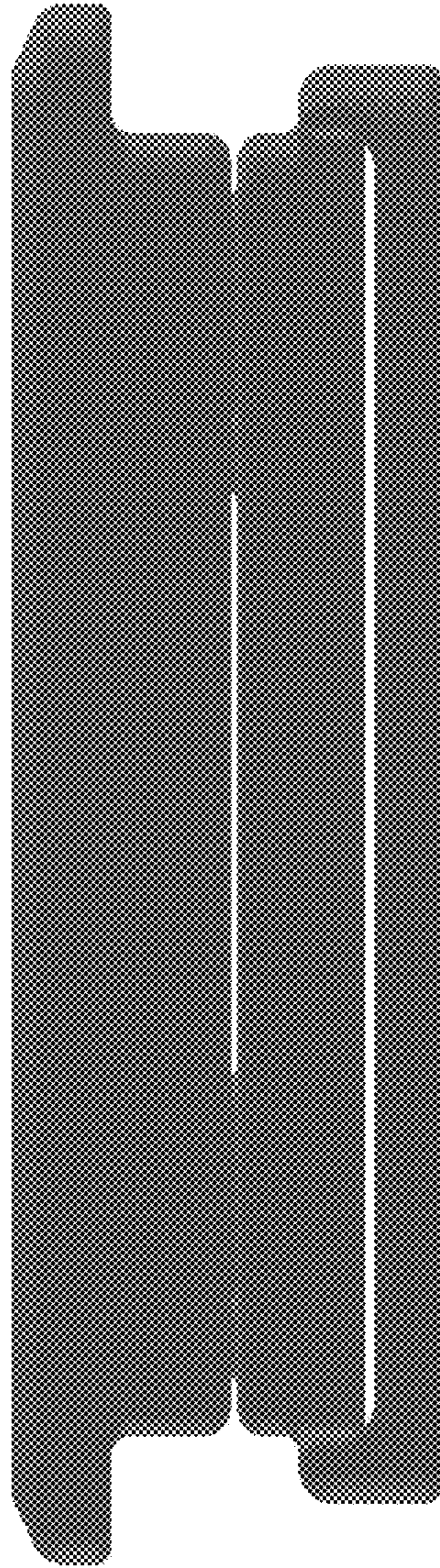


FIG.15

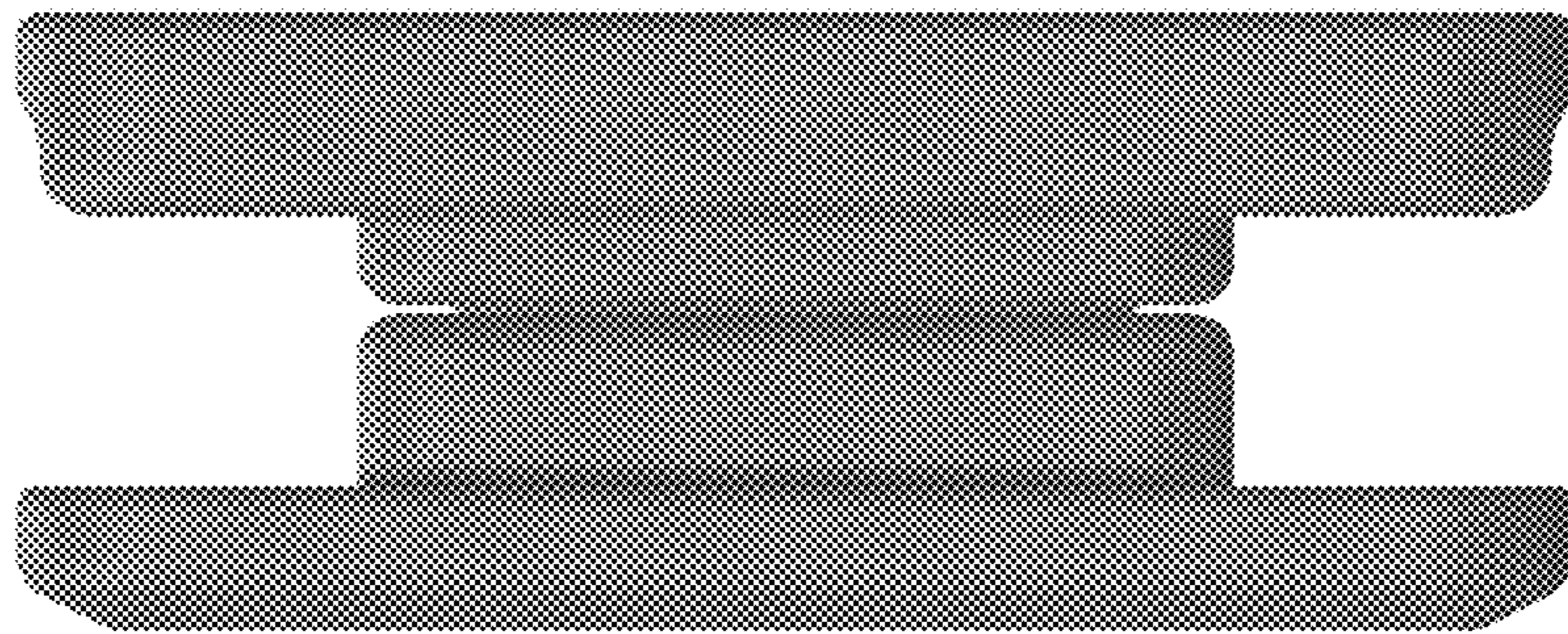


FIG.16

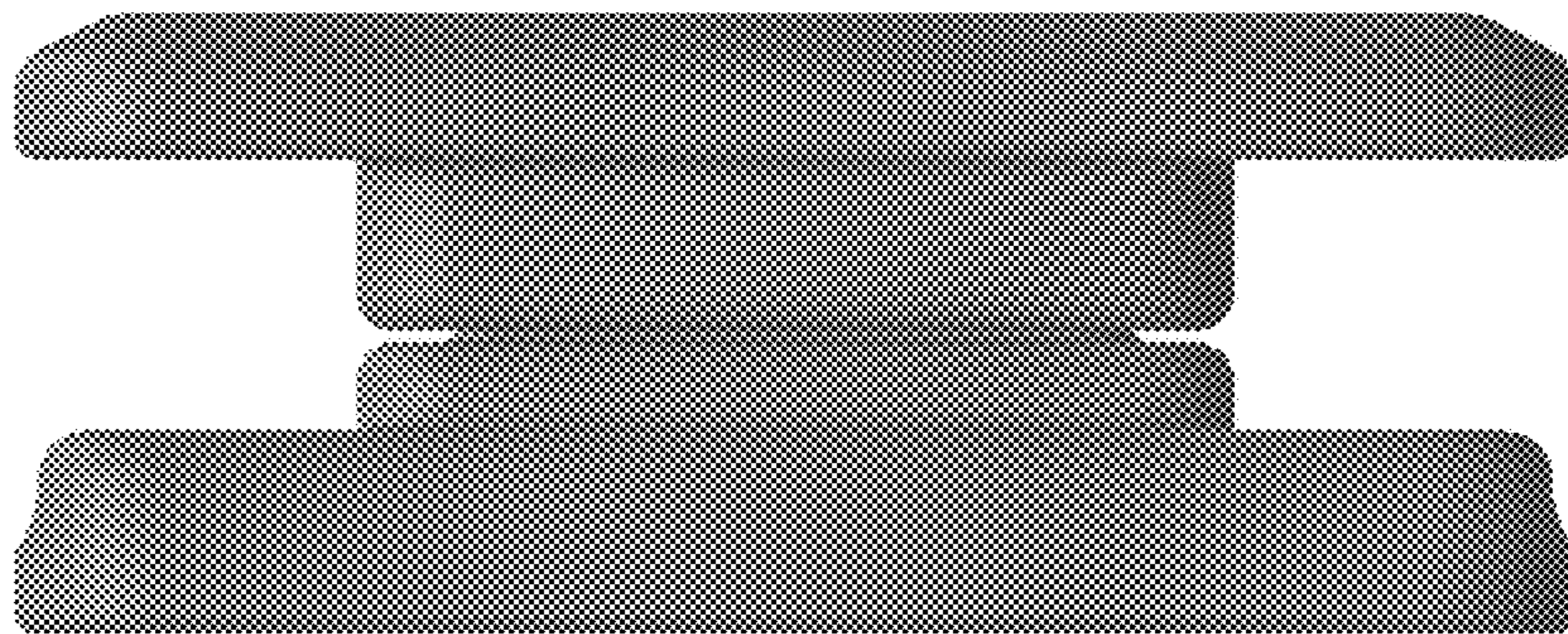


FIG.17