



US00D861533S

(12) **United States Design Patent** (10) **Patent No.:** **US D861,533 S**
Elesmore (45) **Date of Patent:** **** Oct. 1, 2019**

(54) **BRA ACCESSORY**

(71) Applicant: **LAE Products Limited**, Tamworth,
Staffordshire (GB)

(72) Inventor: **Lucy Elesmore**, Tamworth (GB)

(**) Term: **15 Years**

(21) Appl. No.: **29/577,235**

(22) Filed: **Sep. 11, 2016**

(51) **LOC (12) Cl.** **02-07**

(52) **U.S. Cl.**
USPC **D11/215**

(58) **Field of Classification Search**

USPC D11/200–219; 24/163 R, 169–171, 173,
24/177–179, 191, 194–195, 197, 200,
24/614–616, 625, 198, 578.11, 578.1,
24/163 K, 114, 326, 328, 485; D2/705,
D2/706; D8/395; 40/1.5

CPC A44B 11/26; A44B 11/25; A44B 11/06;
A41F 1/00

See application file for complete search history.

(56) **References Cited**

U.S. PATENT DOCUMENTS

- 1,874,871 A * 8/1932 Bower D06F 55/02
24/334
- 2,554,199 A * 5/1951 Lewis D06F 53/005
150/154
- 4,063,333 A * 12/1977 Schweitzer D06F 55/02
24/501
- D251,345 S * 3/1979 Bigelow D32/64
- 4,277,864 A * 7/1981 Orson, Sr. A44B 99/00
24/327
- D267,833 S * 2/1983 Anderson D11/202
- D277,534 S * 2/1985 Warmath D32/61
- D298,703 S * 11/1988 Arnold D32/64
- D302,654 S * 8/1989 Cetrone D32/61
- D303,216 S * 9/1989 Hoffman D19/65

- D309,207 S * 7/1990 Sporer 24/507
- D316,333 S * 4/1991 Maki D32/64
- D317,116 S * 5/1991 Nimtz D32/64
- D322,390 S * 12/1991 Nimtz D32/64
- D323,588 S * 2/1992 Pelosi D32/64
- D328,668 S * 8/1992 Legrand D2/978
- D340,328 S * 10/1993 Dragoneas D32/61
- D342,890 S * 1/1994 Ramierz D8/395
- 5,655,270 A * 8/1997 Boisvert A45F 5/02
24/301
- D399,986 S * 10/1998 Schultheis D2/623
- D467,050 S * 12/2002 Russo D32/64
- D571,179 S * 6/2008 Ahlgren D8/395
- D595,124 S * 6/2009 Heffner D8/395
- D663,422 S * 7/2012 Missanelli D24/169
- D665,246 S * 8/2012 Laguelle D8/395

(Continued)

OTHER PUBLICATIONS

Ultimate Cleavage clips/Bra strap converter, ebay.co.uk, [online],
[site visited Nov. 20, 2017]. <URL: <https://www.ebay.co.uk/itm/Ultimate-Cleavage-clips-Bra-strap-converter-Racer-back-clips-cleavage-enhancers-> (Year: 2017).*

(Continued)

Primary Examiner — T Chase Nelson
Assistant Examiner — Jonathan J. Han

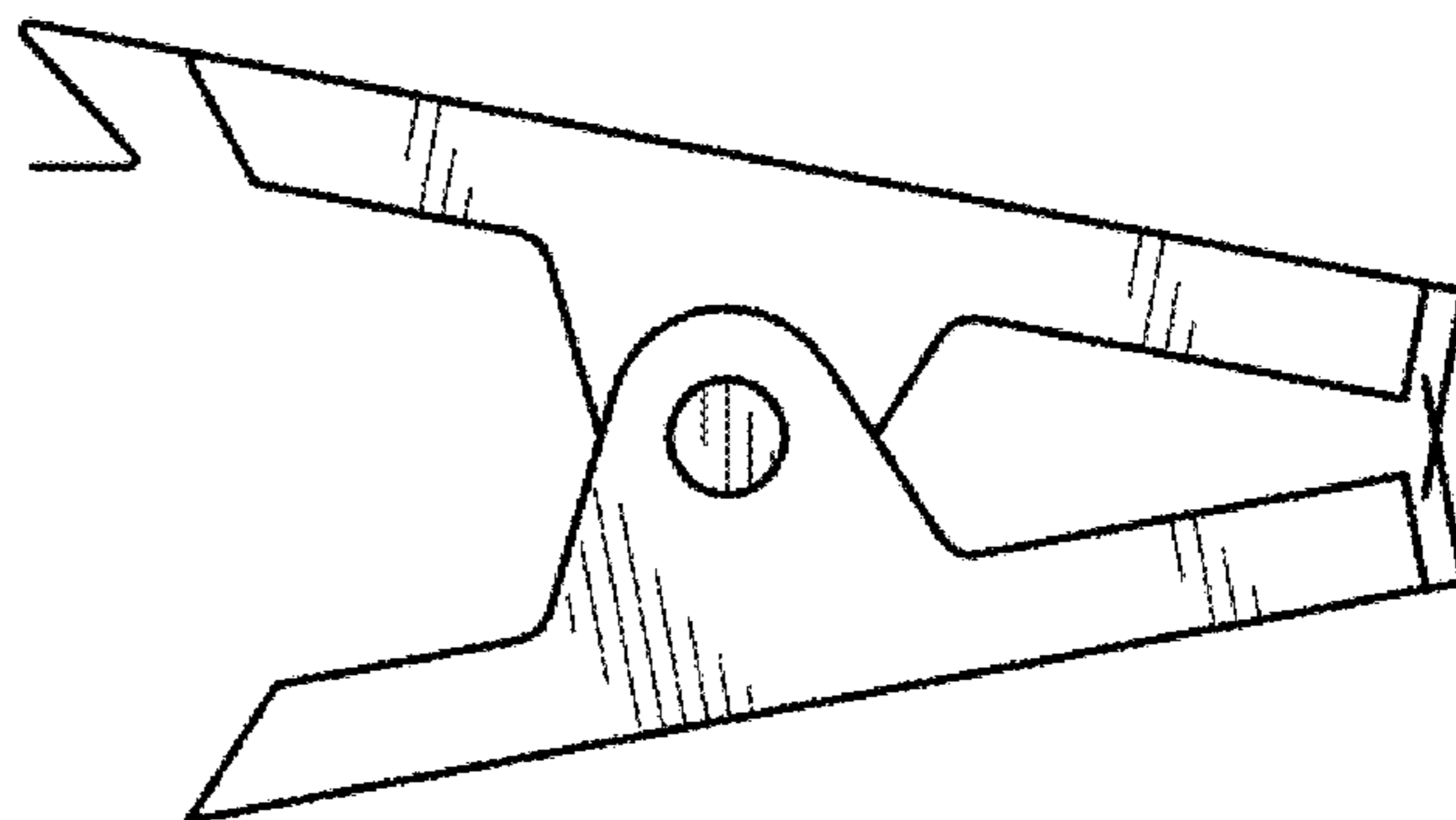
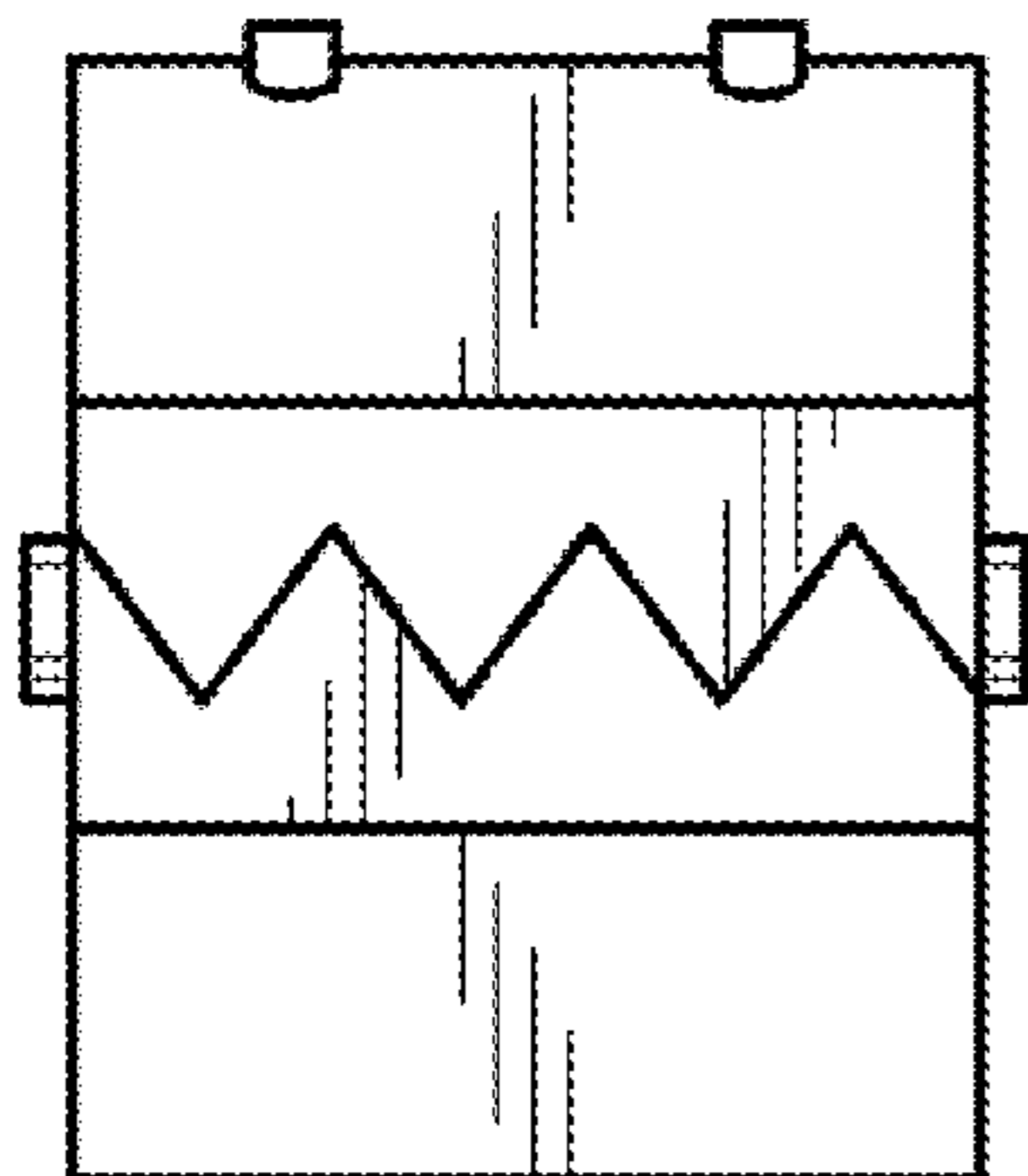
(57) **CLAIM**

An ornamental design for a bra accessory, as shown and described.

DESCRIPTION

FIG. 1 is a front view of a bra accessory;
FIG. 2 is a first side view of the bra accessory of FIG. 1;
FIG. 3 is a second side view of the bra accessory of FIG. 1;
FIG. 4 is a back view of the bra accessory of FIG. 1;
FIG. 5 is a top view of the bra accessory of FIG. 1; and,
FIG. 6 is a bottom view of the bra accessory of FIG. 1.

1 Claim, 1 Drawing Sheet



(56)

References Cited

U.S. PATENT DOCUMENTS

D784,192 S * 4/2017 Lasater D11/215
D785,445 S * 5/2017 Hong D8/395
D791,642 S * 7/2017 Elesmore D11/202
D791,643 S * 7/2017 Elesmore D11/202
D792,280 S * 7/2017 Elesmore D11/202

OTHER PUBLICATIONS

Ultimate Cleavage Enhancer/Bra strap converter/Breast Support, YouTube.com, Ultimate Cleavage, Published on Jul. 31, 2016, [online], [site visited Nov. 20, 2017]. <URL: https://www.youtube.com/watch?v=h-4OoAh_zto> (Year: 2016).*

Getting the most out of Ultimate Cleavage Clips, UltimateCleavage.co.uk, [online], [site visited Nov. 20, 2017]. <URL: <https://ultimatecleavage.co.uk/important-tips/>> (Year: 2017).*

High Quality Clips for Car Emergency Jump Starter, AliExpress.com, [online], [site visited Nov. 20, 2017]. <URL: <https://www.aliexpress.com/item/High-Quality-Clips-for-Car-Emergency-Jump-Starter-Auto-Car-Engine-Booster-Storage-Battery-Clamp-Accessories/32697433326.html?spm=2114.40010708.4.5.5deC1R>> (Year: 2017).*

Mini-Clothespins—Ivory (25 pieces), CanvasCorpBrands.com, [online], [site visited Nov. 20, 2017]. <URL: <https://shop.canvascorpbrands.com/collections/clothespins/products/mini-clothespins-ivory-25-pieces>> (Year: 2017).*

Blossom Clip—Cleavage Enhancing Bra Attachment, Etsy.com, [online], [site visited Nov. 20, 2017]. <URL: <https://www.etsy.com/listing/126031757/blossom-clip-cleavage-enhancing-bra?>> (Year: 2017).*

* cited by examiner

FIG. 1

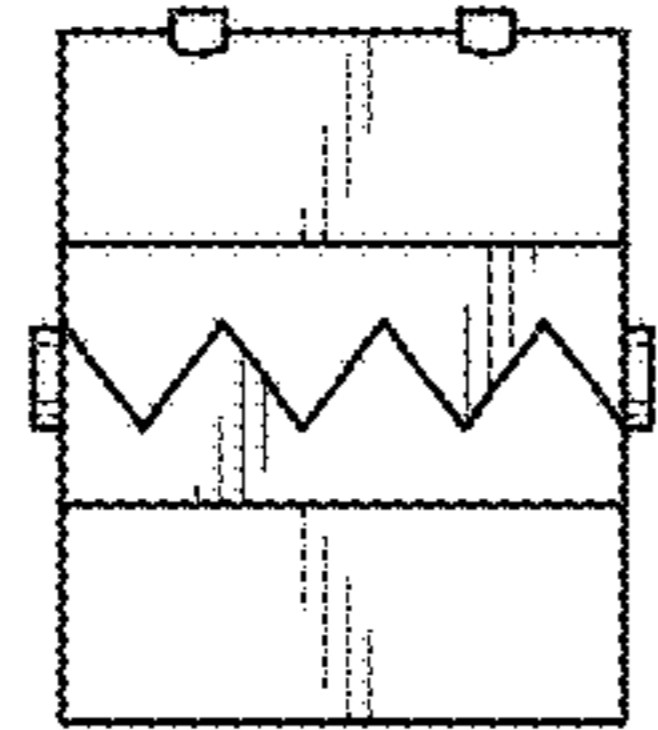


FIG. 4

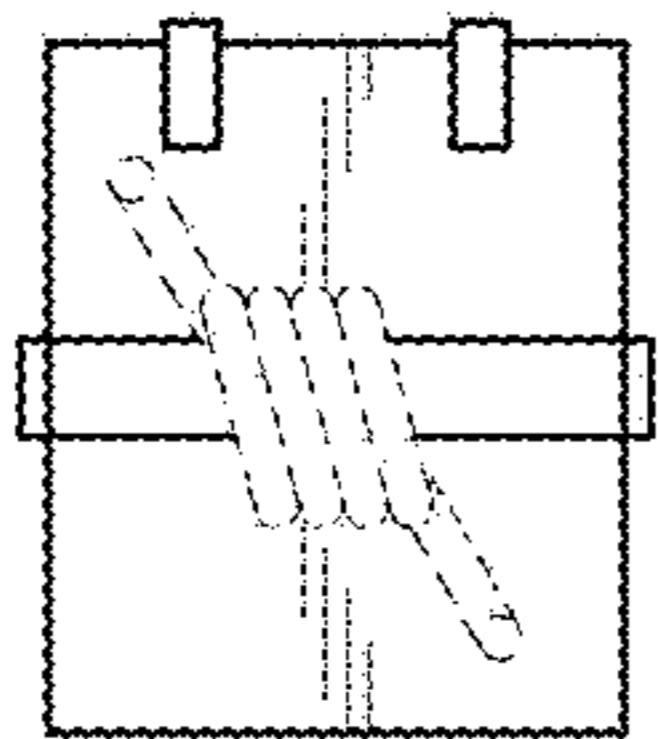


FIG. 2

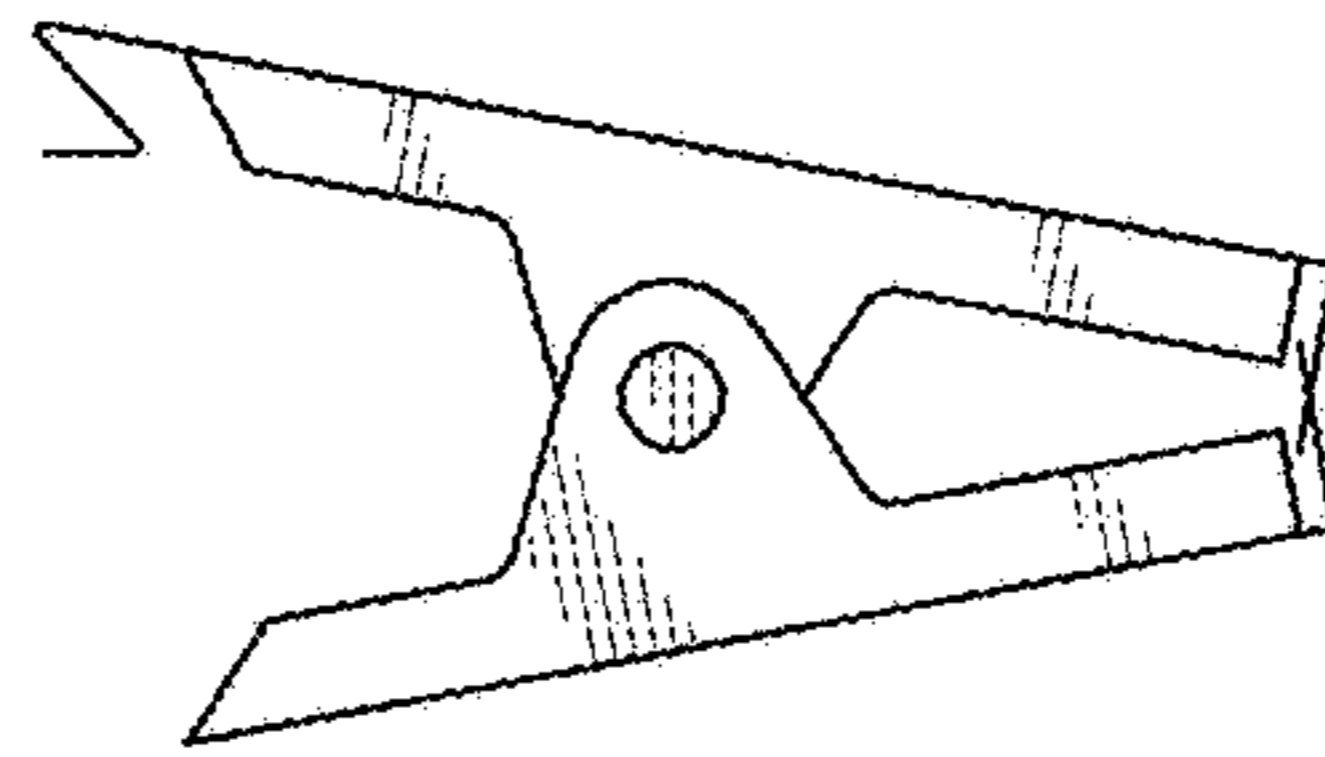


FIG. 3

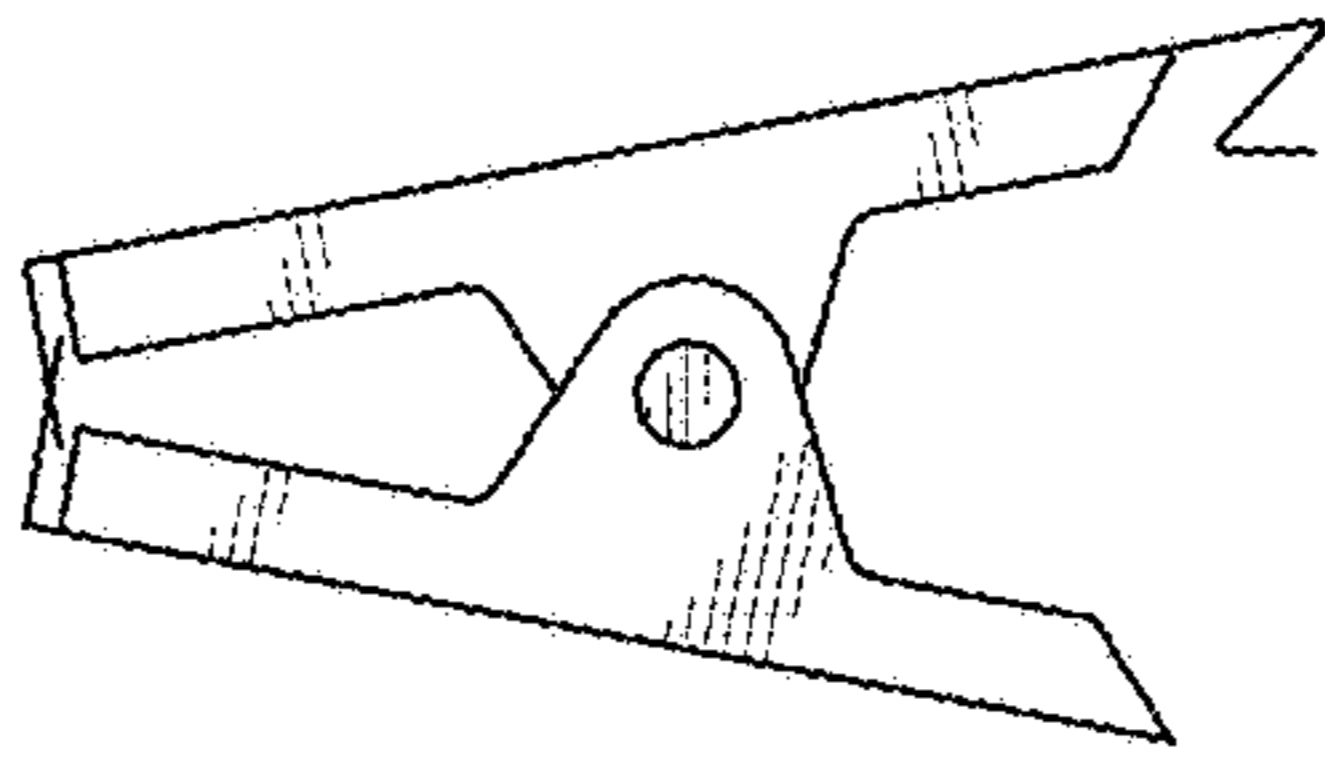


FIG. 5

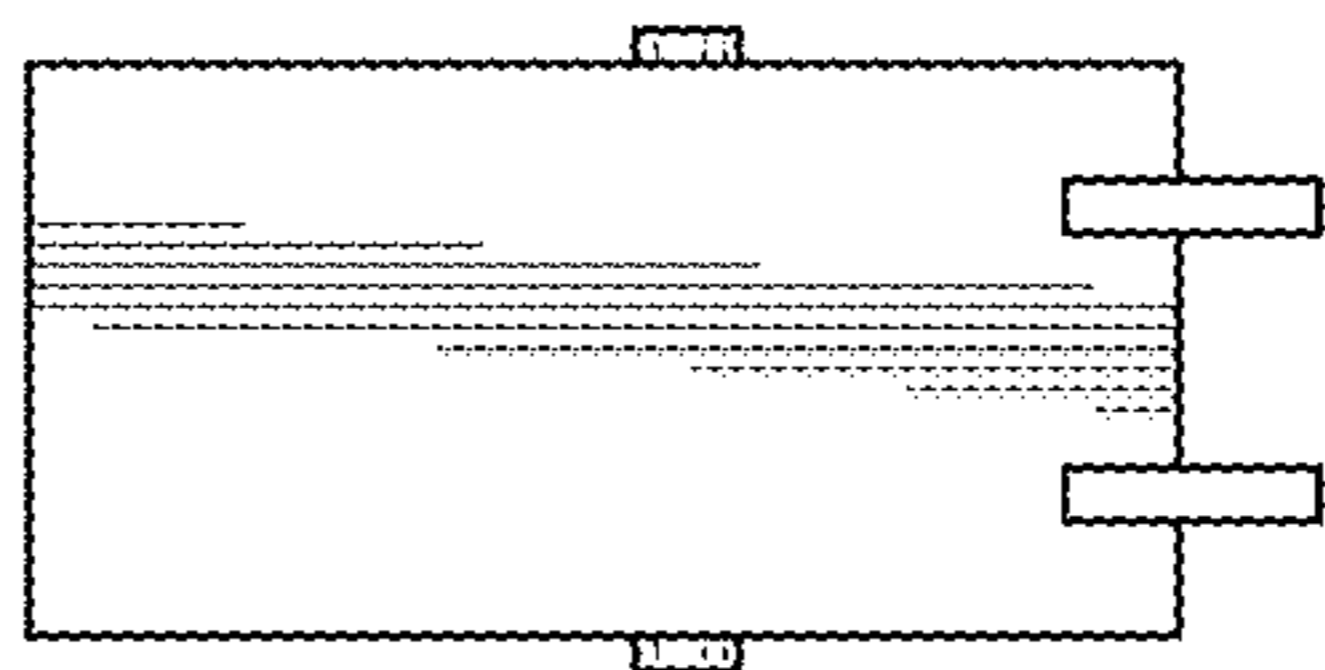


FIG. 6

