



US00D861531S

(12) **United States Design Patent** (10) **Patent No.:** **US D861,531 S**
Nigam (45) **Date of Patent:** **** Oct. 1, 2019**

(54) **JEWELRY**

(71) Applicant: **ORIENTAL GEMCO NY INC.**, New York, NY (US)
(72) Inventor: **Pravesh Nigam**, New York, NY (US)
(73) Assignee: **ORIENTAL GEMCO NY INC.**, New York, NY (US)

(**) Term: **15 Years**

(21) Appl. No.: **29/649,050**

(22) Filed: **May 25, 2018**

(51) **LOC (12) Cl.** **11-01**

(52) **U.S. Cl.**
USPC **D11/87**

(58) **Field of Classification Search**
USPC D11/1-29, 86-88
CPC A44C 5/00; A44C 5/002; A44C 5/14
See application file for complete search history.

(56) **References Cited**

U.S. PATENT DOCUMENTS

1,795,674	A	3/1931	Potter	
2,040,428	A *	5/1936	Candas	A44C 5/00 24/616
2,163,208	A *	6/1939	Moody	A44C 5/14 224/177
4,246,679	A	1/1981	Monett	
5,208,929	A *	5/1993	Chou	A44C 5/02 7/101
D347,402	S *	5/1994	Kemp	D11/86
D423,395	S *	4/2000	Parker	D11/86
8,573,003	B2	11/2013	Kaupp	
8,601,784	B2 *	12/2013	Kaltenrieder	A44C 5/185 24/265 B
9,339,091	B2	5/2016	Kaupp	
9,420,858	B2	8/2016	Rafaelian	
2015/0282575	A1	10/2015	Smith	

OTHER PUBLICATIONS

Friendship Cord Bracelets, Pandora Jewelry US, <<https://us.pandora.net/en/bracelets/cord/?src=categorySearch&position=top>>, Accessed Aug. 24, 2018.
Women's Charm, Bangle, Wrap & Beaded Bracelets, Alex and Ani, <<https://www.alexandani.com/bracelets.html>>, Accessed Aug. 24, 2018.

(Continued)

Primary Examiner — Zenia I Bennett

(74) *Attorney, Agent, or Firm* — Hodgson Russ LLP

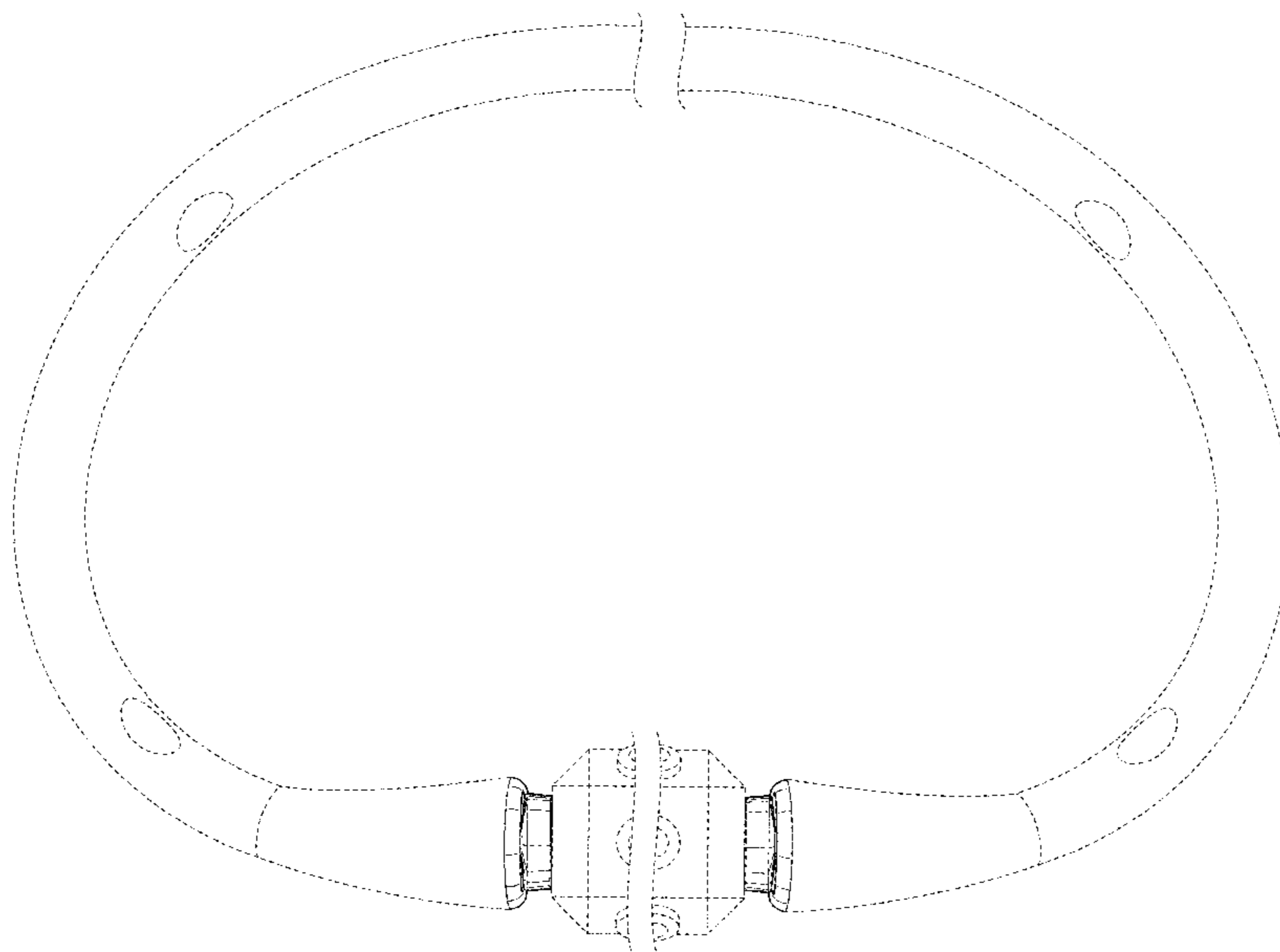
(57) **CLAIM**

The ornamental design for jewelry, as shown and described.

DESCRIPTION

FIG. 1 is a perspective view of jewelry, showing my new design;
FIG. 2 is a perspective view thereof, showing the connector portion separate for convenience of illustration;
FIG. 3 is left side elevation view thereof, the right side elevation view being mirror symmetrical thereto;
FIG. 4 is a front elevation view thereof, the rear elevation view being mirror symmetrical thereto;
FIG. 5 is a perspective view thereof, showing the jewelry;
FIG. 6 is a perspective view thereof, showing the two end caps of the jewelry separate for convenience of illustration;
FIG. 7 is a front elevation view thereof, the rear elevation view being mirror symmetrical thereto; and,
FIG. 8 is a right side elevation view thereof, the left side elevation view being mirror symmetrical thereto.
The broken lines depict unclaimed features of the jewelry that form no part of the claimed design. The even-length break lines are imaginary lines and designate that an indeterminate length is claimed.

1 Claim, 6 Drawing Sheets



(56)

References Cited

OTHER PUBLICATIONS

Bracelets for Women, Pandora Jewelry US, <<https://us.pandora.net/en/bracelets/?src=categorySearch&position=top>>, Accessed Aug. 24, 2018.

Leather Bracelets, Bracelets, Jewelry, Chamilia, <<https://chamilia.com/jewelry/bracelets/leather-bracelets.html>>, Accessed Aug. 24, 2018.

Bracelets, Jewelry, Chamilia, <<https://chamilia.com/jewelry/bracelets.html>>, Accessed Aug. 24, 2018.

Cords + Threads Women's Charm, Bangle, Wrap & Beaded Bracelets, Alex and Ani, <<https://www.alexandani.com/bracelets/bracelets-types/cords--threads.html>>, Accessed Aug. 24, 2018.

Bangles—Open and Closed, Pandora, <<https://us.pandora.net/en/bracelets/bangles/?src=categorySearch&position=top>>, Accessed Aug. 24, 2018.

* cited by examiner

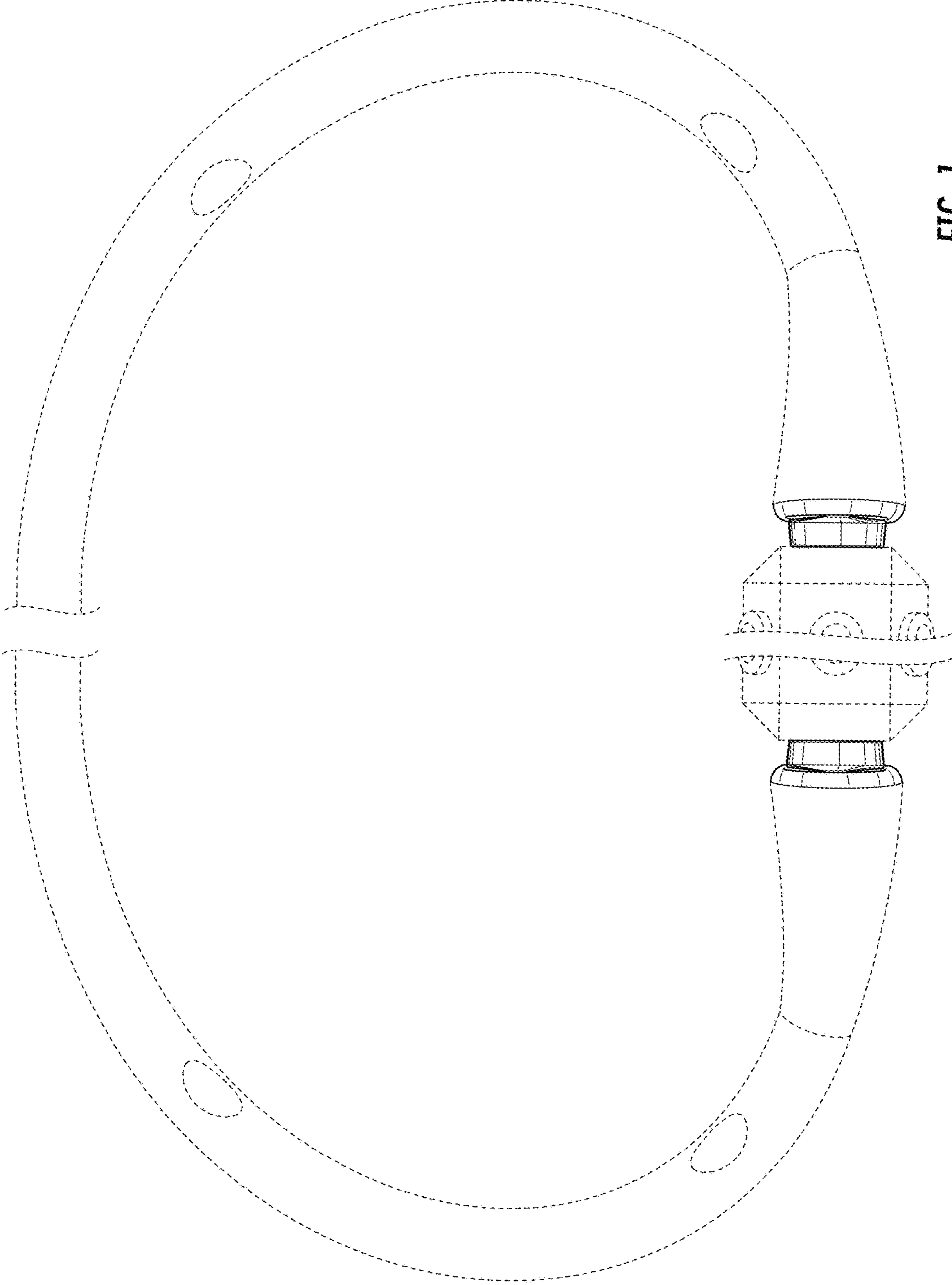


FIG. 1

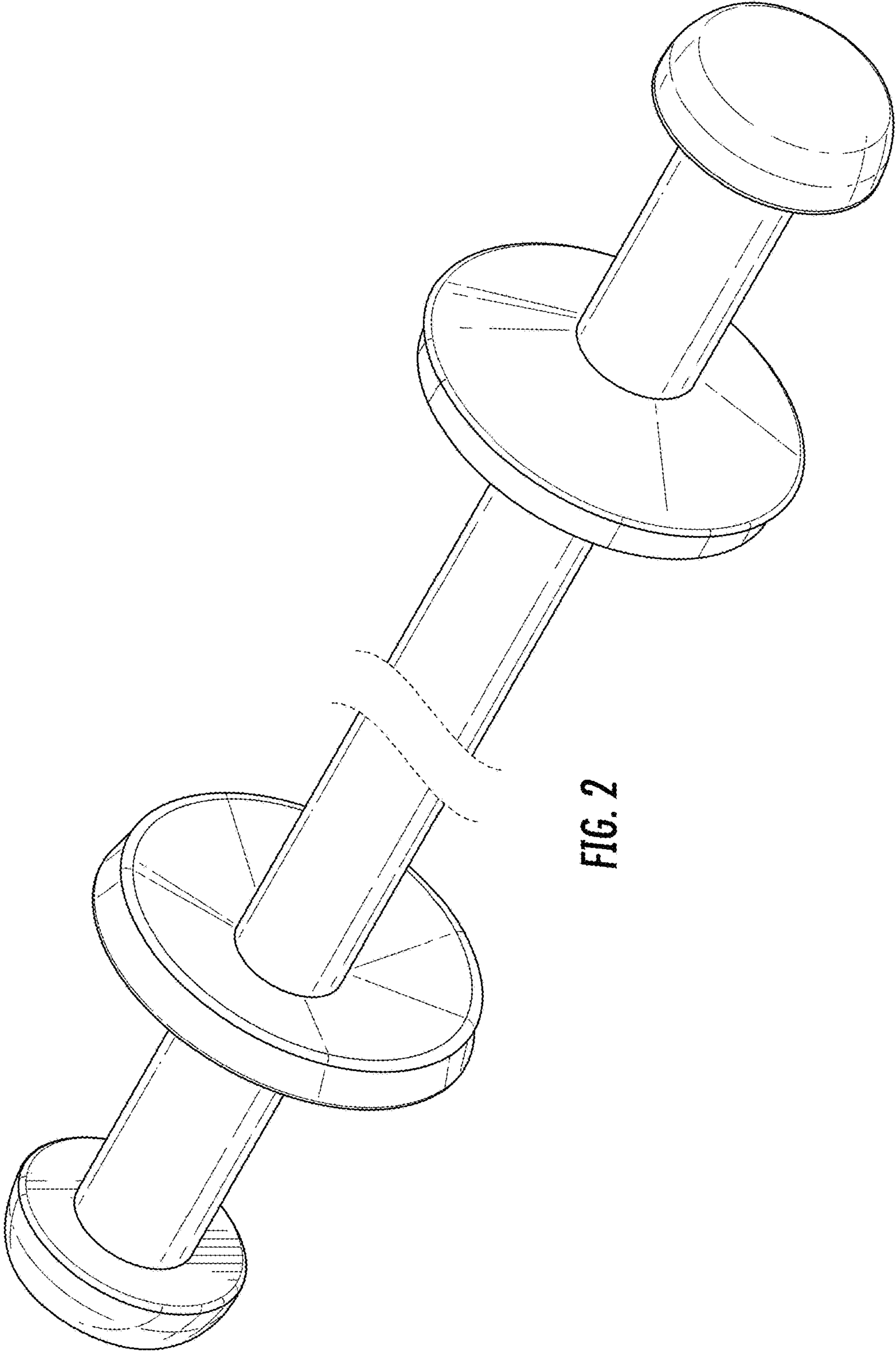


FIG. 2

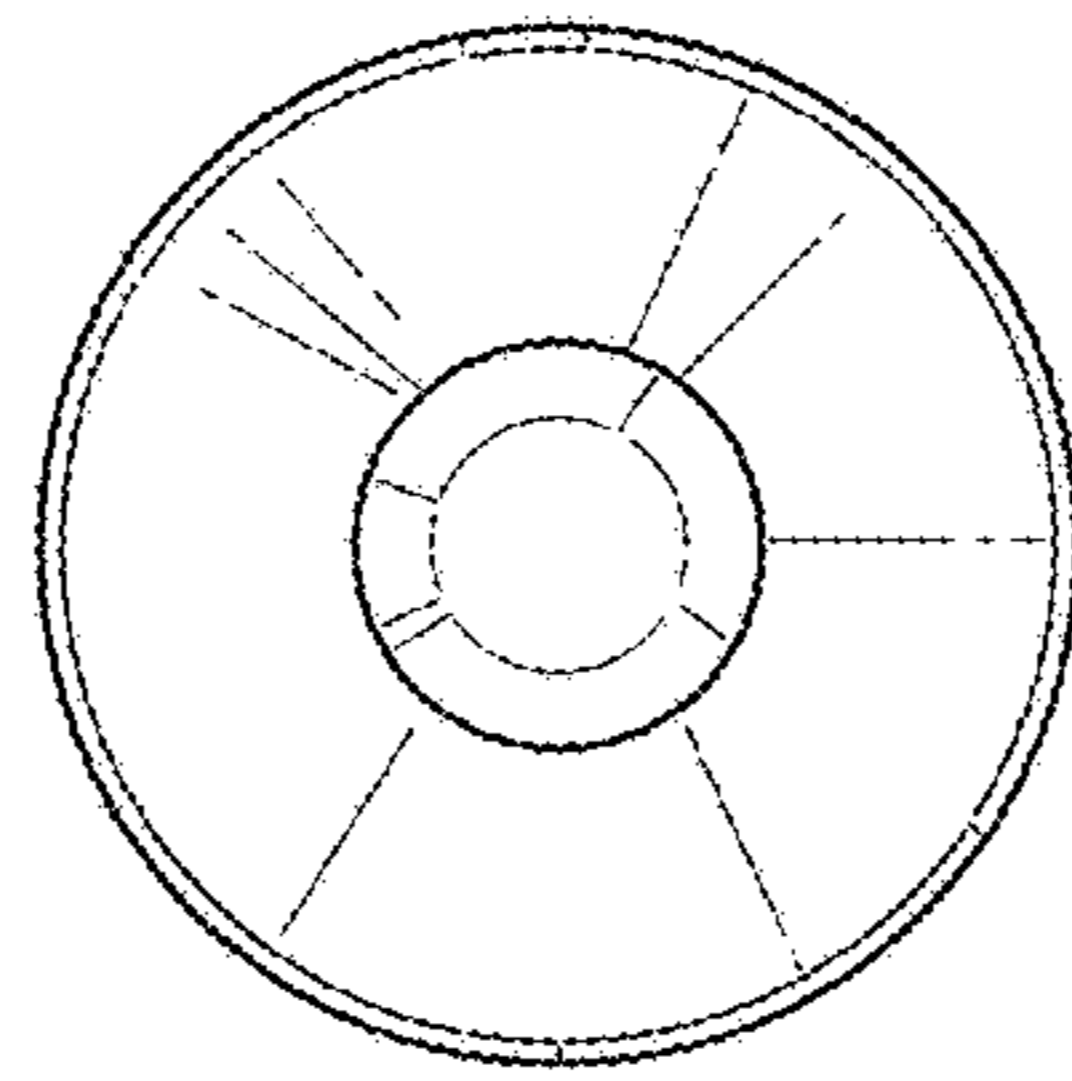


FIG. 3

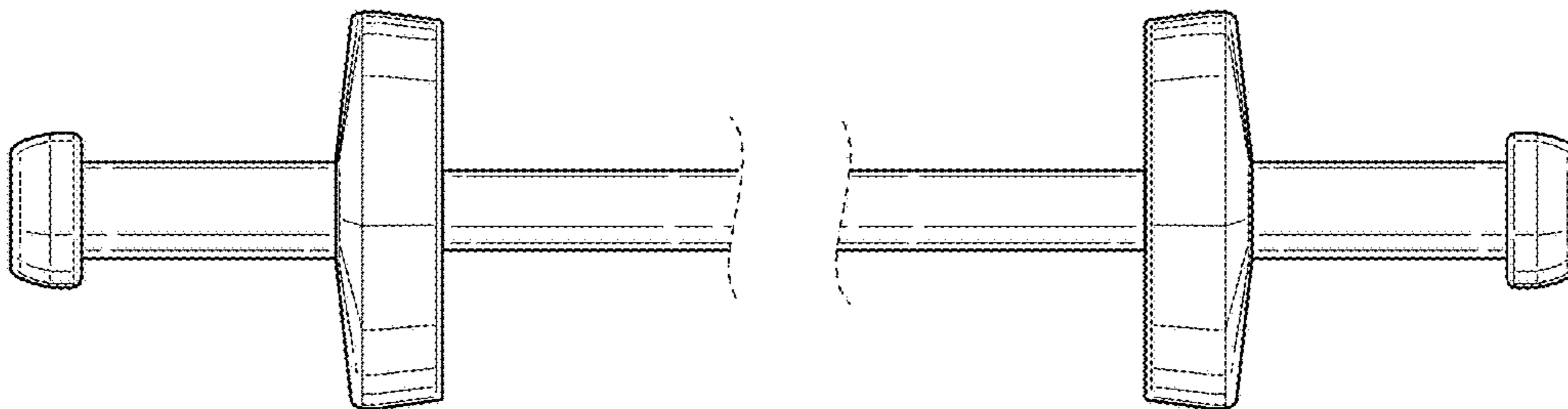


FIG. 4

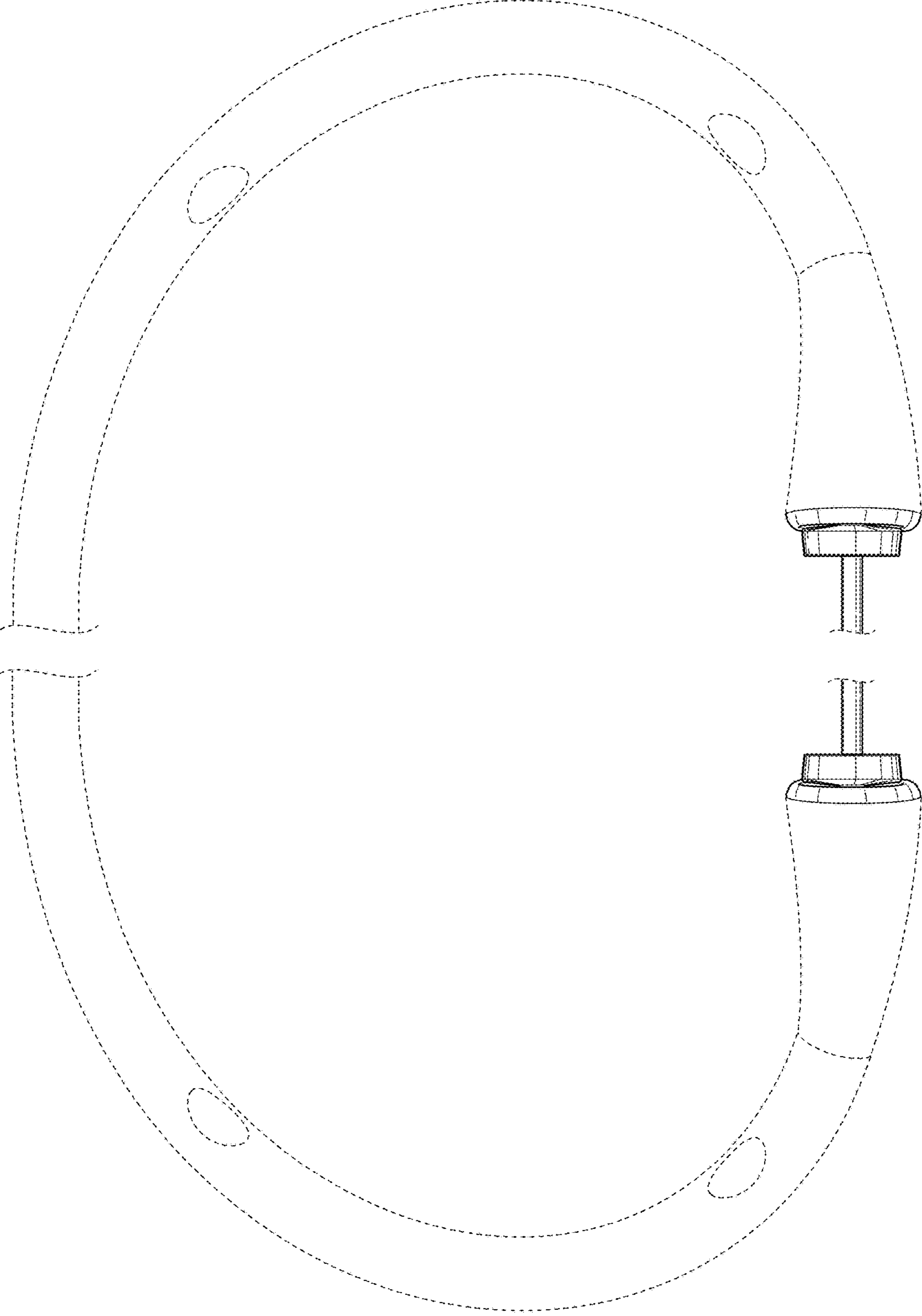


FIG. 5

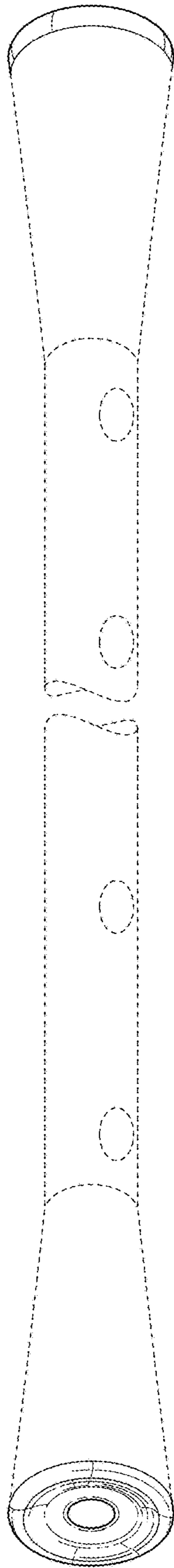


FIG. 6

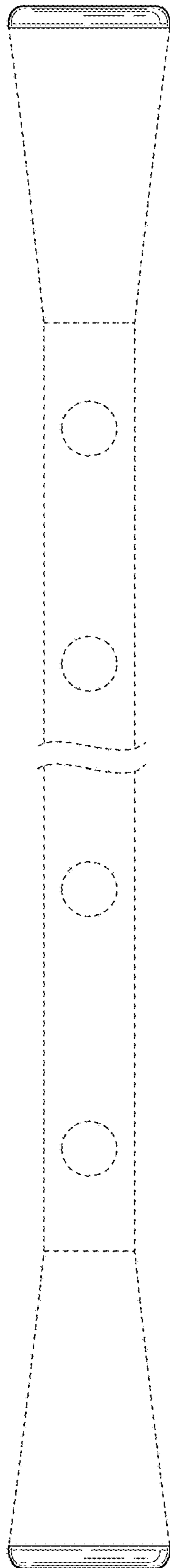


FIG. 7

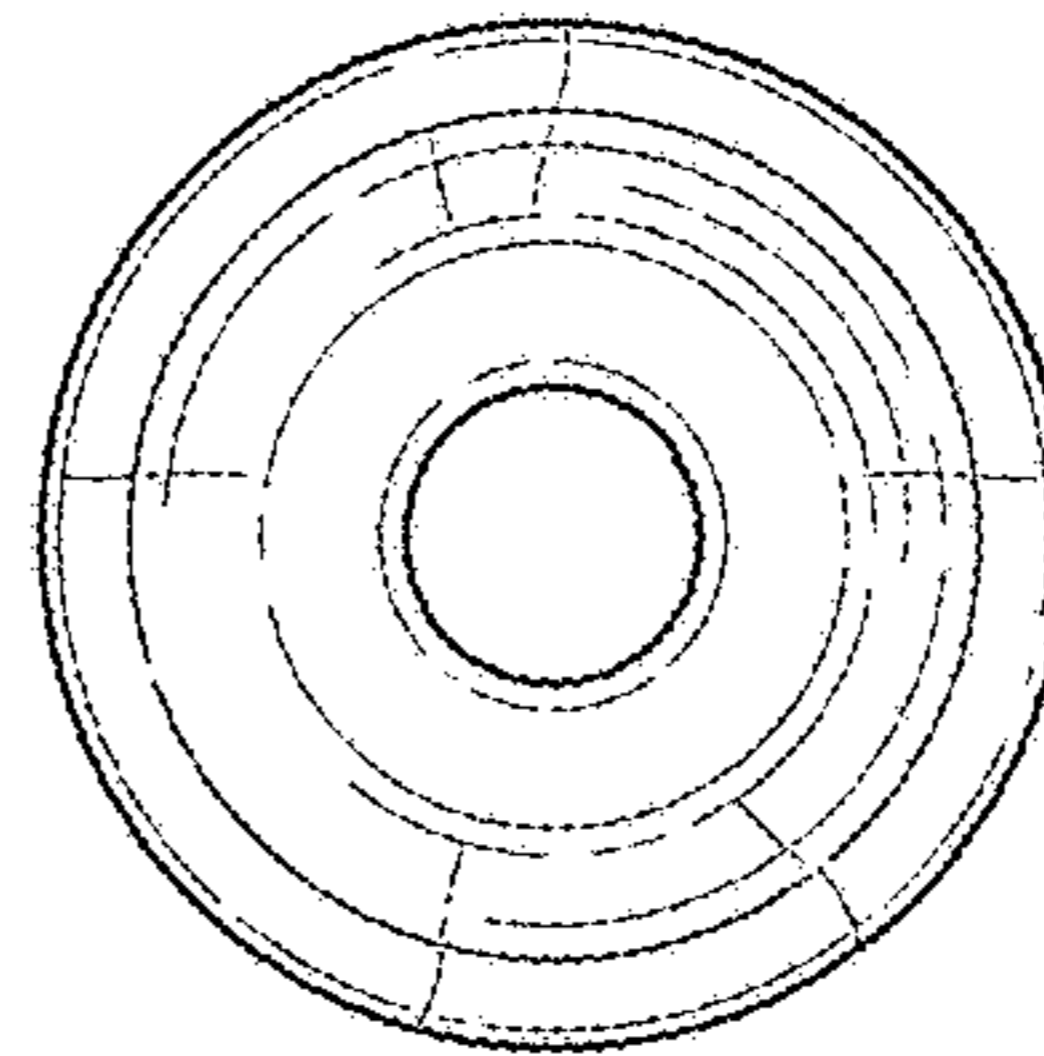


FIG. 8