

US00D861528S

(12) **United States Design Patent** (10) **Patent No.:** **US D861,528 S**
Gimenez (45) **Date of Patent:** **** Oct. 1, 2019**

(54) **WATCH DIAL**
(71) Applicant: **Cartier International AG**, Steinhausen (CH)
(72) Inventor: **Nicole Gimenez**, Mont-sur-Rolle (CH)
(73) Assignee: **Cartier International AG**, Steinhausen (CH)
(**) Term: **15 Years**
(21) Appl. No.: **29/634,559**
(22) Filed: **Jan. 23, 2018**
(30) **Foreign Application Priority Data**

Jul. 27, 2017 (WO) 4210101
(51) **LOC (12) Cl.** **10-07**
(52) **U.S. Cl.**
USPC **D10/125**
(58) **Field of Classification Search**
USPC D10/30-34, 36-39, 122-128, 132;
D11/3, 16, 40, 80, 89-91, 94;
D14/485-487, 490, 492; D24/167, 186
CPC G04B 19/00; G04B 19/06; G04B 19/065;
G04B 19/08; G04B 19/082; G04B 19/10;
G04B 19/103; G04B 19/12; G04B 47/00;
G04B 47/042; G04B 47/06; G04B 47/04;
G04B 47/063; G04B 19/223; G04B
19/22; G04B 19/283; G04B 37/00; G04B
37/0008; G04B 37/12; G04B 37/1486;
G04B 37/0058; G04B 45/00; G04B
45/0038; G04B 45/0069; G04B 45/0076;
A44C 5/00; A44C 5/0053; G04F 3/04817;
G04F 3/04886; H04N 5/443; H04N
5/445; G04G 9/00; G04G 9/082; G04G
9/088; G04G 9/094; G04G 9/02; G04G
9/04; G04G 9/06
See application file for complete search history.

(56) **References Cited**
U.S. PATENT DOCUMENTS
D545,712 S * 7/2007 Nataf D10/125
D627,248 S * 11/2010 Dias D10/125
D627,250 S * 11/2010 Dias D10/125
D659,042 S * 5/2012 Gruosi D10/125
D698,687 S * 2/2014 Boulangeot D10/126
(Continued)

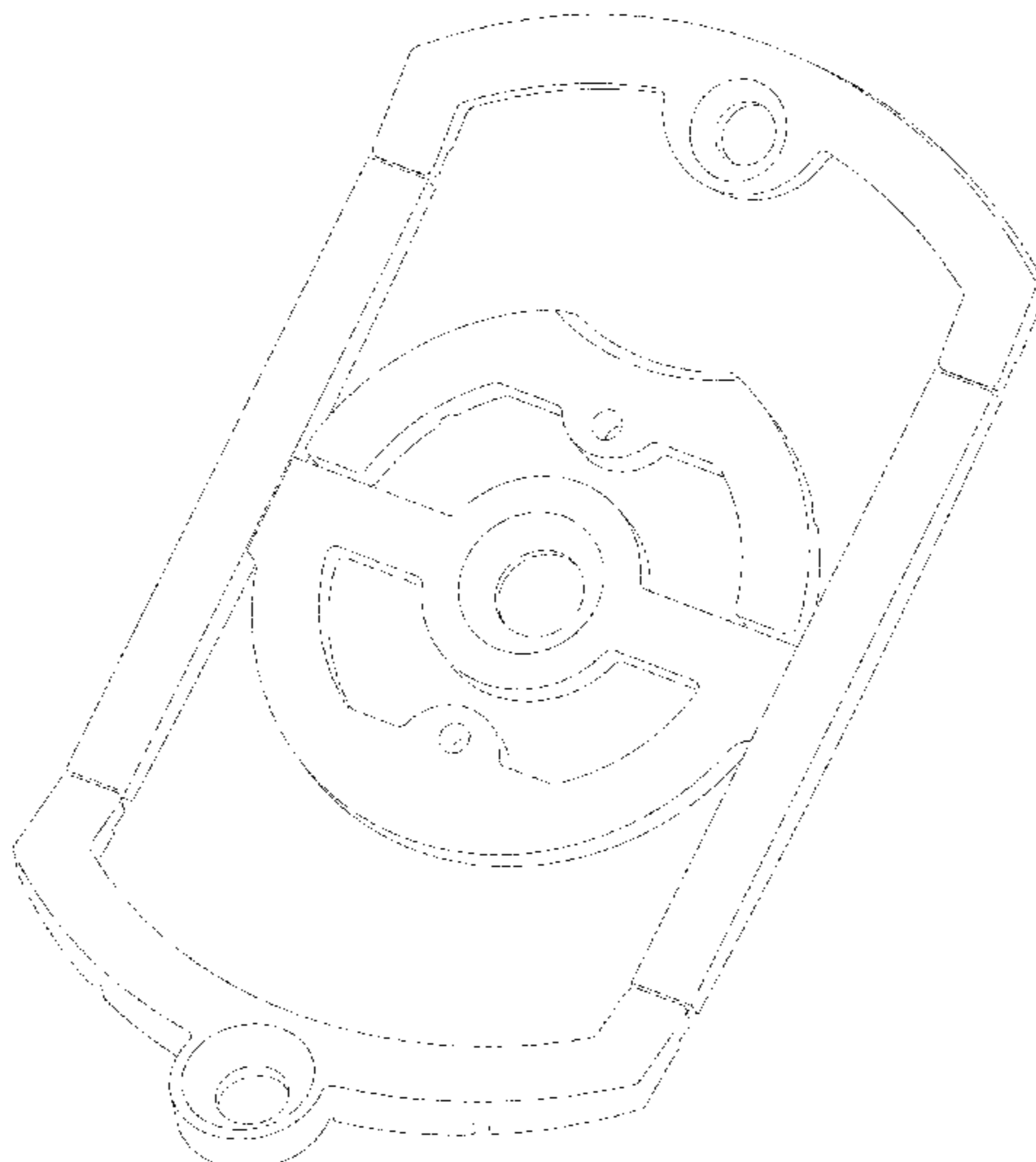
OTHER PUBLICATIONS
Skeleton Watches from SIHH 2015 | posted at dev.guillandpad.com
2015 © Quill & Pad [online][site visited Oct. 19, 2018]. Available
from internet: <http://dev.guillandpad.com/2015/01/29/give-me-five-
skeleton-watches-from-sihh-2015/> (Year: 2015).*
(Continued)

Primary Examiner — Sandra S Snapp
Assistant Examiner — Katherine Glennon
(74) *Attorney, Agent, or Firm* — Taft Stettinius &
Hollister LLP

(57) **CLAIM**
The ornamental design for a watch dial, as shown and
described.

DESCRIPTION
FIG. 1 is a front elevational view of a watch dial showing my
new design;
FIG. 2 is a back elevational view thereof;
FIG. 3 is a right side elevational view thereof;
FIG. 4 is a left side elevational view thereof;
FIG. 5 is a bottom plan view thereof;
FIG. 6 is a top plan view thereof;
FIG. 7 is a front, right side perspective view thereof; and,
FIG. 8 is a back, left side perspective view thereof.
The claimed design is directed to the collective appearance
of the components of the watch dial shown in FIGS. 1-8.

1 Claim, 8 Drawing Sheets



(56)

References Cited

U.S. PATENT DOCUMENTS

D698,688 S * 2/2014 Boulangeot D10/126
D738,747 S * 9/2015 Calce D10/125
D744,871 S * 12/2015 Rabassa D10/126
D745,829 S * 12/2015 Dieckmann D10/125
D761,679 S * 7/2016 Berhanu D10/126
D767,431 S * 9/2016 Kamilindi D10/125
D768,020 S * 10/2016 Kamilindi D10/126
D829,587 S * 10/2018 Lasserre D10/125

OTHER PUBLICATIONS

Cartier Tank Cintree Skeleton | posted at hodinkee.com Oct. 9, 2017
© 2009-2018, Hodinkee Inc [online][site visited Oct. 19, 2018] .
Available from internet: <<https://www.hodinkee.com/articles/cartier-tank-cintree-skeleton-hands-on>> (Year: 2017).*

* cited by examiner

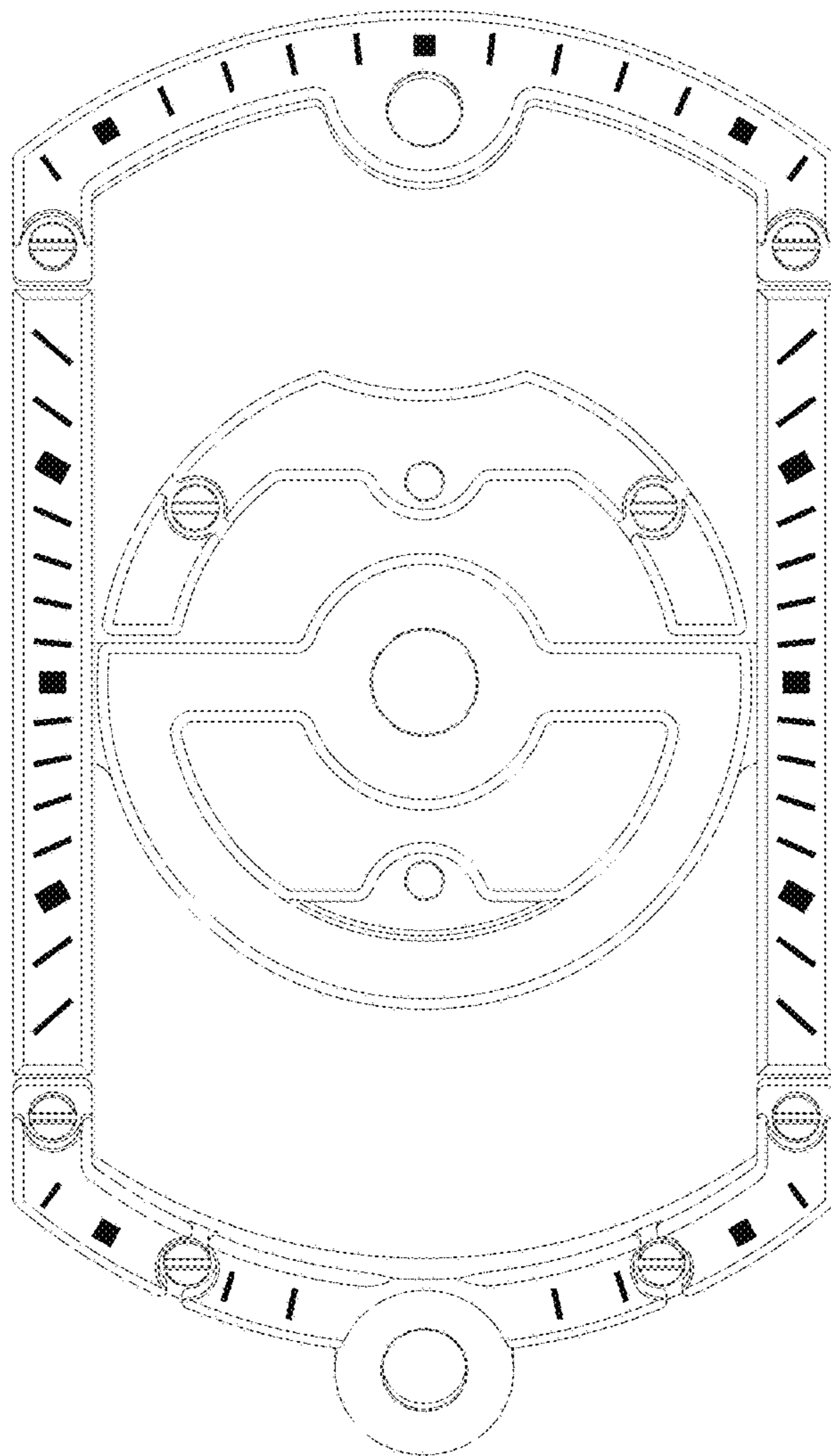


Fig. 1

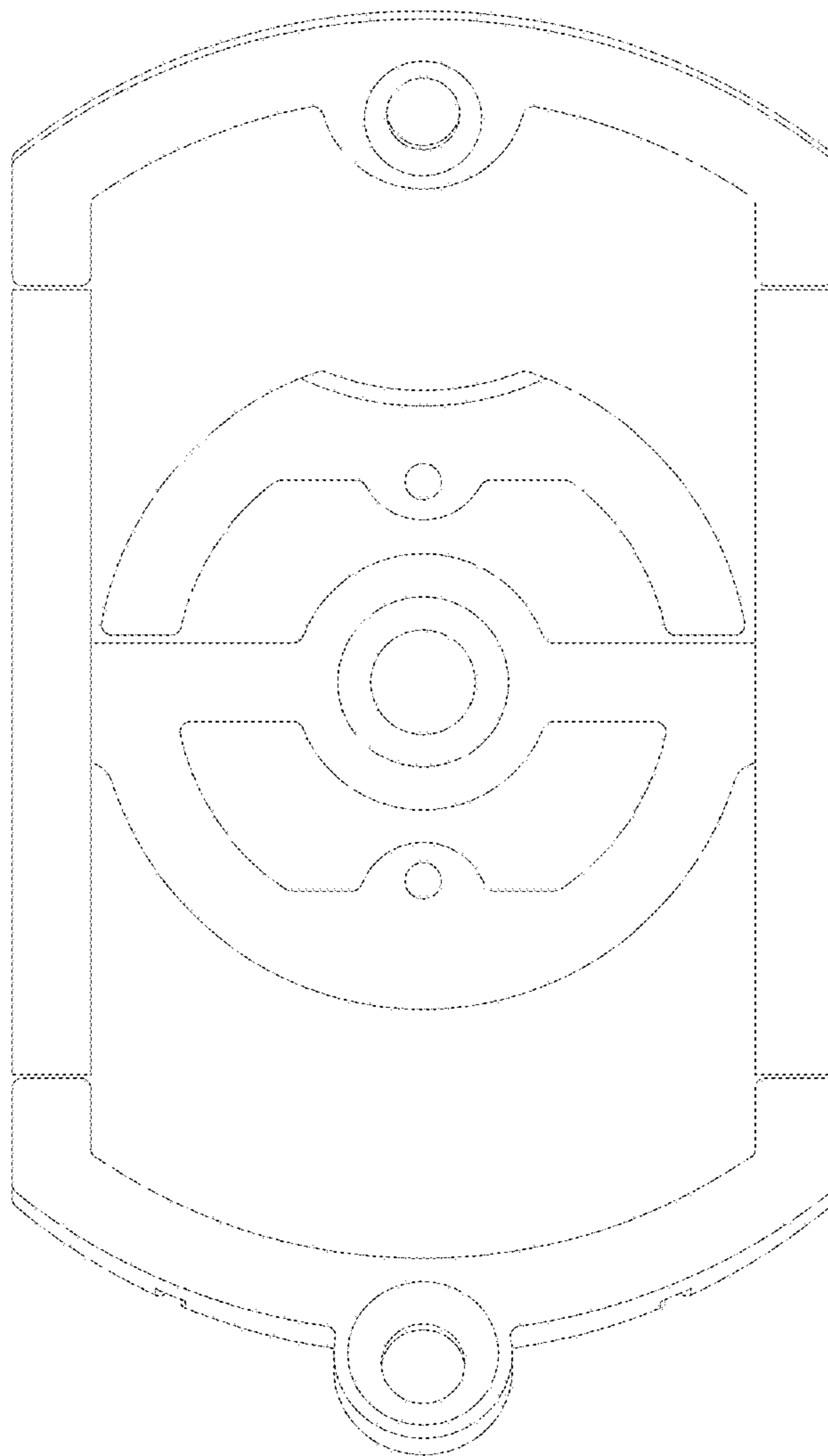


Fig. 2

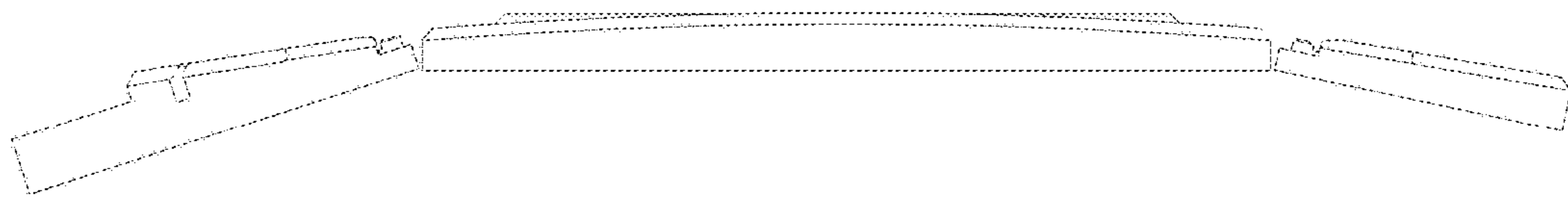


Fig. 3

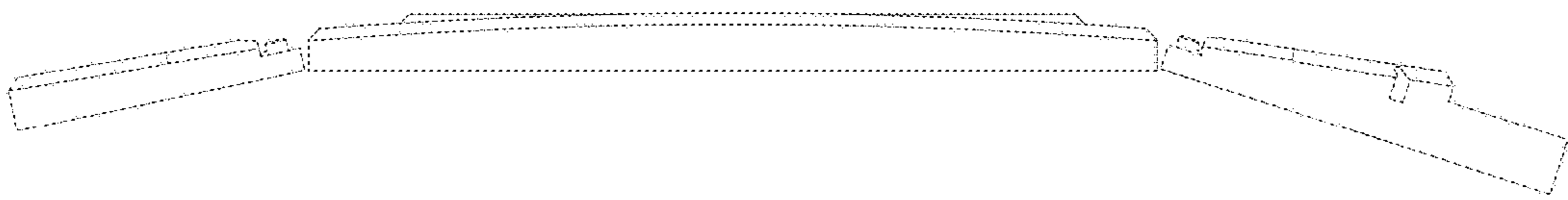


Fig. 4

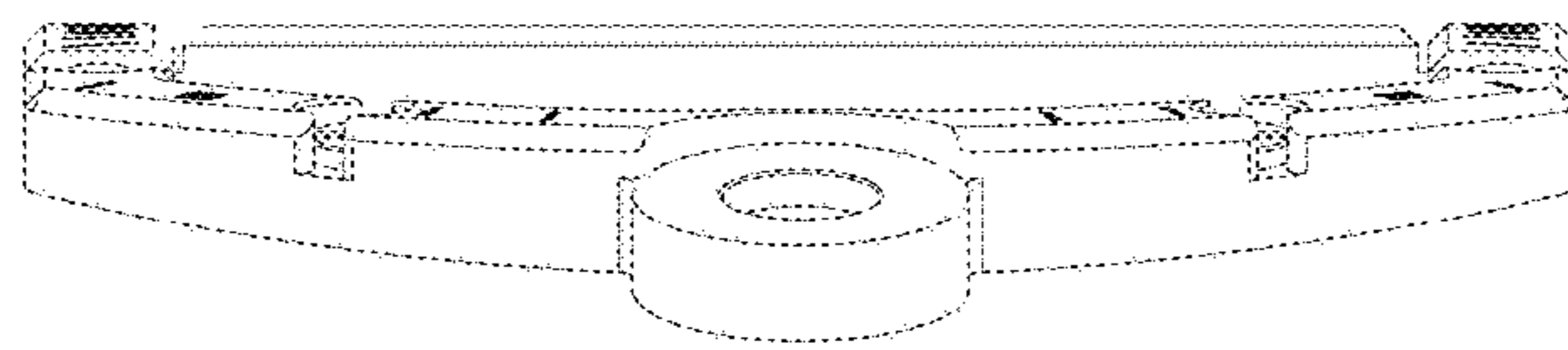


Fig. 5

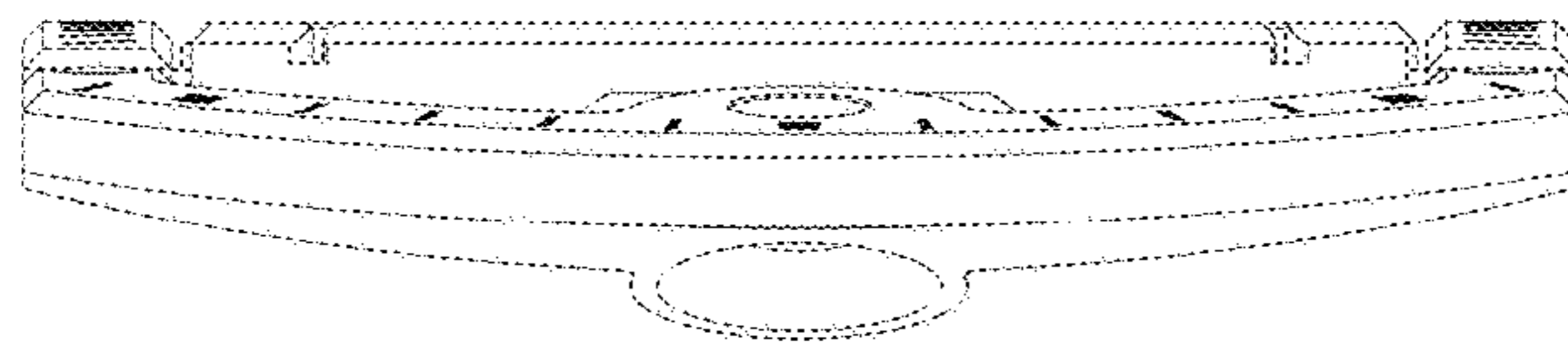


Fig. 6

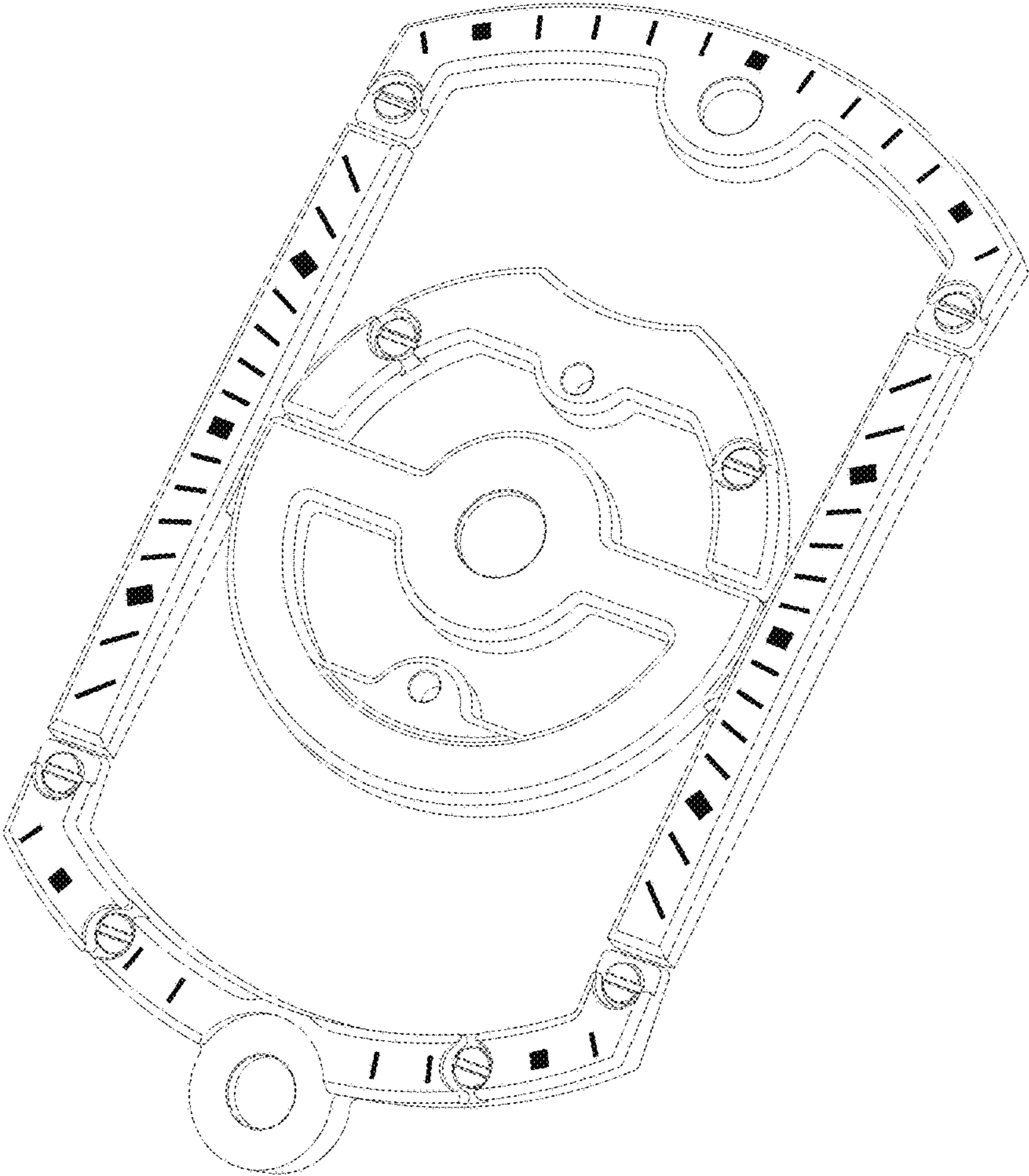


Fig. 7

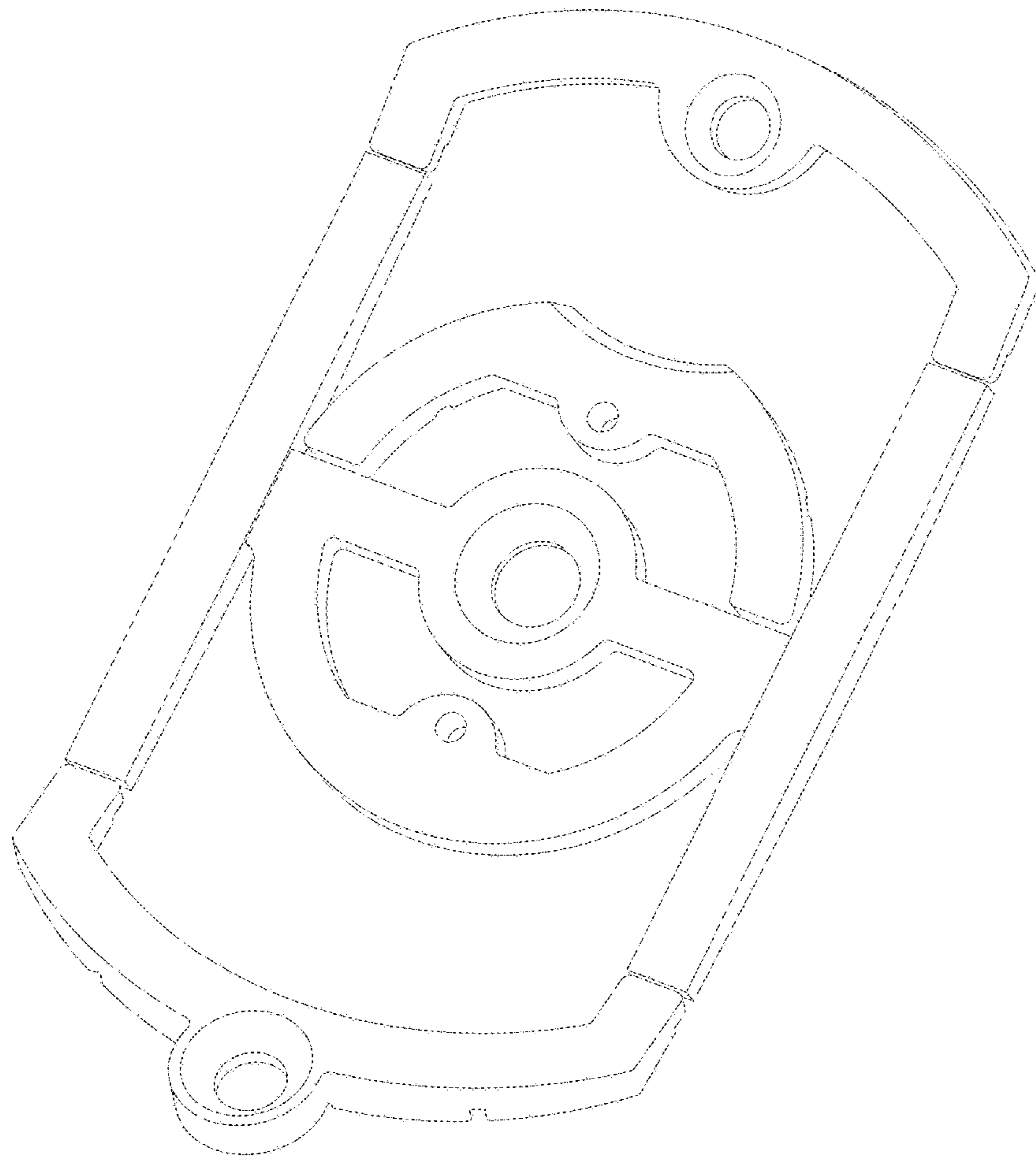


Fig. 8