



US00D861527S

(12) **United States Design Patent** (10) **Patent No.:** **US D861,527 S**
Xie (45) **Date of Patent:** **** Oct. 1, 2019**

(54) **BICYCLE BELL** 6,450,115 B1 * 9/2002 Ichimura G10K 1/072
116/152
(71) Applicant: **Shenzhen Hongbokechuang** D567,693 S * 4/2008 Ichimura D10/116.1
Technology Co., Ltd., Shenzhen (CN) 2006/0096520 A1 * 5/2006 Ichimura G10K 1/072
116/164

(72) Inventor: **Xiubing Xie, Shenzhen (CN)**
(73) Assignee: **Shenzhen Hongbokechuang**
Technology Co., Ltd., Shenzhen (CN)

(**) Term: **15 Years**

(21) Appl. No.: **29/642,515**

(22) Filed: **Mar. 29, 2018**

(51) **LOC (12) Cl.** **10-05**

(52) **U.S. Cl.**
USPC **D10/118**

(58) **Field of Classification Search**
USPC D10/116.1, 118, 118.1, 118.2, 119.1,
D10/119.2, 119.3, 119.4, 120, 121, 68,
D10/104.1, 106.1, 106.5, 106.92, 106.93,
D10/106.94, 126; D8/349; 340/432,
340/425.5, 427, 428; 116/52, 159, 166,
116/152, 154, 164; 370/469
CPC G10K 1/072; G10K 1/08; G10K 1/10;
G10K 1/36
See application file for complete search history.

(56) **References Cited**

U.S. PATENT DOCUMENTS

D202,672 S * 10/1965 Winkhaus D10/116.1
D316,055 S * 4/1991 Rixen D10/118
D360,159 S * 7/1995 Moore D10/116.1
D361,536 S * 8/1995 Pagani D10/120
D439,859 S * 4/2001 Morgan D10/116.1

OTHER PUBLICATIONS

“KITTOP Bike Horn” available Jun. 11, 2019, [online], [site visited Jun. 11, 2019]. Retrieved from Internet, URL:https://www.dhgate.com/product/kittop-bike-horn-usb-charge-bicycle-bell/425620533.html#ENpu-en (Year: 2019).*

* cited by examiner

Primary Examiner — Cathron C Brooks
Assistant Examiner — Katrina N Gonzalez

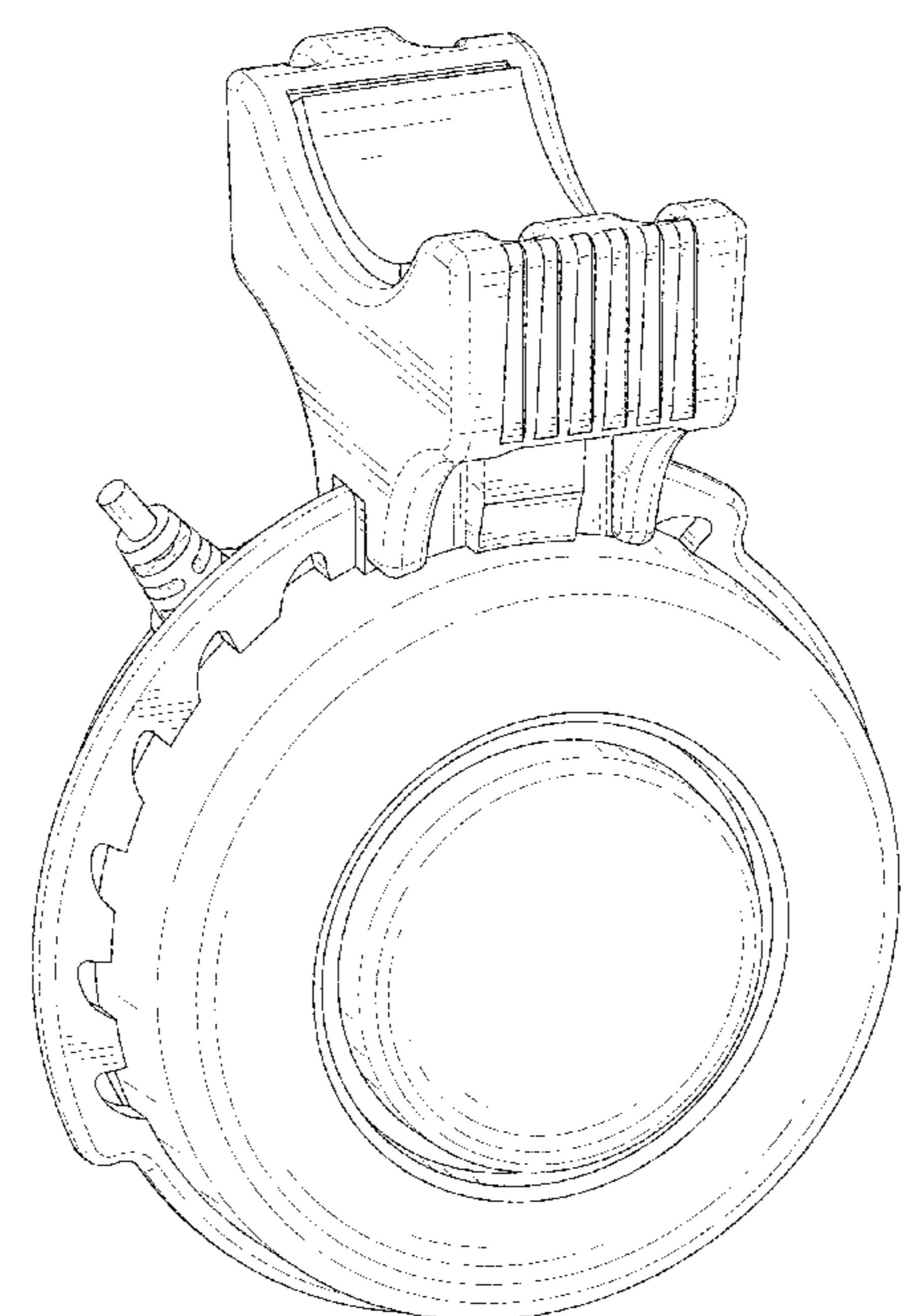
(57) **CLAIM**

The ornamental design for a bicycle bell, as shown and described.

DESCRIPTION

FIG. 1 is a front perspective view of a bicycle bell showing my new design;
FIG. 2 is a rear perspective view thereof;
FIG. 3 is a front elevational view thereof;
FIG. 4 is a rear elevational view thereof;
FIG. 5 is a left side elevational view thereof;
FIG. 6 is a right side elevational view thereof;
FIG. 7 is a top plan view thereof; and,
FIG. 8 is a bottom plan view thereof.
The broken lines in the drawings are for the purpose of illustrating portions of a bicycle bell that form no part of the claimed design.

1 Claim, 8 Drawing Sheets



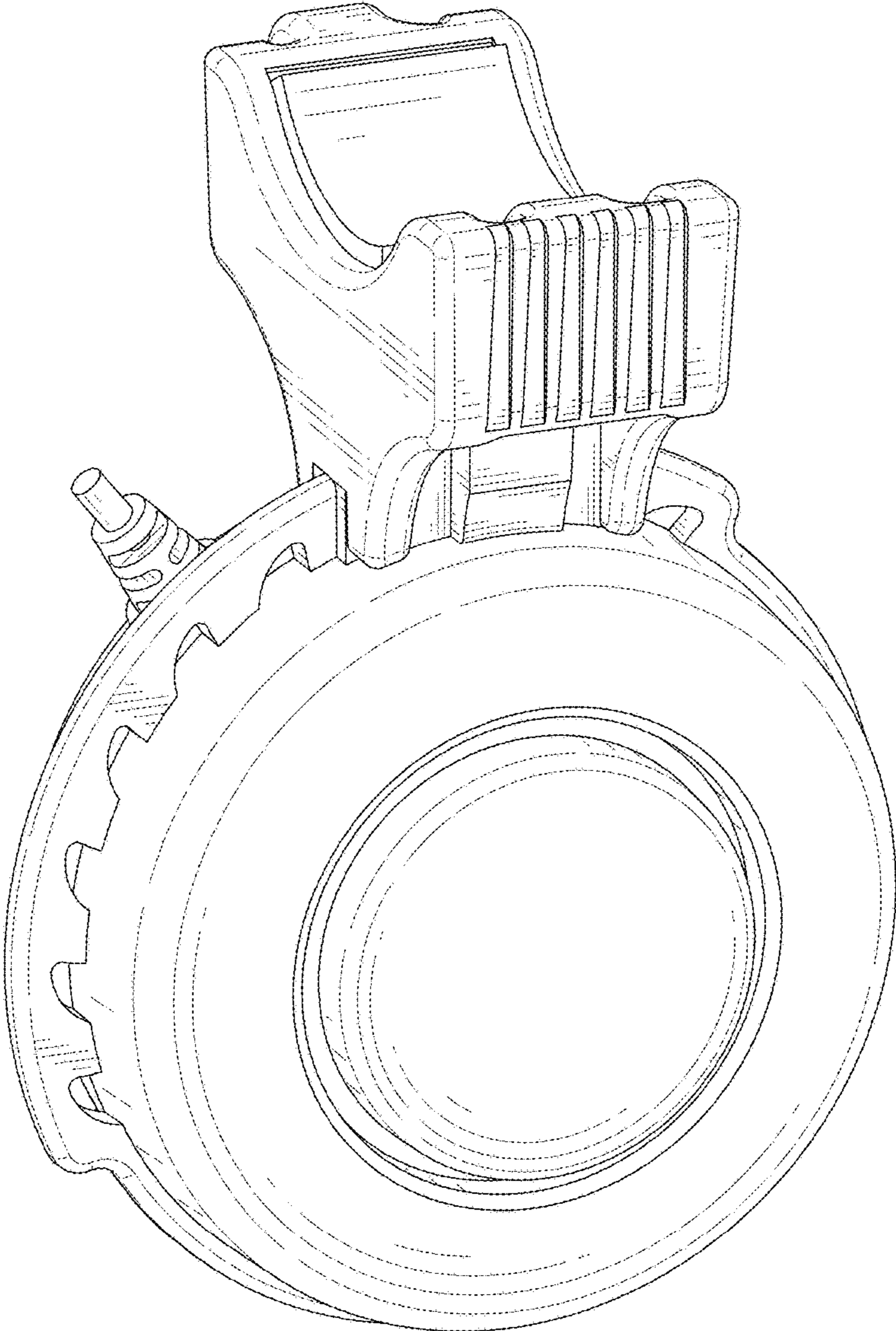


FIG. 1

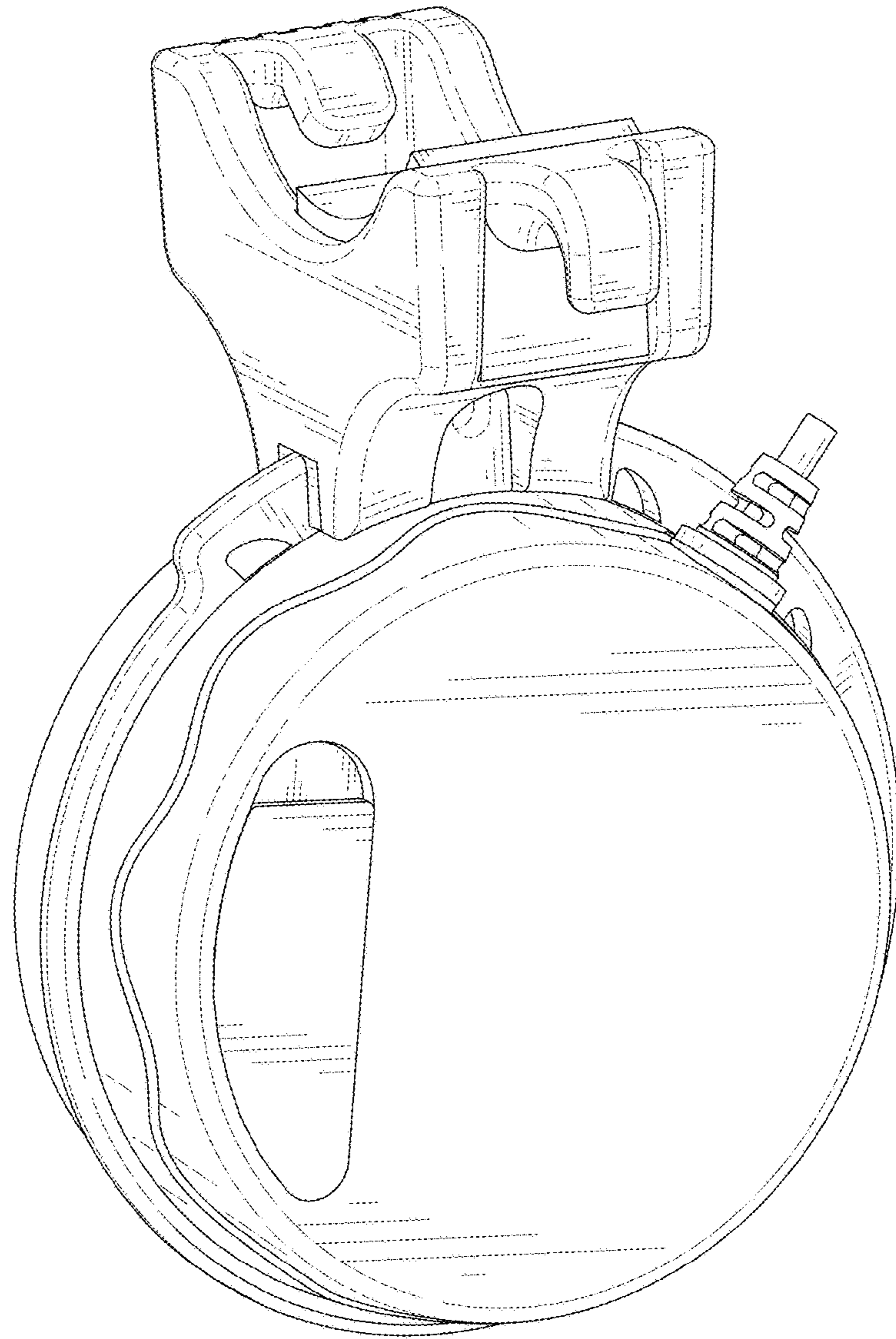


FIG. 2

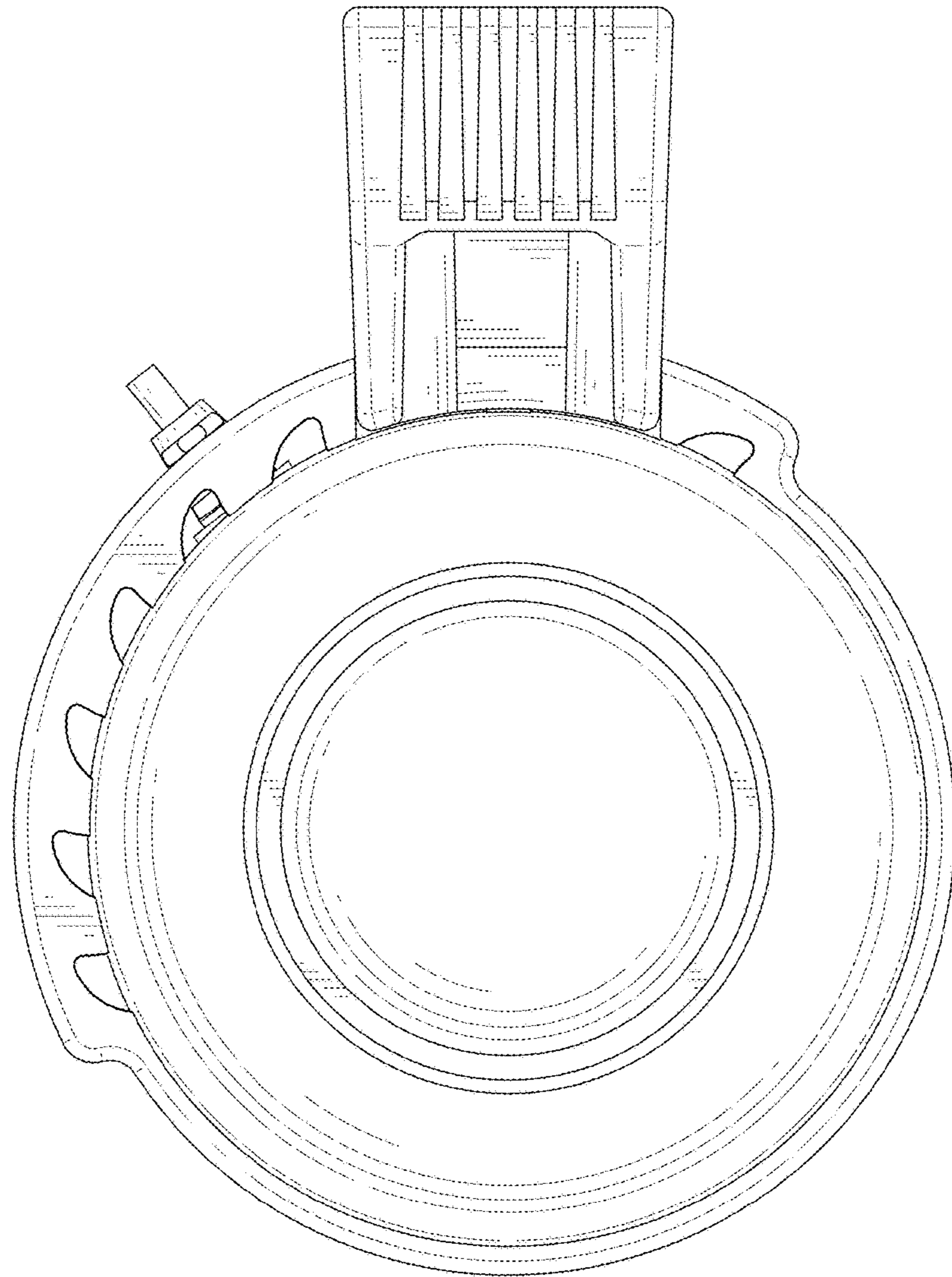


FIG. 3

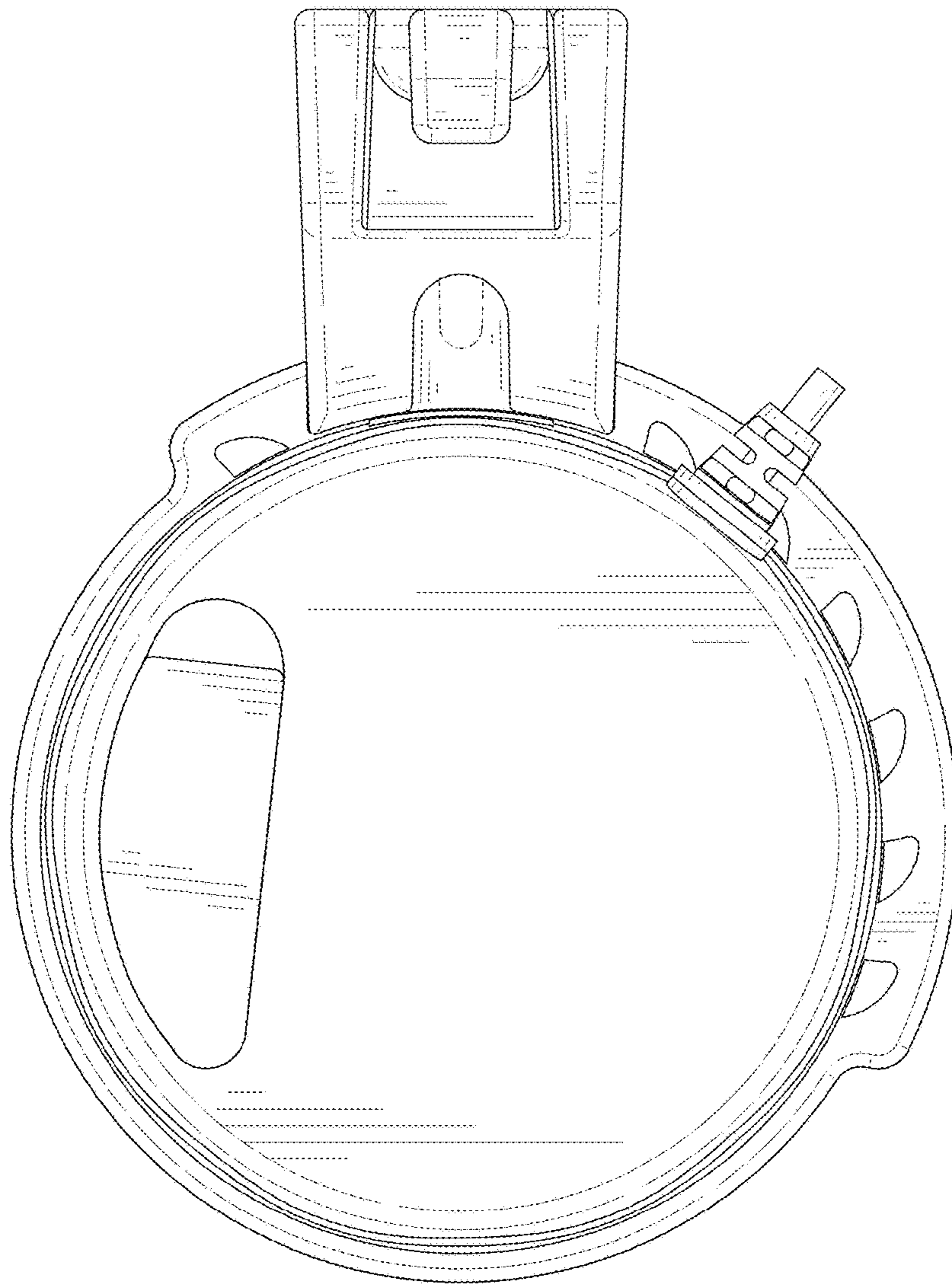


FIG. 4

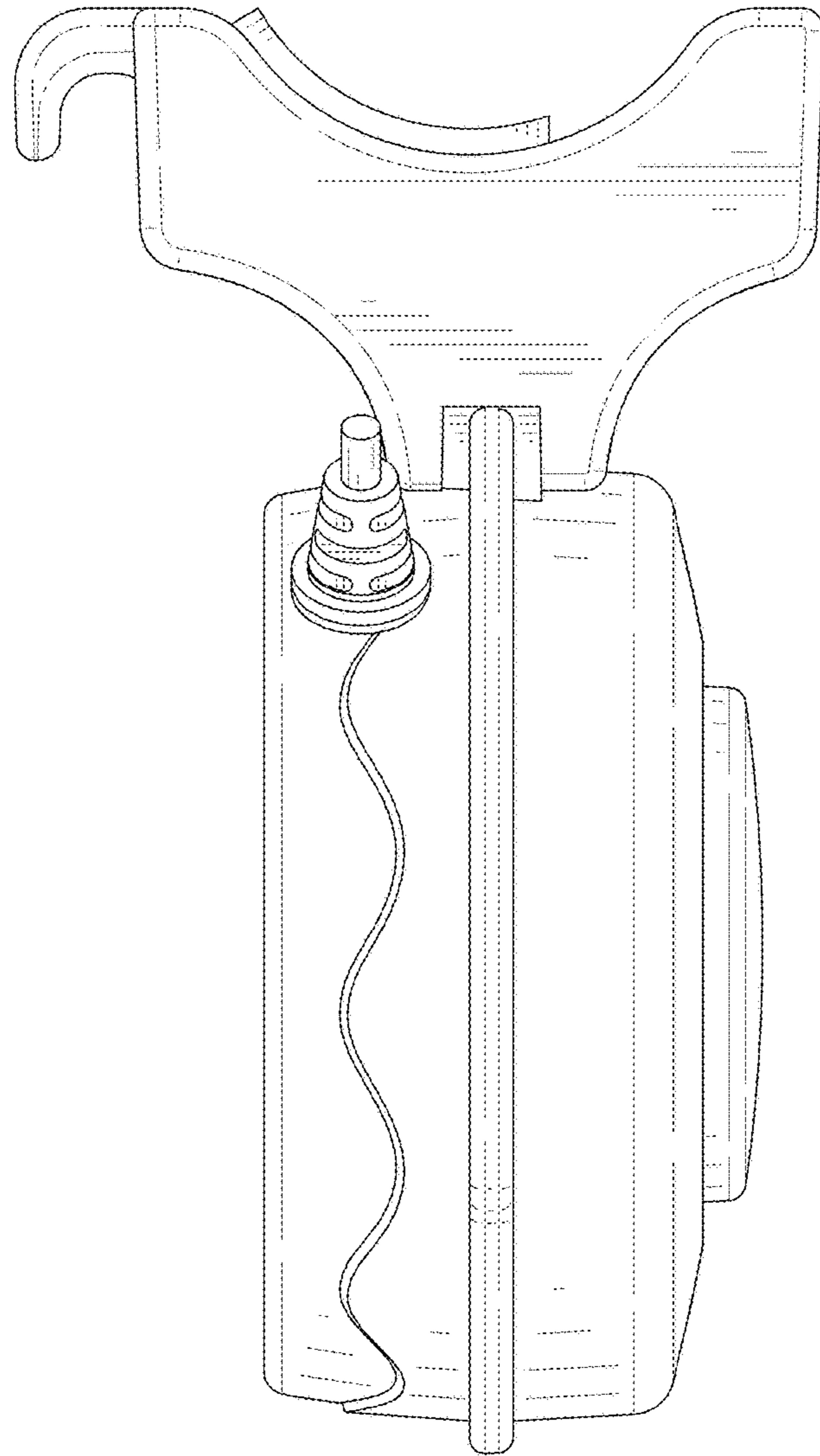


FIG. 5

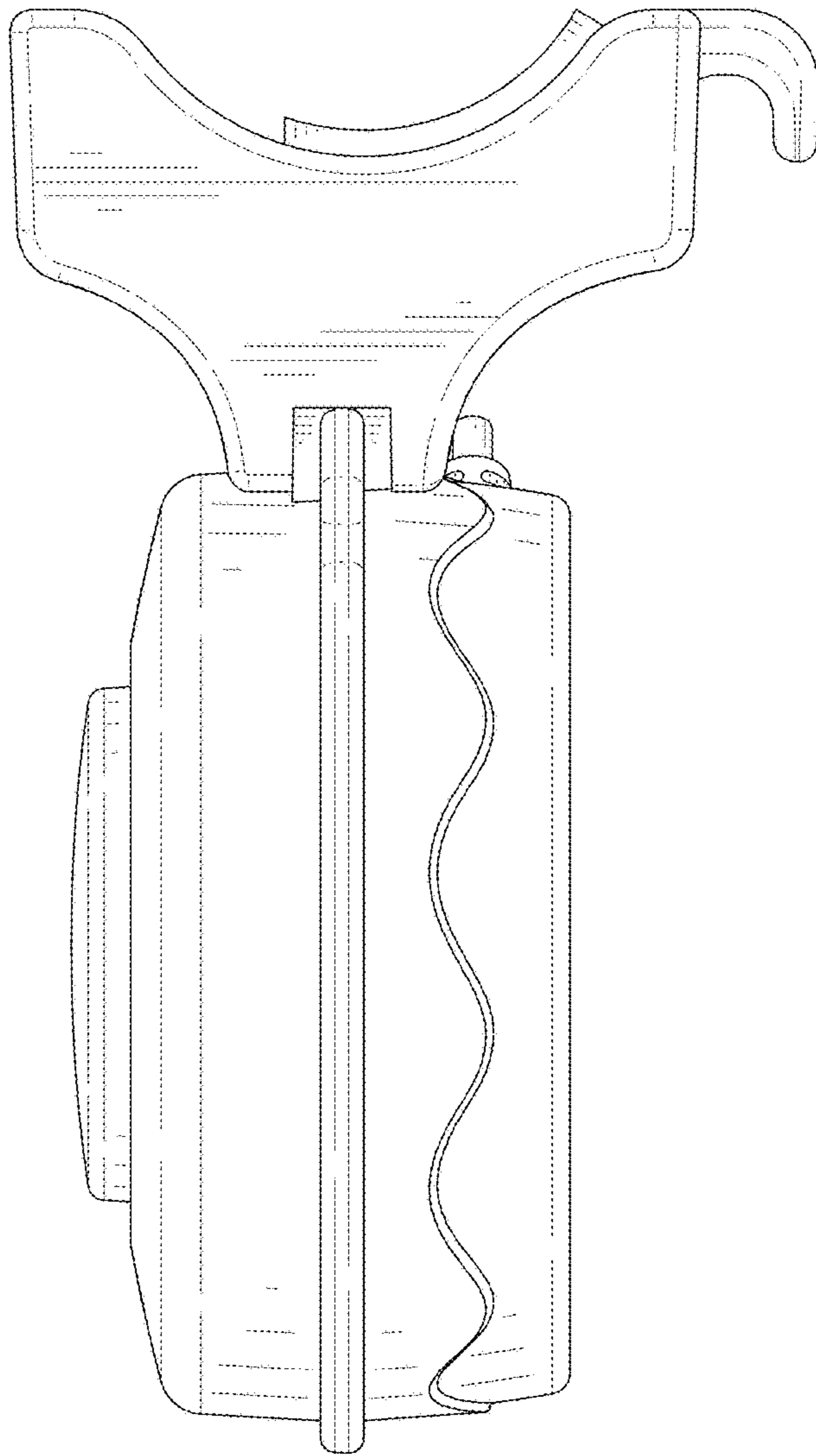


FIG. 6

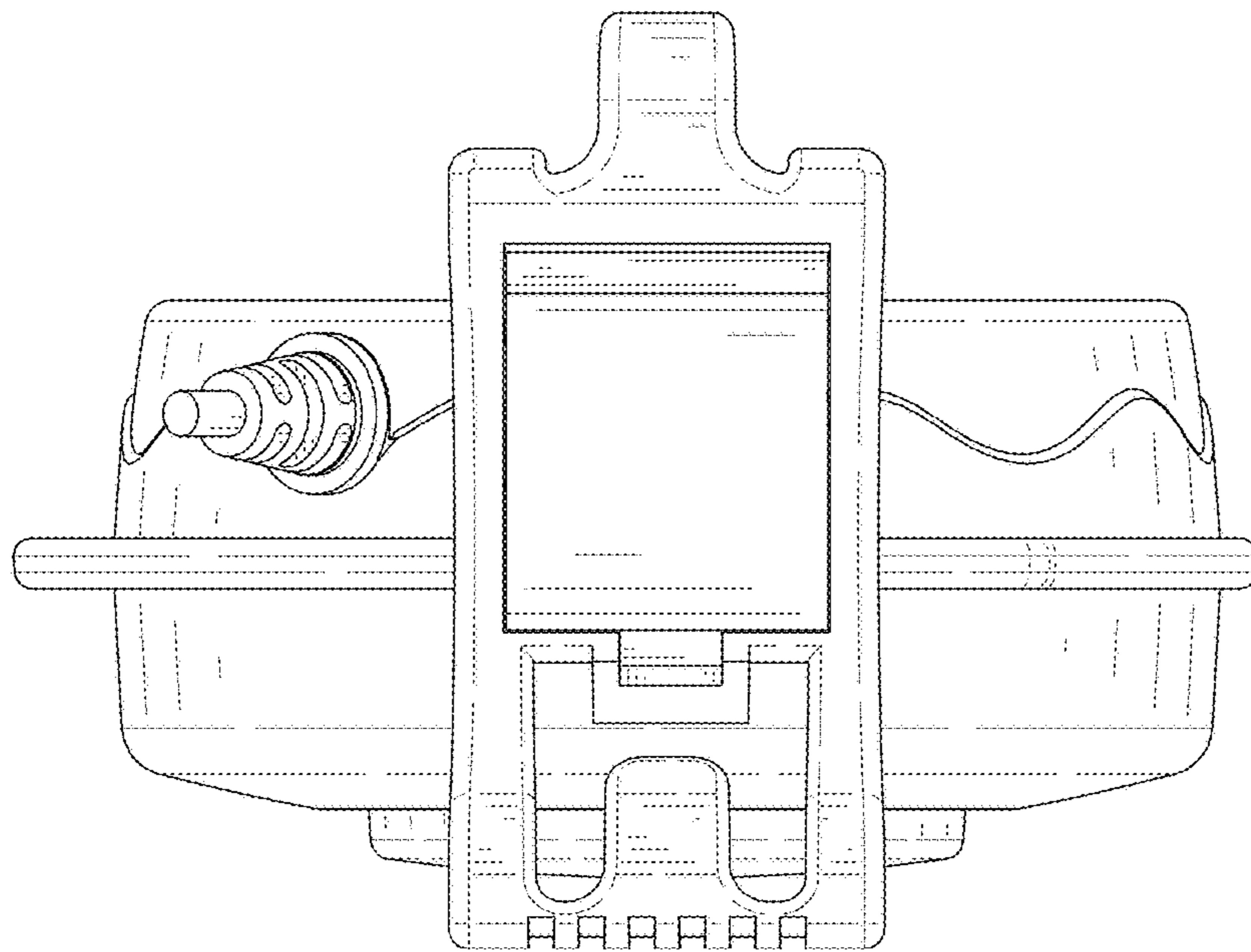


FIG. 7

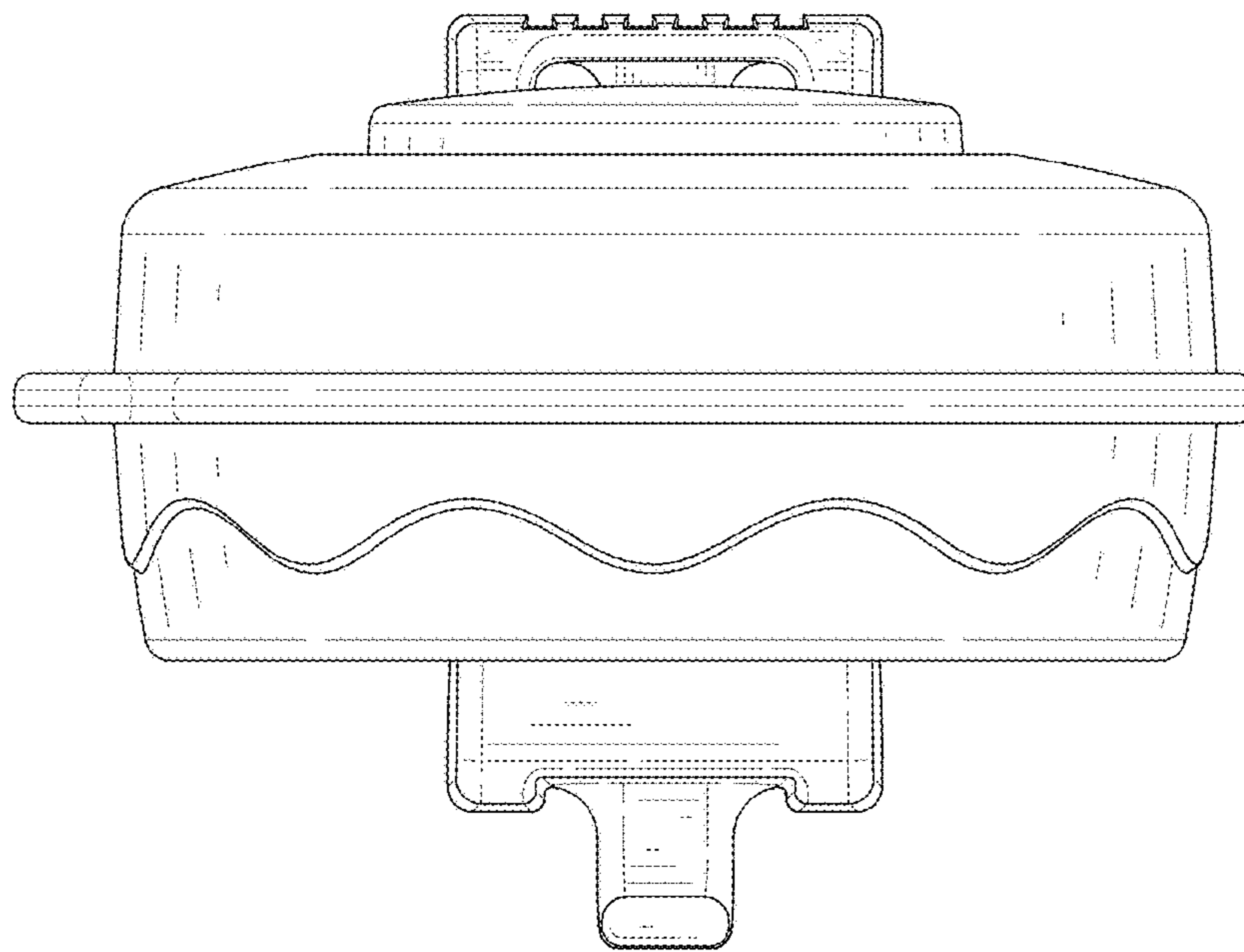


FIG. 8