



US00D861526S

(12) **United States Design Patent** (10) **Patent No.:** **US D861,526 S**
Wang (45) **Date of Patent:** **** Oct. 1, 2019**

(54) **MOTION SENSOR**

(71) Applicant: **Guangdong Global Egrow (Zhaoqing) Cross-Border E-Commerce Co., Ltd., Guangdong (CN)**

(72) Inventor: **Hao Wang, Heilongjiang (CN)**

(73) Assignee: **Guangdong Global Egrow (Zhaoqing) Cross-Border E-Commerce Co., Ltd., Guangdong (CN)**

(**) Term: **15 Years**

(21) Appl. No.: **29/650,992**

(22) Filed: **Jun. 12, 2018**

(51) **LOC (12) Cl.** **10-05**

(52) **U.S. Cl.**
USPC **D10/106.6**

(58) **Field of Classification Search**
USPC D10/70, 104, 106.1, 106.6, 104.1, 104.2, D10/106.7, 106.8, 106.9, 106.92, 106.95, D10/114.1, 118, 118.2, 121, 116; 340/500, 506, 540, 541, 545, 573, 574, 340/575, 576, 577, 578, 589, 600, 693; D13/158, 177; D16/237, 238, 239, 248; D21/398, 405; D24/107, 232; D99/99; D26/67, 72, 85, 57, 92
CPC G01P 13/0073; G01P 13/008; G01P 13/0086; G01P 13/0093; G08B 21/00; G08B 21/02; G08B 21/0202; G08B 21/0205; G08B 21/0208; G08B 21/0211; G08B 21/0213; G08B 21/0216; G08B 21/0219; G08B 21/0222; G08B 21/0225
See application file for complete search history.

(56) **References Cited**

U.S. PATENT DOCUMENTS

D358,108 S * 5/1995 Yuen D10/106.6
D363,250 S * 10/1995 Miyatake D10/114.1

D429,696 S * 8/2000 Taylor D10/106.1
D434,387 S * 11/2000 Taylor D10/106.1
D485,774 S * 1/2004 Hwang D10/106.6
D628,103 S * 11/2010 Schmalz D10/106.6
D850,946 S * 6/2019 Zhevelev D10/70
D854,436 S * 7/2019 Morita D10/106.6

FOREIGN PATENT DOCUMENTS

JP 1073987 6/2000

OTHER PUBLICATIONS

“The Best Motion Sensors” available Jul. 19, 2019, [online], [site visited Jul. 25, 2019]. Retrieved from Internet, URL:https://www.safety.com/motion-sensors/ (Year: 2019).*

(Continued)

Primary Examiner — Michael C Stout
Assistant Examiner — Katrina N Gonzalez
(74) *Attorney, Agent, or Firm* — JCIPRNET

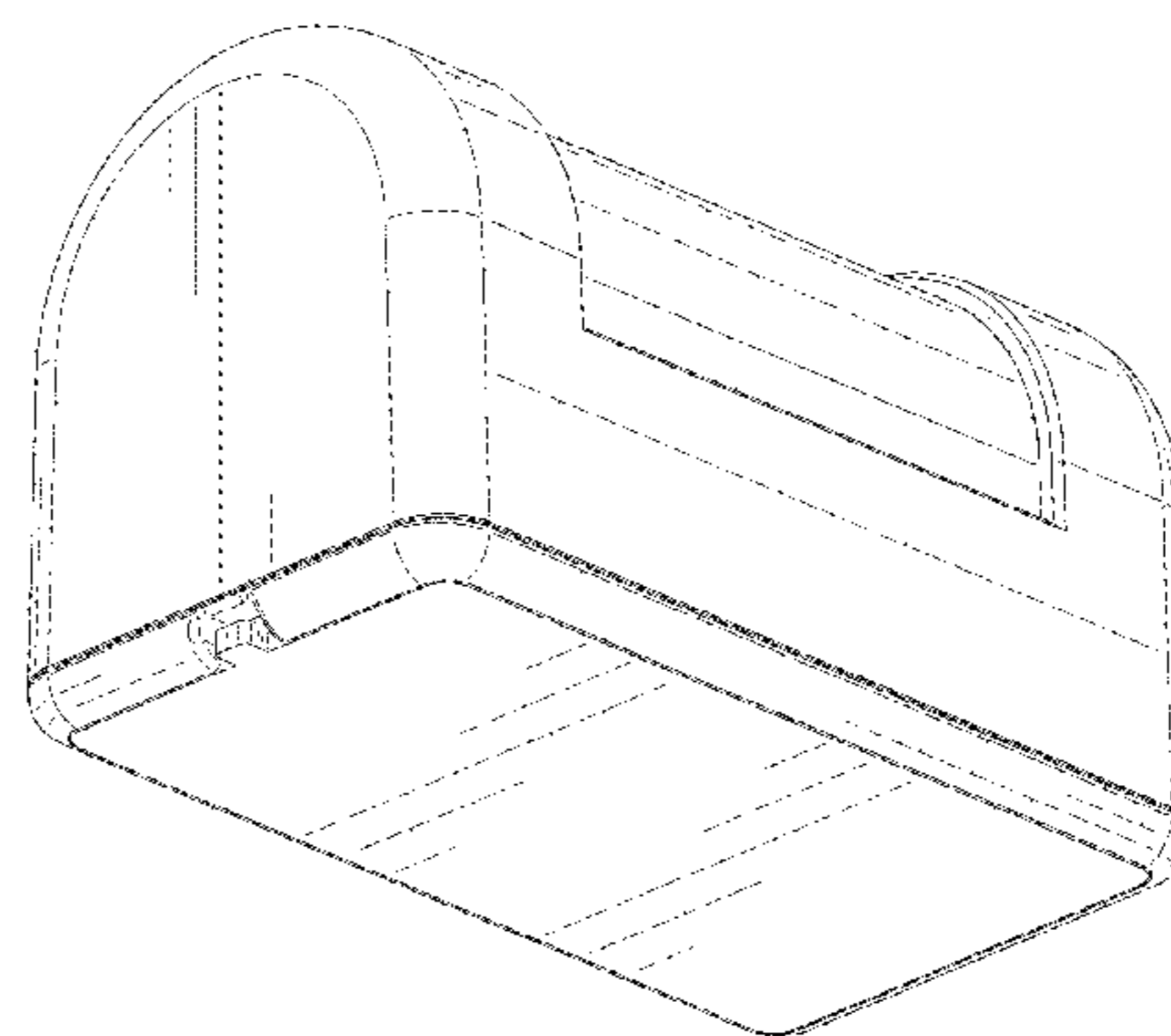
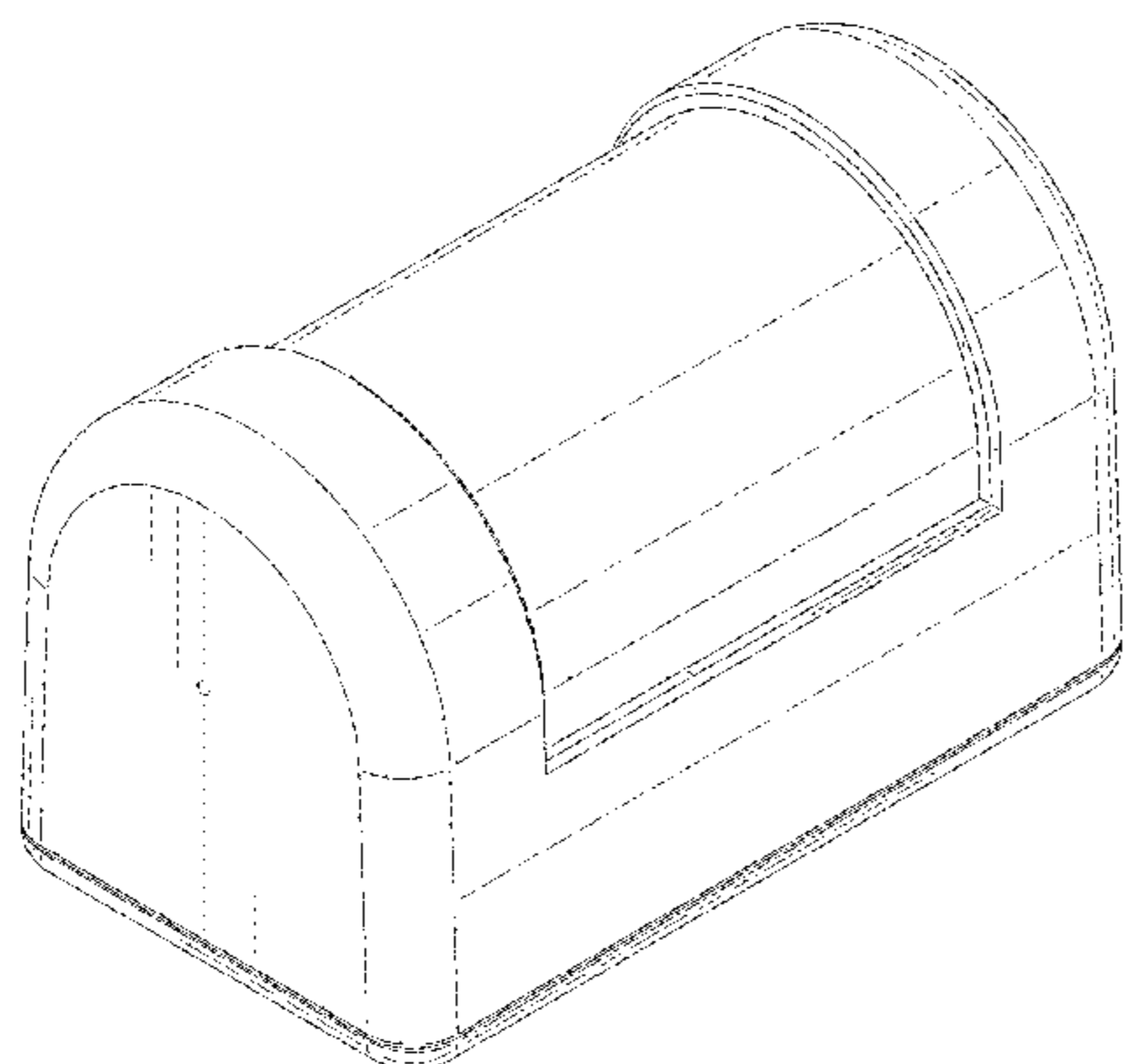
(57) **CLAIM**

The ornamental design for a motion sensor, as shown.

DESCRIPTION

FIG. 1 is a perspective view of a motion sensor showing my new design;
FIG. 2 is another perspective view thereof;
FIG. 3 is a front view thereof;
FIG. 4 is a rear view thereof;
FIG. 5 is a left side view thereof;
FIG. 6 is a right side view thereof;
FIG. 7 is a top view thereof; and,
FIG. 8 is a bottom view thereof.

1 Claim, 5 Drawing Sheets



(56)

References Cited

OTHER PUBLICATIONS

“Ring Alarm Wireless Motion Detector-4SP1-S70EN0” available Jul. 25, 2019, [online], [site visited Jul. 25, 2019]. Retrieved from Internet, URL:<https://www.homedepot.com/p/Ring-Alarm-Wireless-Motion-Detector-4SP1-S70EN0/303401967> (Year: 2019).*

“Wireless Motion-Activated Sensor—38XL89_STI-3601—Grainger” available Jul. 25, 2019, [online], [site visited Jul. 25, 2019]. Retrieved from Internet, URL:<https://www.grainger.com/product/38XL89> (Year: 2019).*

“Securifi” available Jul. 25, 2019, [online], [site visited Jul. 25, 2019]. Retrieved from Internet, URL:<https://www.securifi.com/securifi-motion-detector> (Year: 2019).*

“Smart Home Wireless Security Motion Sensor” available Jul. 25, 2019, [online], [site visited Jul. 25, 2019]. Retrieved from Internet, URL: <https://www.homedepot.com/p/Honeywell-Smart-Home-Wireless-Security-Motion-Sensor-RCHSPIR1/305490974> (Year: 2019).*

“Office Action of Japan Counterpart Application,” dated Oct. 31, 2018, p. 1-p. 1.

* cited by examiner

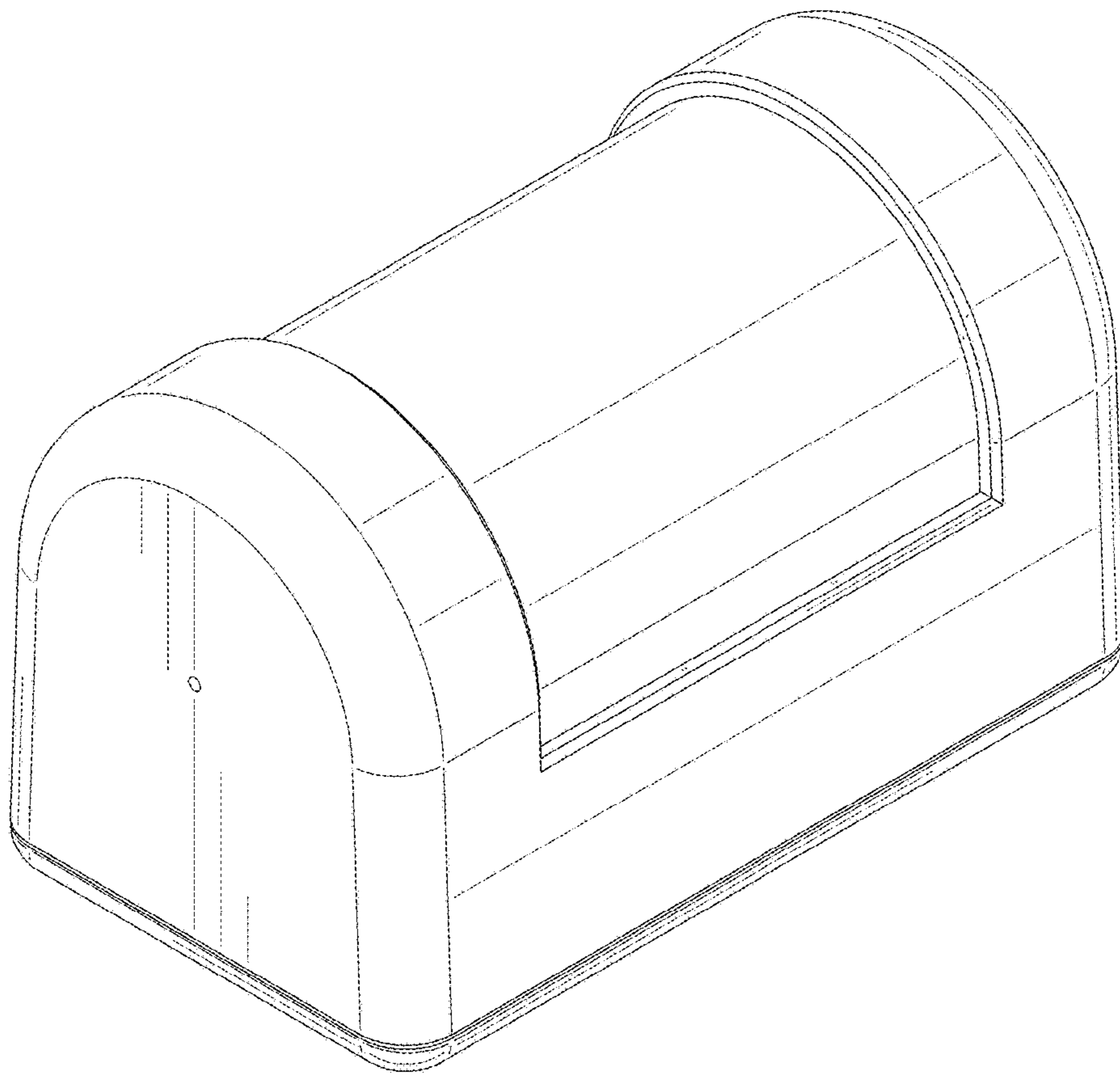


FIG. 1

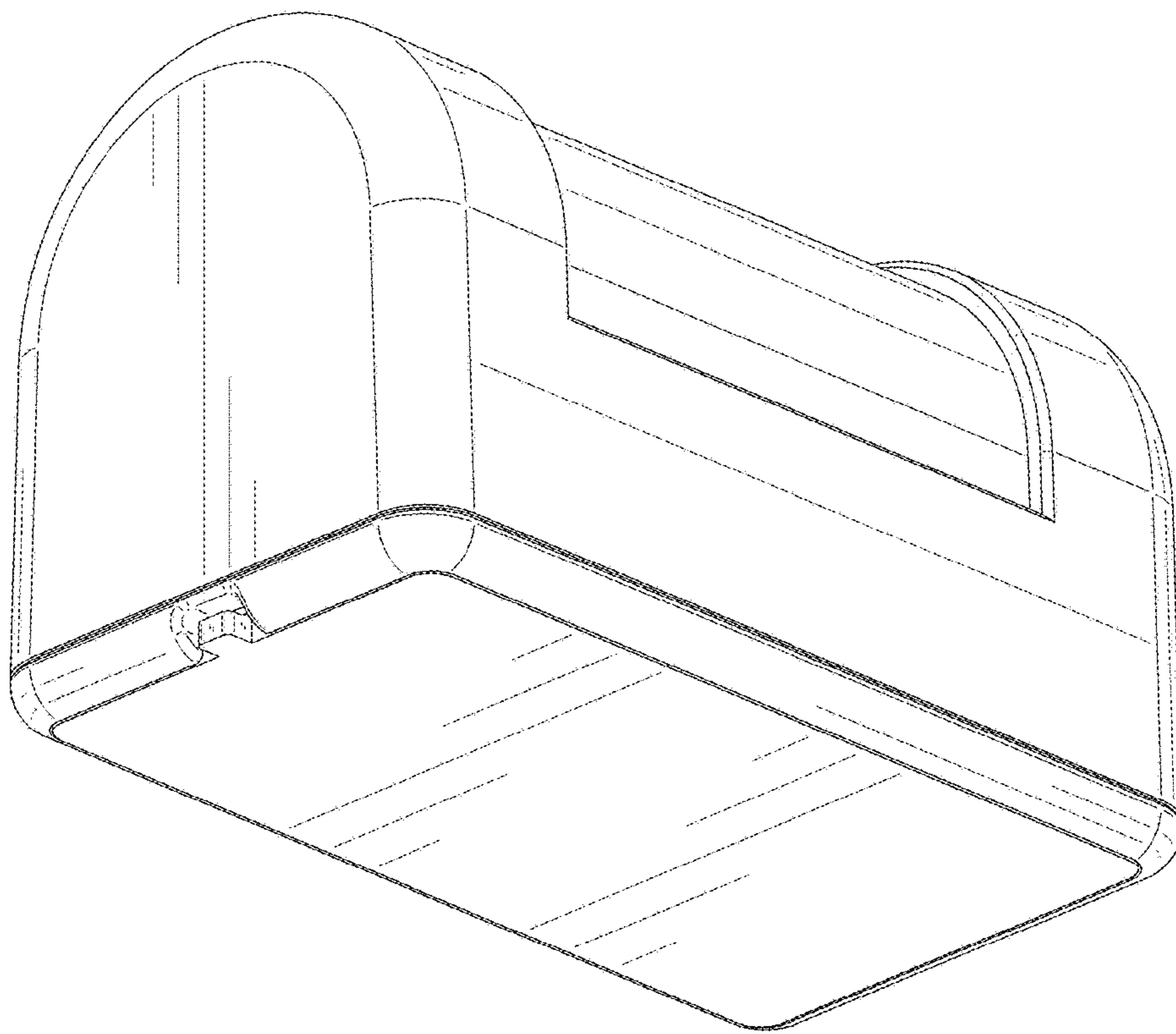


FIG. 2

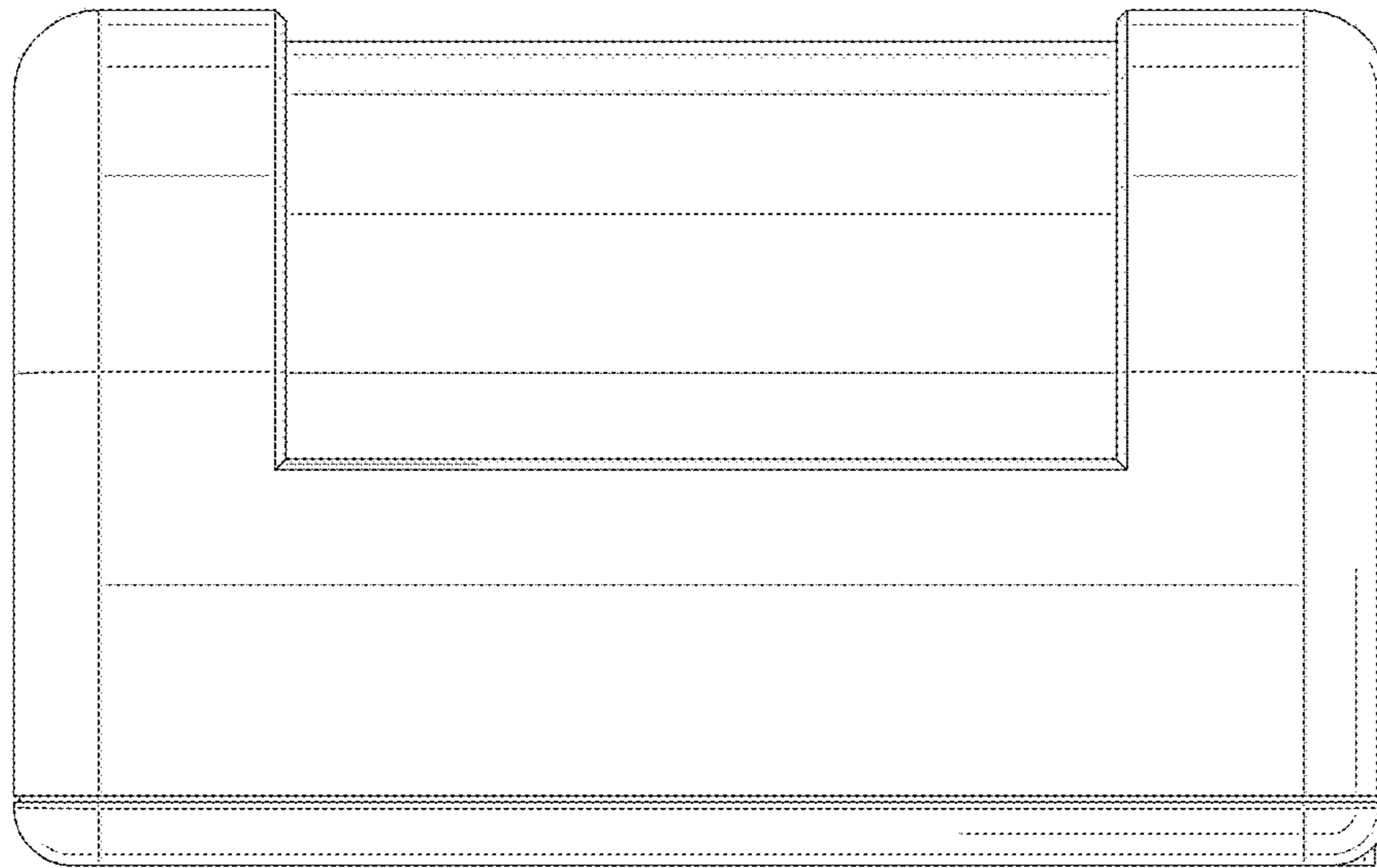


FIG. 3

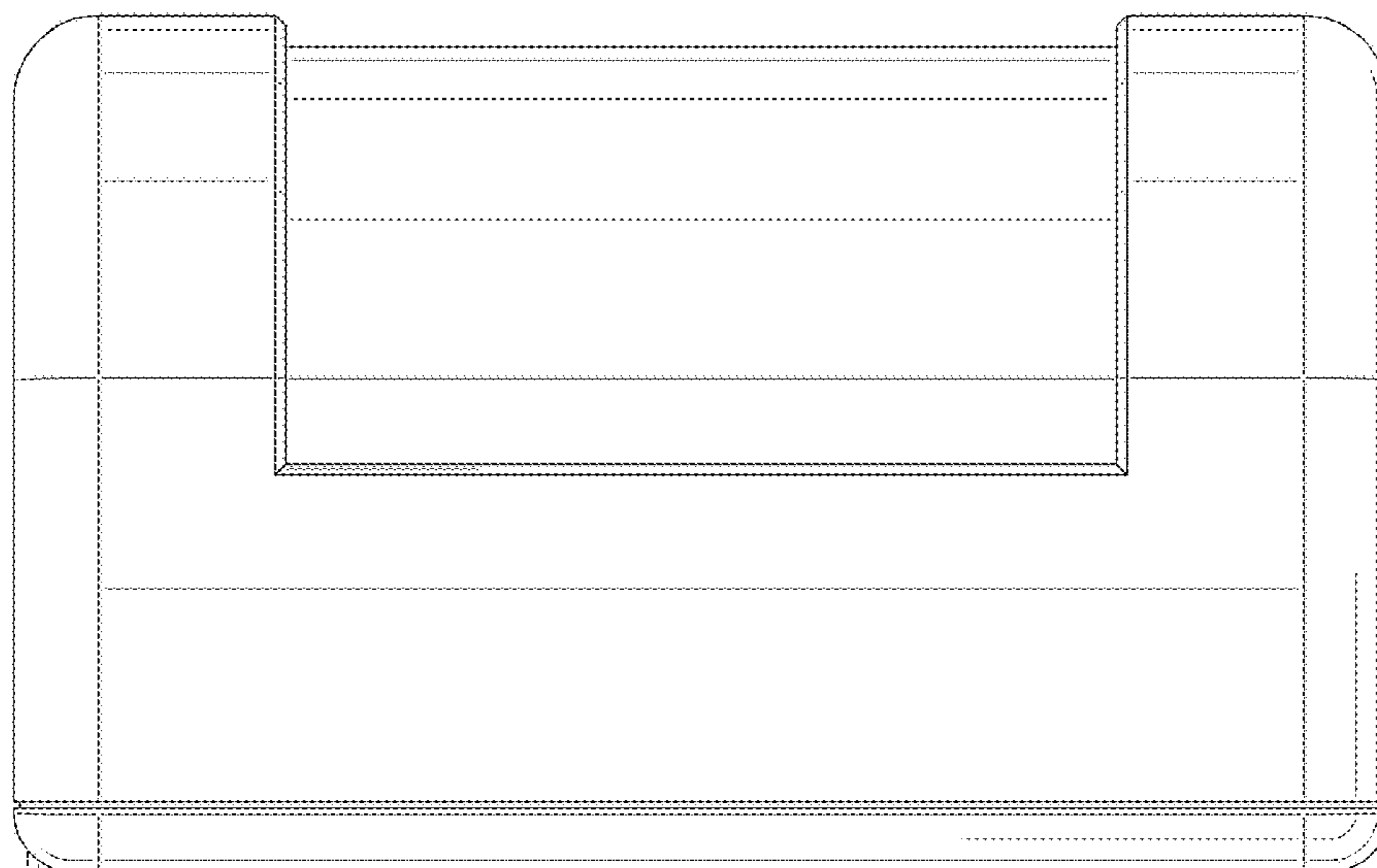


FIG. 4

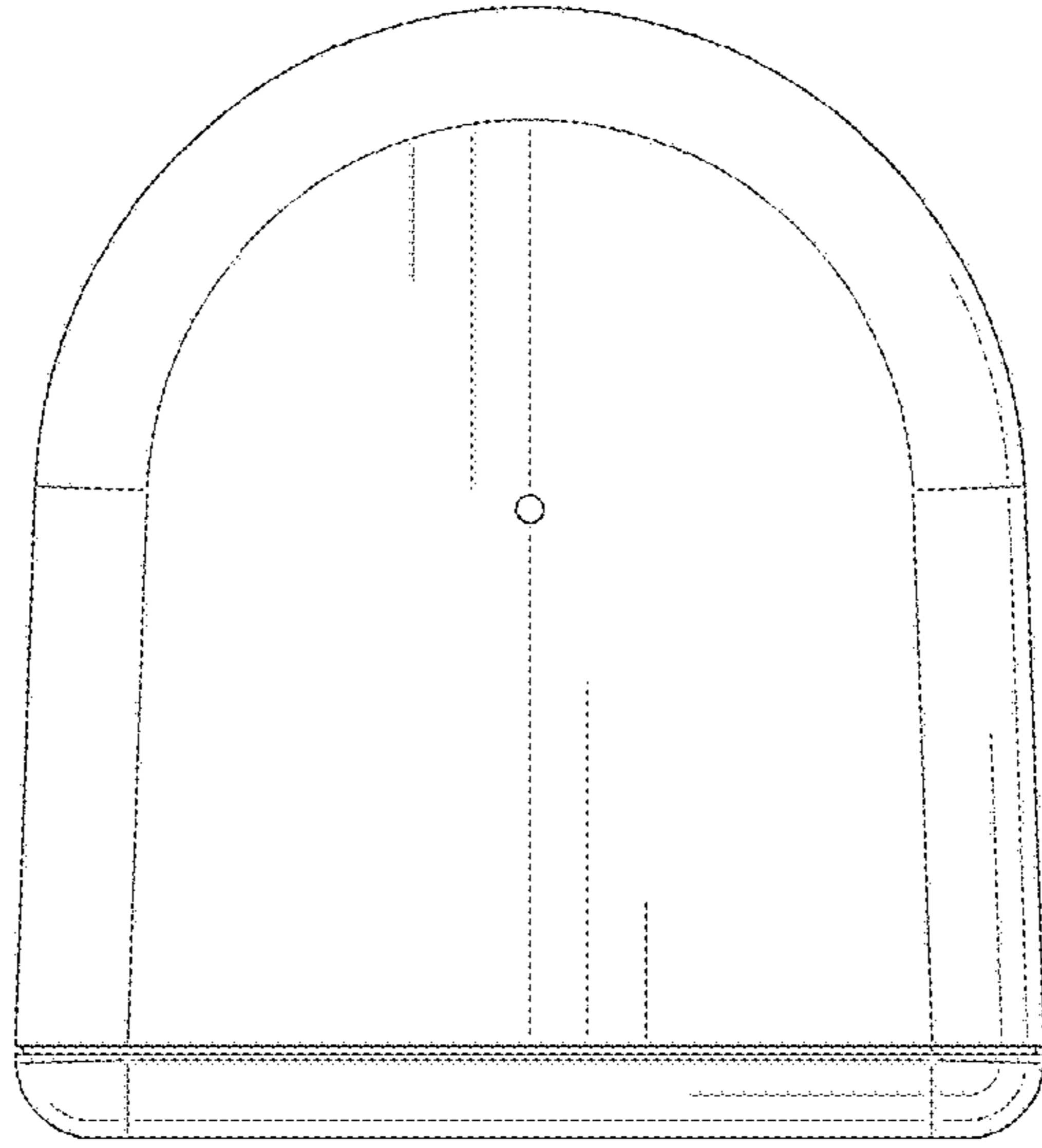


FIG. 5

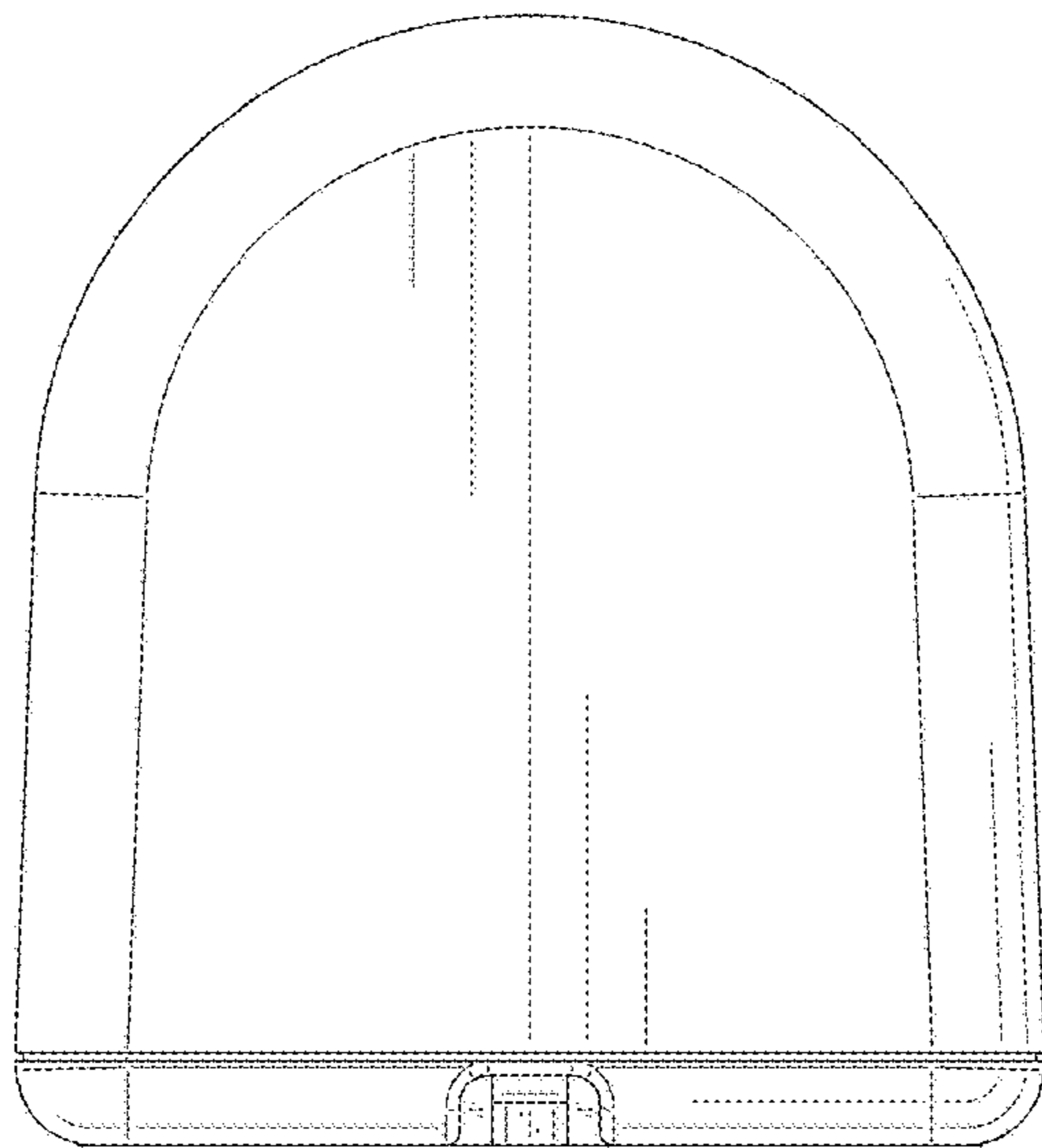


FIG. 6

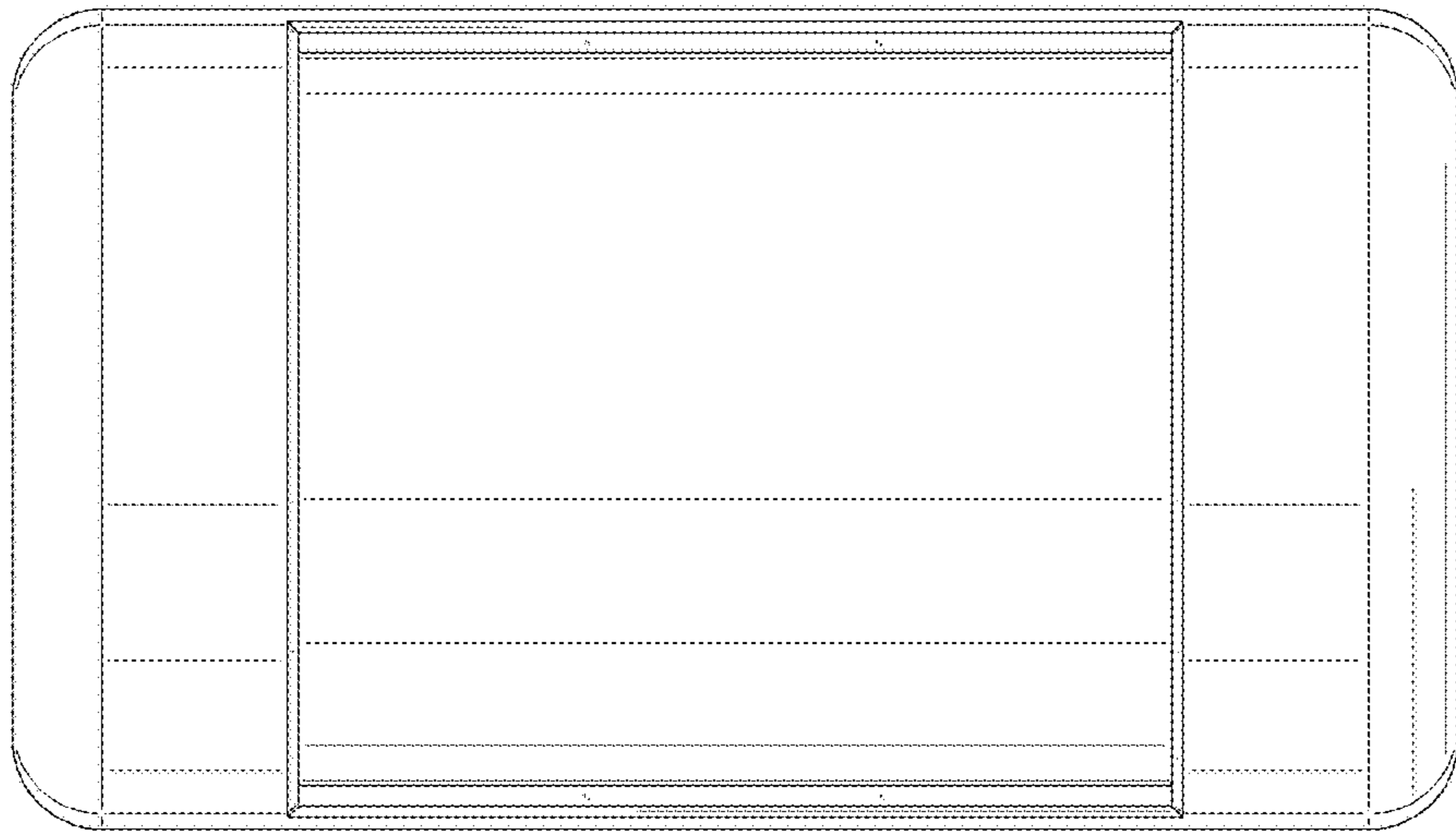


FIG. 7

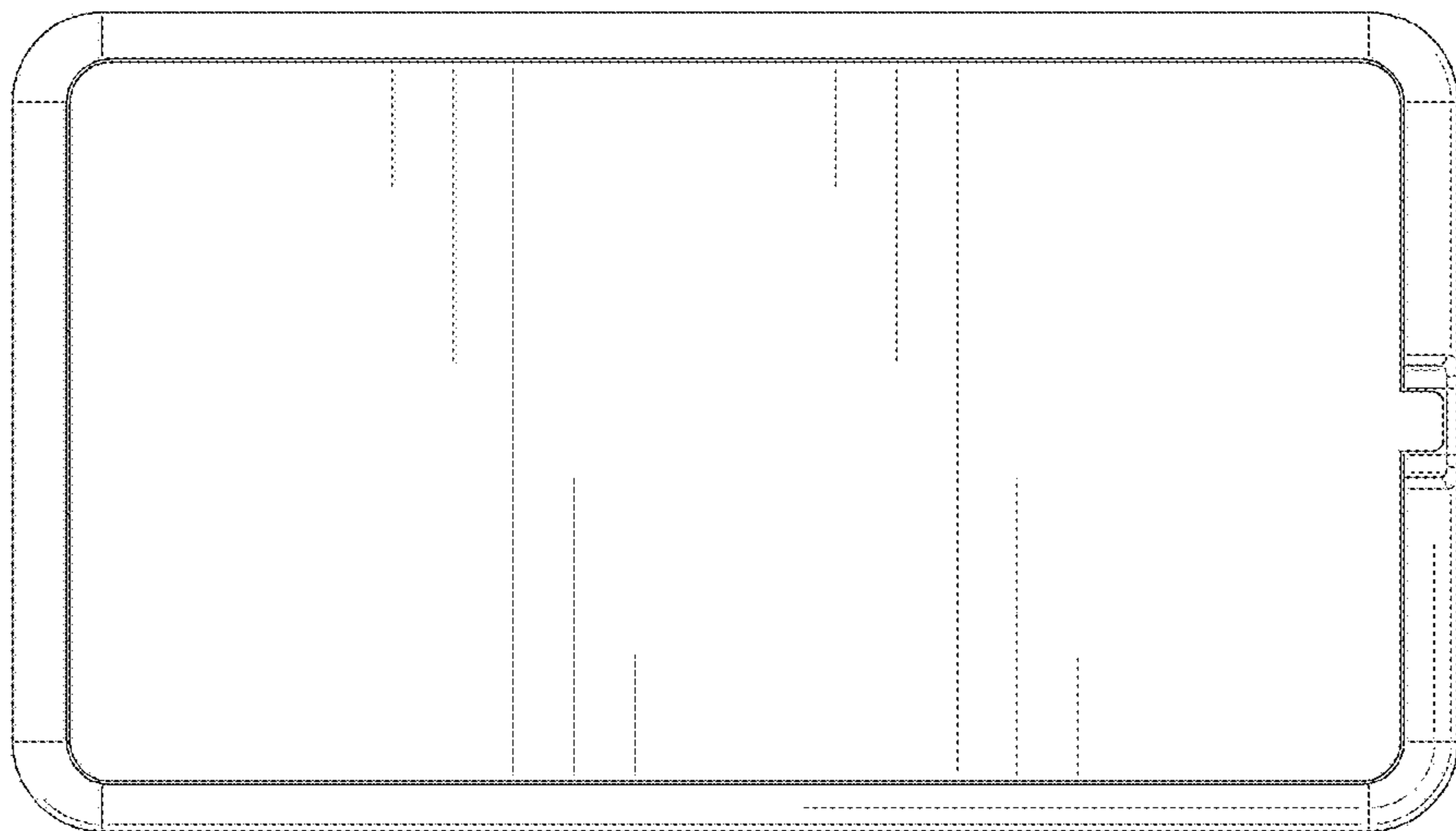


FIG. 8