



US00D861525S

(12) **United States Design Patent**  
**Wang**

(10) **Patent No.:** **US D861,525 S**

(45) **Date of Patent:** **\*\* Oct. 1, 2019**

(54) **GIMBAL**

F16M 2200/041; F16M 2200/042; F16M 2200/044; F16M 2200/045; F16M 2200/047; F16M 2200/048; G01C 21/18; G03B 17/561

(71) Applicant: **AUTEL ROBOTICS CO., LTD.**,  
Shenzhen, Guangdong (CN)

See application file for complete search history.

(72) Inventor: **Yongshuai Wang**, Guangdong (CN)

(56) **References Cited**

(73) Assignee: **AUTEL ROBOTICS CO., LTD.**,  
Shenzhen, Guangdong (CN)

U.S. PATENT DOCUMENTS

(\*\*) Term: **15 Years**

9,791,767 B2 \* 10/2017 Ye ..... G03B 17/561  
D828,434 S \* 9/2018 Kim ..... D16/242  
10,073,326 B2 \* 9/2018 Zhou ..... F16M 13/02

(21) Appl. No.: **29/623,880**

\* cited by examiner

(22) Filed: **Oct. 27, 2017**

*Primary Examiner* — Antoine Duval Davis

(30) **Foreign Application Priority Data**

(74) *Attorney, Agent, or Firm* — Ladas & Parry LLP

May 2, 2017 (CN) ..... 2017 3 0154868

May 2, 2017 (CN) ..... 2017 3 0154870

(51) **LOC (12) Cl.** ..... **10-04**

(52) **U.S. Cl.**

USPC ..... **D10/103**; D14/217; D16/242; D26/142

(58) **Field of Classification Search**

USPC ..... D8/355, 373, 380; D10/103; D14/217;  
D16/242; D26/142; 360/245, 245.1,  
360/245.2, 245.3, 245.4, 245.5, 245.6,  
360/245.7

CPC .... F16M 11/041; F16M 11/105; F16M 11/18;  
F16M 11/2014; F16M 11/06; F16M  
11/08; F16M 11/10; F16M 11/20; F16M  
11/2007; F16M 11/2021; F16M 11/2028;  
F16M 11/2035; F16M 2200/08; F16M  
13/04; F16M 13/02; F16M 13/06; F16M  
11/00; F16M 11/14; F16M 13/00; F16M  
13/005; F16M 2200/00; F16M 2200/04;

(57) **CLAIM**

What is claimed is the ornamental design for a gimbal, as shown and described.

**DESCRIPTION**

FIG. 1 is a front elevational view of the gimbal showing our new design;

FIG. 2 is a back elevational view thereof;

FIG. 3 is a left side elevational view thereof;

FIG. 4 is a right side elevational view thereof;

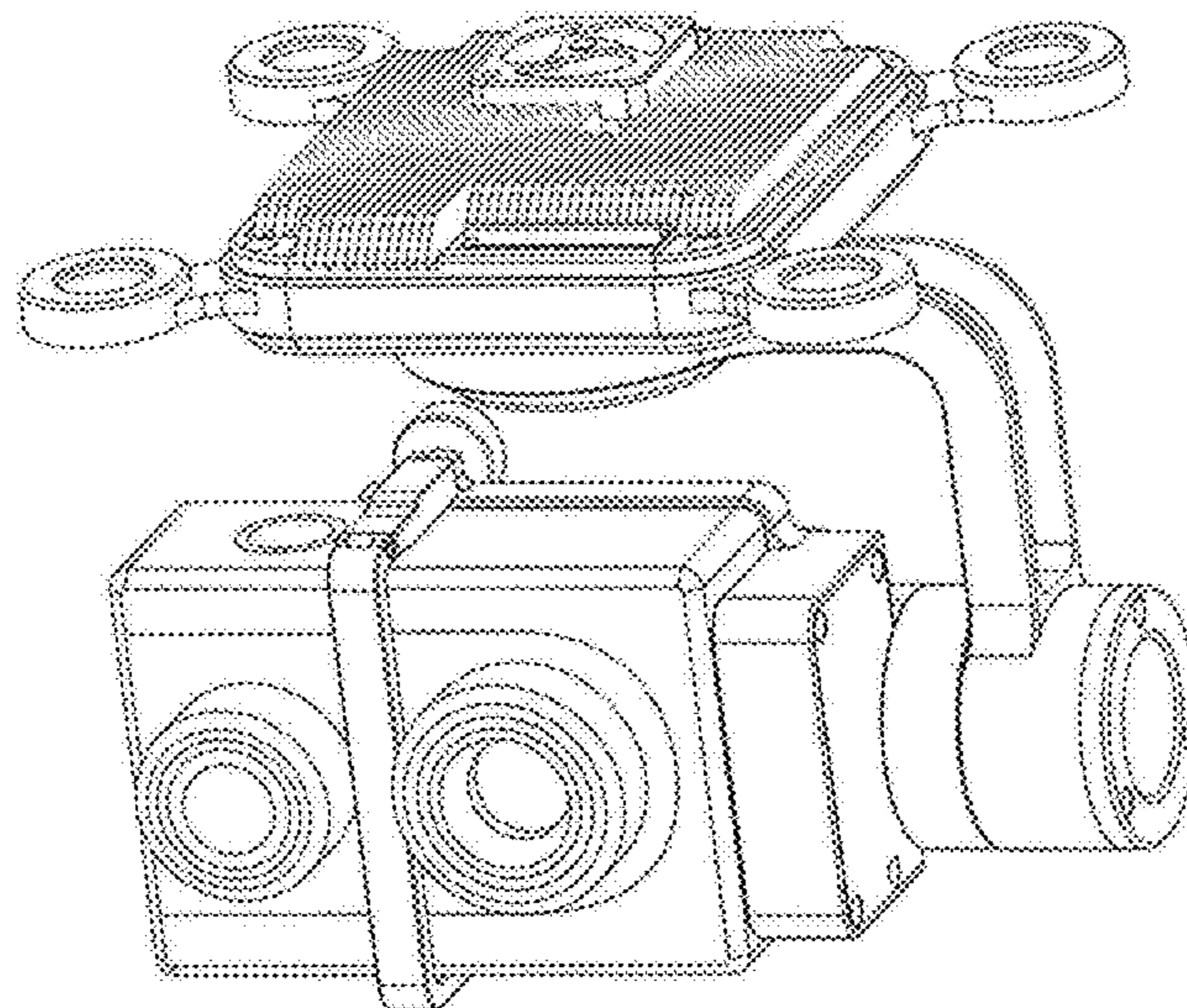
FIG. 5 is a top plan view thereof;

FIG. 6 is a bottom plan view thereof; and,

FIG. 7 is a perspective view thereof.

The broken line portions in FIG. 4 are included to show portions of the article that form no part of the claimed design.

**1 Claim, 7 Drawing Sheets**



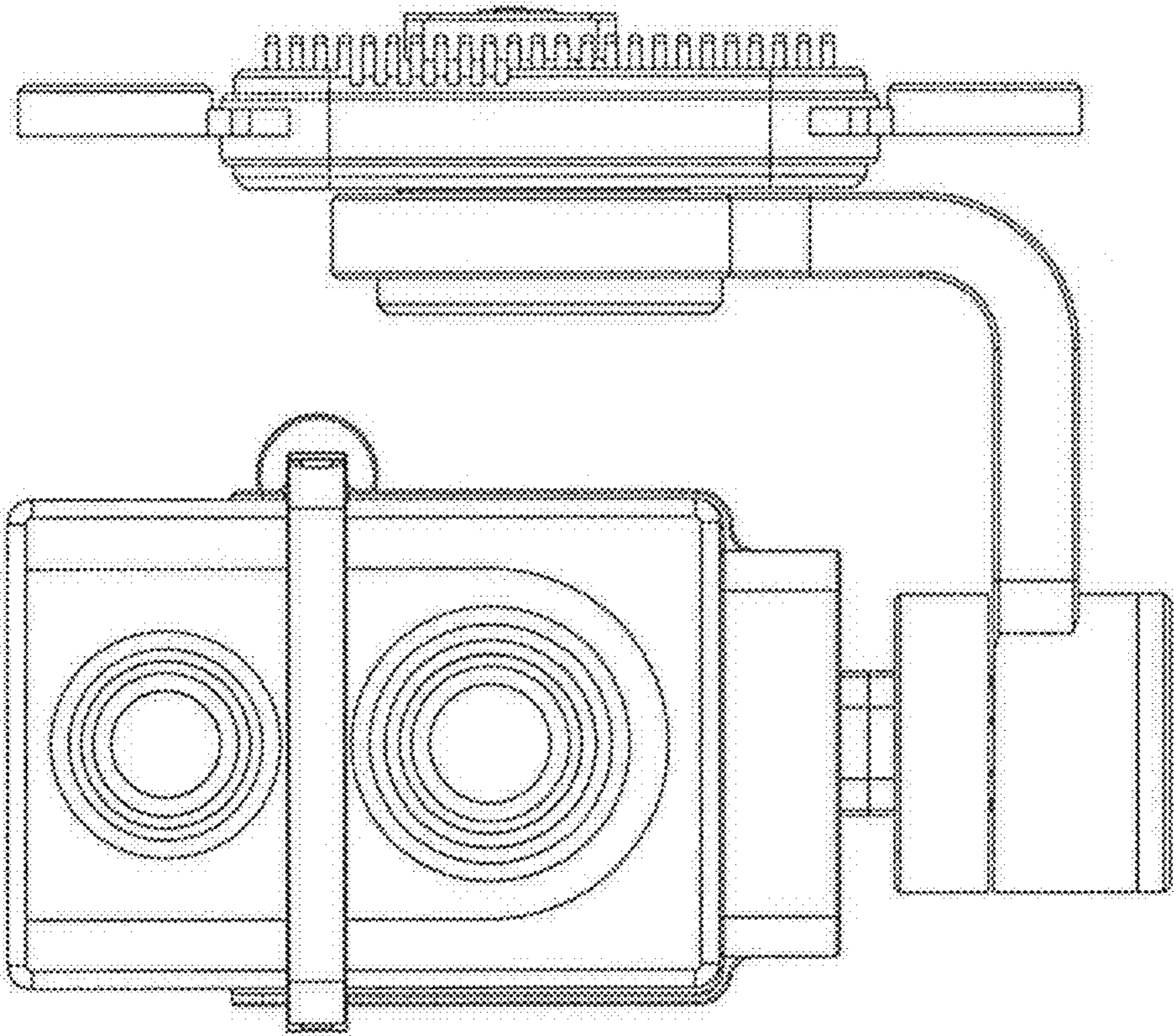


FIG. 1

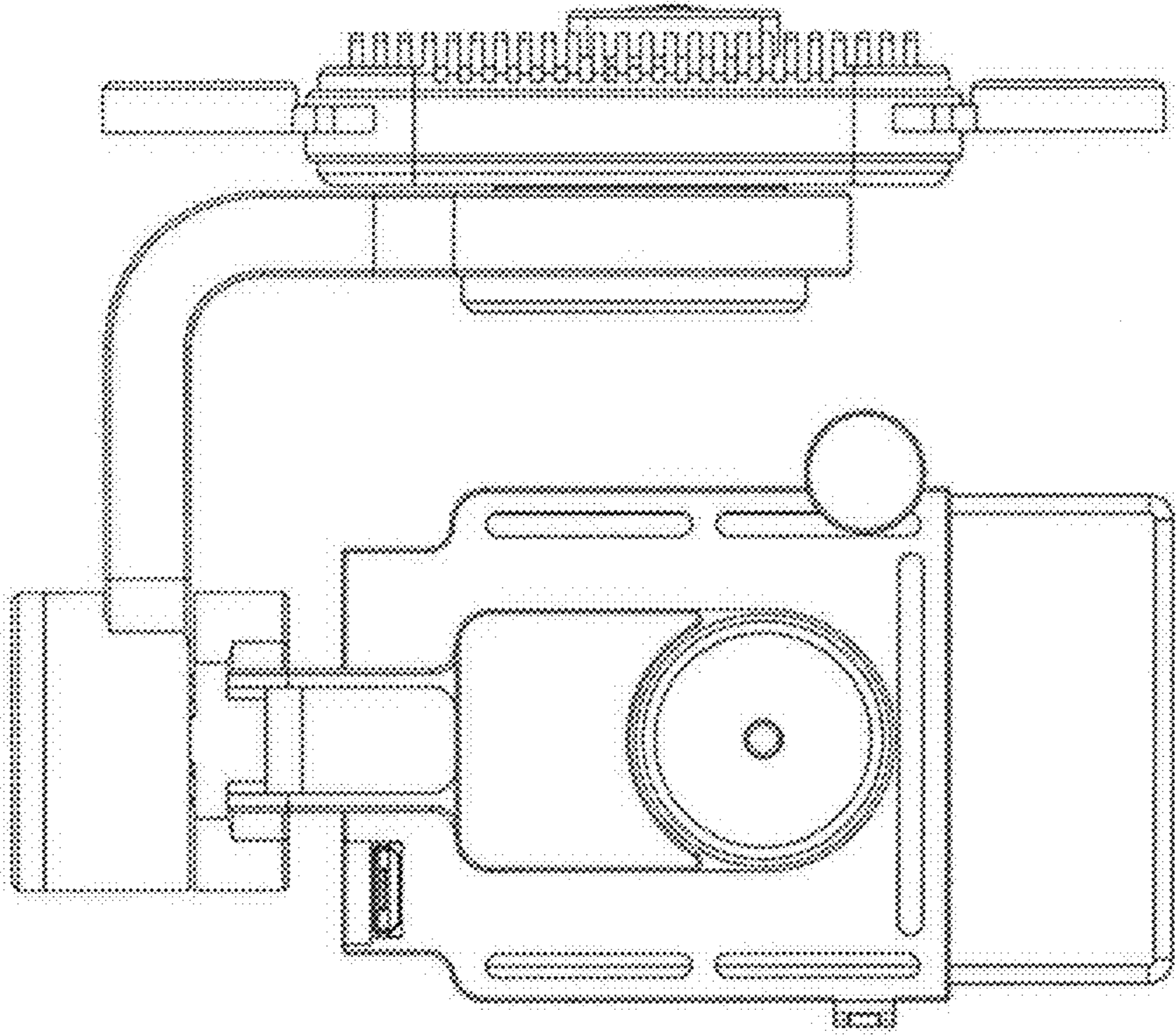


FIG. 2

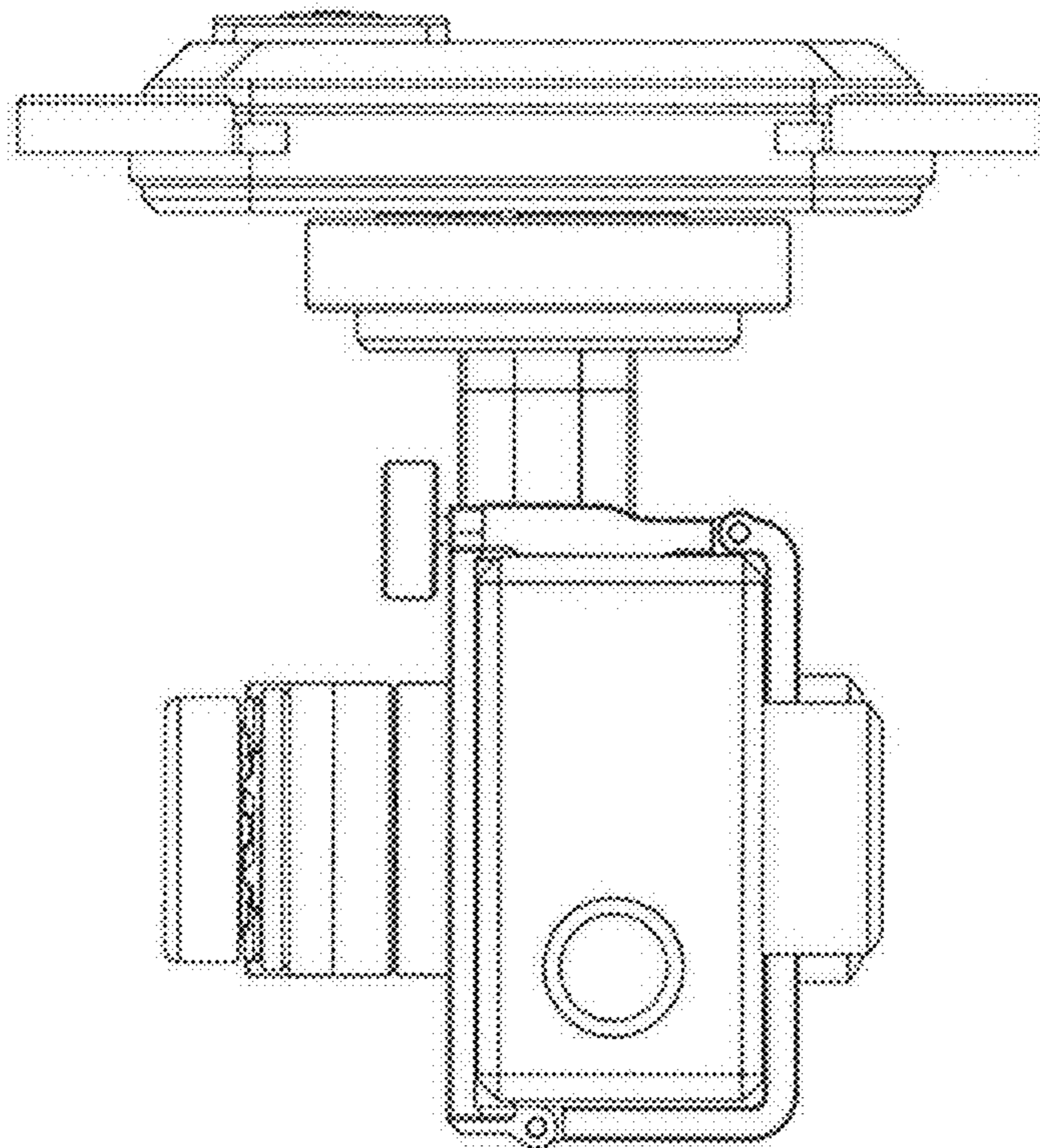


FIG. 3

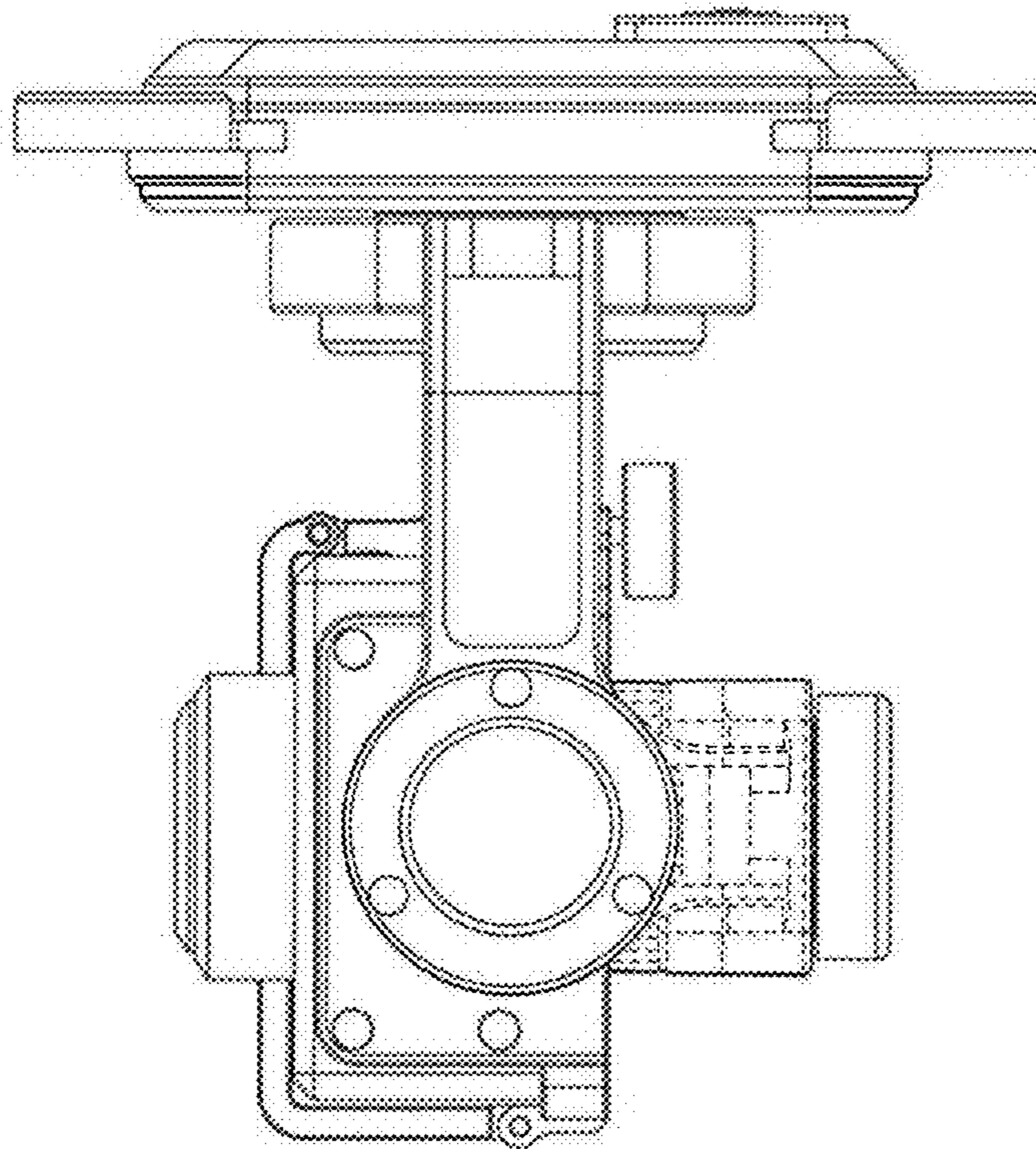


FIG. 4

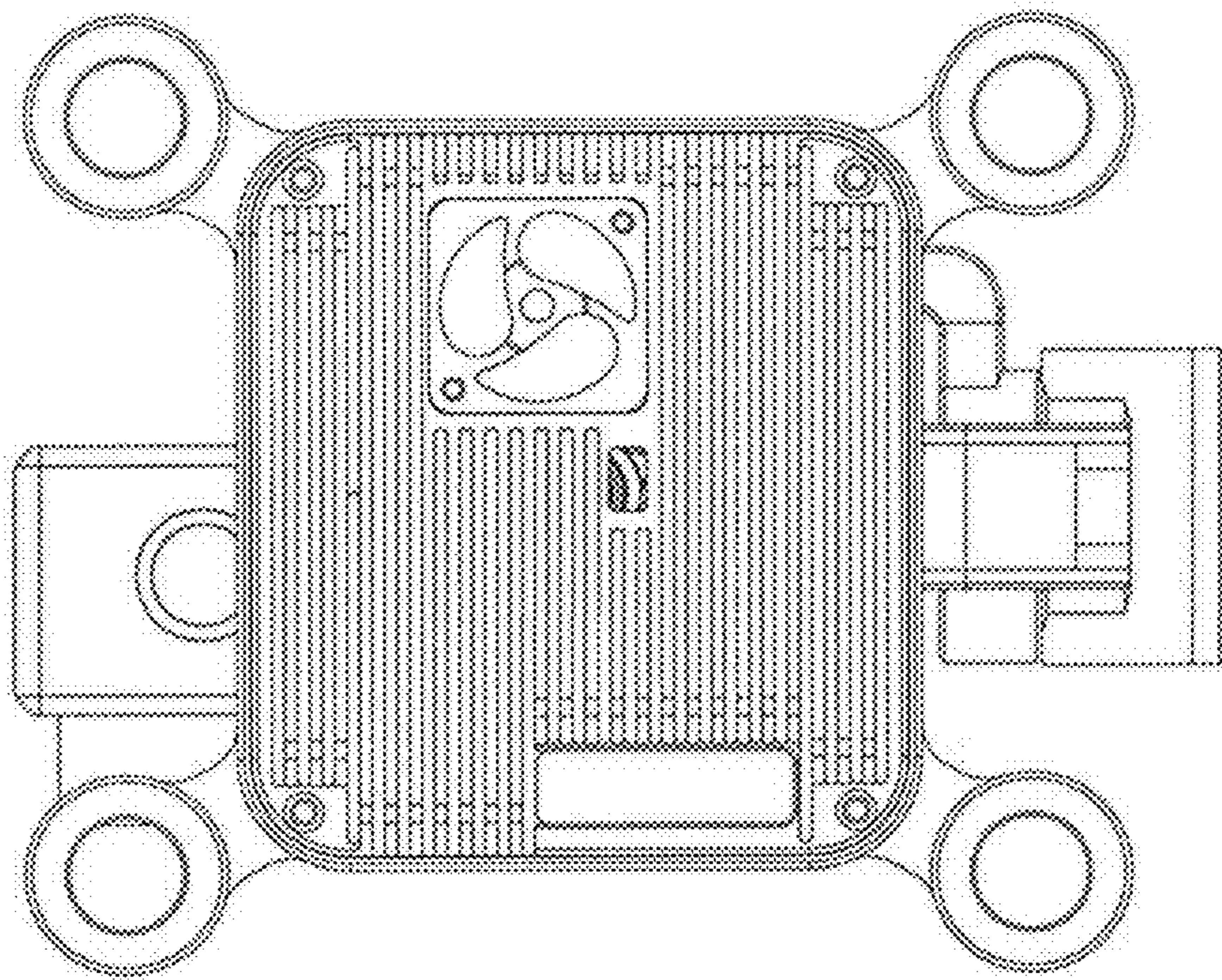


FIG. 5

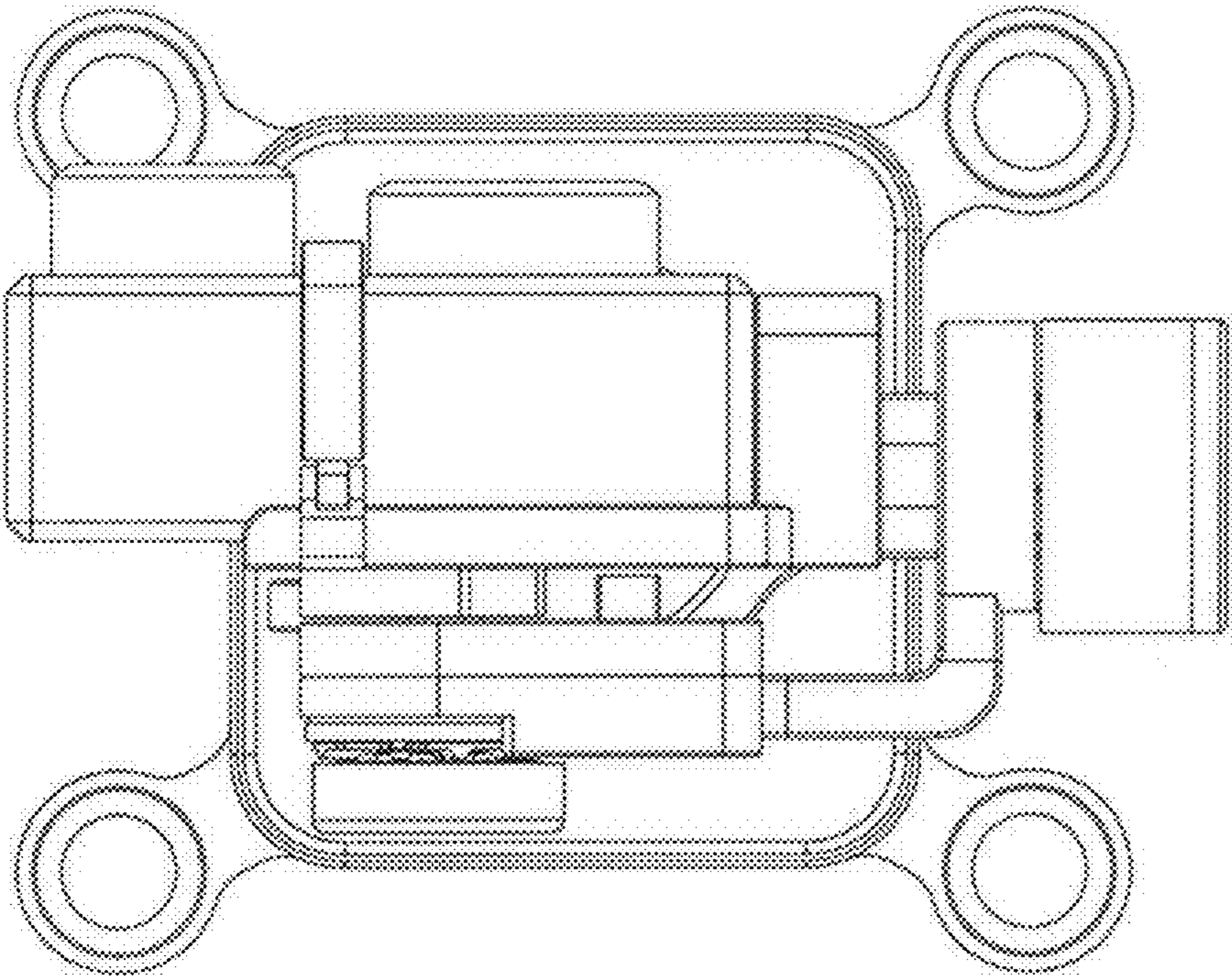


FIG. 6

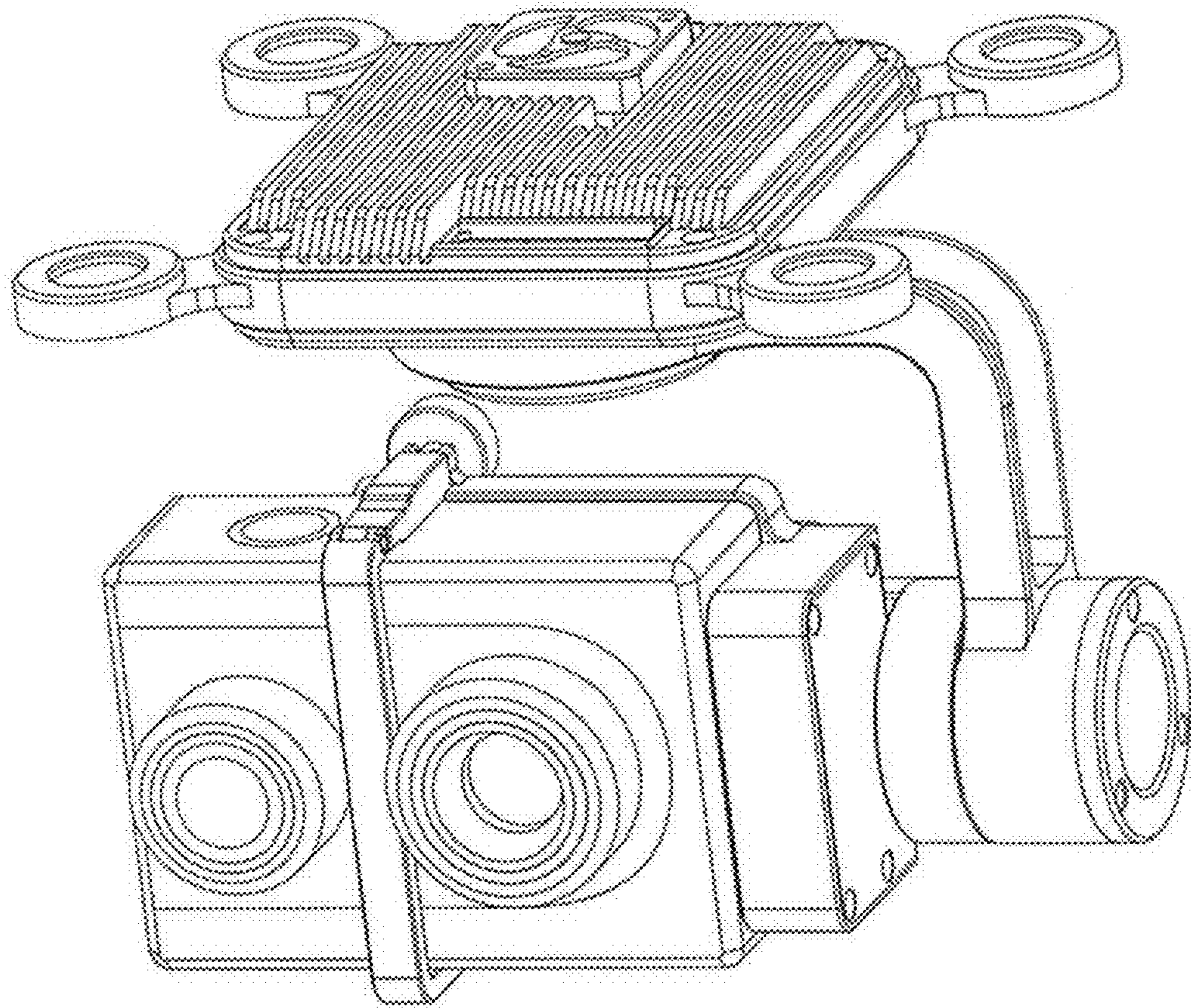


FIG. 7