



US00D861524S

(12) **United States Design Patent**  
**Takimoto et al.**

(10) **Patent No.:** **US D861,524 S**

(45) **Date of Patent:** **\*\* \*Oct. 1, 2019**

(54) **PRESSURE DETECTOR**

FOREIGN PATENT DOCUMENTS

(71) Applicant: **SAGINOMIYA SEISAKUSHO, INC.**,  
Tokyo (JP)

JP	1486624 S	12/2013
JP	1587903 S	10/2017
JP	1592259 S	12/2017
JP	1592503 S	12/2017

(72) Inventors: **Kazuya Takimoto**, Sayama (JP);  
**Kazunori Hirai**, Tokorozawa (JP)

\* cited by examiner

(73) Assignee: **SAGINOMIYA SEISAKUSHO, INC.**,  
Tokyo (JP)

*Primary Examiner* — Antoine Duval Davis

(\*) Notice: This patent is subject to a terminal disclaimer.

(74) *Attorney, Agent, or Firm* — Studebaker & Brackett  
PC

(\*\*) Term: **15 Years**

(21) Appl. No.: **29/648,520**

(57) **CLAIM**

(22) Filed: **May 22, 2018**

The ornamental design for a pressure detector, as shown and described.

(30) **Foreign Application Priority Data**

Mar. 7, 2018 (CN) ..... 2018 3 0085121

(51) **LOC (12) Cl.** ..... **10-04**

(52) **U.S. Cl.**  
USPC ..... **D10/85**

(58) **Field of Classification Search**  
USPC ..... D10/83-85  
CPC .... G01L 19/14; G01L 19/0084; F25B 49/005;  
F25B 2700/19; G01D 11/24; G01D  
11/245; H01R 4/02; H01R 43/02  
See application file for complete search history.

**DESCRIPTION**

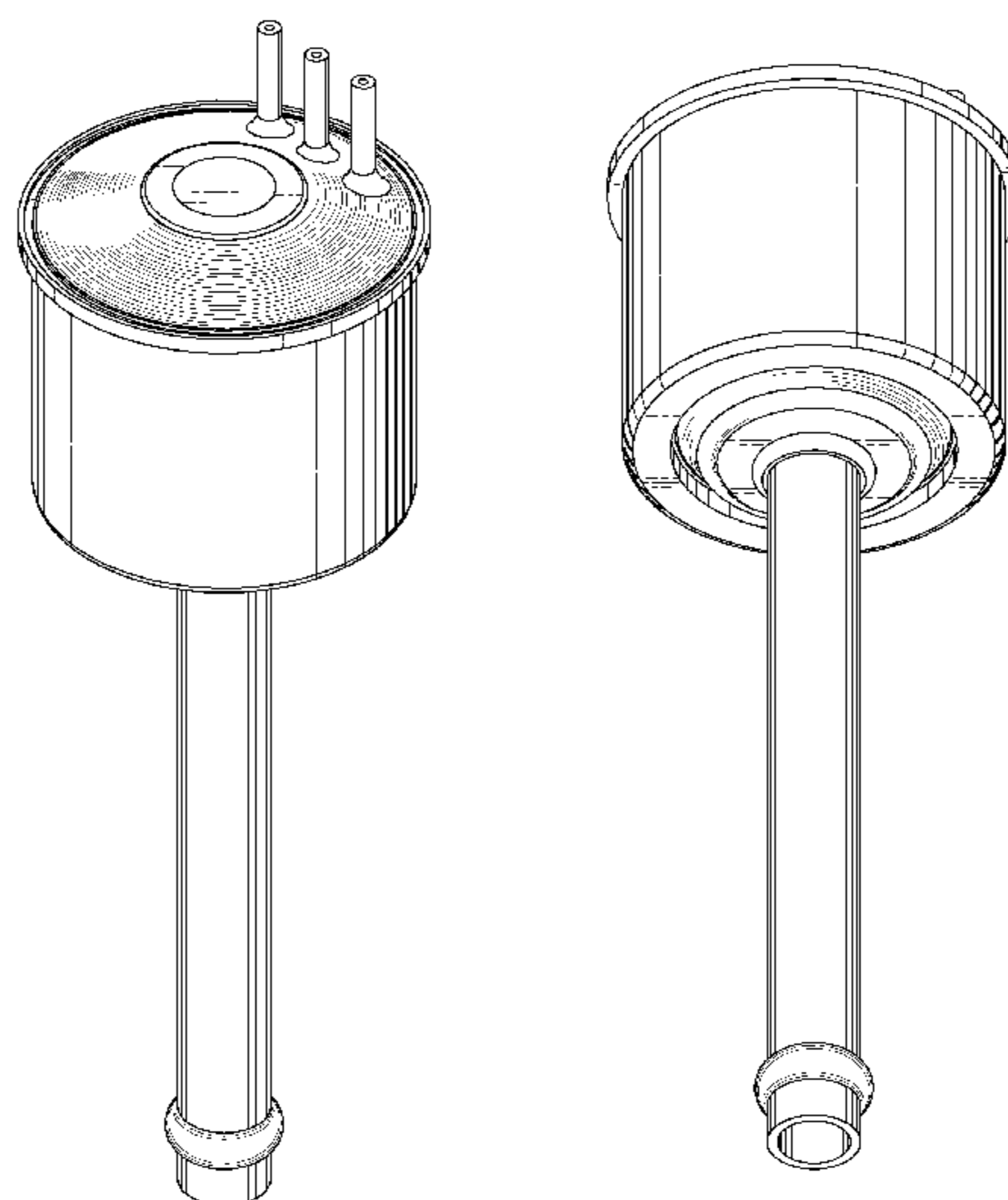
FIG. 1 is a front view of a pressure detector showing our new design;  
FIG. 2 is a rear view thereof;  
FIG. 3 is a left side view thereof;  
FIG. 4 is a right side view thereof;  
FIG. 5 is a top plan view thereof;  
FIG. 6 is a bottom view thereof;  
FIG. 7 is a top, front, right side perspective view thereof;  
and,  
FIG. 8 is a bottom, front, right side perspective view thereof.

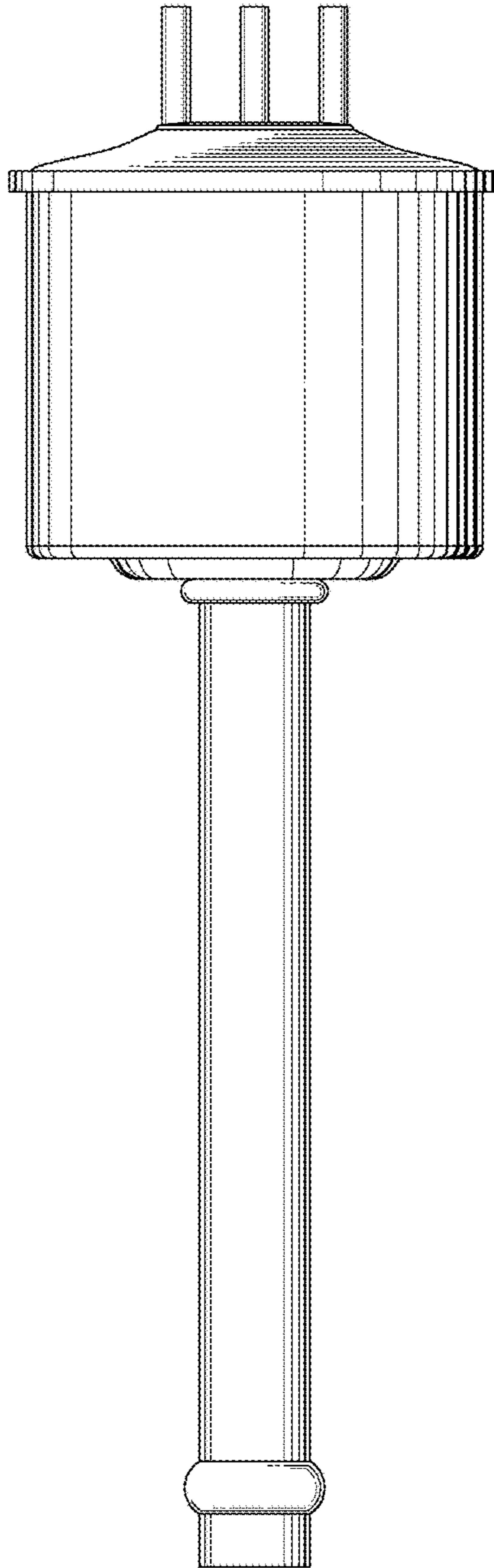
(56) **References Cited**

U.S. PATENT DOCUMENTS

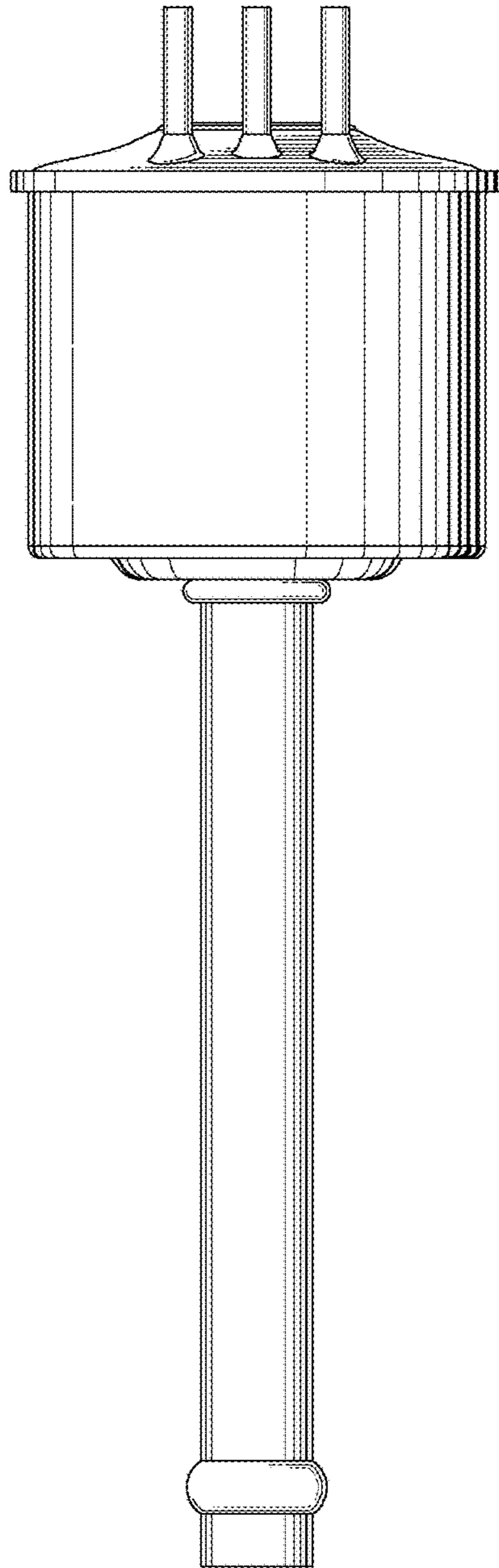
3,543,715 A *	12/1970	Hill	.....	B60C 23/00 116/34 A
5,396,803 A *	3/1995	Ferran	.....	G01L 9/0072 73/718
D695,140 S *	12/2013	Ashino	.....	D10/85

**1 Claim, 8 Drawing Sheets**

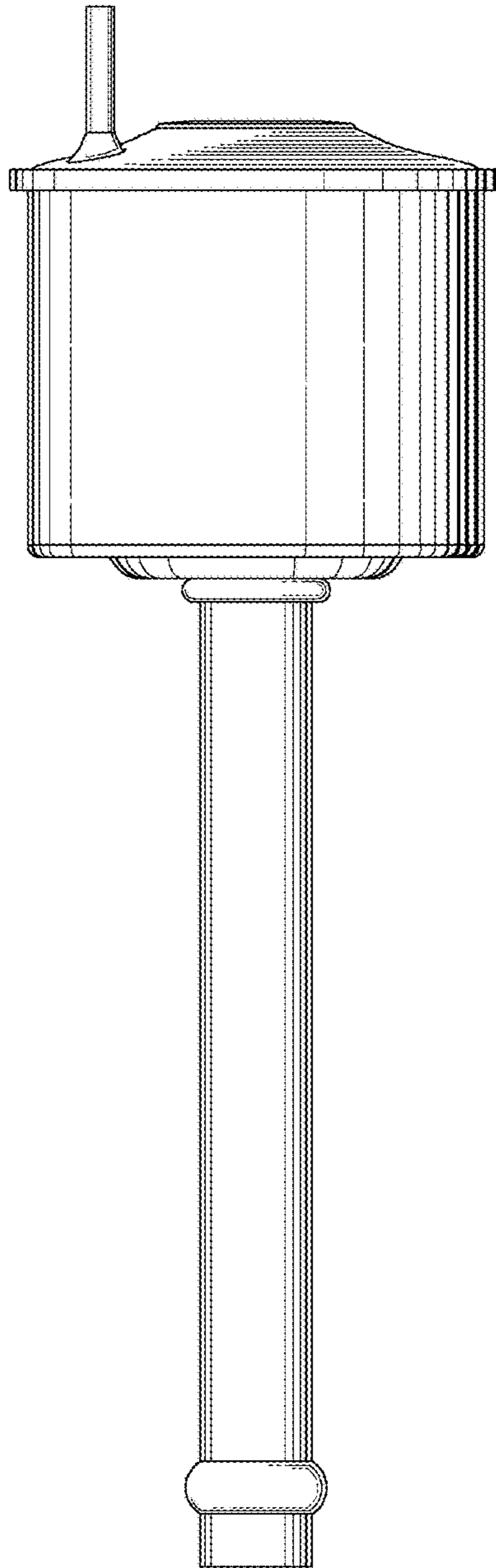




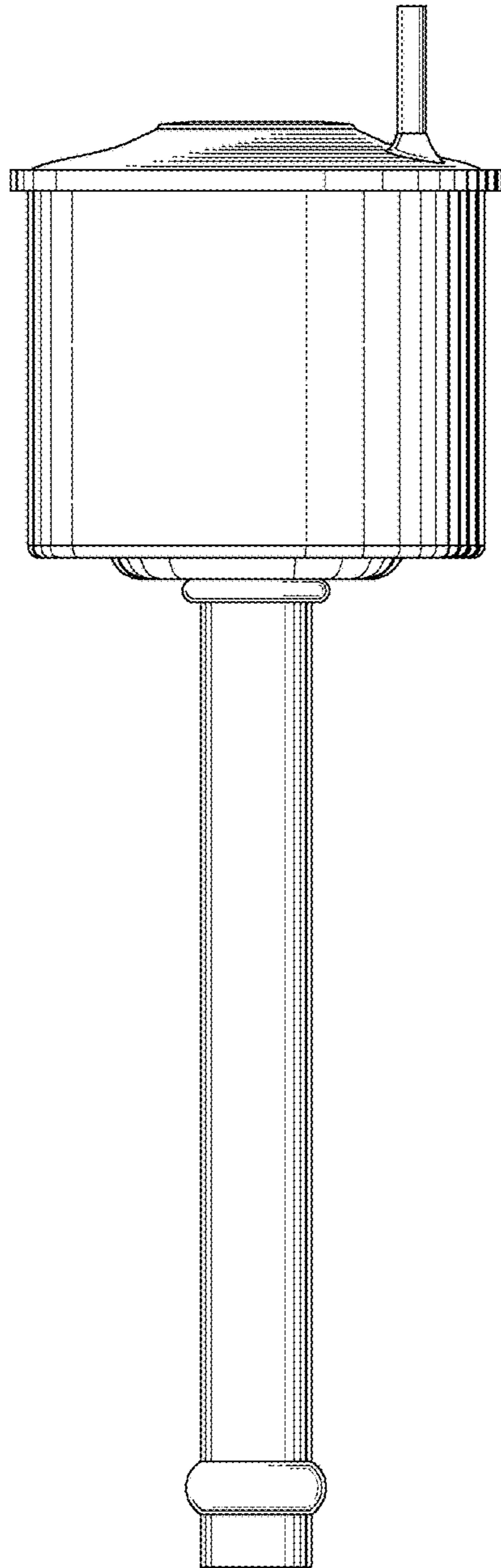
**FIG. 1**



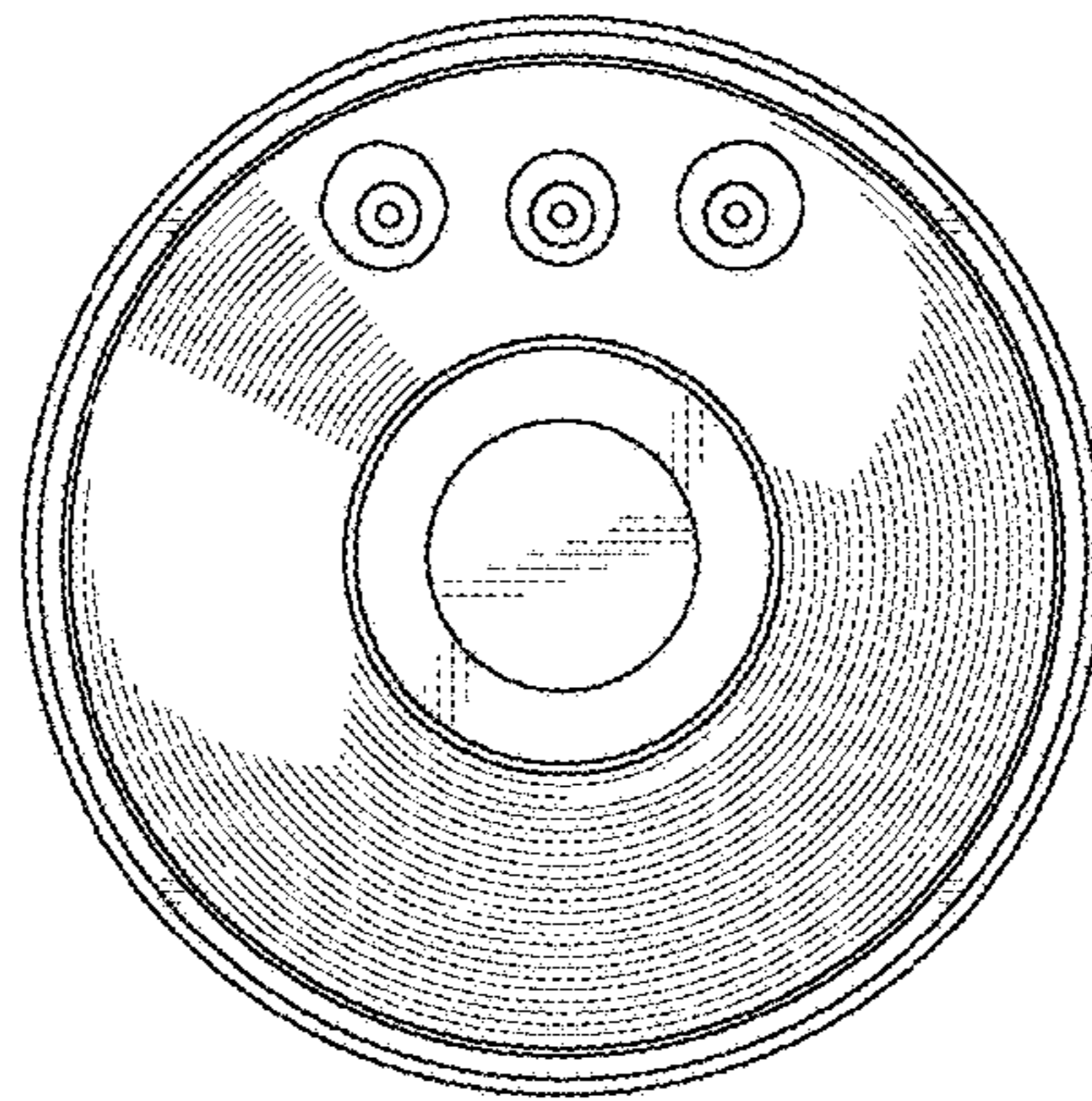
**FIG. 2**



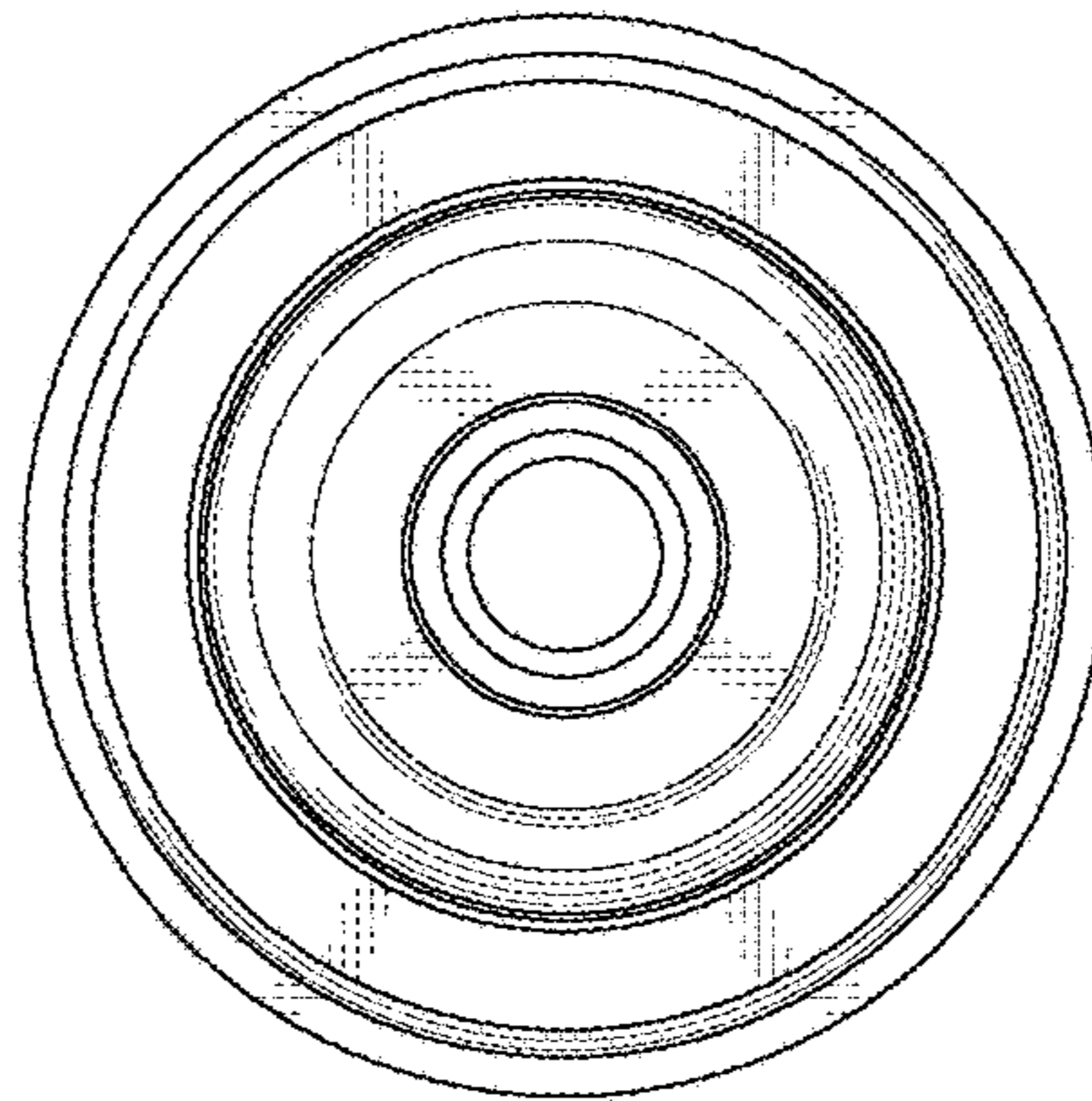
**FIG. 3**



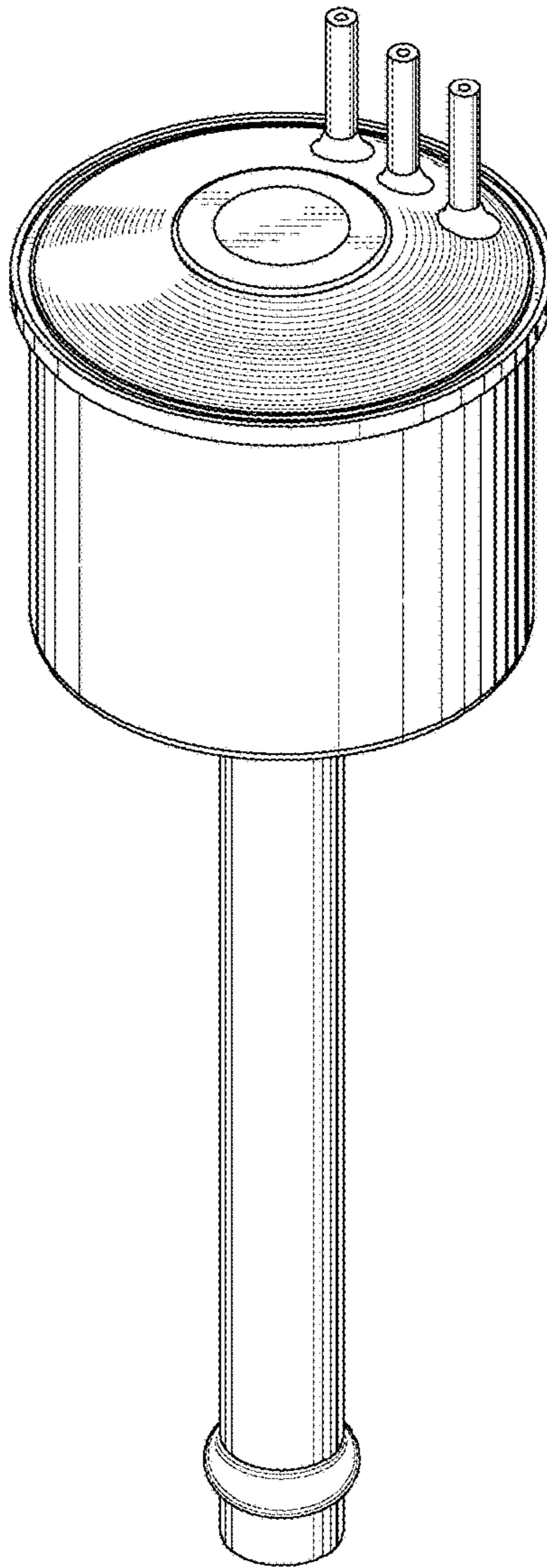
**FIG. 4**



**FIG. 5**

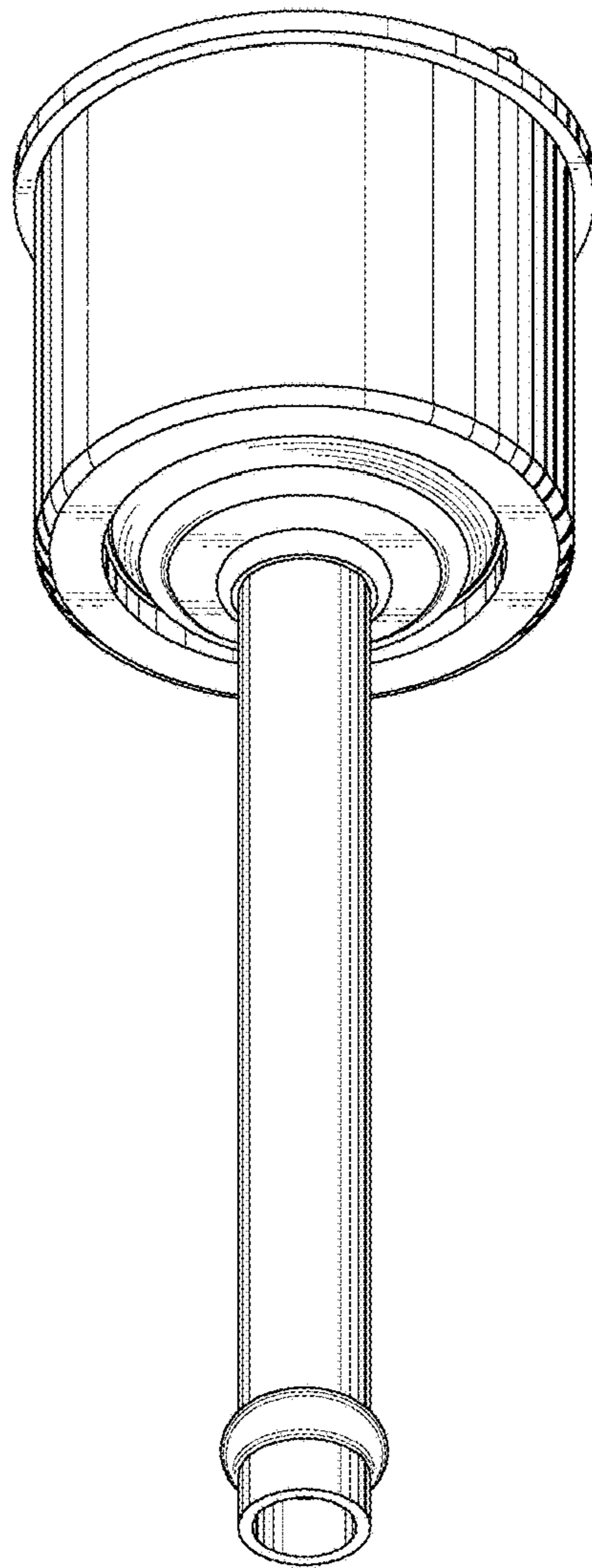


**FIG. 6**



**FIG. 7**





**FIG. 8**