



US00D861523S

(12) **United States Design Patent**
Chen

(10) **Patent No.:** **US D861,523 S**
(45) **Date of Patent:** **** Oct. 1, 2019**

- (54) **TURBIDITY METER**
- (71) Applicant: **Li-Chuan Chen**, Taipei (TW)
- (72) Inventor: **Li-Chuan Chen**, Taipei (TW)
- (**) Term: **15 Years**
- (21) Appl. No.: **29/649,930**
- (22) Filed: **Jun. 4, 2018**
- (51) **LOC (12) Cl.** **10-04**
- (52) **U.S. Cl.**
USPC **D10/81; D10/78**
- (58) **Field of Classification Search**
USPC D10/78, 81
CPC G01N 15/06; G01N 15/0606; G01N 15/0612; G01N 15/0618; G01N 15/0625; G01N 15/0631; G01N 15/0637; G01N 15/0643; G01N 15/065; G01N 15/0656; G01N 2015/0662; G01N 2015/0668; G01N 2015/0675; G01N 2015/0681; G01N 2015/0687; G01N 2015/0693; G01N 21/47; G01N 21/4738; G01N 21/474; G01N 21/4785; G01N 21/4788; G01N 21/4795; G01N 21/49; G01N 21/51; G01N 21/53; G01N 21/532; G01N 21/534; G01N 21/538; G01N 21/55; G01N 21/552; G01N 21/553; G01N 21/554; G01N 21/57; G01N 21/59; G01N 21/5907; G01N 21/5911; G01N 21/61; G01N 2021/4702; G01N 2021/4704; G01N 2021/4707; G01N 2021/4709; G01N 2021/4711; G01N 2021/4714; G01N 2021/4716; G01N 2021/4719; G01N 2021/4721; G01N 2021/4723; G01N 2021/4726; G01N 2021/4728; G01N 2021/473; G01N 2021/4733; G01N 2021/4735; G01N 2021/4742; G01N 2021/4745; G01N 2021/475; G01N 2021/4752; G01N 2021/4754; G01N 2021/4757; G01N 2021/4759; G01N 2021/4761; G01N 2021/4764; G01N

2021/4766; G01N 2021/4769; G01N 2021/4771; G01N 2021/4773; G01N 2021/4776; G01N 2021/4778; G01N 2021/478; G01N 2021/4783; G01N 2021/479; G01N 2021/4792; G01N 2021/4797; G01N 2021/495; G01N 2021/513; G01N 2021/516; G01N 2021/536; G01N 2021/551; G01N 2021/555; G01N 2021/556; G01N 2021/557; G01N 2021/558; G01N 2021/559; G01N 2021/575; G01N 2021/5903; G01N 2021/5915; G01N 2021/5919; G01N 2021/5923; G01N 2021/5926; G01N 2012/593; G01N
(Continued)

(56) **References Cited**

U.S. PATENT DOCUMENTS

D449,549 S * 10/2001 Hoelbl D10/78
D625,635 S * 10/2010 Tian D10/78
(Continued)

Primary Examiner — Antoine Duval Davis
(74) *Attorney, Agent, or Firm* — Pai Patent & Trademark Law Firm; Chao-Chang David Pai

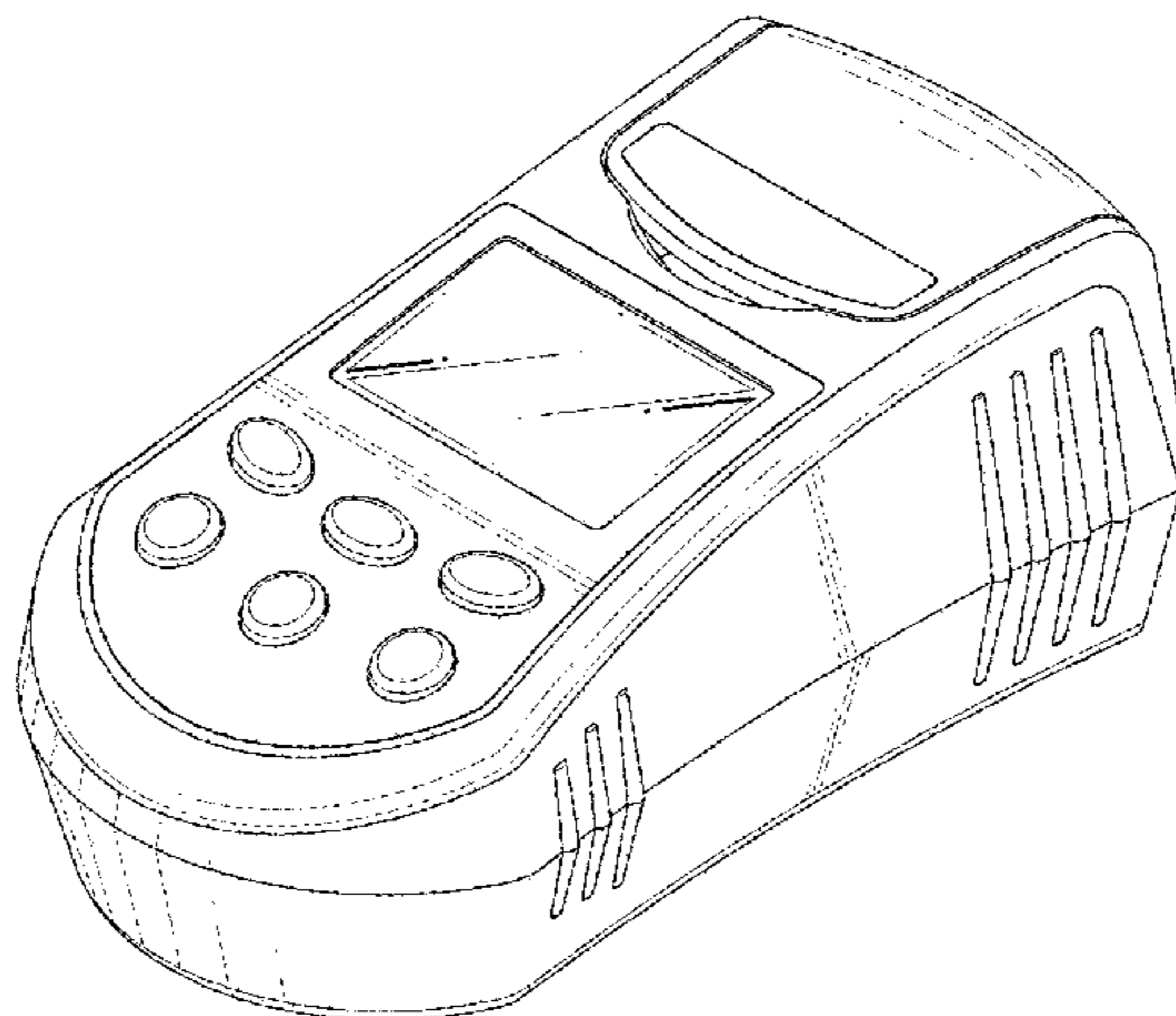
(57) **CLAIM**

The ornamental design for a turbidity meter, as shown.

DESCRIPTION

FIG. 1 is a perspective view of a turbidity meter showing my new design;
FIG. 2 is a front view thereof;
FIG. 3 is a rear view thereof;
FIG. 4 is a left side view thereof;
FIG. 5 is a right side view thereof;
FIG. 6 is a top view thereof;
FIG. 7 is a bottom view thereof; and,
FIG. 8 is an operational perspective view thereof.

1 Claim, 8 Drawing Sheets



(58) **Field of Classification Search**

CPC 2021/5934; G01N 2021/5938; G01N
2021/5942; G01N 2021/5946; G01N
2021/5949; G01N 2021/5953; G01N
2021/5957; G01N 2021/5961; G01N
2021/5965; G01N 2021/5969; G01N
2021/5973; G01N 2021/5976; G01N
2021/598; G01N 2021/5984; G01N
2021/5988; G01N 2021/5992; G01N
2021/5996; G01N 2021/151; G01N
21/85; G01N 21/8507; G01N 2021/8514;
G01N 2021/8521; G01N 2921/8528;
G01N 2021/8535; G01N 2021/8542;
G01N 2021/855; G01N 2021/8557; G01N
2021/8564; G01N 2021/8571; G01N
2021/8578; G01N 2021/8585; G01N
2021/8592; G01N 21/86; G01N
2021/8609; G01N 2021/8618; G01N
2021/8627; G01N 2021/8636; G01N
2021/8645; G01N 2021/8654; G01N
2021/8663; G01N 2021/8672; G01N
2021/8681; G01N 2021/869

See application file for complete search history.

(56) **References Cited**

U.S. PATENT DOCUMENTS

8,696,991 B1 * 4/2014 Howe G01N 21/553
422/400
9,261,450 B2 * 2/2016 Takeshita G01N 15/0656

* cited by examiner

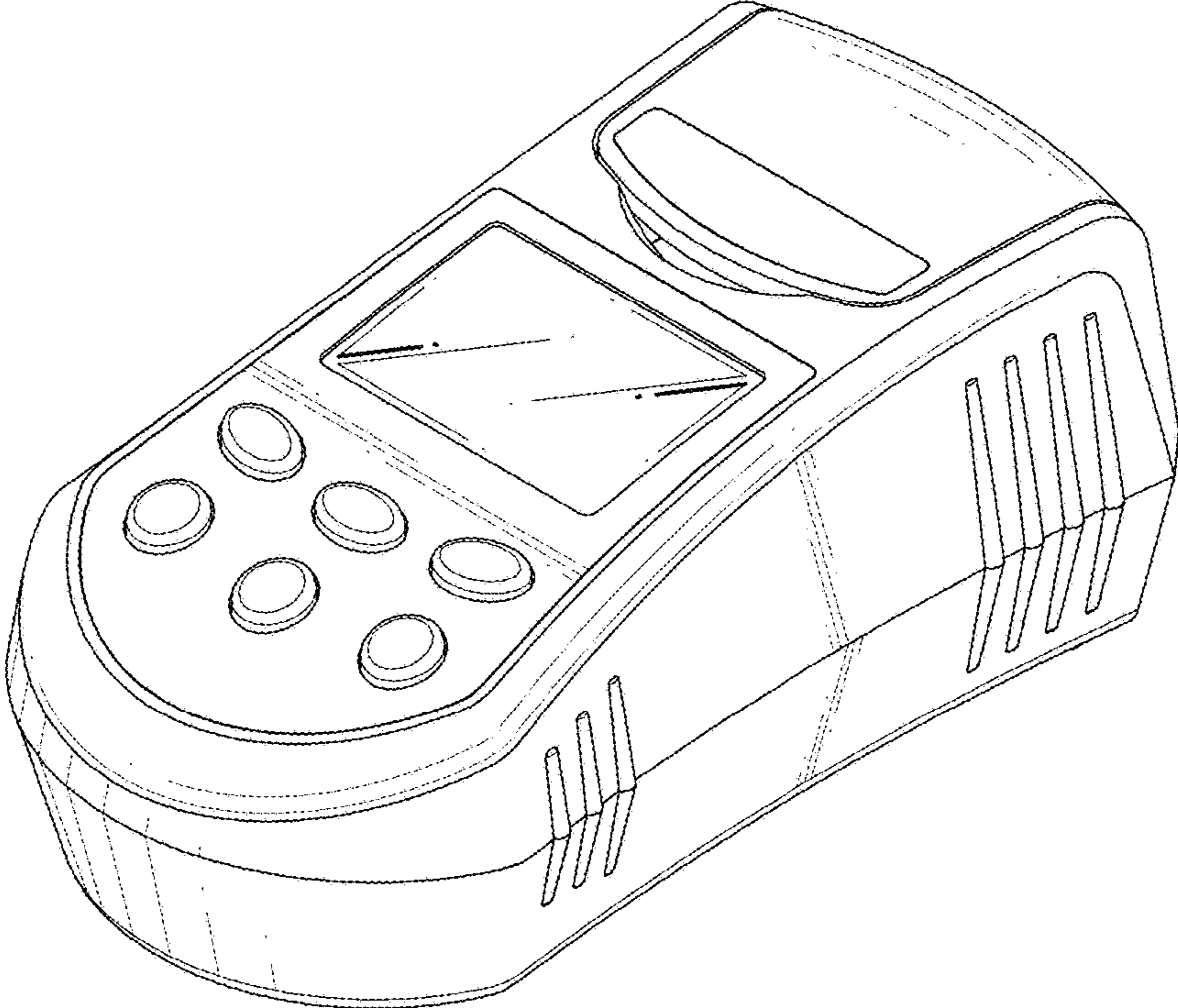


FIG.1

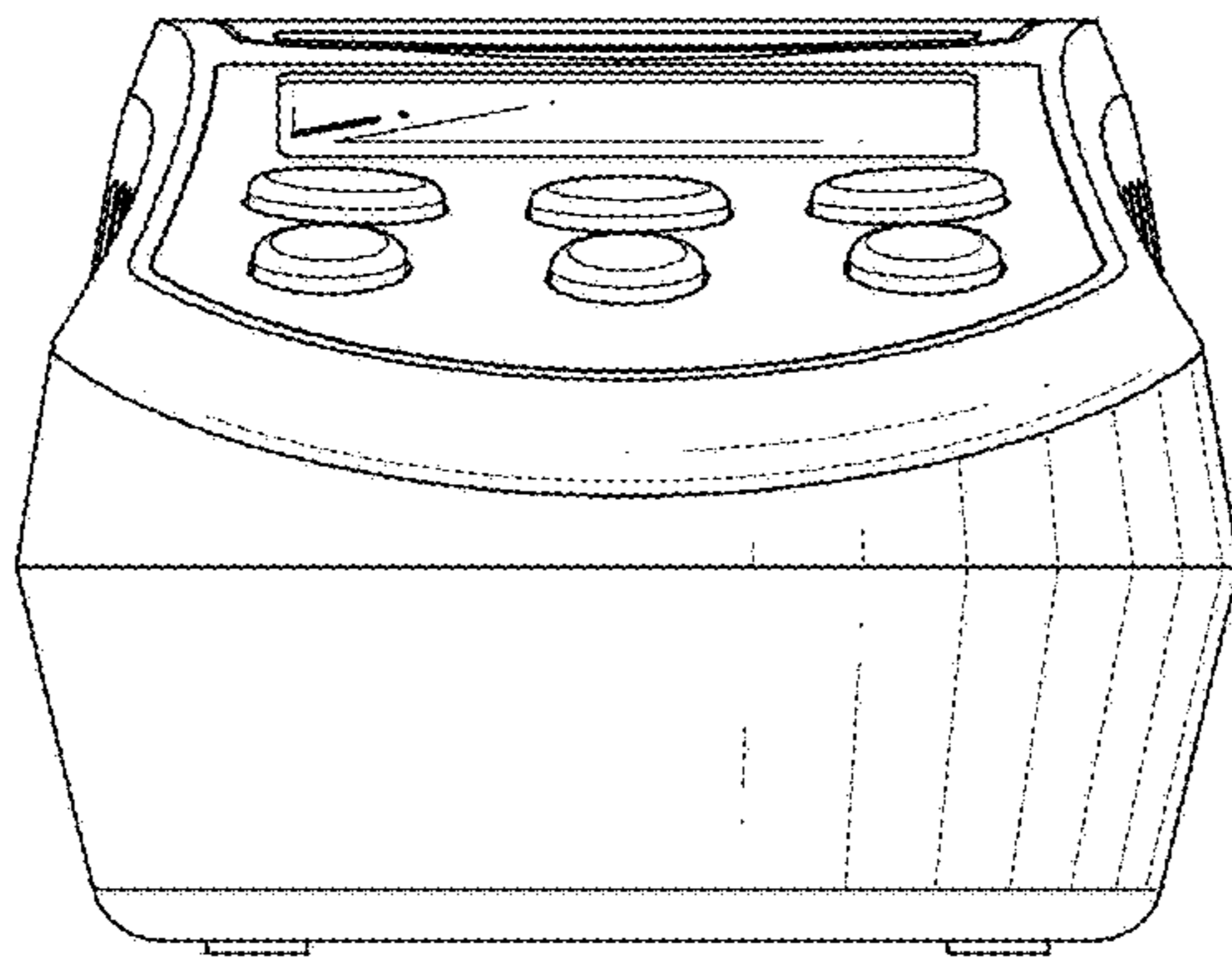


FIG.2

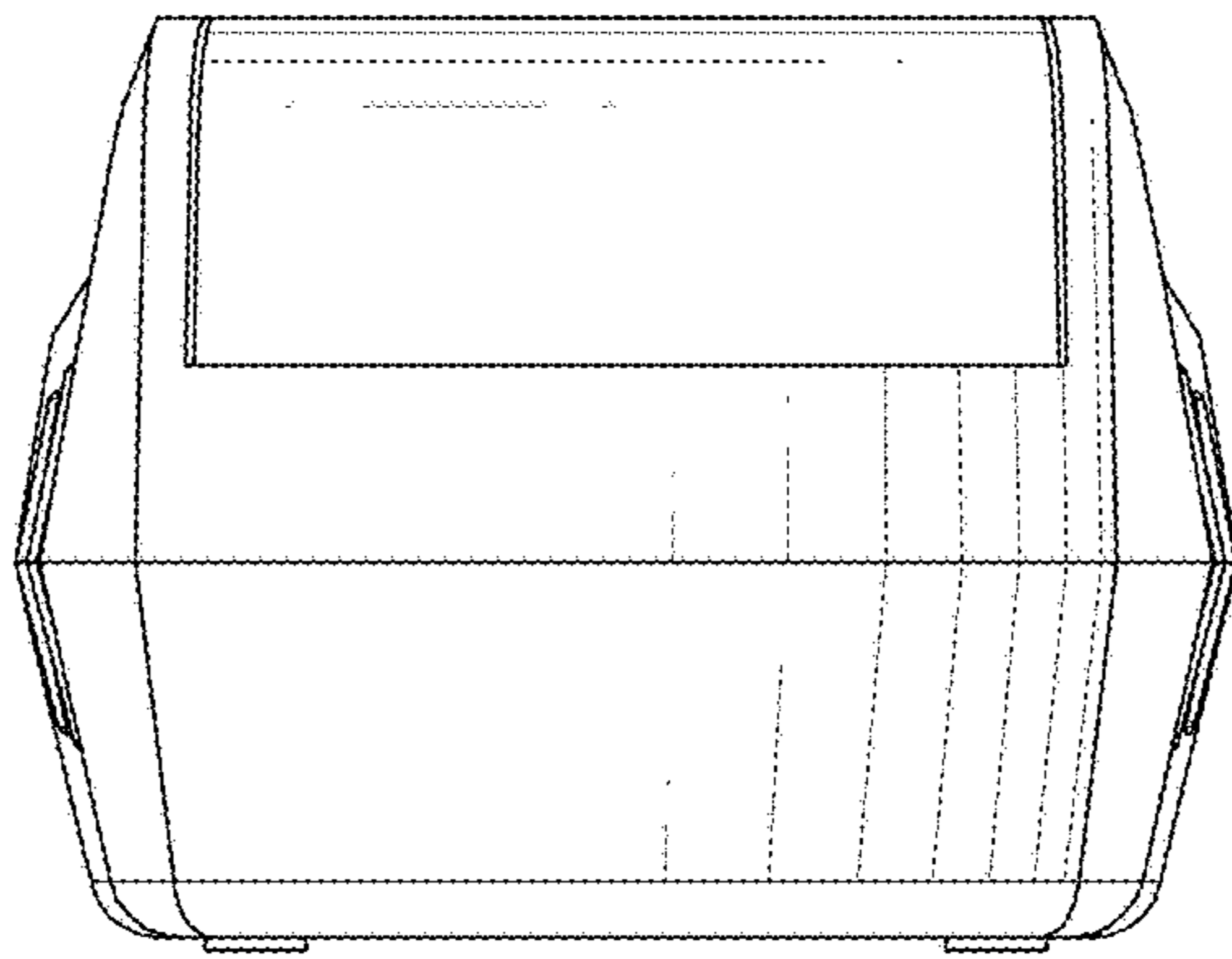


FIG.3

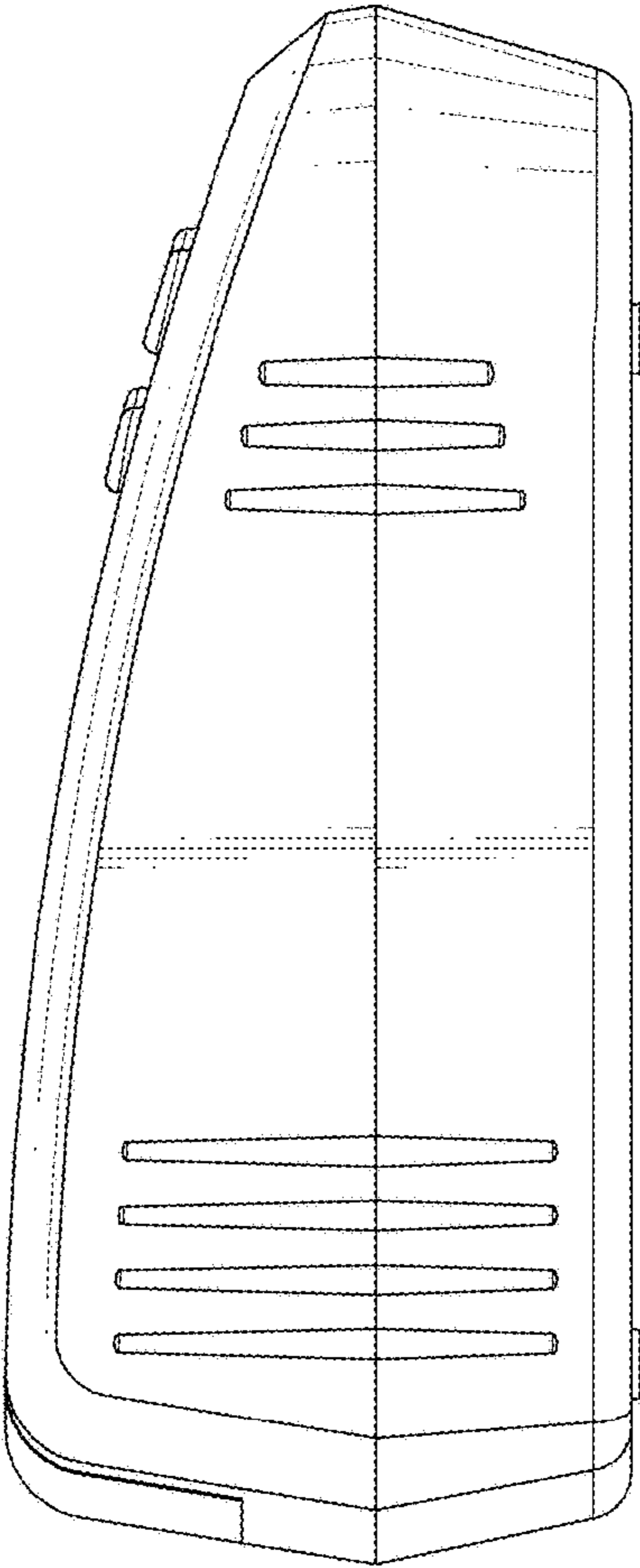


FIG.4

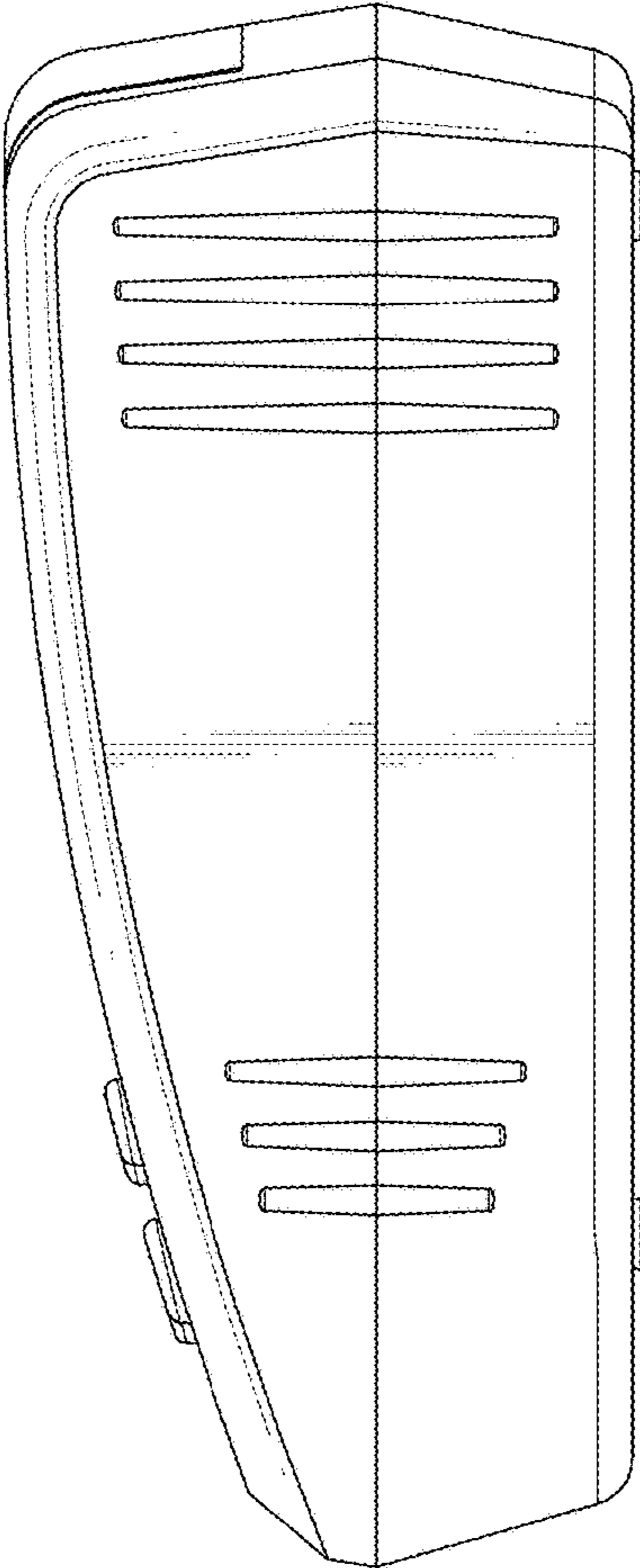


FIG.5

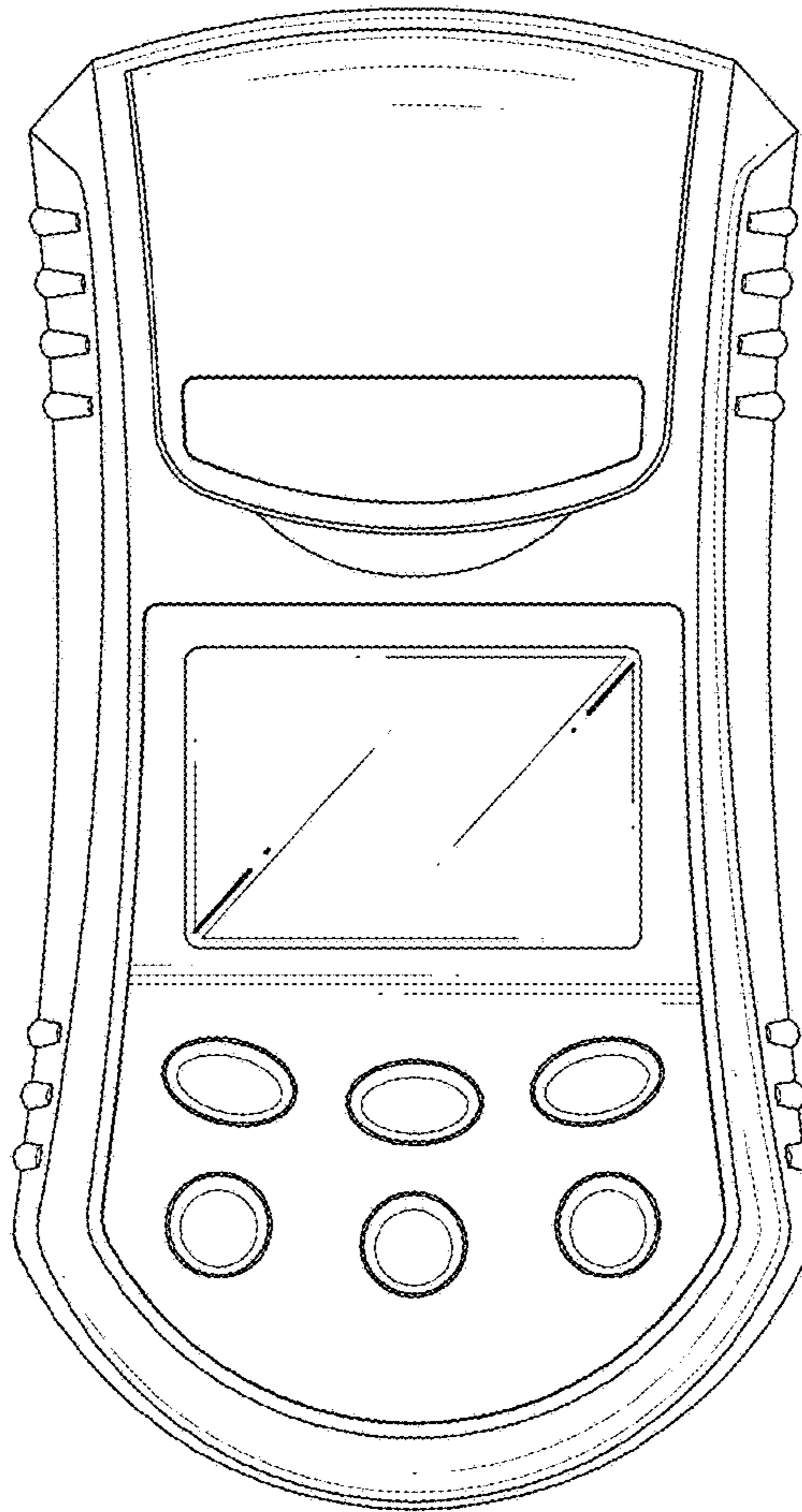


FIG.6

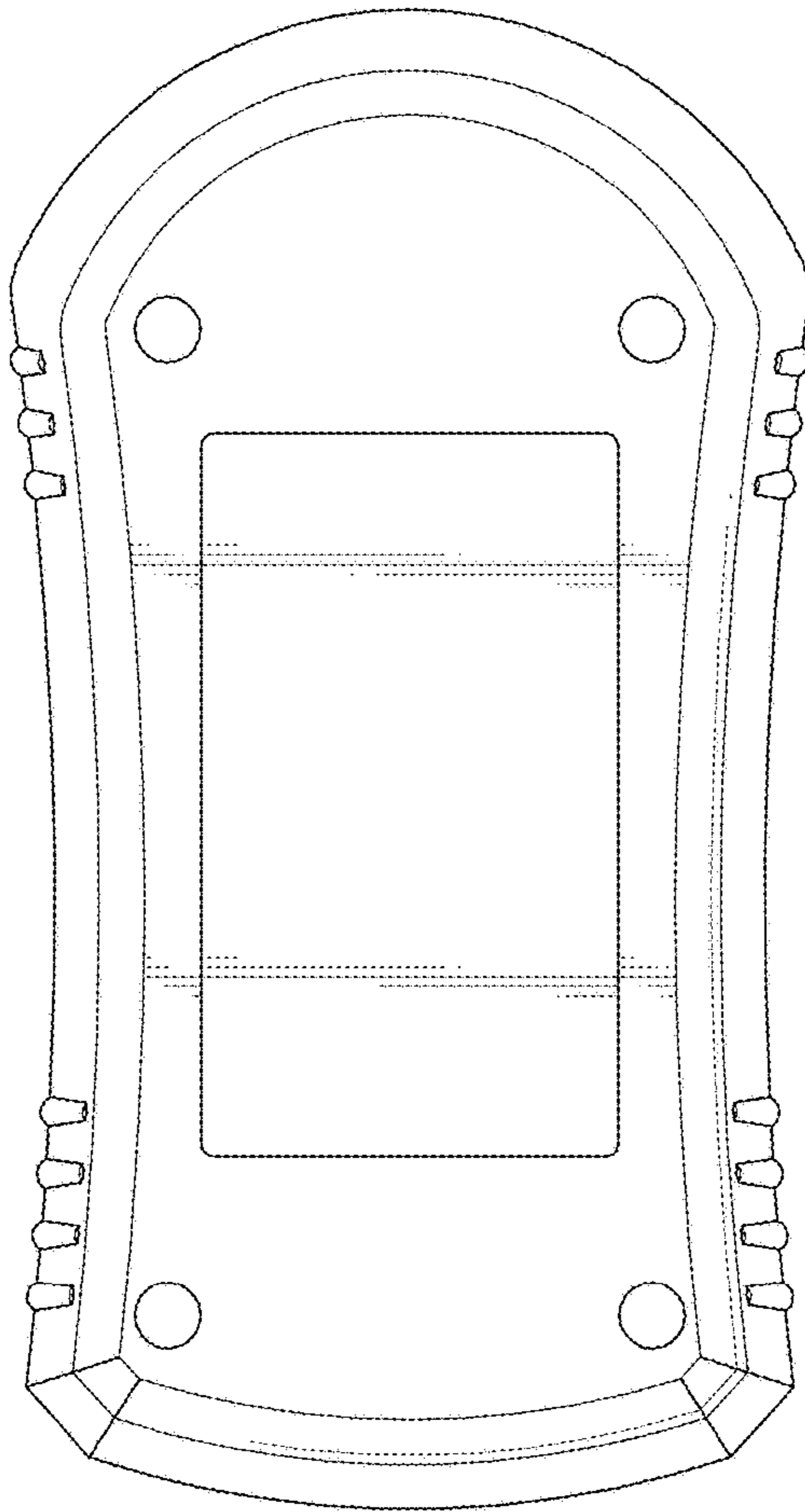


FIG. 7

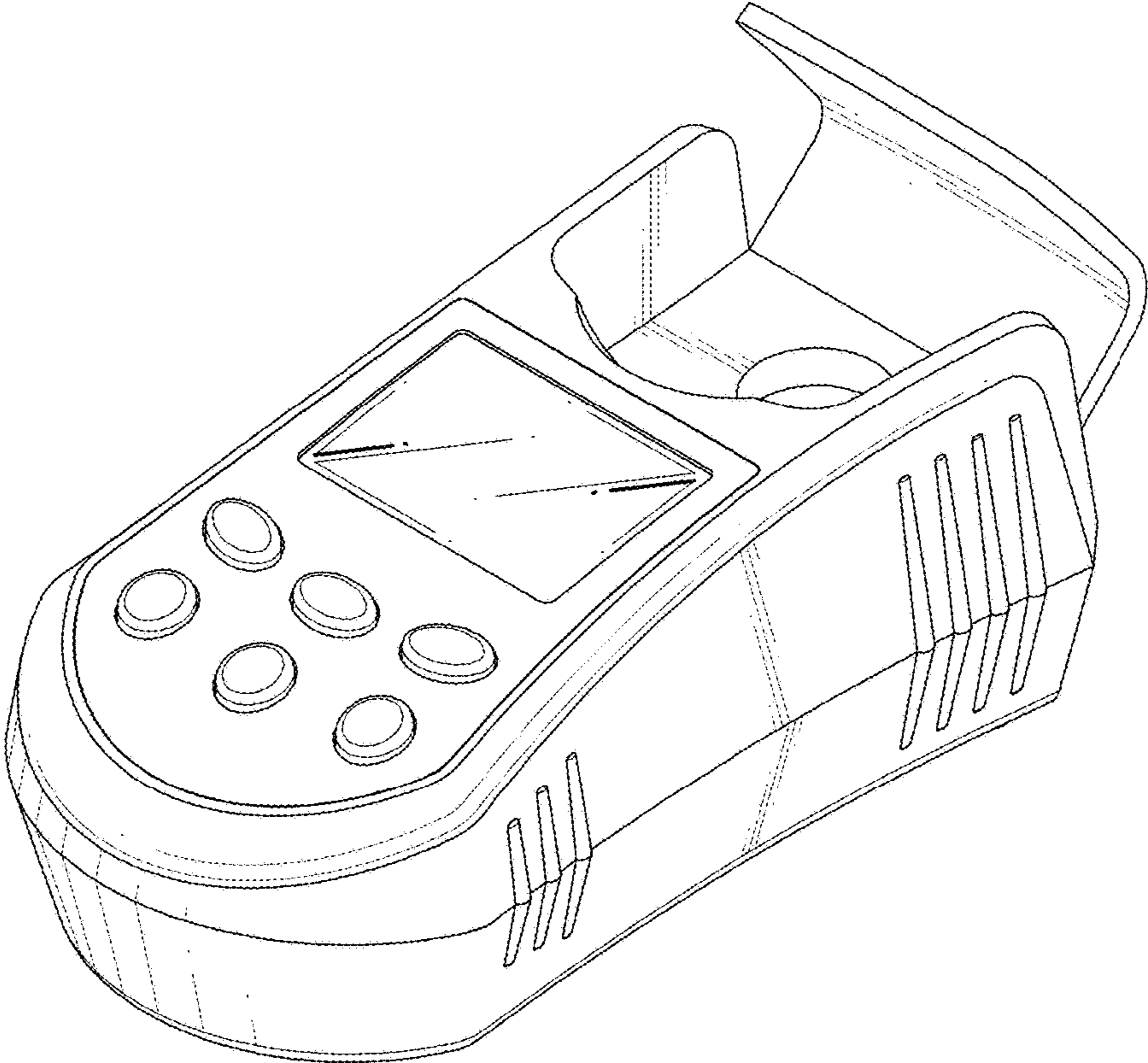


FIG.8