



US00D861522S

(12) **United States Design Patent** (10) **Patent No.:** **US D861,522 S**
Chen (45) **Date of Patent:** **** Oct. 1, 2019**

(54) **GRIP**

(71) Applicant: **Zircon Corporation**, Campbell, CA (US)

(72) Inventor: **Chien-Hsu Chen**, Millbrae, CA (US)

(73) Assignee: **Zircon Corporation**, Campbell, CA (US)

(**) Term: **15 Years**

(21) Appl. No.: **29/658,354**

(22) Filed: **Jul. 30, 2018**

(51) **LOC (12) Cl.** **10-04**

(52) **U.S. Cl.**
USPC **D10/80; D10/103**

(58) **Field of Classification Search**
USPC **D10/80, 103**
CPC **B25G 1/10; B25G 1/102; B25G 1/105;**
B25G 1/107; B25G 1/12; B25G 1/125
See application file for complete search history.

(56) **References Cited**

U.S. PATENT DOCUMENTS

D720,594 S * 1/2015 Henderson D8/107

* cited by examiner

Primary Examiner — Antoine Duval Davis

(74) *Attorney, Agent, or Firm* — Omair M. Farooqui, Esq.; Palo Alto Legal Group, P.C.

(57) **CLAIM**

The ornamental design for a grip, as described and shown.

DESCRIPTION

FIG. 1 is a perspective view of a grip according to a preferred embodiment of the present invention;

FIG. 2 is a top plan view thereof;

FIG. 3 is a bottom plan view thereof;

FIG. 4 is a right side plan view thereof;

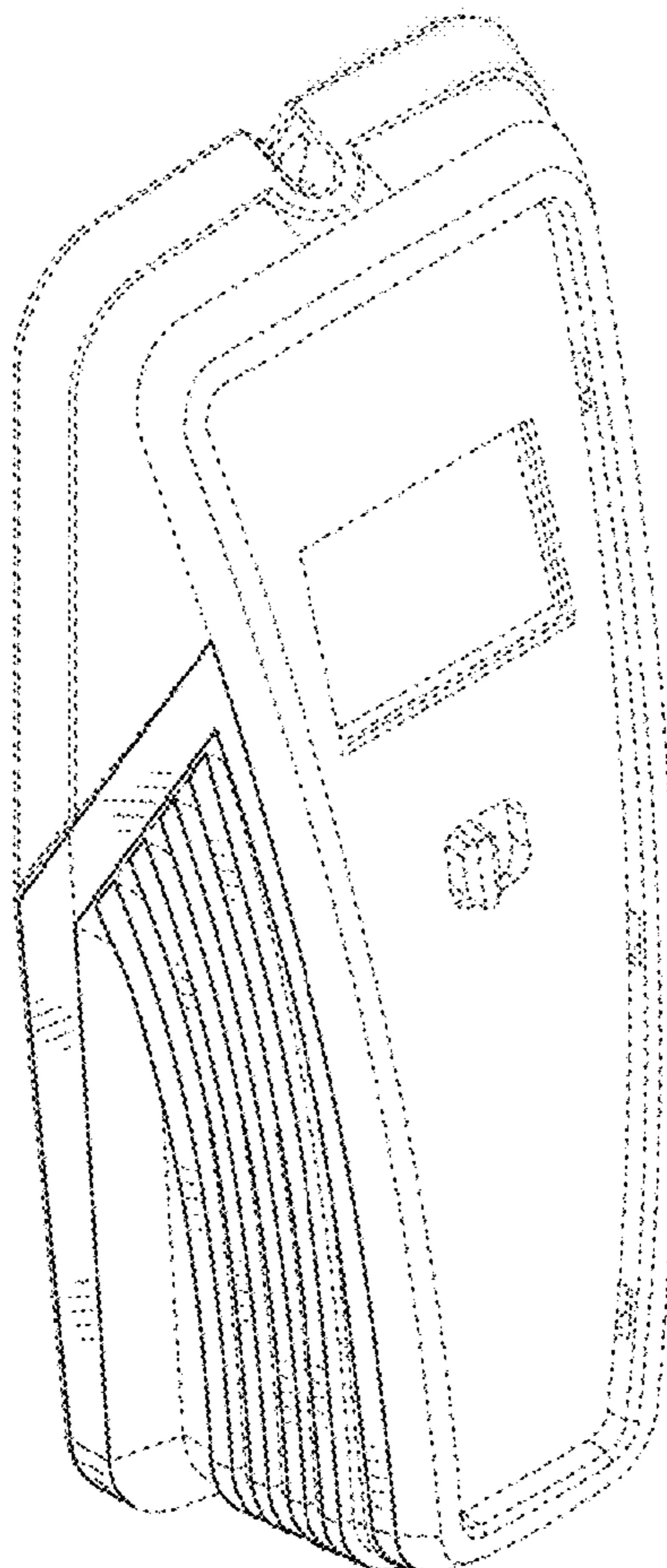
FIG. 5 is a left side plan view thereof;

FIG. 6 is a front elevational view thereof; and,

FIG. 7 is a rear elevational view thereof.

The broken lines shown in FIGS. 1-7 are environmental only and form no part of the claimed design.

1 Claim, 5 Drawing Sheets



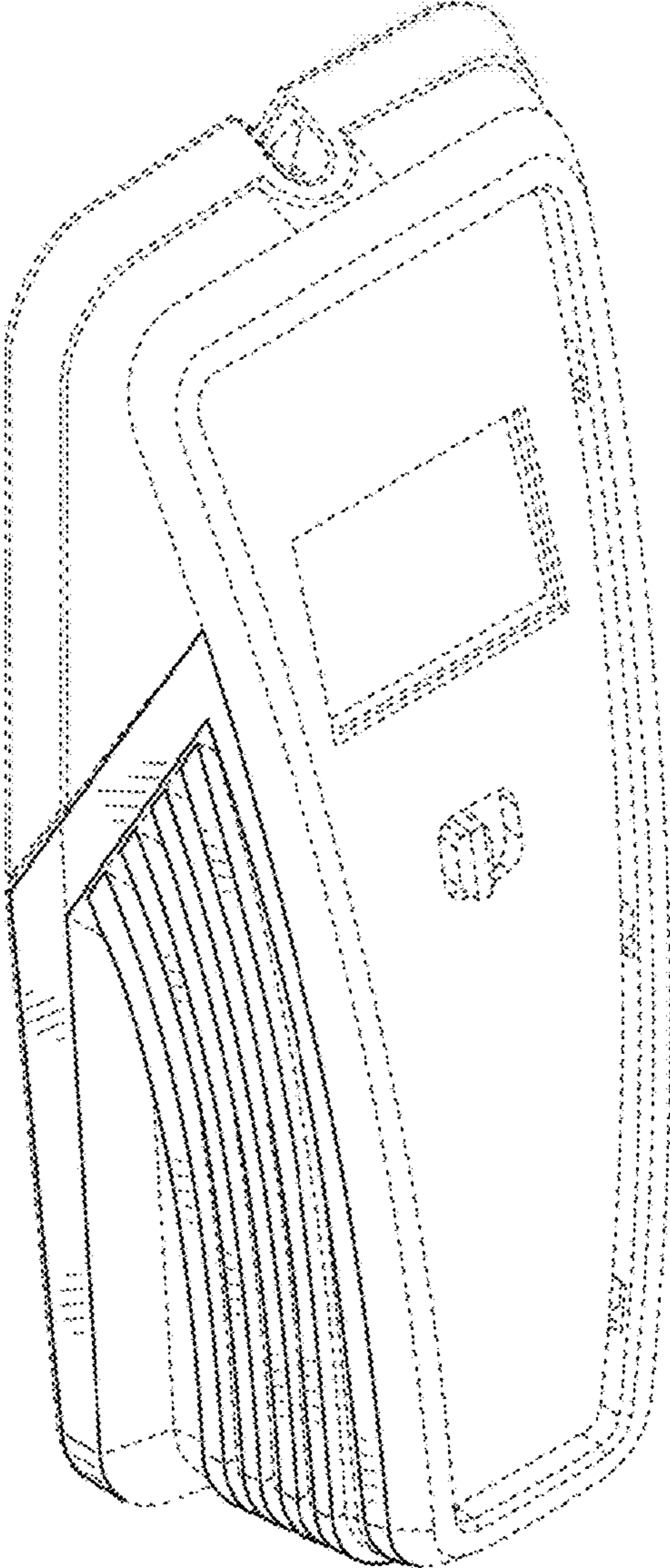


FIG. 1

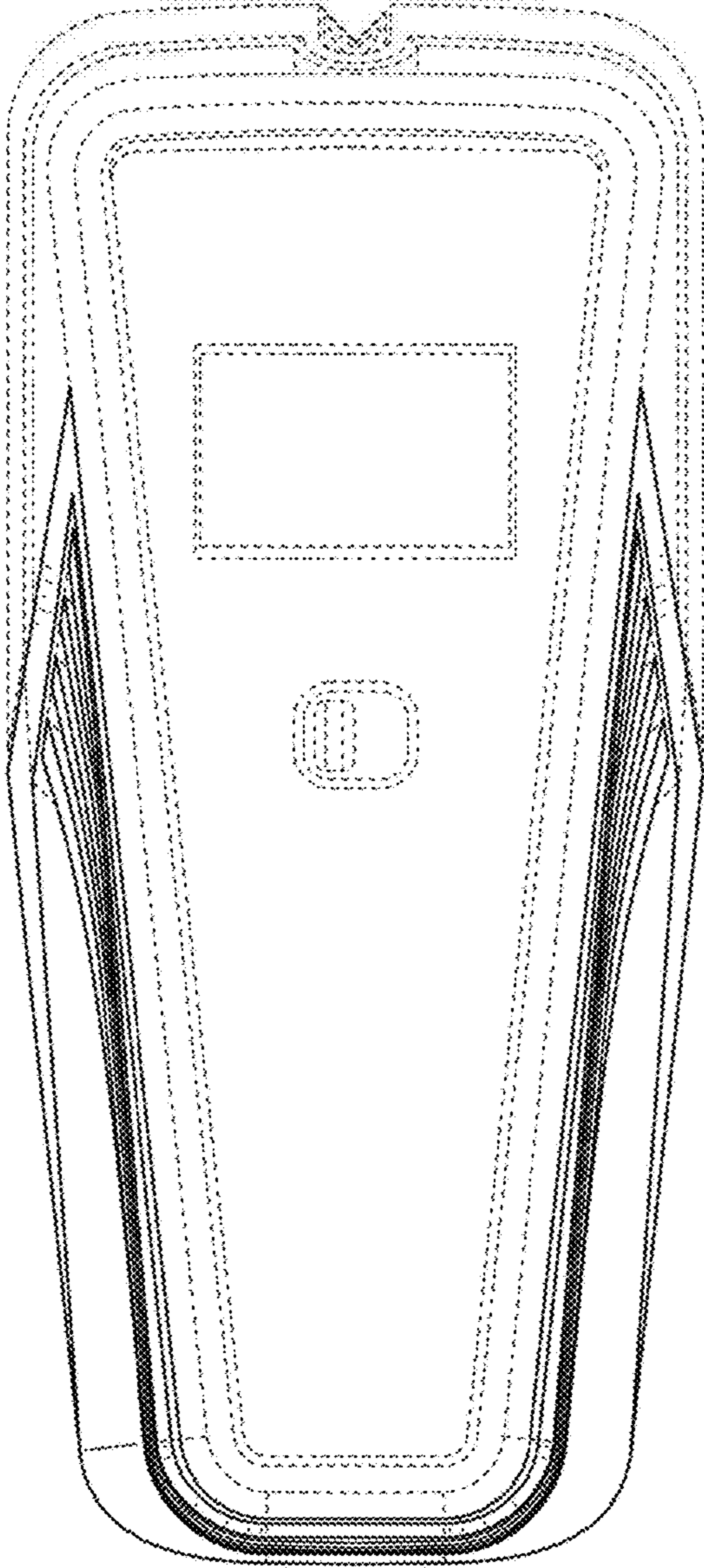


FIG. 2

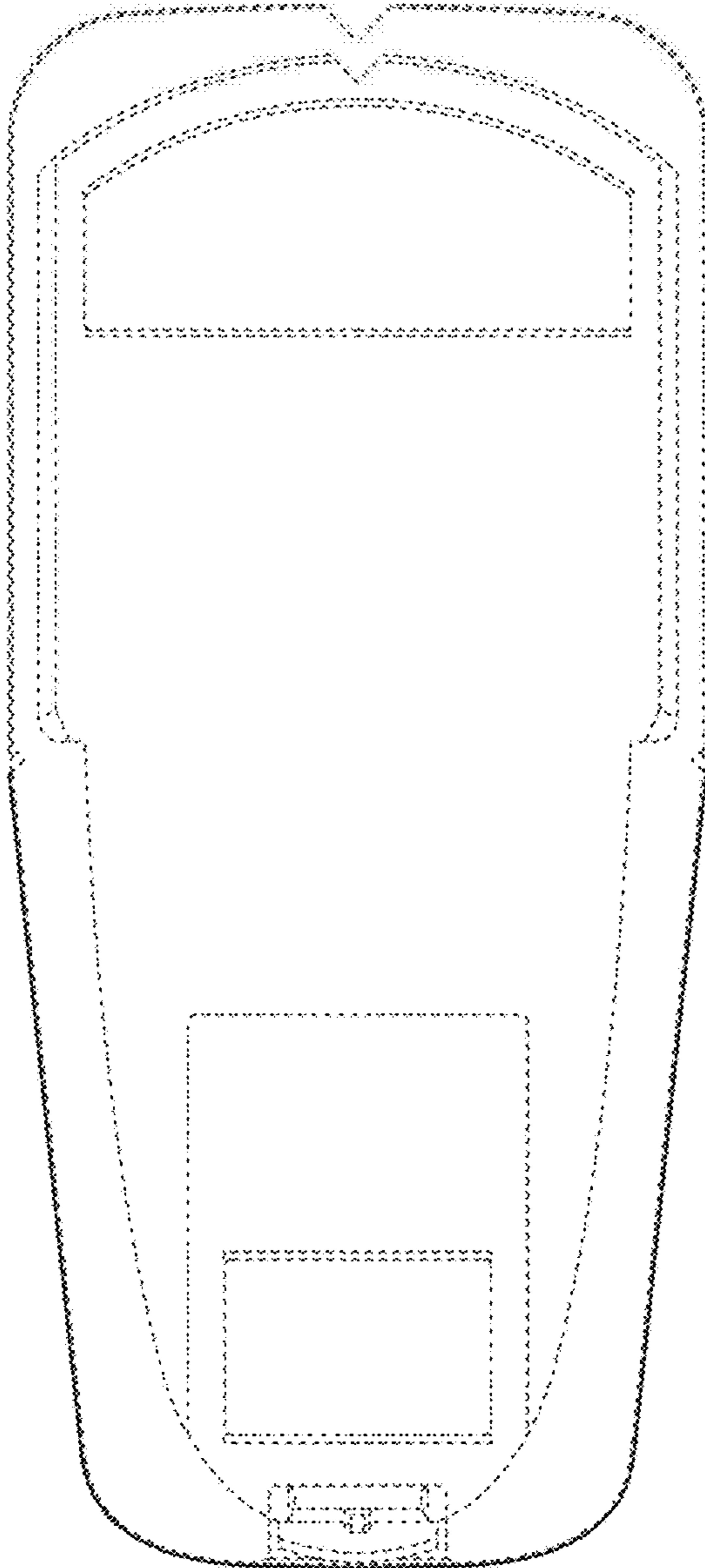


FIG. 3

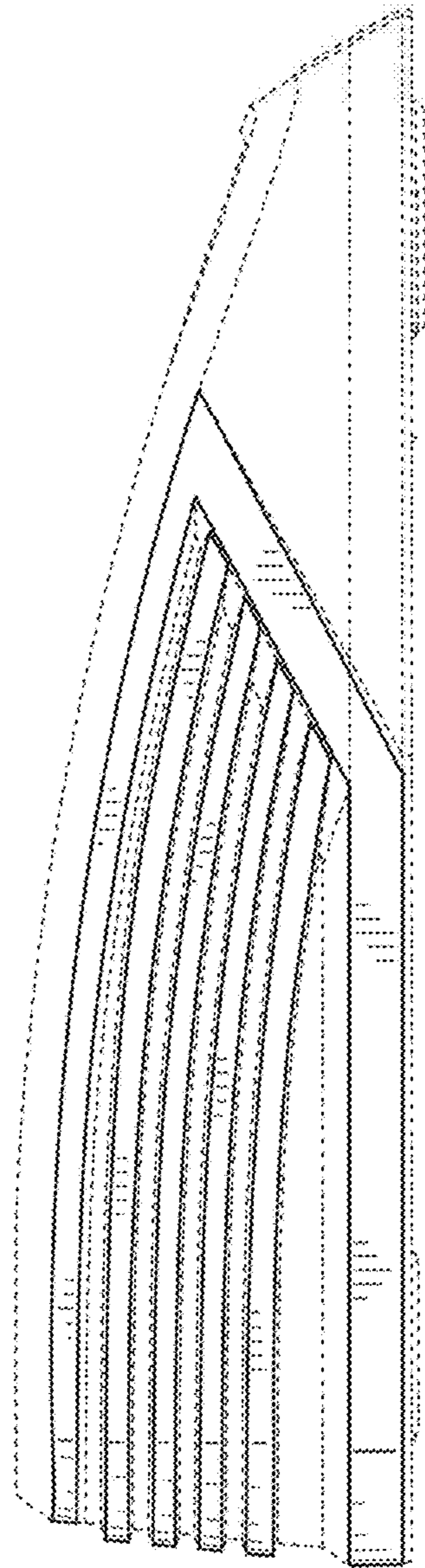


FIG. 4

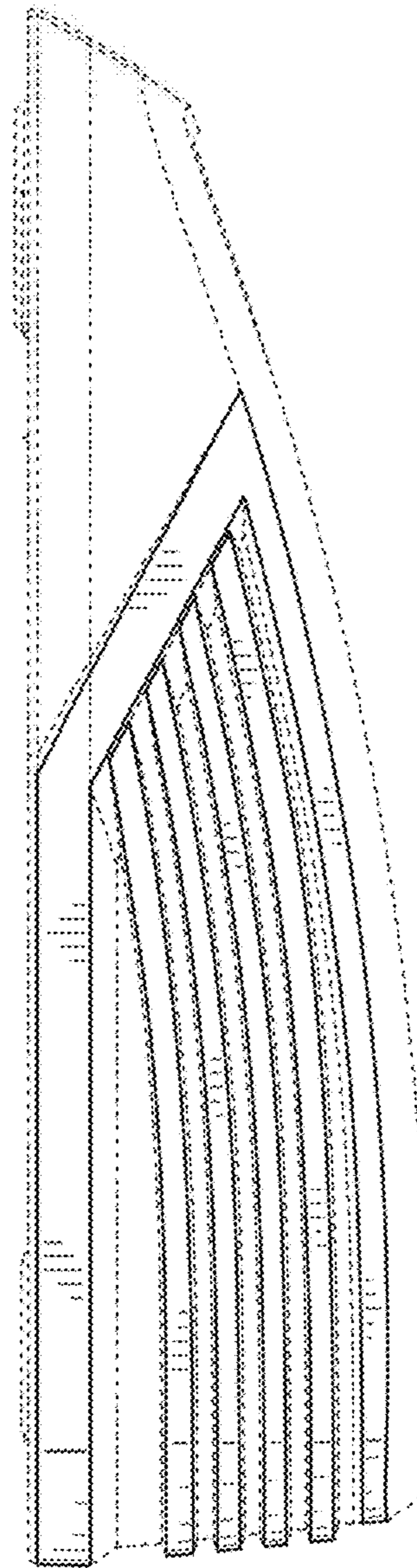


FIG. 5

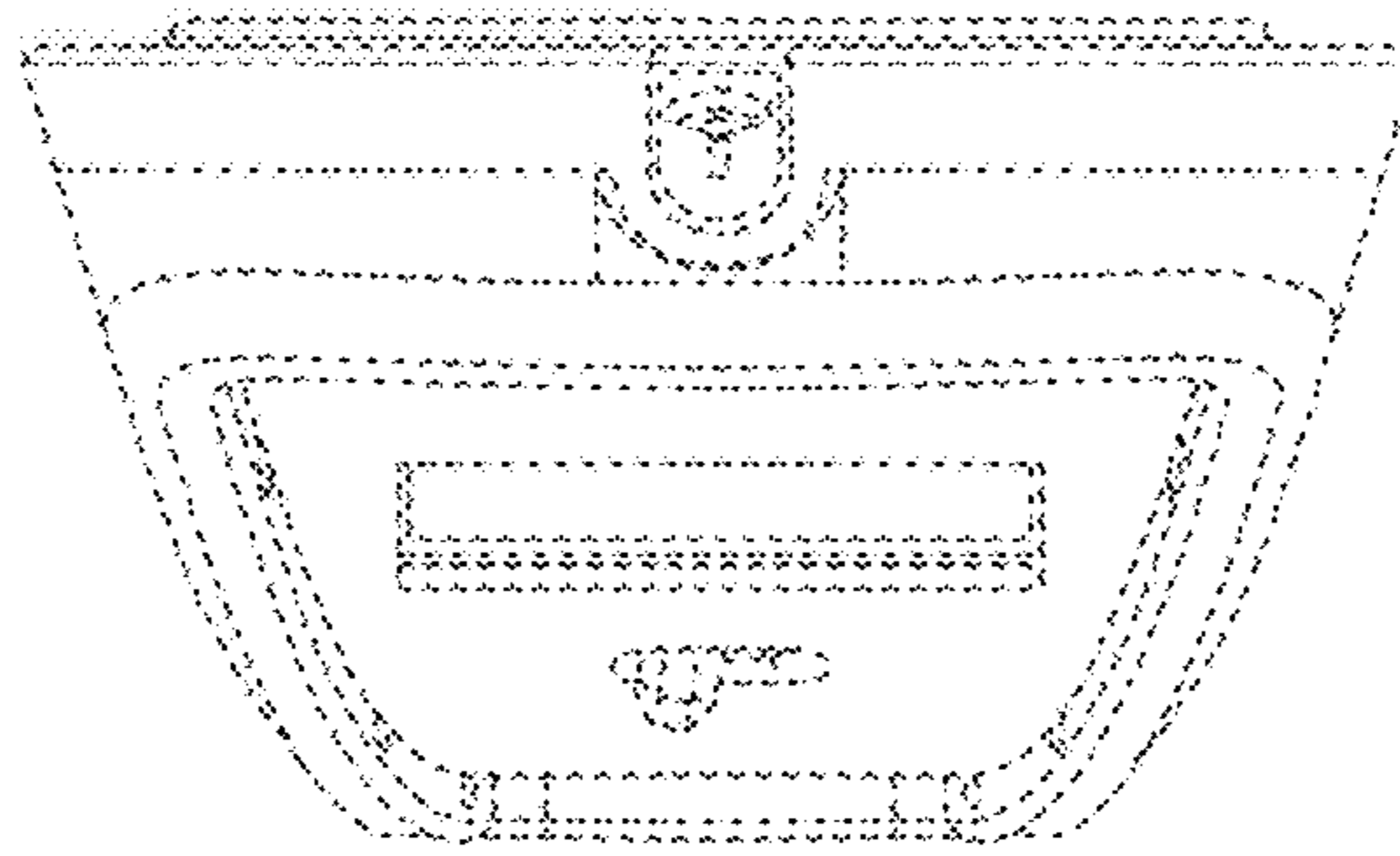


FIG. 6

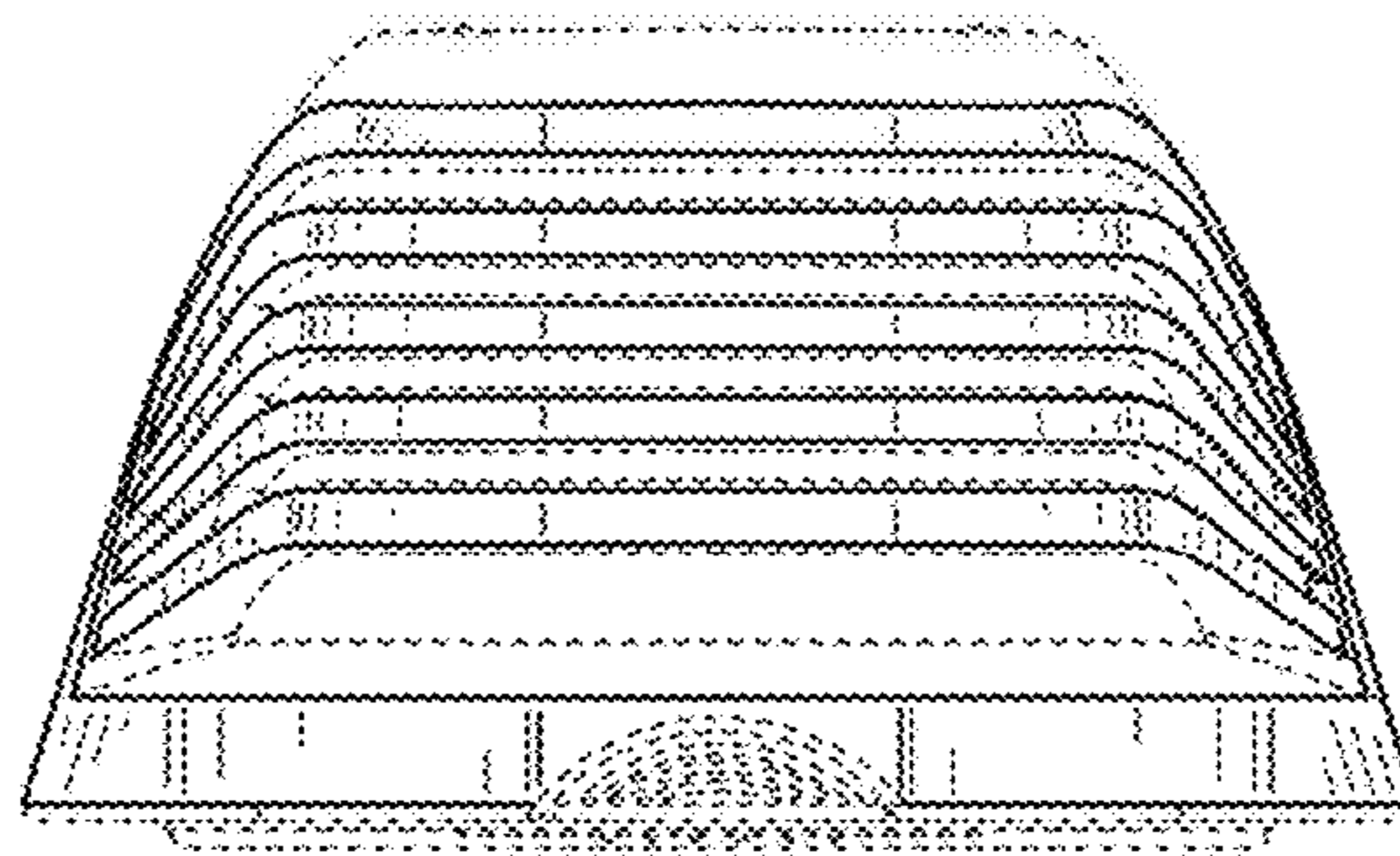


FIG. 7