



US00D861518S

(12) **United States Design Patent**
Yun

(10) **Patent No.:** **US D861,518 S**

(45) **Date of Patent:** **** Oct. 1, 2019**

- (54) **WIFI BORESCOPE INSPECTION CAMERA**
- (71) Applicant: **Shenzhen Deepsea Voyage Investment Co., Ltd.**, Shenzhen, Guangdong (CN)
- (72) Inventor: **Ronghai Yun**, Shenzhen (CN)
- (73) Assignee: **Shenzhen Deepsea Voyage Investment Co., Ltd.**, Shenzhen, Guangdong (CN)
- (**) Term: **15 Years**
- (21) Appl. No.: **29/602,057**
- (22) Filed: **Apr. 27, 2017**
- (51) **LOC (12) Cl.** **10-04**
- (52) **U.S. Cl.**
USPC **D10/78; D16/200**
- (58) **Field of Classification Search**
USPC D16/130, 134, 136, 200, 202–205, 218, D16/219, 235, 242; D10/47, 57, 78; 348/373–376; 359/826–828; 396/529–532, 535, 539–541
CPC G03B 17/02; G03B 19/04; G03B 17/56; G03B 17/04; G03B 15/03; G03B 17/14; H04N 5/2251; H04N 5/2252; H04N 5/2253; H04N 5/2254; G02B 7/02; G02B 7/04; G02B 7/14
See application file for complete search history.

- 8,911,361 B2 * 12/2014 Hosaka G02B 23/2476 600/131
- 9,451,215 B2 * 9/2016 Doi H04N 7/18
- D788,201 S * 5/2017 Pilz D10/46
- D788,831 S * 6/2017 Pilz D10/46
- 9,736,342 B2 * 8/2017 Mueckl G02B 23/2476
- D811,459 S * 2/2018 Fang D16/130

* cited by examiner

Primary Examiner — Ramzi S Almatrahi

(74) *Attorney, Agent, or Firm* — Raymond Y. Chan; David and Raymond Patent Firm

(57) **CLAIM**

The ornamental design for a Wifi borescope inspection camera, as shown and described.

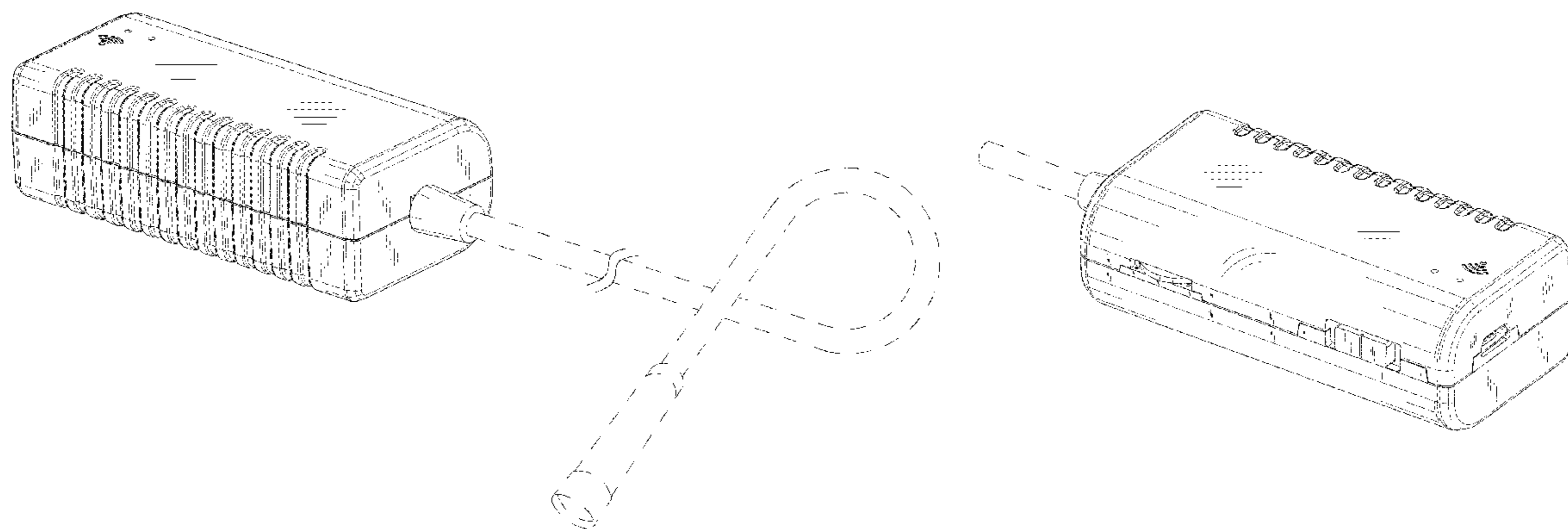
DESCRIPTION

FIG. 1 is a front perspective view of a Wifi borescope inspection camera showing my new design;
 FIG. 2 is a front view of the Wifi borescope inspection camera;
 FIG. 3 is a rear view of the Wifi borescope inspection camera;
 FIG. 4 is a right view of the Wifi borescope inspection camera;
 FIG. 5 is a left view of the Wifi borescope inspection camera;
 FIG. 6 is a top view of the Wifi borescope inspection camera;
 FIG. 7 is a bottom view of the Wifi borescope inspection camera; and,
 FIG. 8 is a rear perspective view of the Wifi borescope inspection camera.

The broken lines depict portions of the Wifi borescope inspection camera in which the design is embodied that form no part of the claimed design. Additionally, the separations on the cable in FIG. 1 indicate break lines for indeterminate length. Any portion of the article between the break lines form no part of the claimed design.

1 Claim, 8 Drawing Sheets

- (56) **References Cited**
U.S. PATENT DOCUMENTS
D306,605 S * 3/1990 Manoy D16/130
D346,228 S * 4/1994 Harley D26/24
D436,118 S * 1/2001 London D16/130
6,598,433 B1 * 7/2003 Malvasio E05B 73/00 70/18
7,584,534 B2 * 9/2009 Pease A61B 1/00052 29/592.1
7,902,990 B2 * 3/2011 Delmonico H02J 7/0047 340/539.11



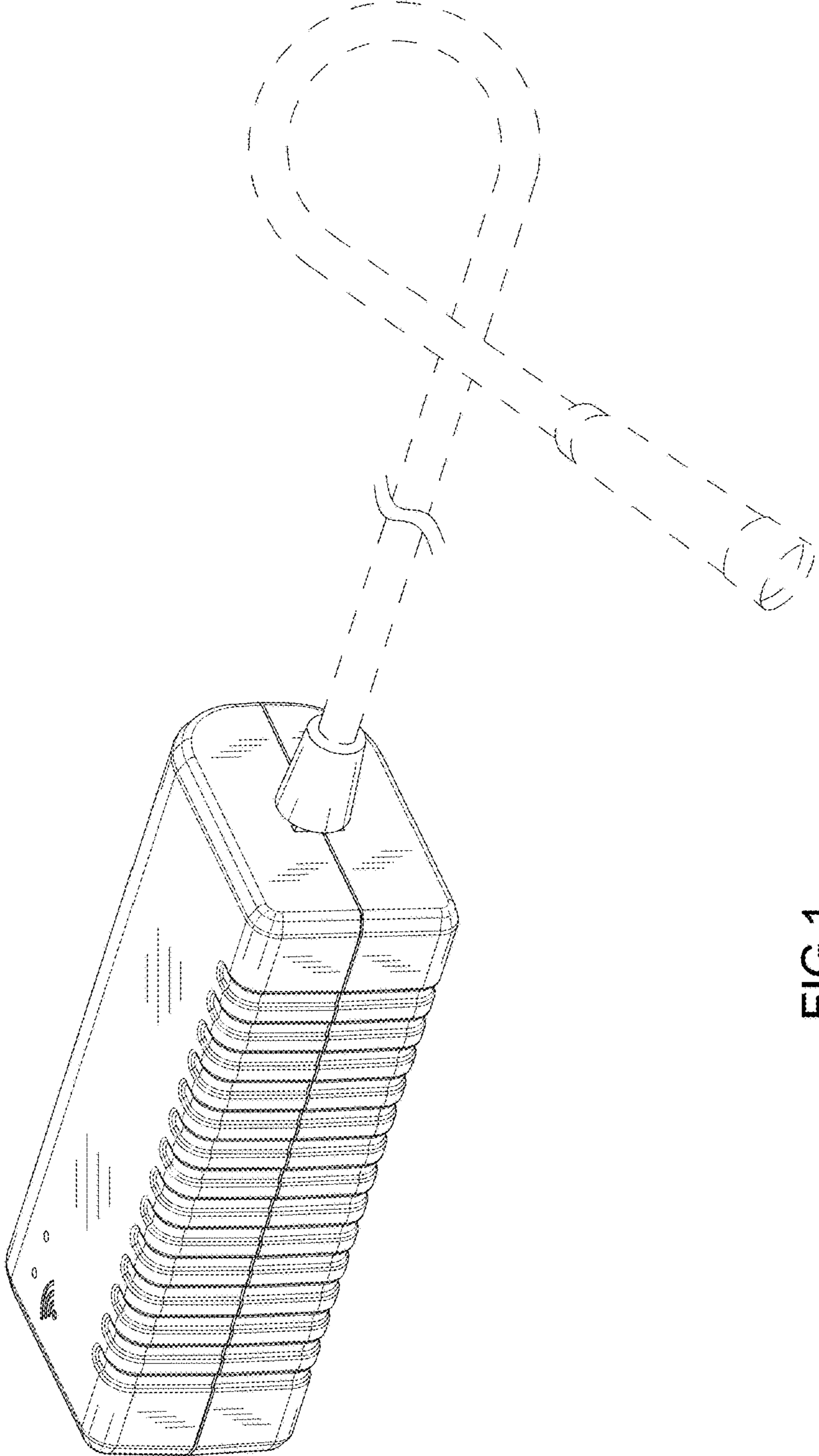


FIG.1

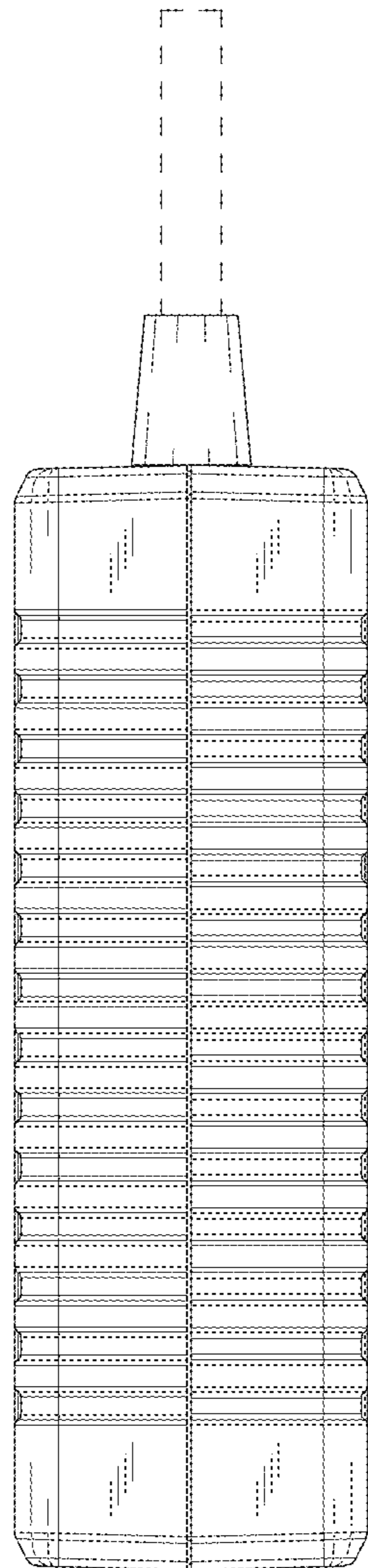


FIG.2

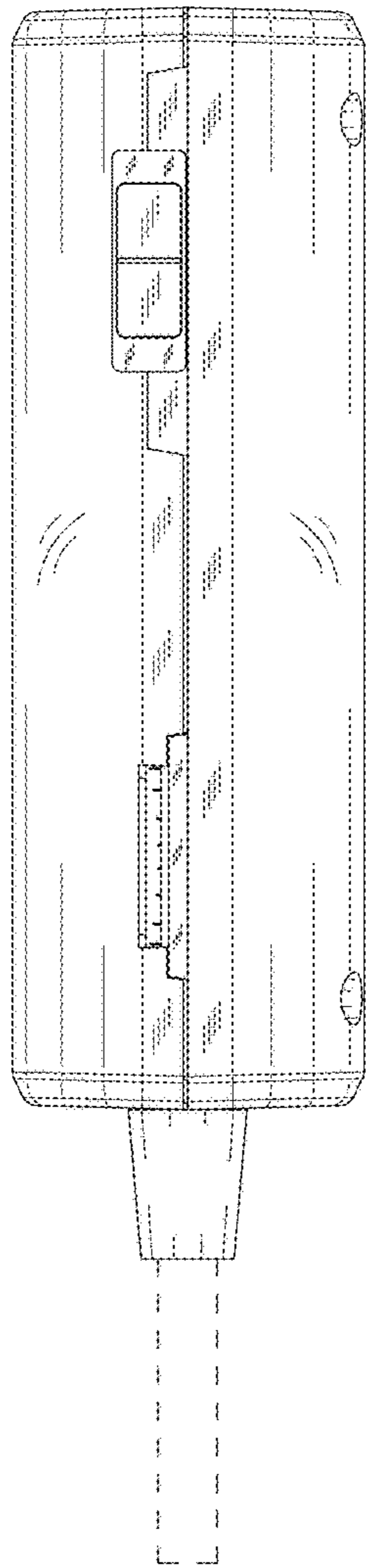


FIG.3

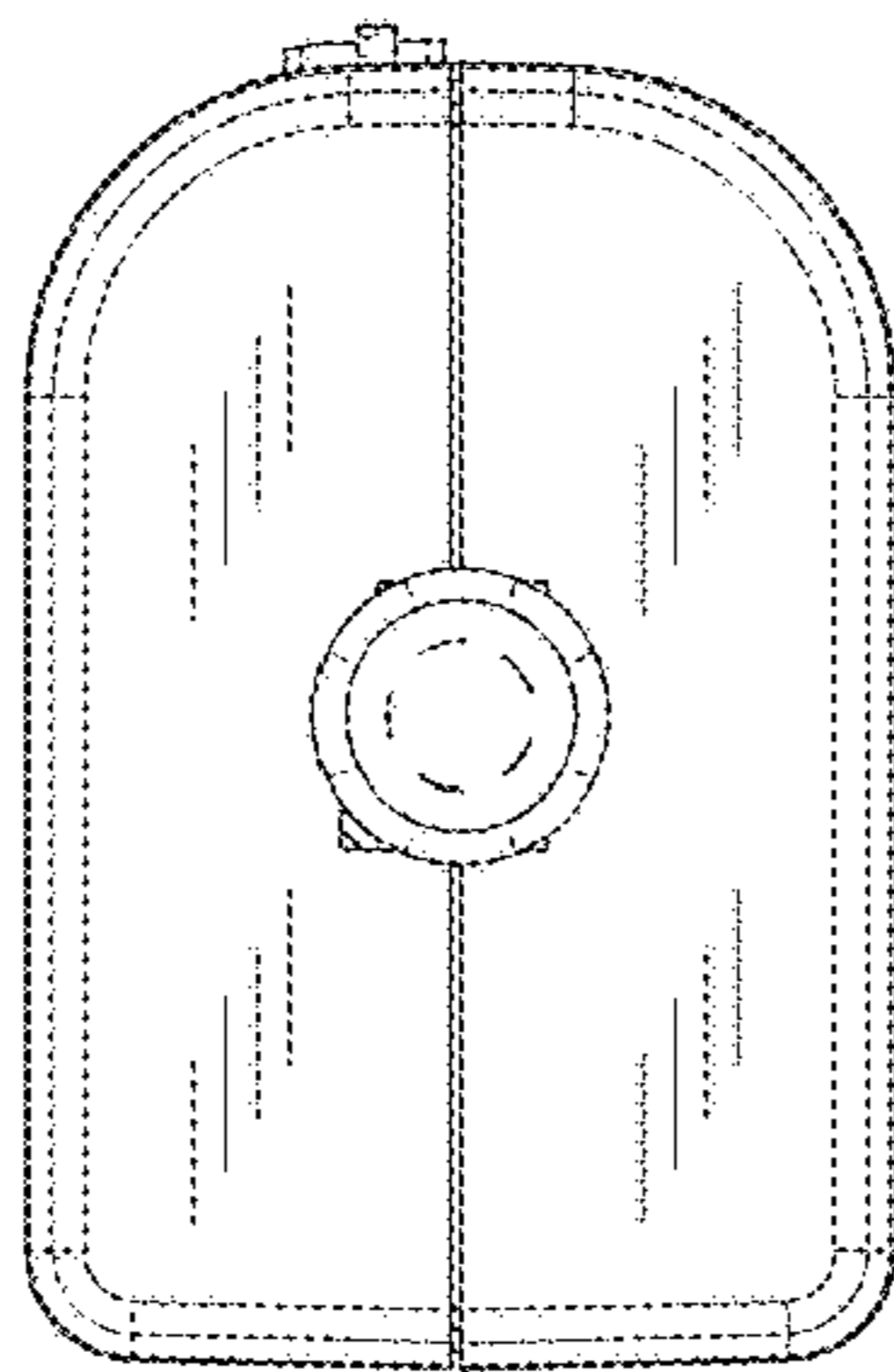


FIG.4

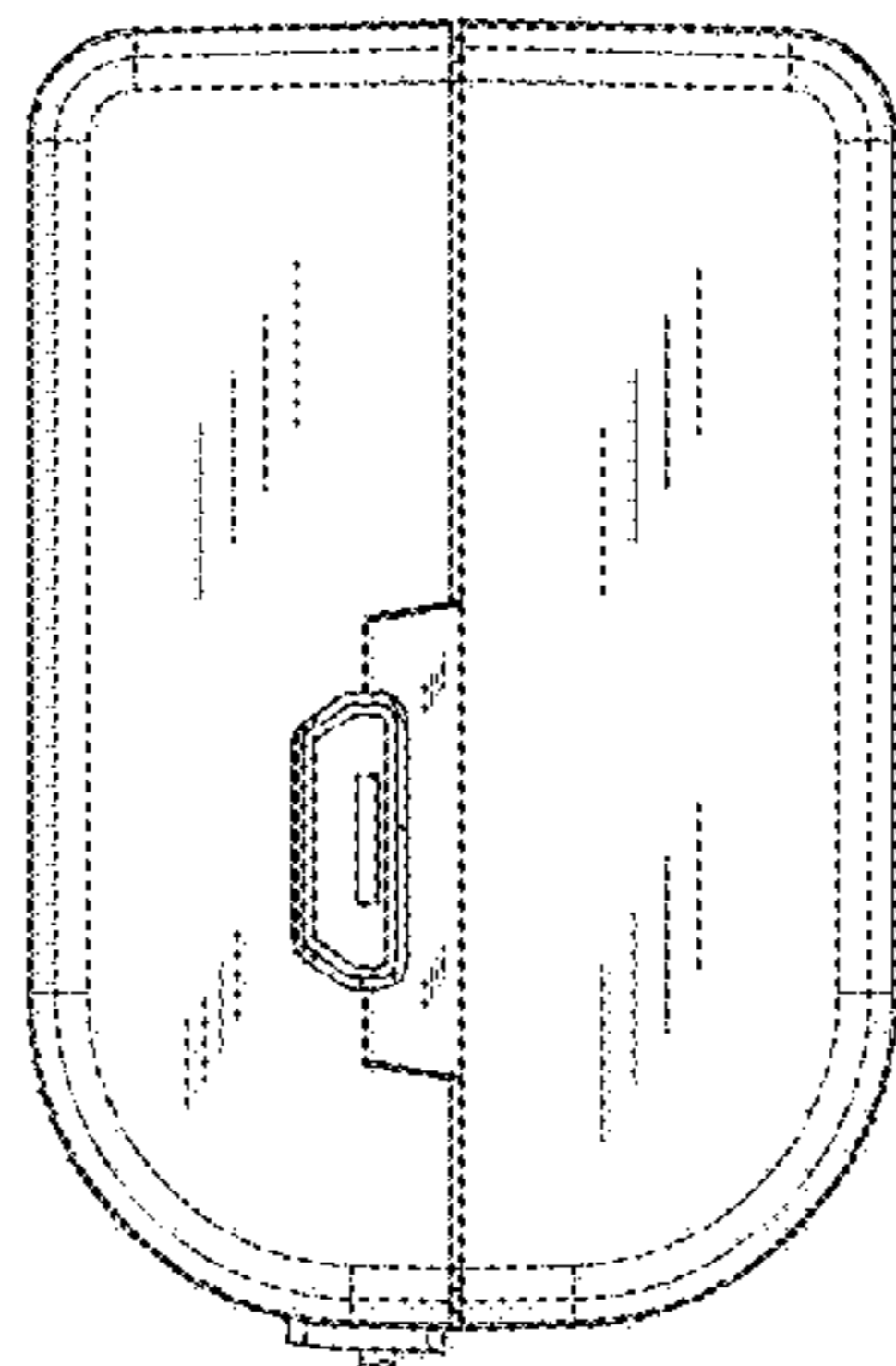


FIG. 5

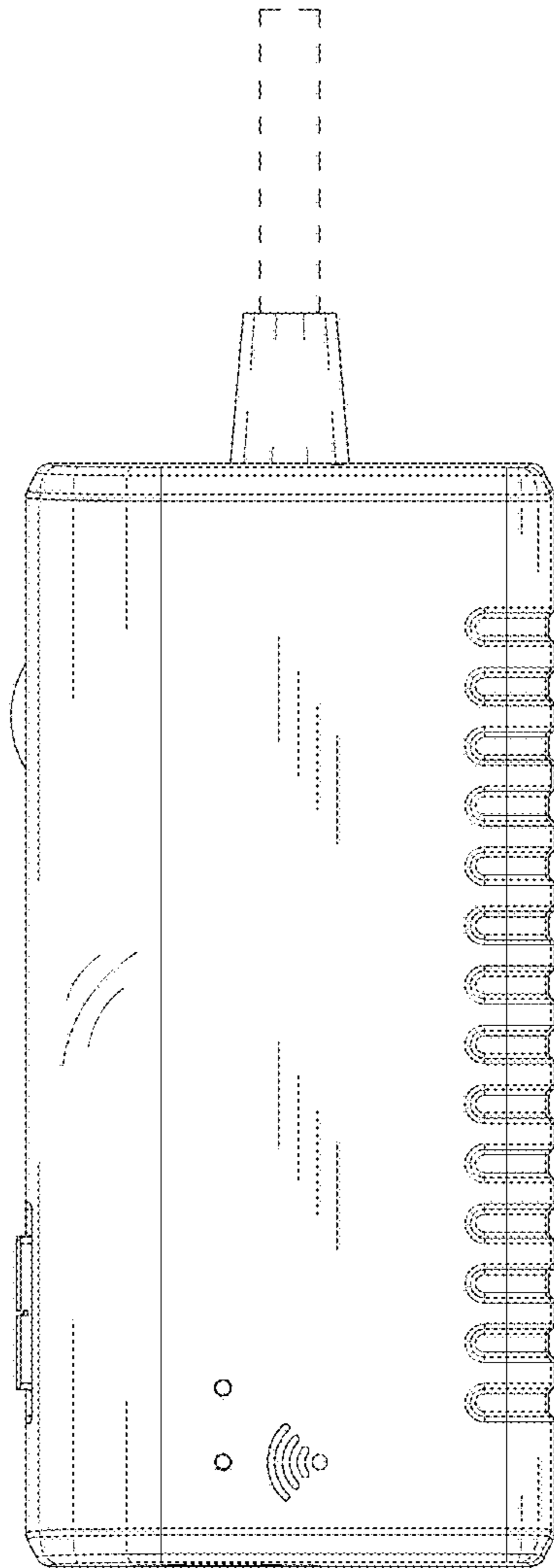


FIG.6

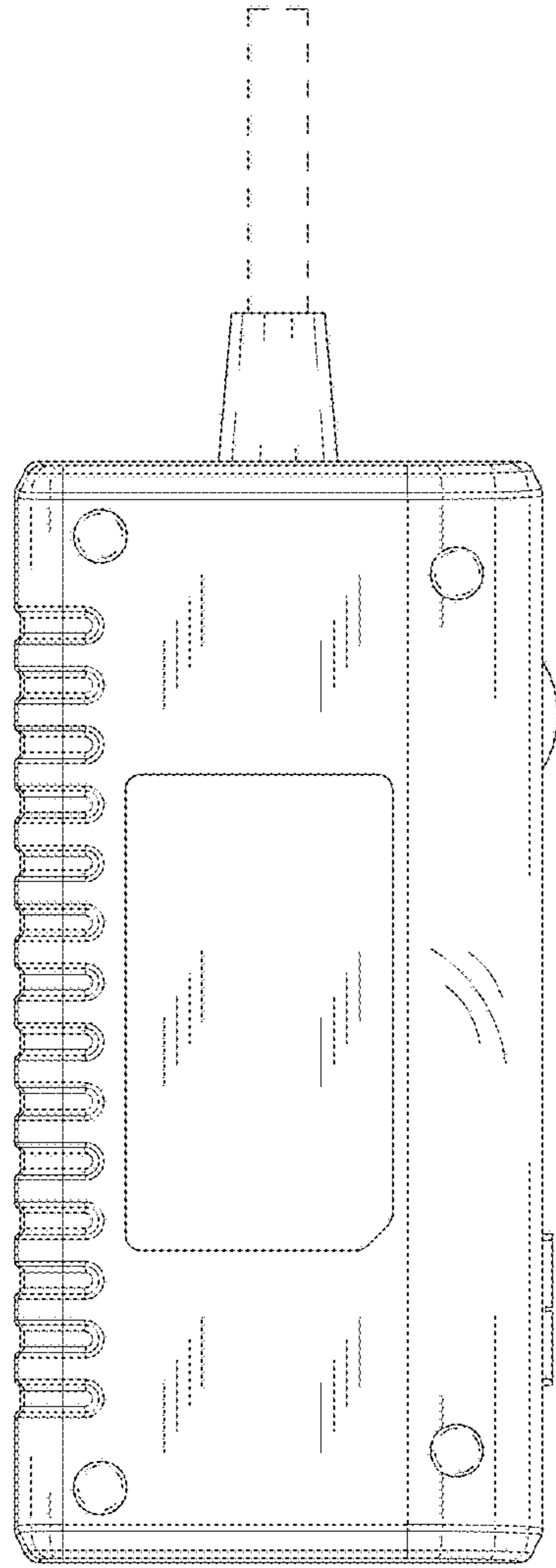


FIG. 7

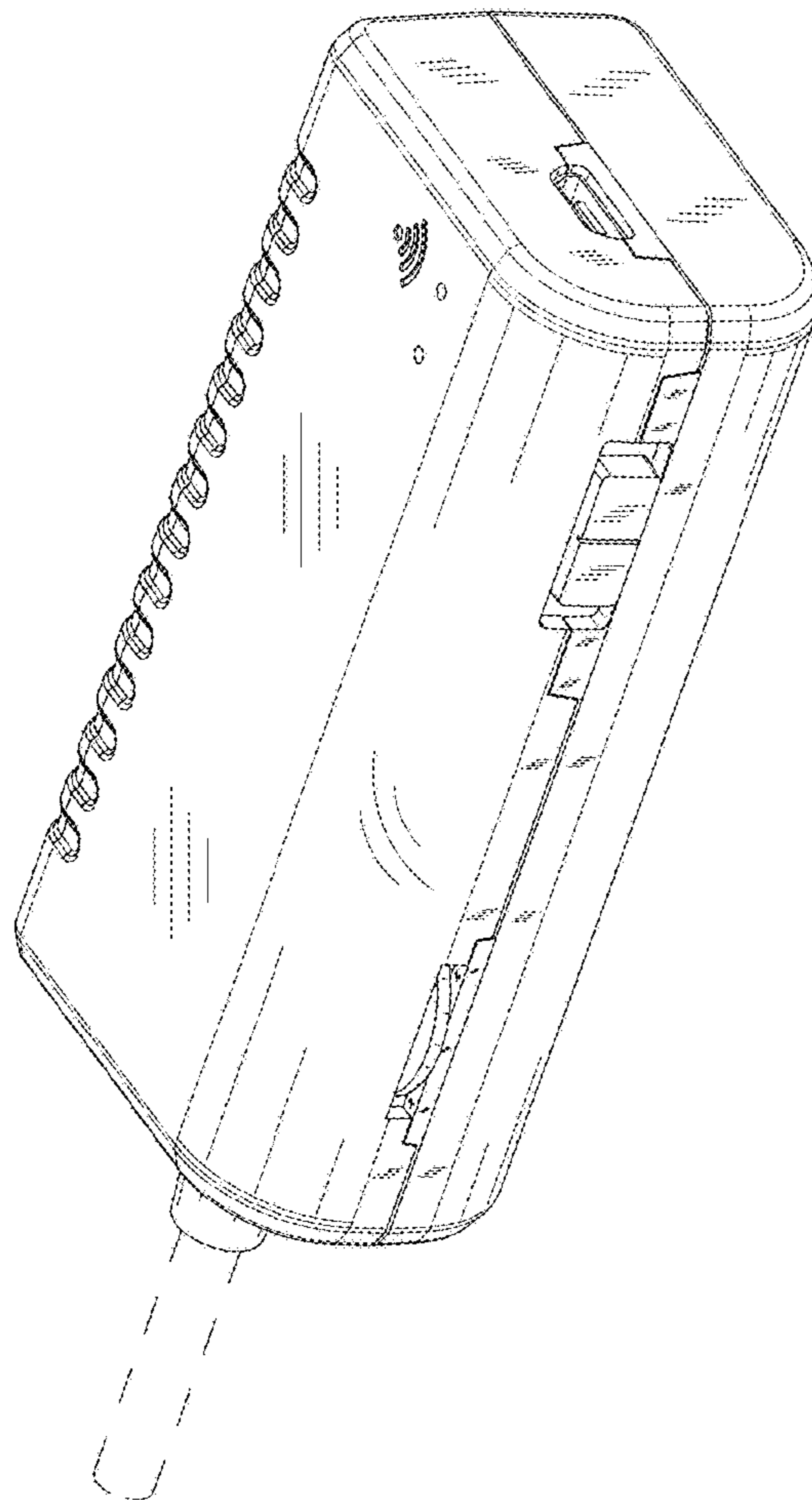


FIG.8