



US00D861516S

(12) **United States Design Patent** (10) **Patent No.:** **US D861,516 S**  
**Rao** (45) **Date of Patent:** **\*\* Oct. 1, 2019**

(54) **RANGEFINDER**  
(71) Applicant: **Shenzhen Global Egrow E-Commerce Co., LTD**, Shenzhen (CN)  
(72) Inventor: **Zhiwen Rao**, Jiangxi (CN)  
(73) Assignee: **Shenzhen Global Egrow E-Commerce Co., LTD**, Shenzhen (CN)  
(\*\*) Term: **15 Years**  
(21) Appl. No.: **29/656,344**

D574,276 S \* 8/2008 Burkandt ..... D10/70  
7,508,497 B2 \* 3/2009 LaBelle ..... G01C 3/08  
356/5.01  
D607,352 S \* 1/2010 Hackenberg ..... D10/70  
7,978,314 B2 \* 7/2011 Henschel ..... G01C 3/02  
356/4.01  
D670,582 S \* 11/2012 Matuschek ..... D10/70  
D673,062 S \* 12/2012 Marzynski ..... D10/70  
D692,329 S \* 10/2013 Burkandt ..... D10/70  
D692,330 S \* 10/2013 Burkandt ..... D10/70  
D797,583 S \* 9/2017 Chou ..... D10/70  
D799,349 S \* 10/2017 Mathier ..... D10/70  
D805,412 S \* 12/2017 Lu ..... D10/70  
D813,062 S \* 3/2018 He ..... D10/70  
9,971,034 B2 \* 5/2018 Gros ..... G01S 17/08

(22) Filed: **Jul. 11, 2018**  
(51) **LOC (12) Cl.** ..... **10-04**  
(52) **U.S. Cl.**  
USPC ..... **D10/70**  
(58) **Field of Classification Search**  
USPC ..... D10/70  
CPC ... G01C 3/00; G01C 3/02; G01C 3/04; G01C  
3/06; G01C 3/08; G01C 3/085; G01C  
3/10; G01C 3/12; G01C 3/16; G01C  
3/14; G01C 3/18; G01C 3/20; G01C  
3/22; G01C 3/24; G01C 3/26; G01C  
3/28; G01C 3/30; G01C 3/32; G01C  
15/006; G01S 7/4813; G02B 23/16;  
G02B 23/165

See application file for complete search history.

(56) **References Cited**  
U.S. PATENT DOCUMENTS  
D539,680 S \* 4/2007 Liu ..... D10/70  
7,221,435 B2 \* 5/2007 Stierle ..... G01C 3/08  
356/4.01

\* cited by examiner

*Primary Examiner* — Antoine Duval Davis  
(74) *Attorney, Agent, or Firm* — JCIPRNET

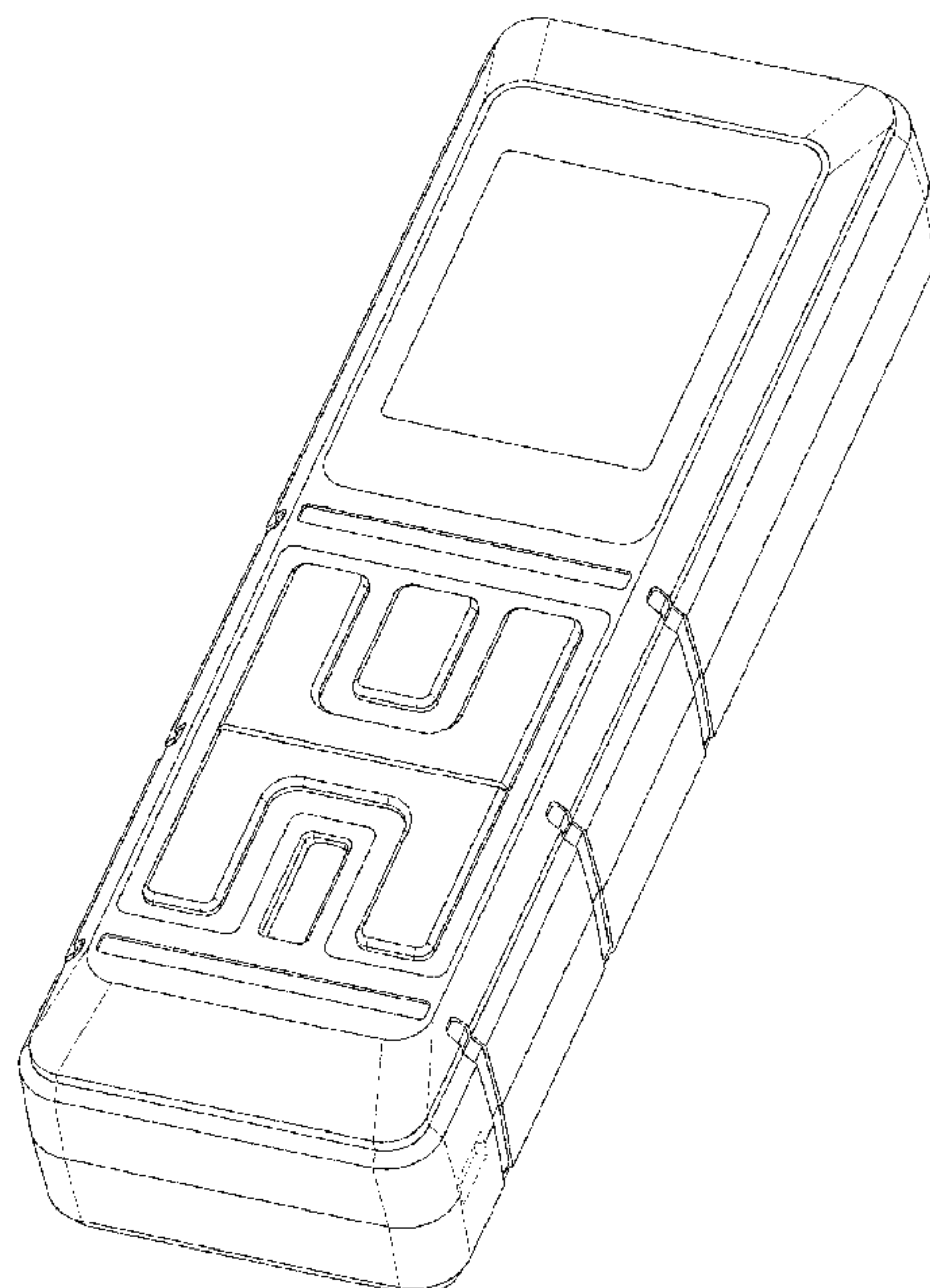
(57) **CLAIM**

The ornamental design for a rangefinder, as shown and described.

**DESCRIPTION**

FIG. 1 is a perspective view of a rangefinder showing my new design;  
FIG. 2 is a front view thereof;  
FIG. 3 is a rear view thereof;  
FIG. 4 is a left side view thereof;  
FIG. 5 is a right side view thereof;  
FIG. 6 is a top view thereof; and,  
FIG. 7 is a bottom view thereof.  
The broken lines illustrate portions of the rangefinder and form no part of the claimed design.

**1 Claim, 4 Drawing Sheets**



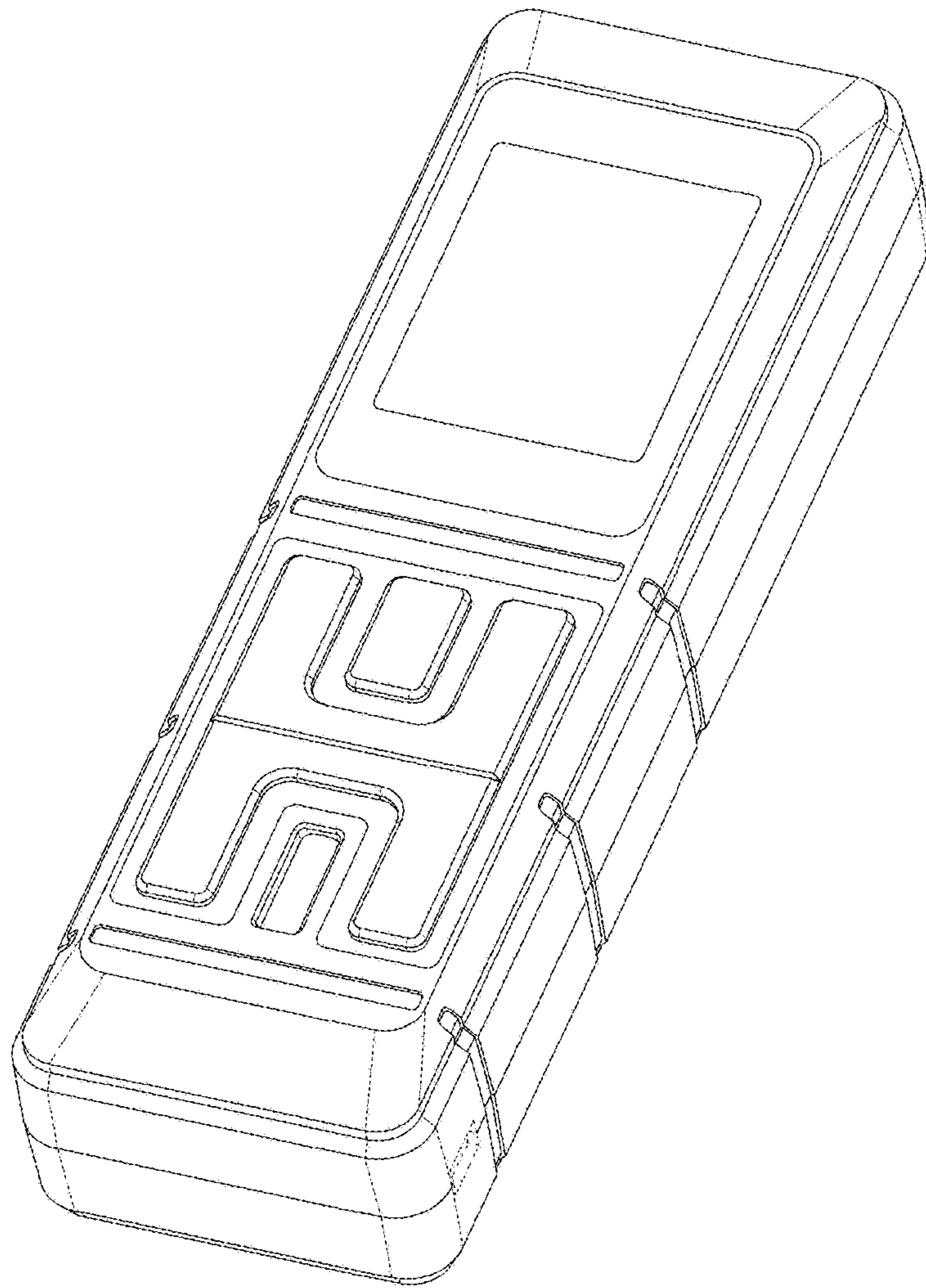


FIG. 1

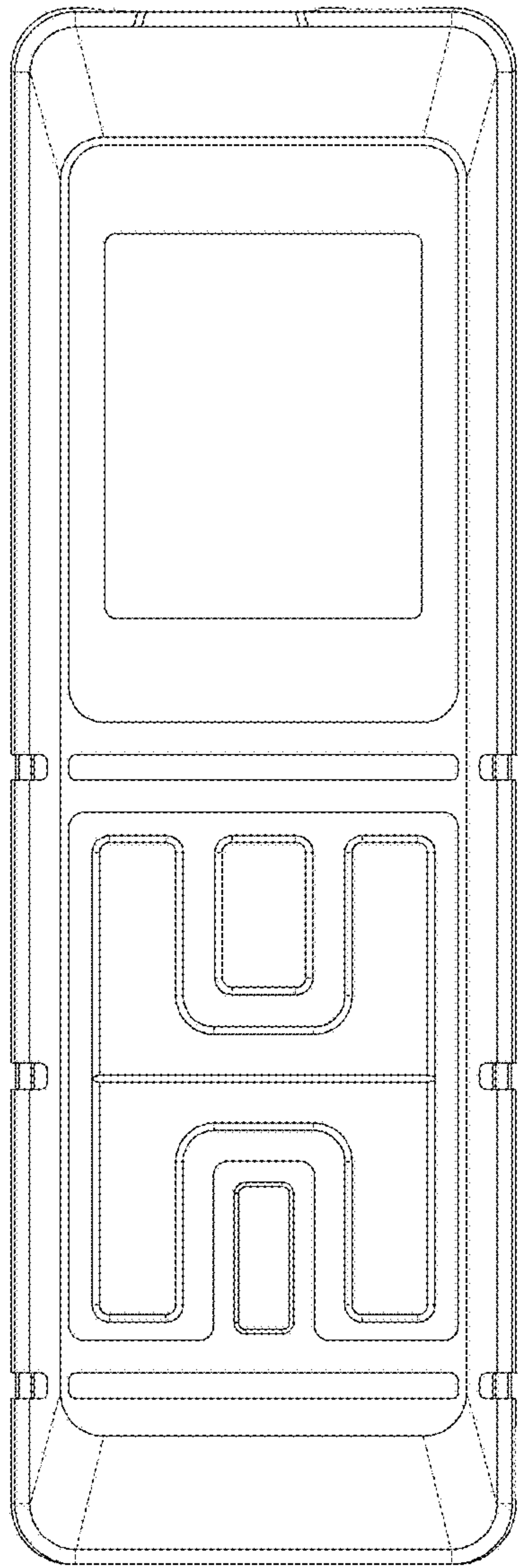


FIG. 2

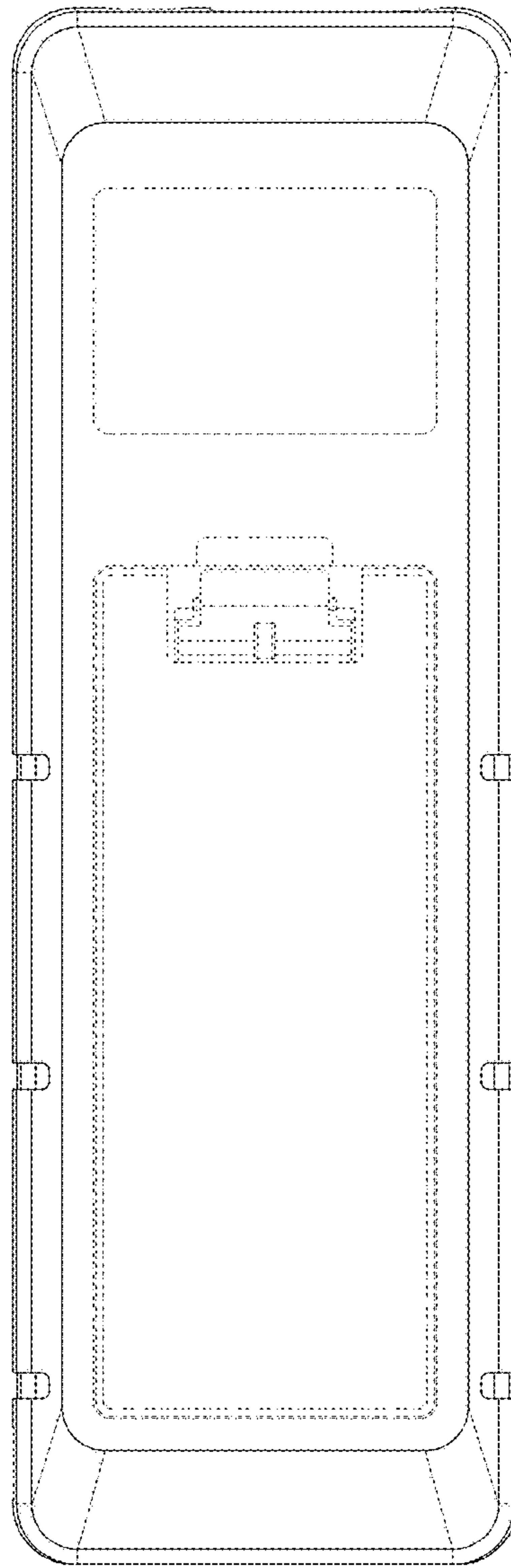


FIG. 3

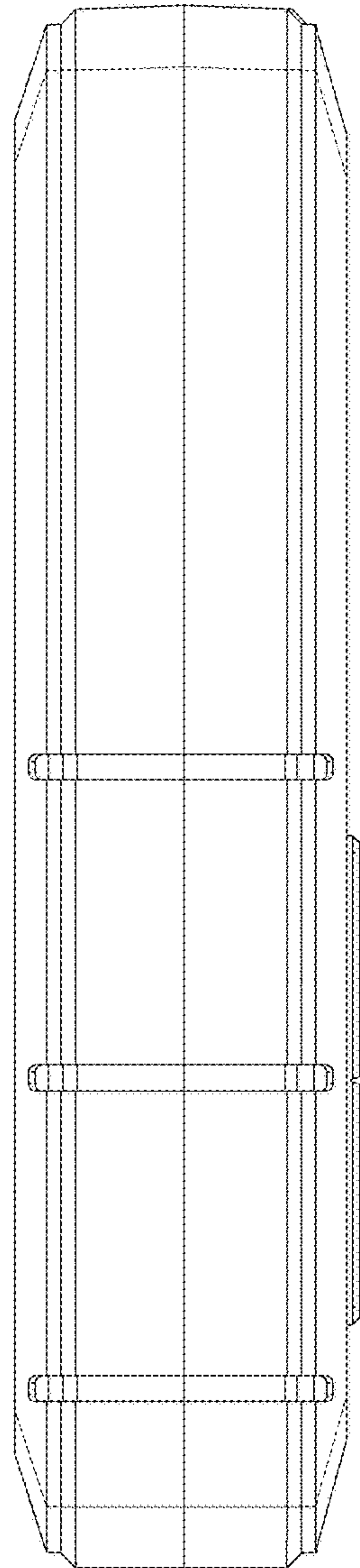


FIG. 4

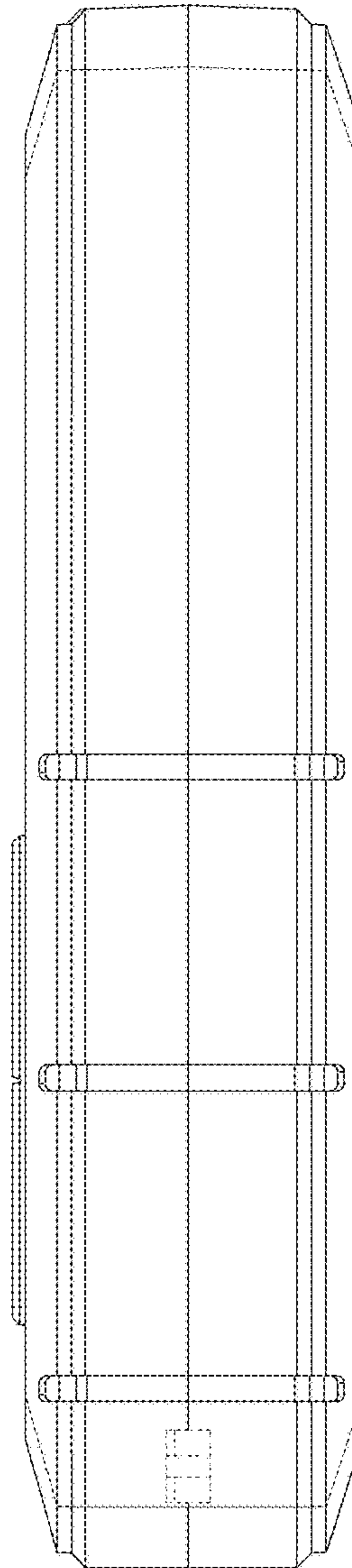


FIG. 5

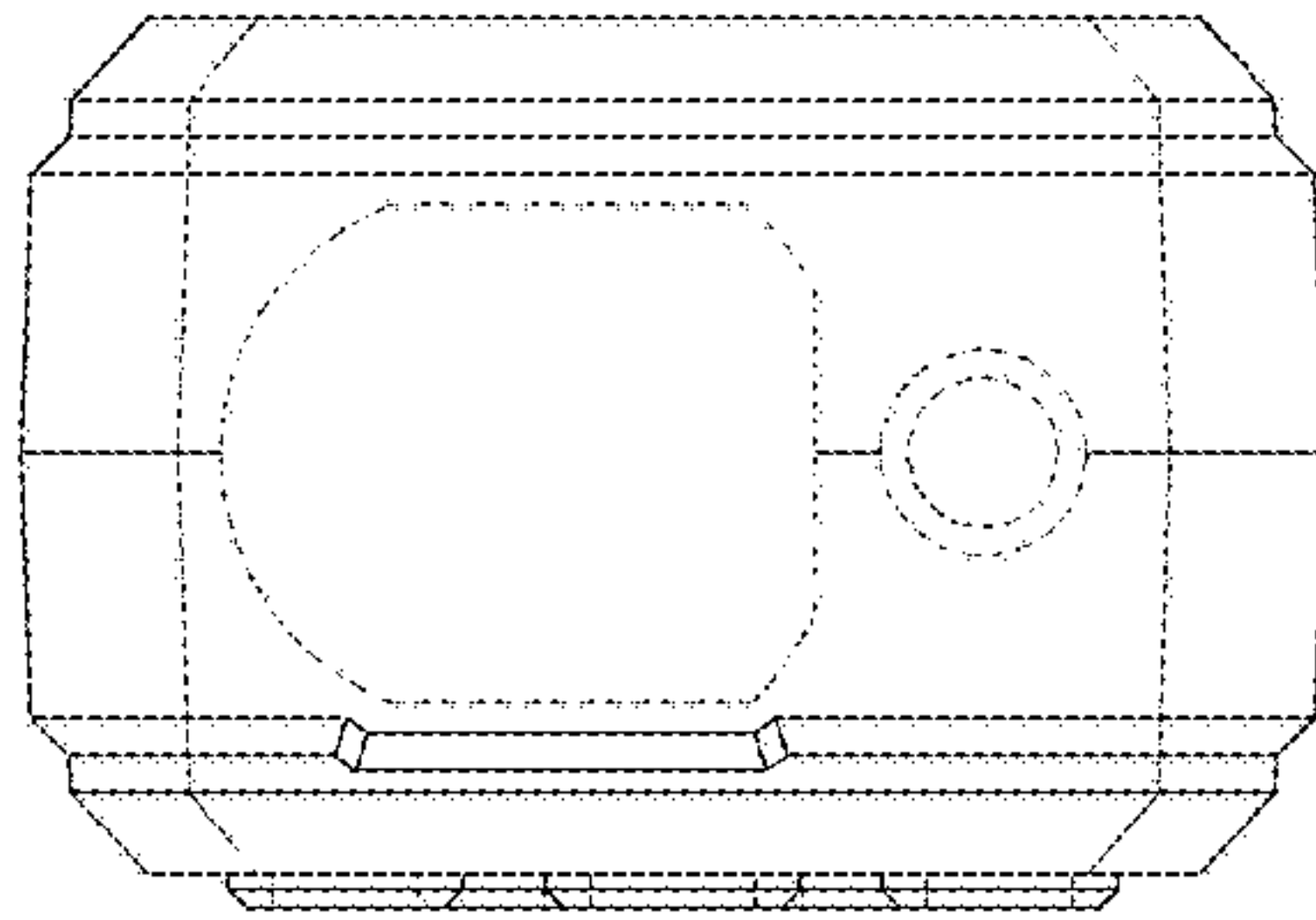


FIG. 6

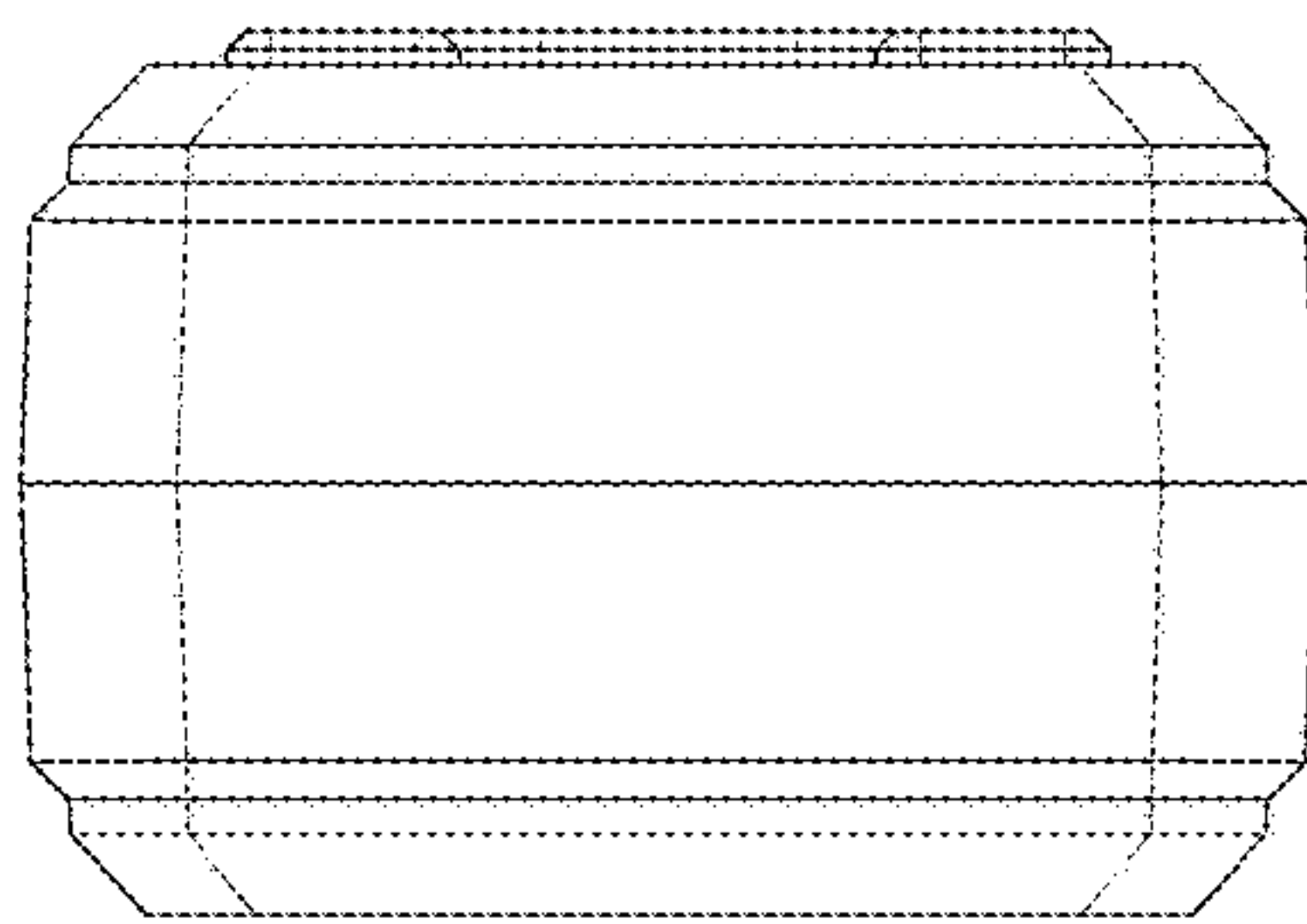


FIG. 7