

US00D861515S

(12) **United States Design Patent** (10) **Patent No.:** **US D861,515 S**  
**Hohenacker et al.** (45) **Date of Patent:** **\*\* Oct. 1, 2019**

(54) **SENSOR**

(71) Applicant: **Cleverciti Systems GmbH**, München (DE)  
(72) Inventors: **Thomas Malte Hohenacker**, Starnberg (DE); **Konrad Prinz-Dreher**, Neukirch (DE); **Ankit Rajesh Rasanias**, Weingarten (DE)

(73) Assignee: **CLEVERCITI SYSTEMS GMBH**, Munich (DE)

(\*\*) Term: **15 Years**

(21) Appl. No.: **29/634,447**

(22) Filed: **Jan. 22, 2018**

(30) **Foreign Application Priority Data**

Jul. 27, 2017 (EM) ..... 004118875-0001

(51) **LOC (12) Cl.** ..... **10-04**

(52) **U.S. Cl.**  
USPC ..... **D10/70**

(58) **Field of Classification Search**  
USPC ..... D10/70  
CPC ..... B60R 25/33; G08G 1/14; G08G 1/141; G08G 1/142; G08G 1/143; G08G 1/144; G08G 1/145; G08G 1/146; G08G 1/147; G08G 1/148; G08G 1/149; B60Q 1/482; B60Q 1/486

See application file for complete search history.

(56) **References Cited**

U.S. PATENT DOCUMENTS

D519,859 S \* 5/2006 Chinnadurai ..... D10/46  
D626,021 S \* 10/2010 Kalbach ..... D10/65  
D720,245 S \* 12/2014 Neigher ..... D10/65  
9,402,061 B2 \* 7/2016 Di Giamberardino ..... H05B 37/0227

\* cited by examiner

*Primary Examiner* — Antoine Duval Davis

(74) *Attorney, Agent, or Firm* — Global IP Counselors, LLP

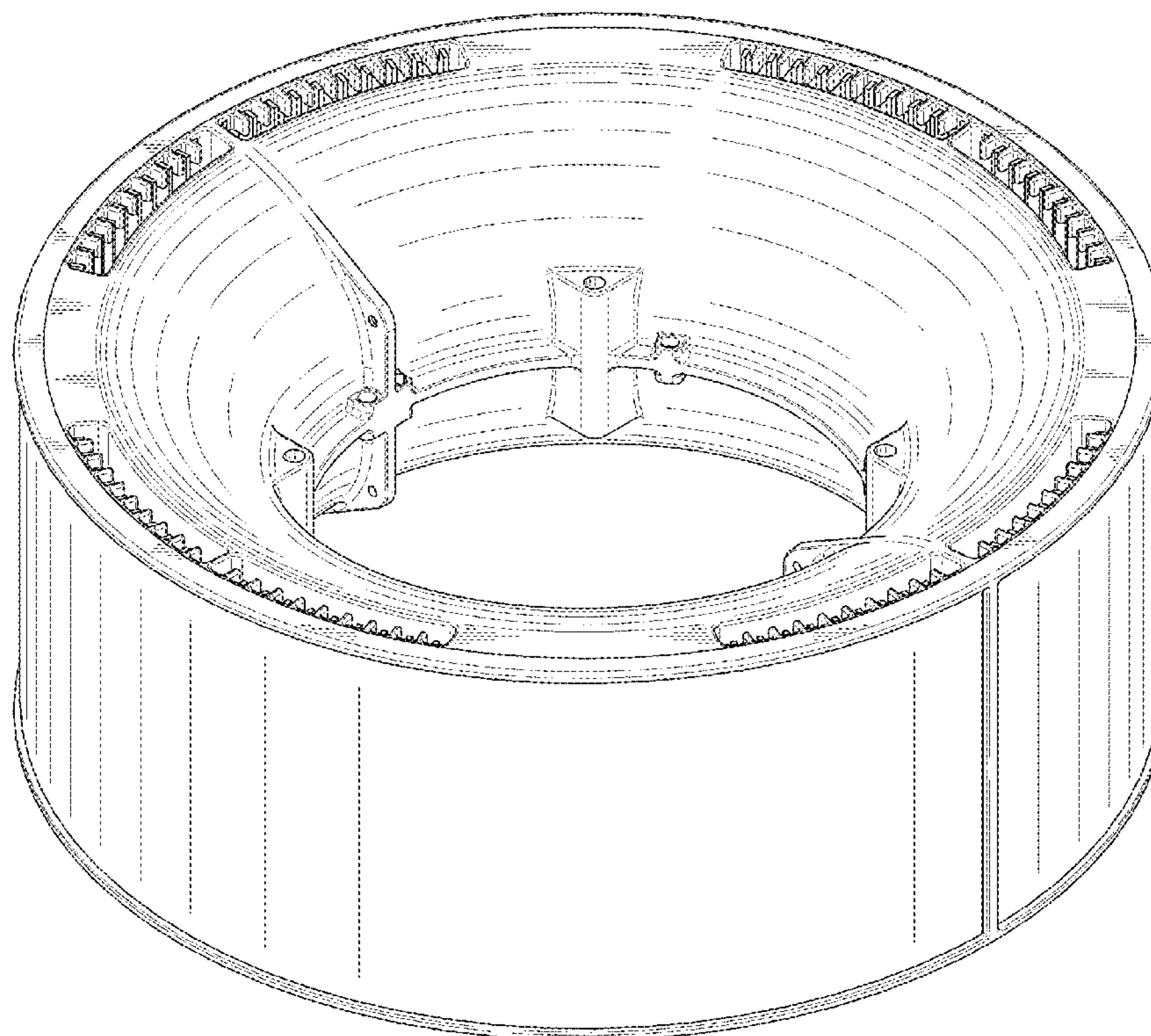
(57) **CLAIM**

The ornamental design for a sensor, as shown and described.

**DESCRIPTION**

FIG. 1 is a perspective front side view in accordance with our new design;  
FIG. 2 is a bottom view thereof;  
FIG. 3 is a top plan view thereof;  
FIG. 4 is a front view thereof;  
FIG. 5 is a rear view thereof;  
FIG. 6 is a right side view thereof; and,  
FIG. 7 is a left side view thereof.

**1 Claim, 7 Drawing Sheets**



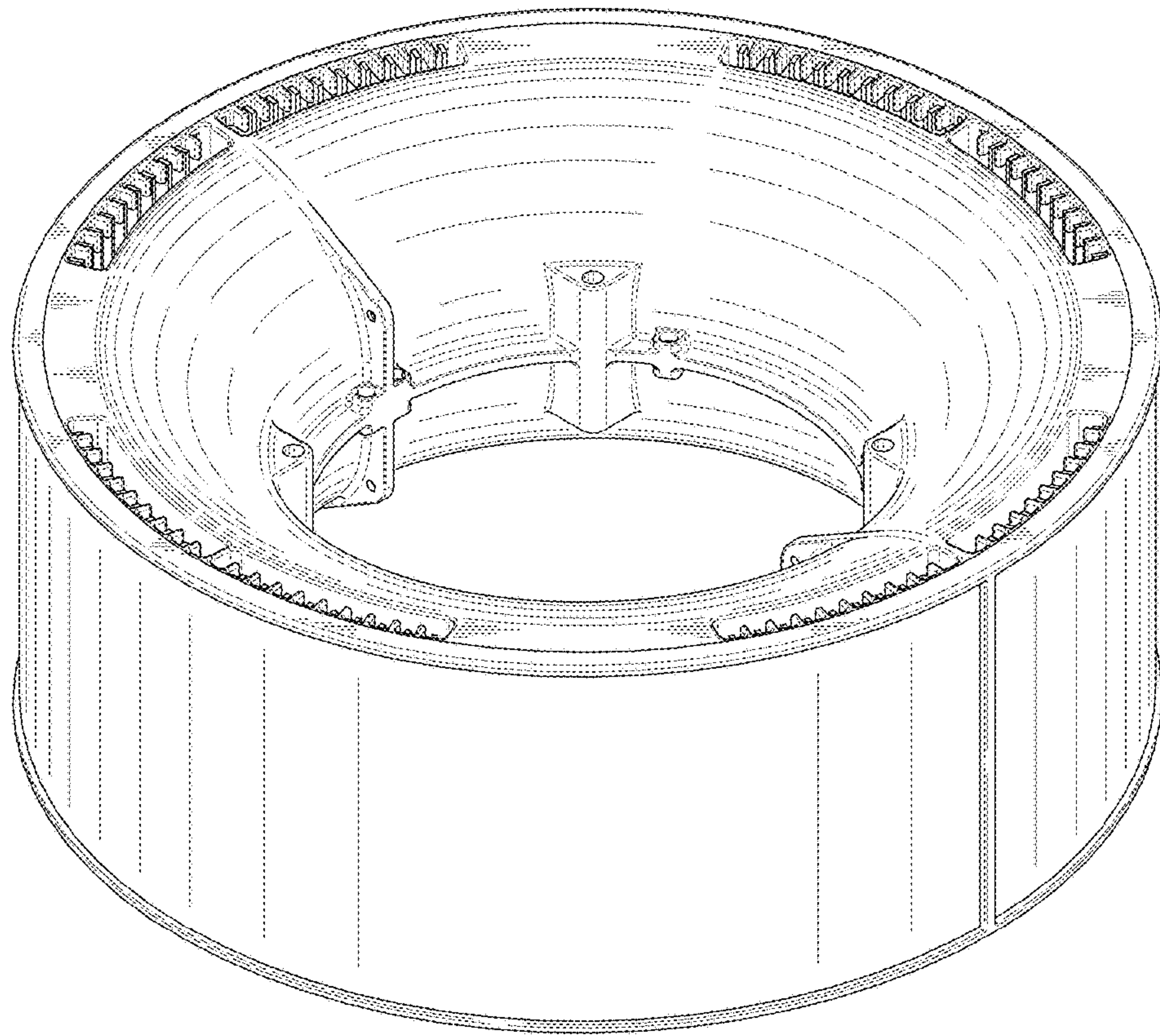


FIG. 1



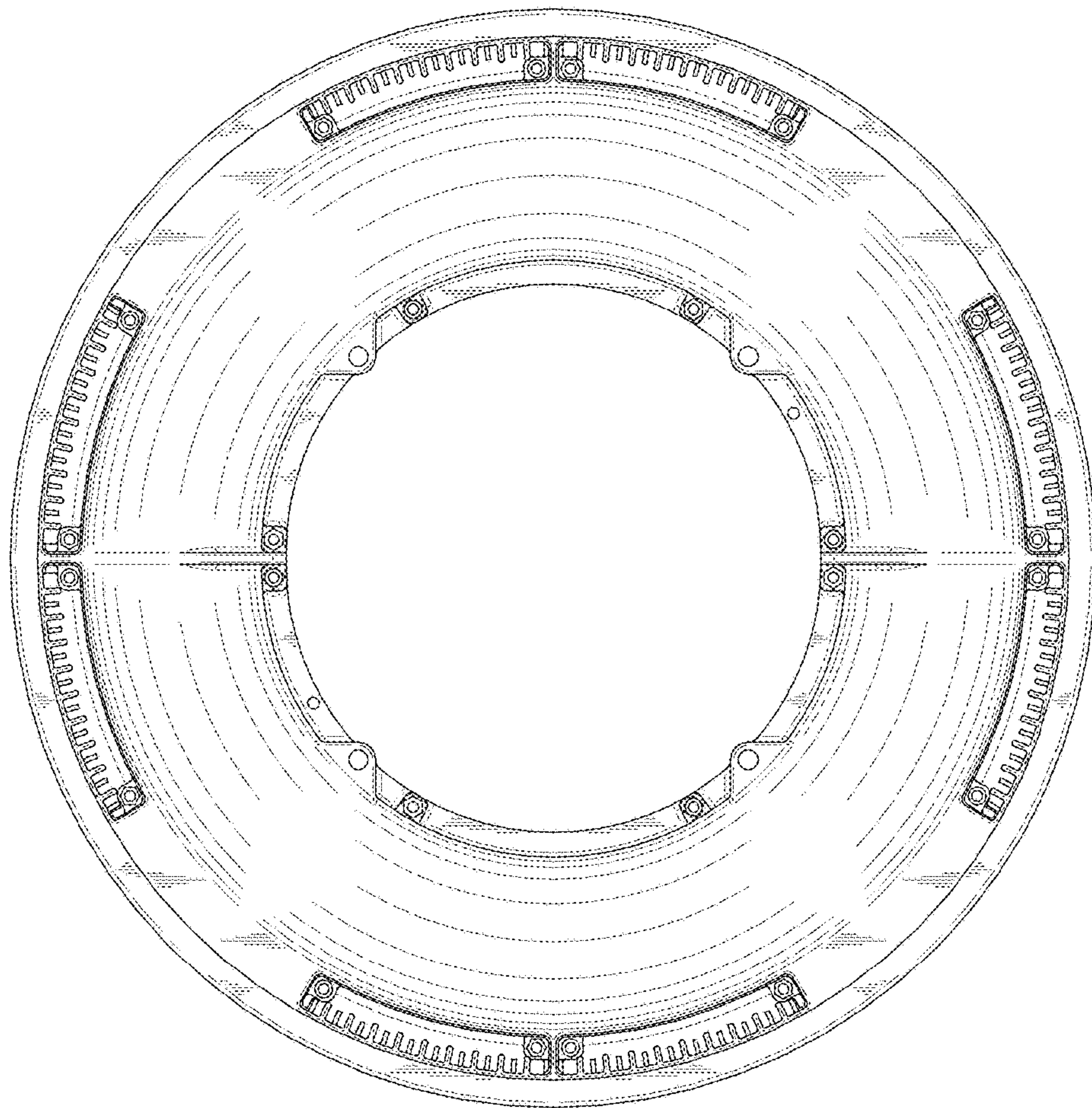


FIG. 2

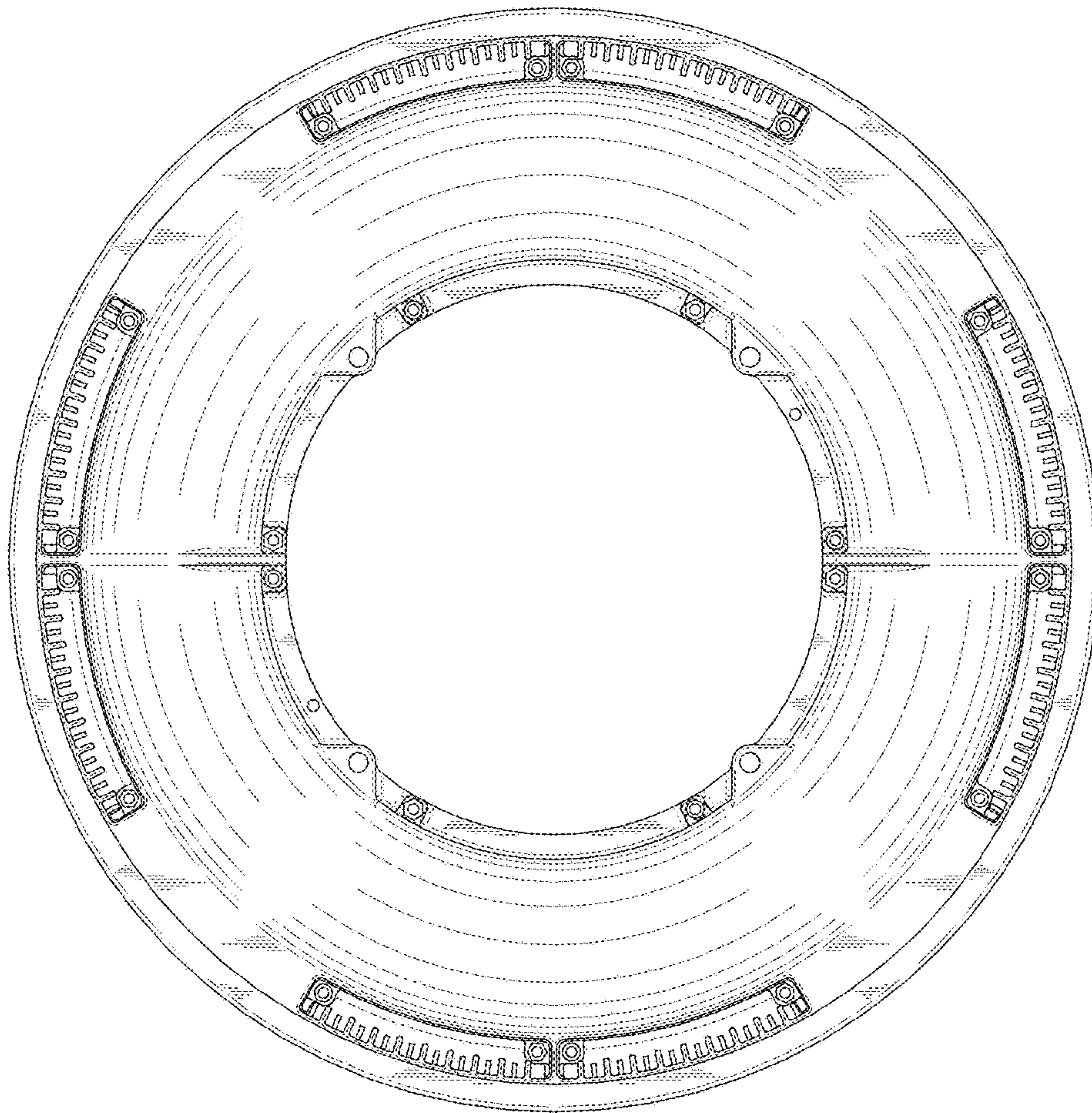


FIG. 3

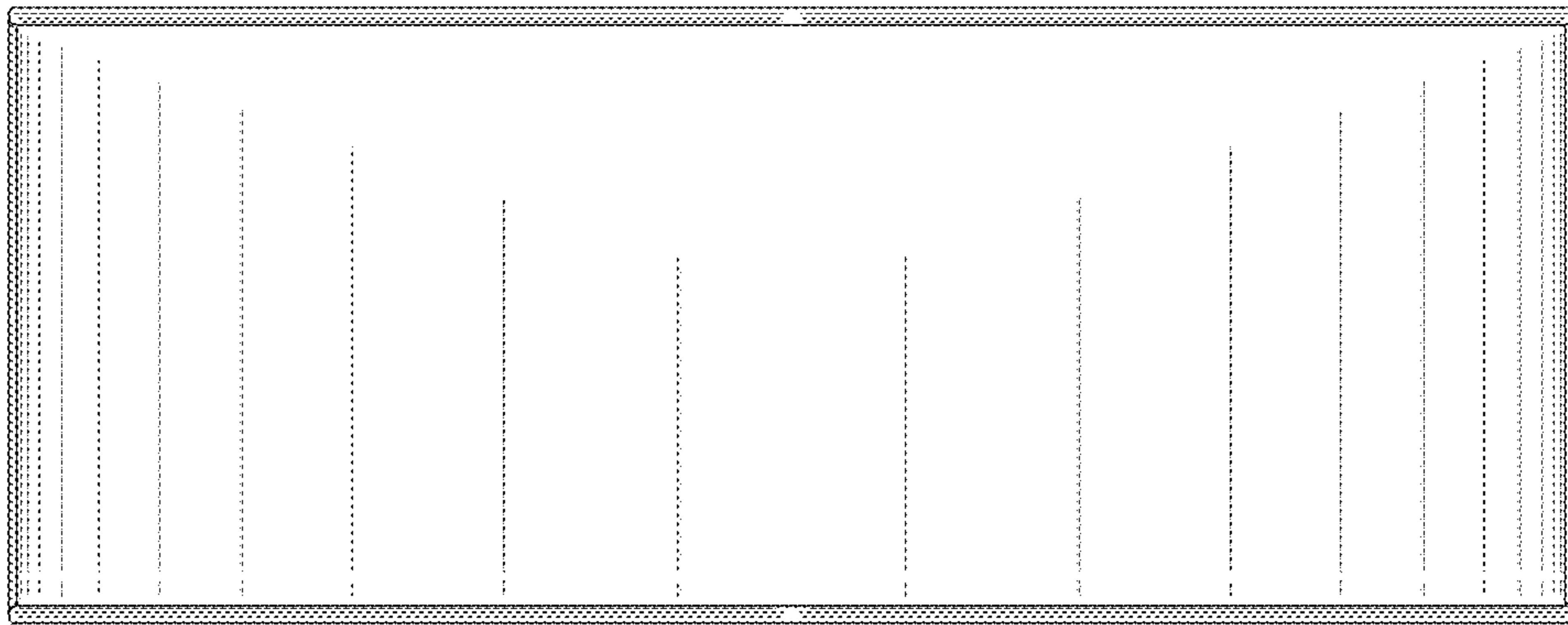


FIG. 4

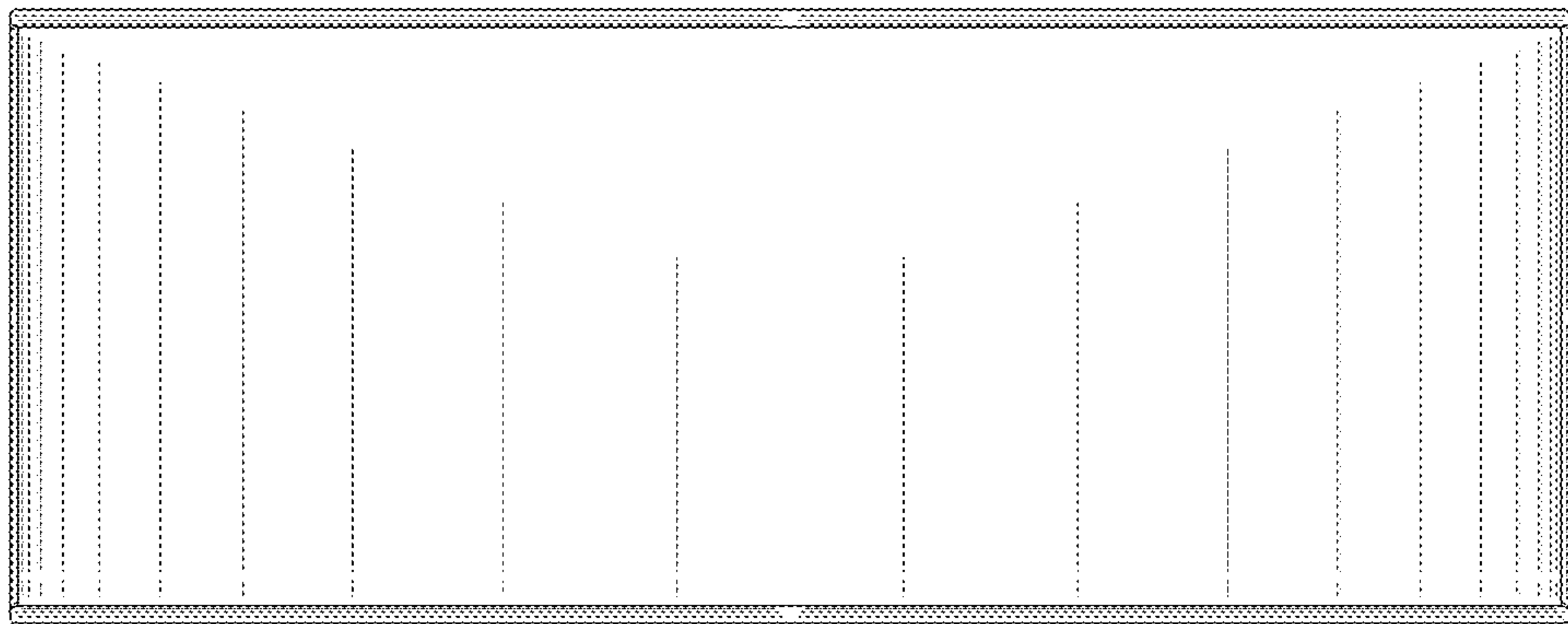


FIG. 5

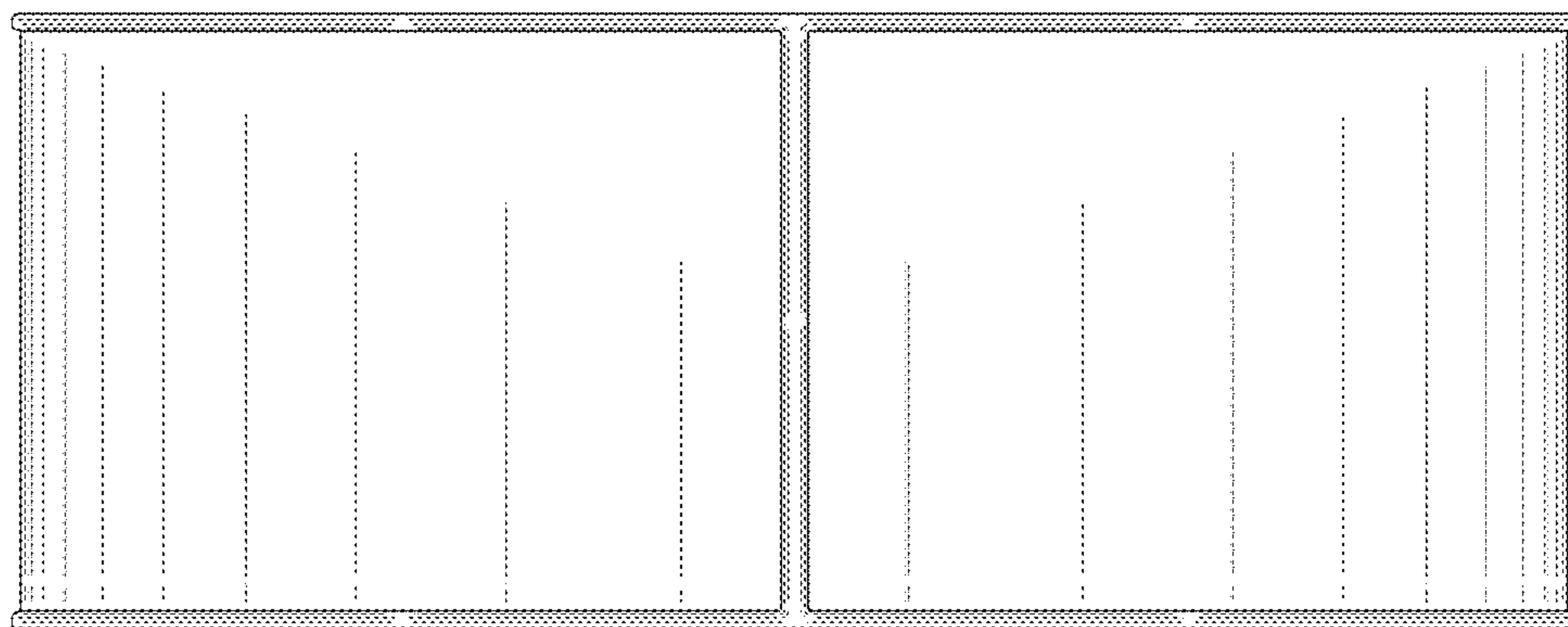


FIG. 6

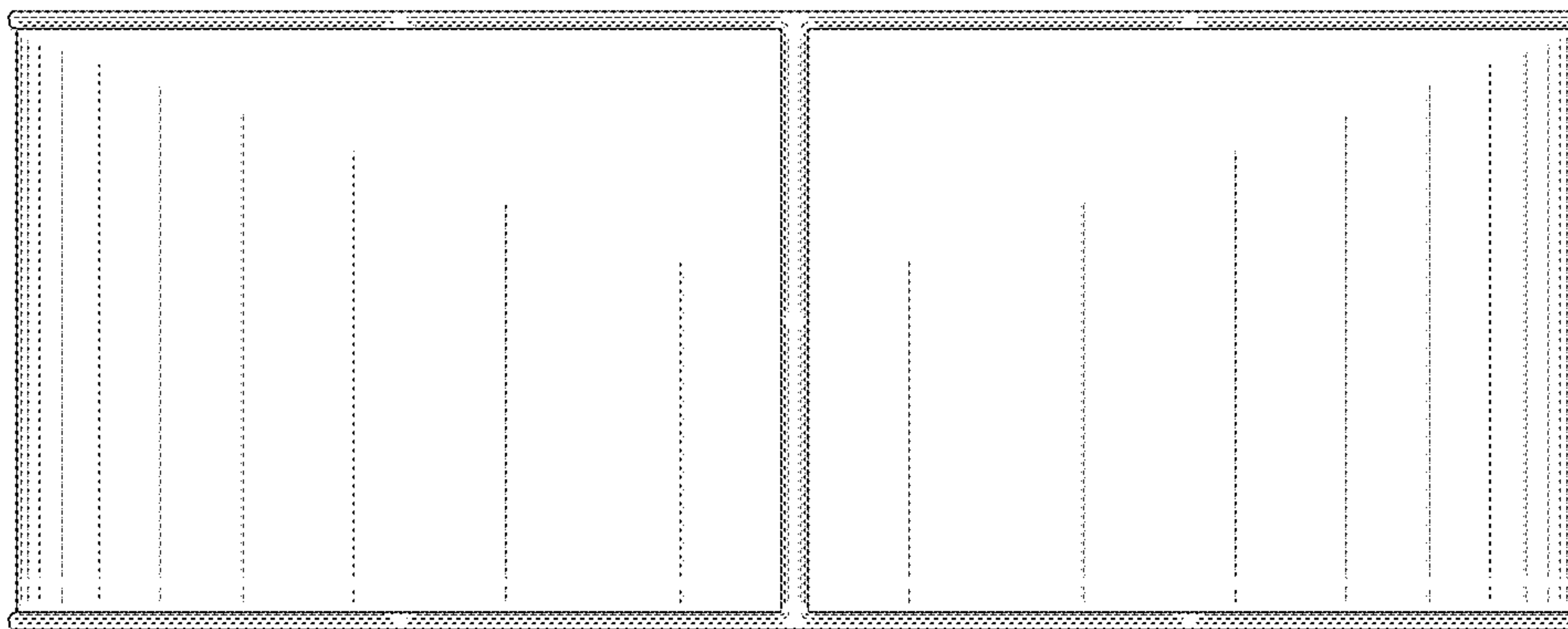


FIG. 7