



US00D861514S

(12) **United States Design Patent** (10) **Patent No.:** **US D861,514 S**
Chen (45) **Date of Patent:** **** Oct. 1, 2019**

(54) **SURFACE TOOL**

(71) Applicant: **Zircon Corporation**, Campbell, CA (US)

(72) Inventor: **Chien-Hsu Chen**, Millbrae, CA (US)

(73) Assignee: **Zircon Corporation**, Campbell, CA (US)

(**) Term: **15 Years**

(21) Appl. No.: **29/658,356**

(22) Filed: **Jul. 30, 2018**

(51) **LOC (12) Cl.** **10-04**

(52) **U.S. Cl.**
USPC **D10/65; D10/62; D10/70**

(58) **Field of Classification Search**
USPC D10/62, 65, 70, 78
CPC . G01V 3/08; G01V 3/088; G01V 3/15; G01V 3/16; G01V 3/165; G01V 3/17; G01V 3/175

See application file for complete search history.

(56) **References Cited**

U.S. PATENT DOCUMENTS

D706,148 S * 6/2014 Wingate D10/62
D707,143 S * 6/2014 Wingate D10/62

D707,575 S * 6/2014 Wingate D10/62
D724,968 S * 3/2015 Wingate D10/62
D726,042 S * 4/2015 Wingate D10/62
9,508,244 B2 * 11/2016 Wingate G01V 3/15

* cited by examiner

Primary Examiner — Antoine Duval Davis

(74) *Attorney, Agent, or Firm* — Omair M. Farooqui, Esq.; Palo Alto Legal Group, P.C.

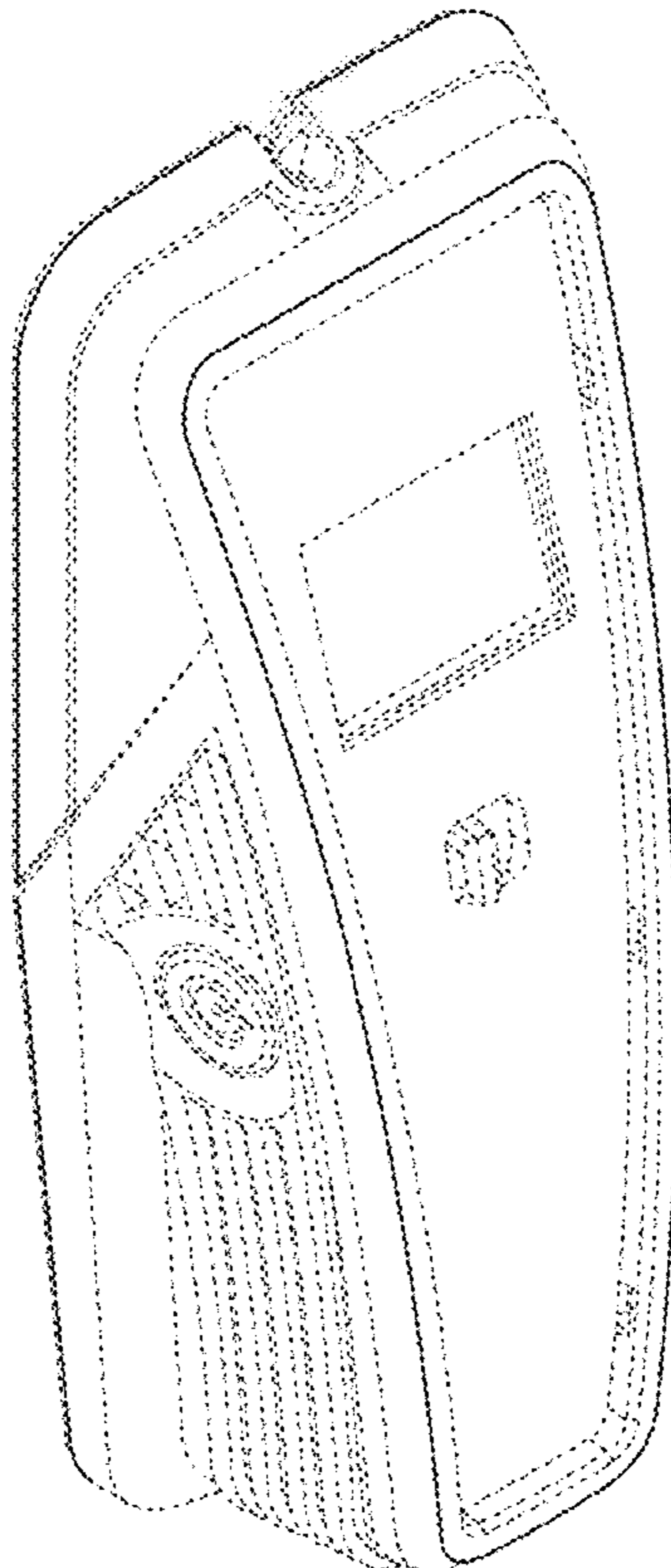
(57) **CLAIM**

The ornamental design for a surface tool, as described and shown.

DESCRIPTION

FIG. 1 is a perspective view of a surface tool according to a preferred embodiment of the present invention; FIG. 2 is a top plan view thereof; FIG. 3 is a bottom plan view thereof; FIG. 4 is a right side plan view thereof; FIG. 5 is a left side plan view thereof; FIG. 6 is a front elevational view thereof; and, FIG. 7 is a rear elevational view thereof. The broken lines shown in FIGS. 1-7 are environmental only and form no part of the claimed design.

1 Claim, 5 Drawing Sheets



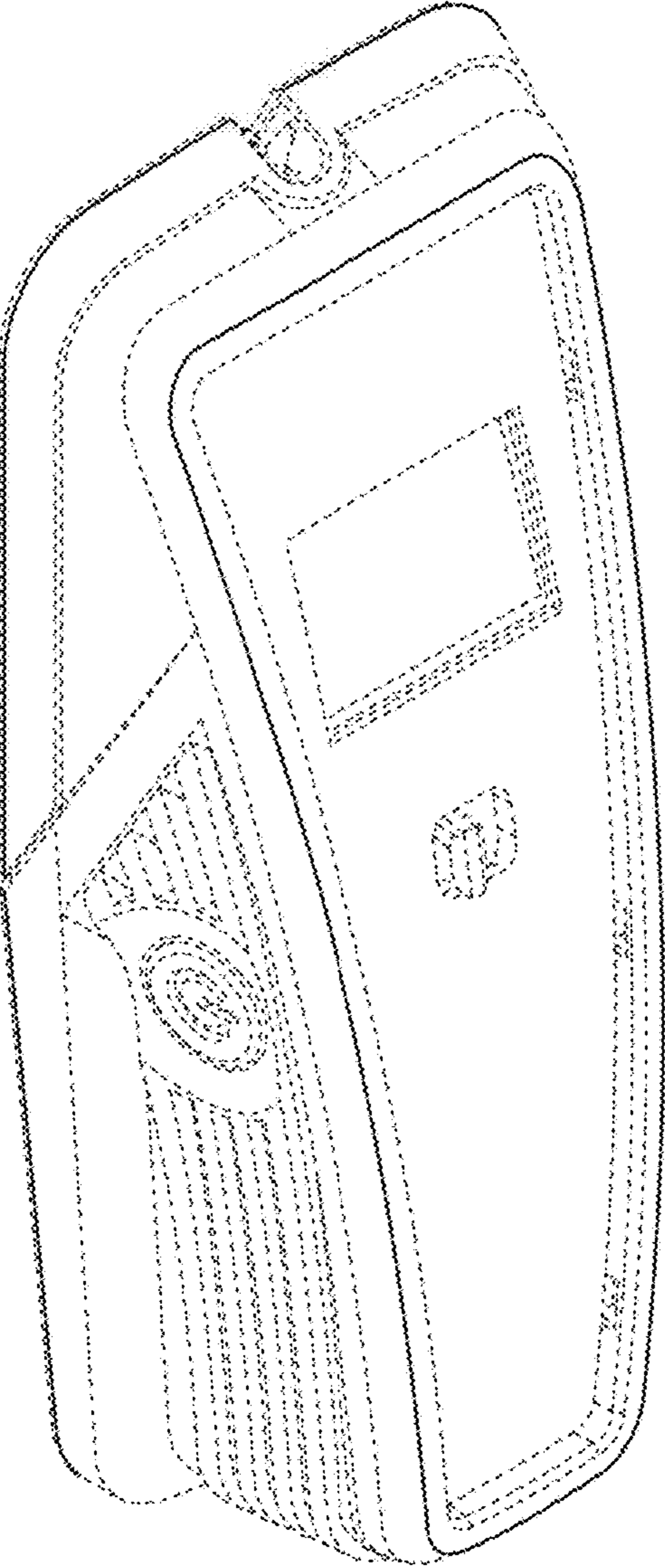


FIG. 1

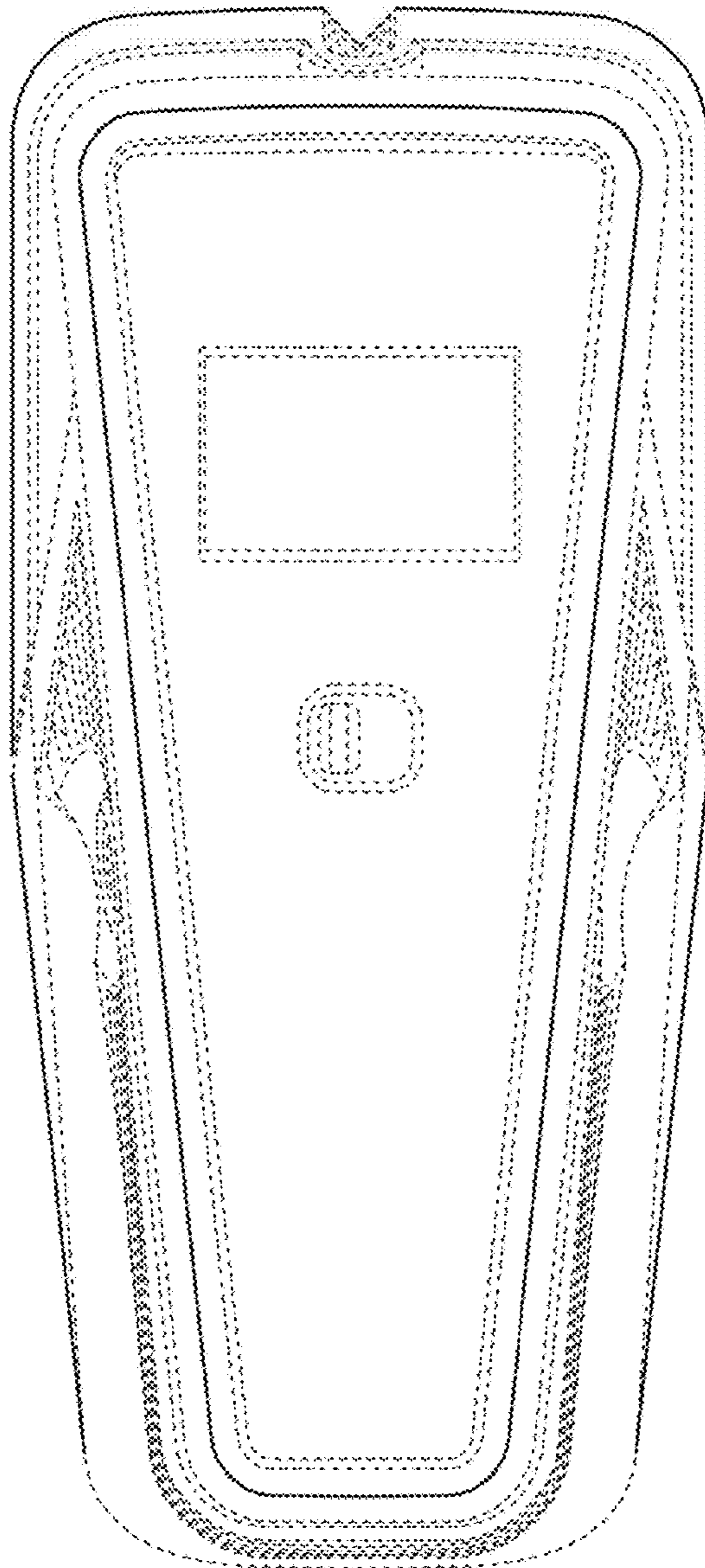


FIG. 2

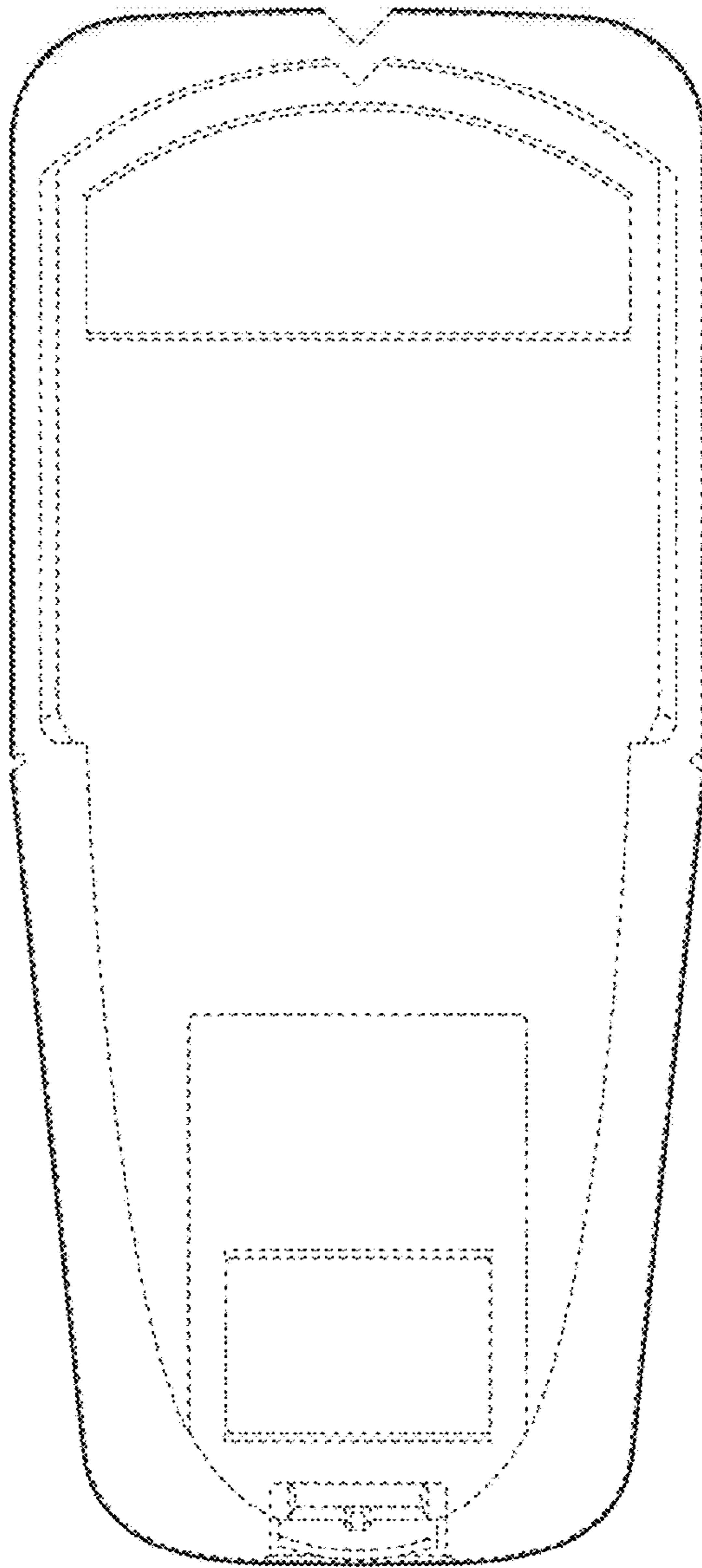


FIG. 3

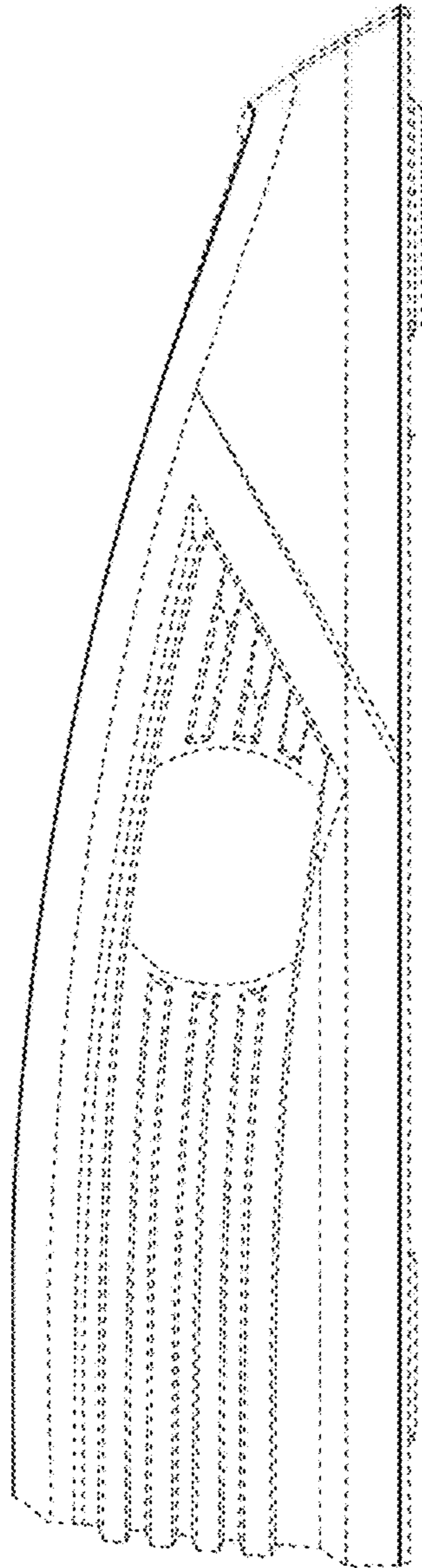


FIG. 4

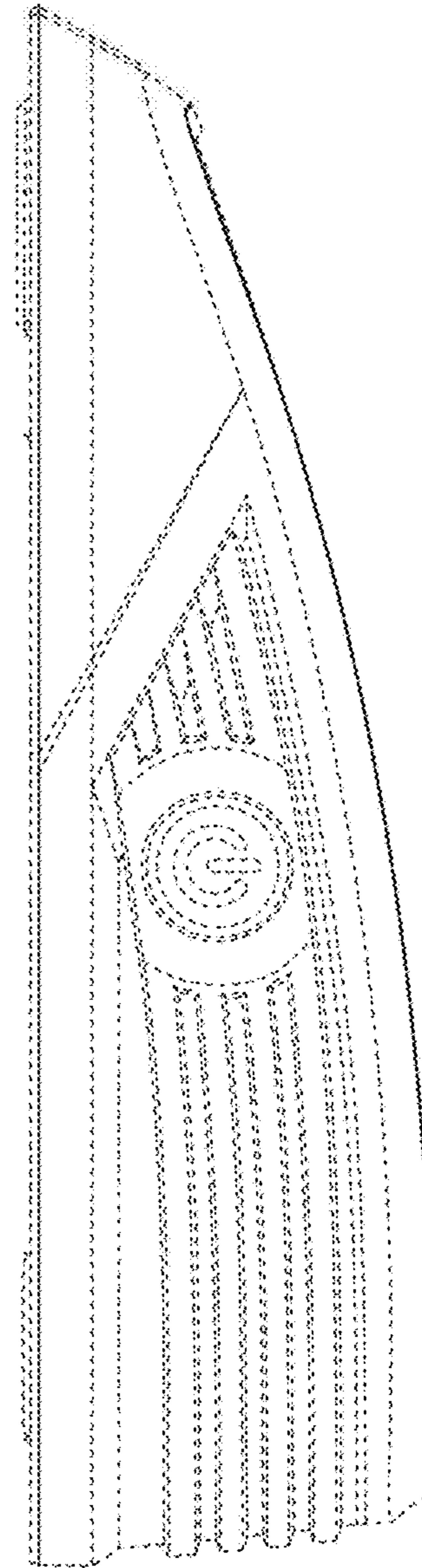


FIG. 5

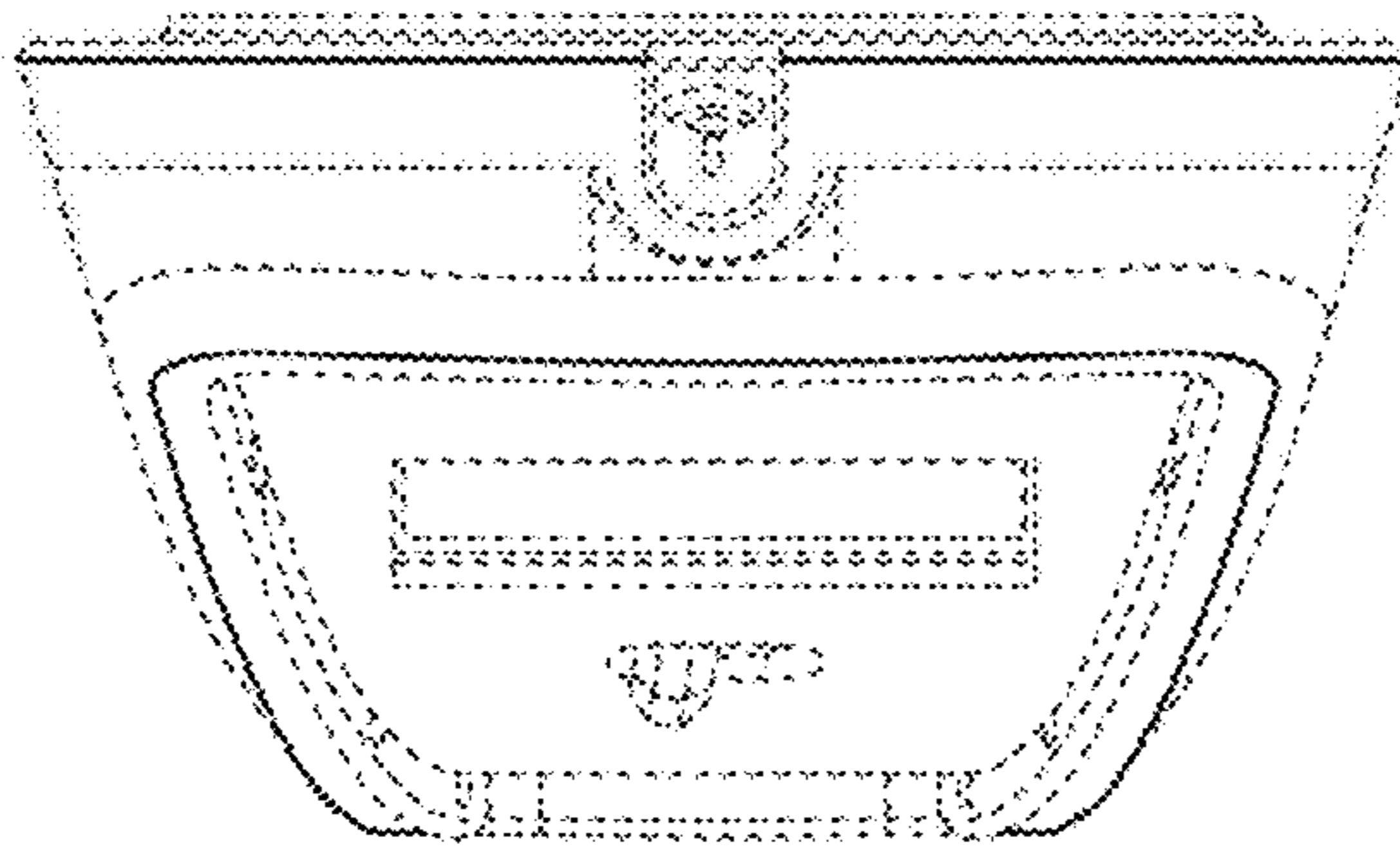


FIG. 6

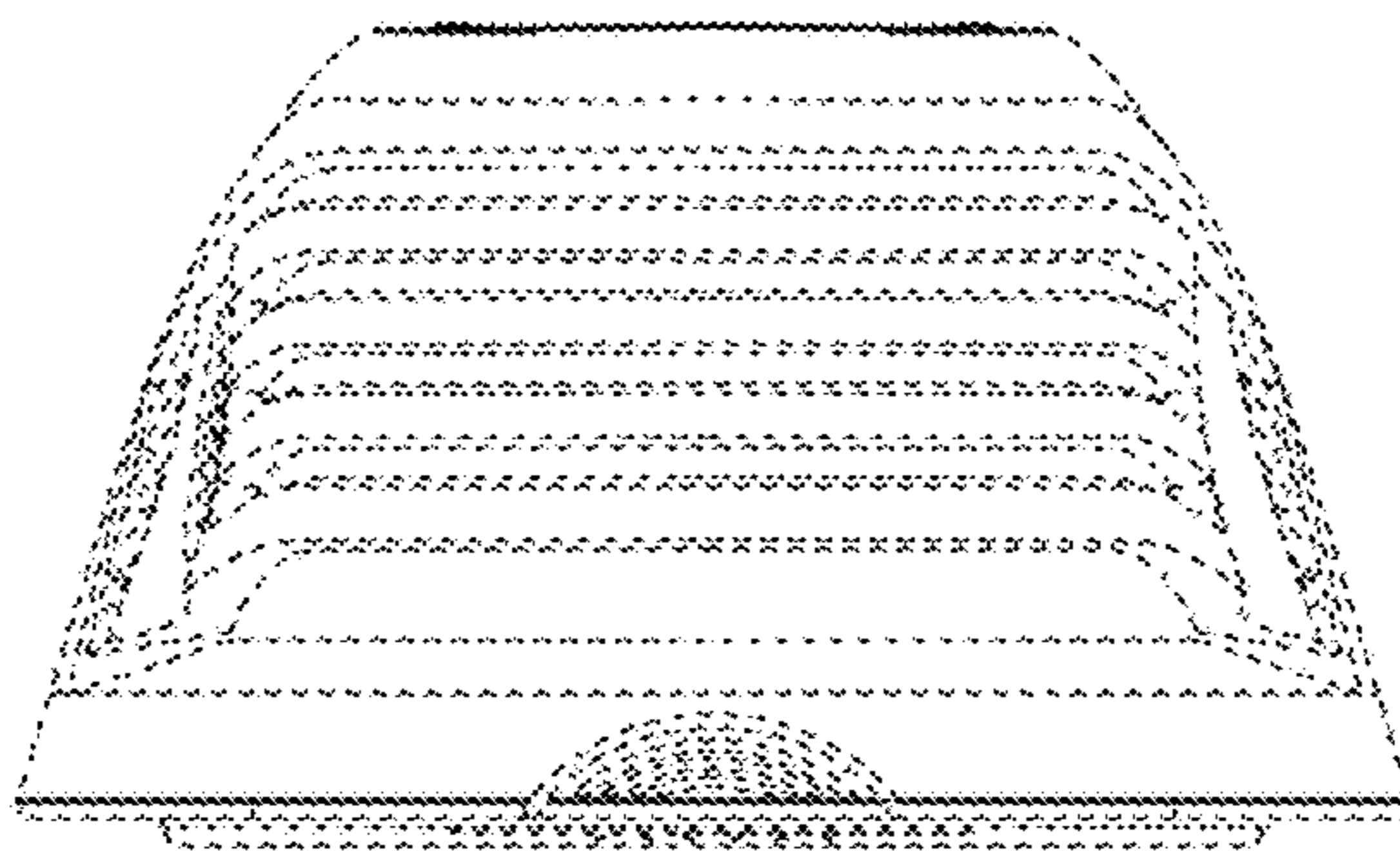


FIG. 7