



US00D861510S

(12) **United States Design Patent**
Wang

(10) **Patent No.:** **US D861,510 S**

(45) **Date of Patent:** **** Oct. 1, 2019**

- (54) **DIGITAL LASER RANGEFINDER**
- (71) Applicant: **Shenzhen Ruiexing Electronic Co., Ltd.**, Shenzhen, Guangdong (CN)
- (72) Inventor: **Xingzhi Wang**, Guangdong (CN)
- (73) Assignee: **Shenzhen Ruiexing Electronic Co., Ltd.**, Shenzhen (CN)
- (**) Term: **15 Years**
- (21) Appl. No.: **29/630,670**
- (22) Filed: **Dec. 21, 2017**
- (51) **LOC (12) Cl.** **10-04**
- (52) **U.S. Cl.**
USPC **D10/65; D16/208**
- (58) **Field of Classification Search**
USPC D16/200–220, 131, 237, 242, 239, 250,
D16/235, 130, 134, 136, 238;
D14/138 C, 240, 248, 203.1, 203.3, 203.7,
D14/218; D10/104.1, 50, 65, 74, 70,
D10/118.2
CPC ... G02B 7/02; G02B 7/04; G02B 7/14; G02B
3/14; G03B 17/00; G03B 17/02; G03B
17/56; G03B 17/04; G03B 17/14; G03B
15/03; G03B 9/08; H04N 5/2251; H04N
5/2252; H04N 5/2253; H04N 5/2254;
H04N 7/00; H04N 2101/00; F16M 13/00
See application file for complete search history.

- (56) **References Cited**
U.S. PATENT DOCUMENTS
D341,152 S * 11/1993 Ito D16/209
D369,818 S * 5/1996 Ono D16/202
D430,187 S * 8/2000 Naito D16/202
D456,436 S * 4/2002 Omino D16/202
D494,202 S * 8/2004 Nakamura D16/202
D500,775 S * 1/2005 Iue D16/202
D524,836 S * 7/2006 Morita D16/202
D540,362 S * 4/2007 Yamagishi D16/218
D542,323 S * 5/2007 Takagi D16/202

- D547,348 S * 7/2007 Kashiwagi D16/208
 - D550,736 S * 9/2007 Sakai D16/202
 - D553,658 S * 10/2007 Naito D16/202
 - D556,229 S * 11/2007 Bai D16/202
 - D557,307 S * 12/2007 Nakamura D16/202
 - D563,806 S * 3/2008 Jeon D10/65
 - D565,977 S * 4/2008 Ross D10/65
 - D568,362 S * 5/2008 Horikiri D16/202
 - D576,191 S * 9/2008 Shimobayashi D16/202
 - D597,115 S * 7/2009 Inaba D16/202
- (Continued)

OTHER PUBLICATIONS

Laser Rangefinder with Camera, published 2019 [online], [retrieved Jun. 20, 2019], Available from Internet, URL: https://www.iwa.info/en/ausstellerprodukte/iwa19/product-9998380/laser-rangefinder-with-camera.*

Primary Examiner — Barbara Fox
Assistant Examiner — Mary Claire Ramirez

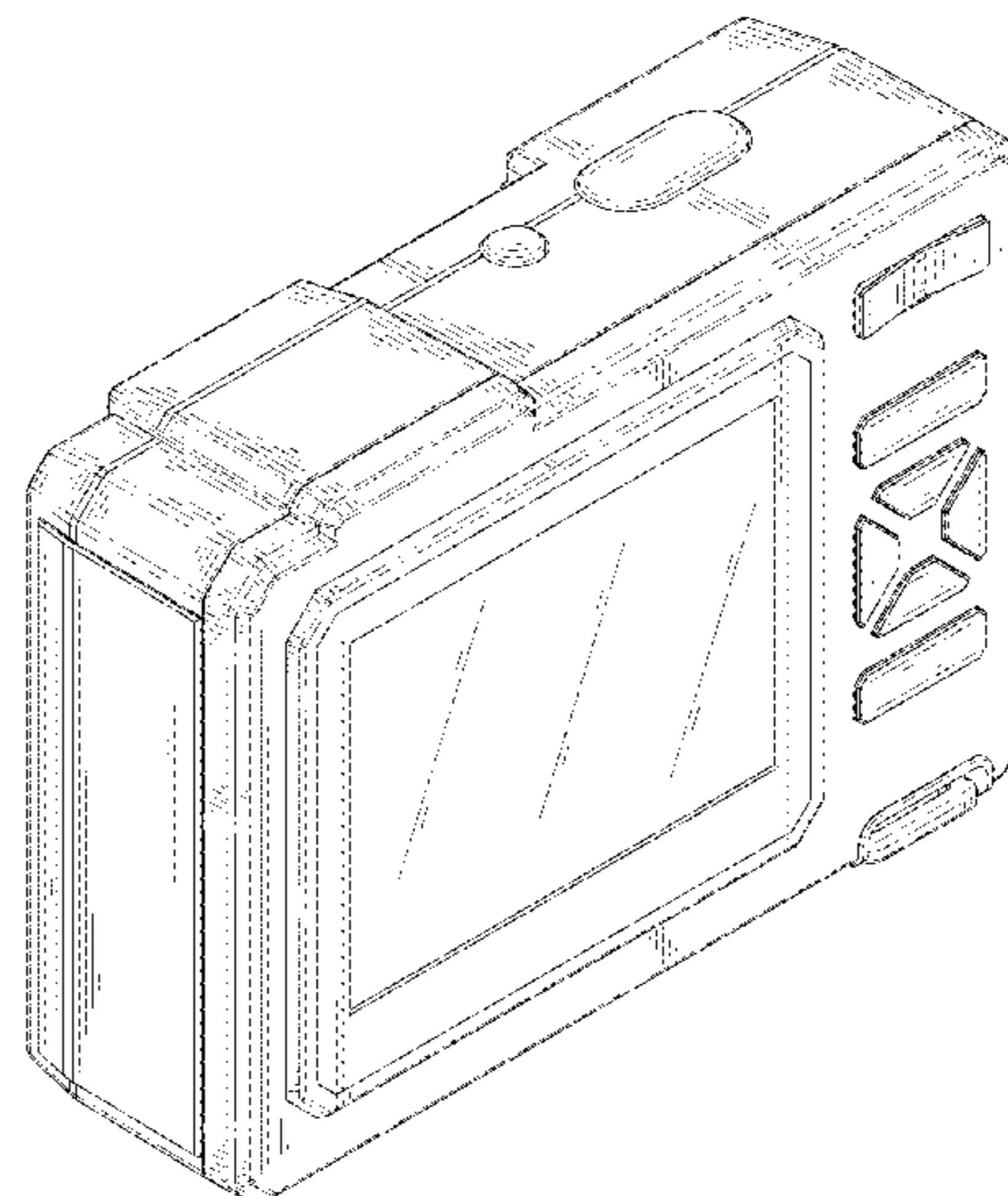
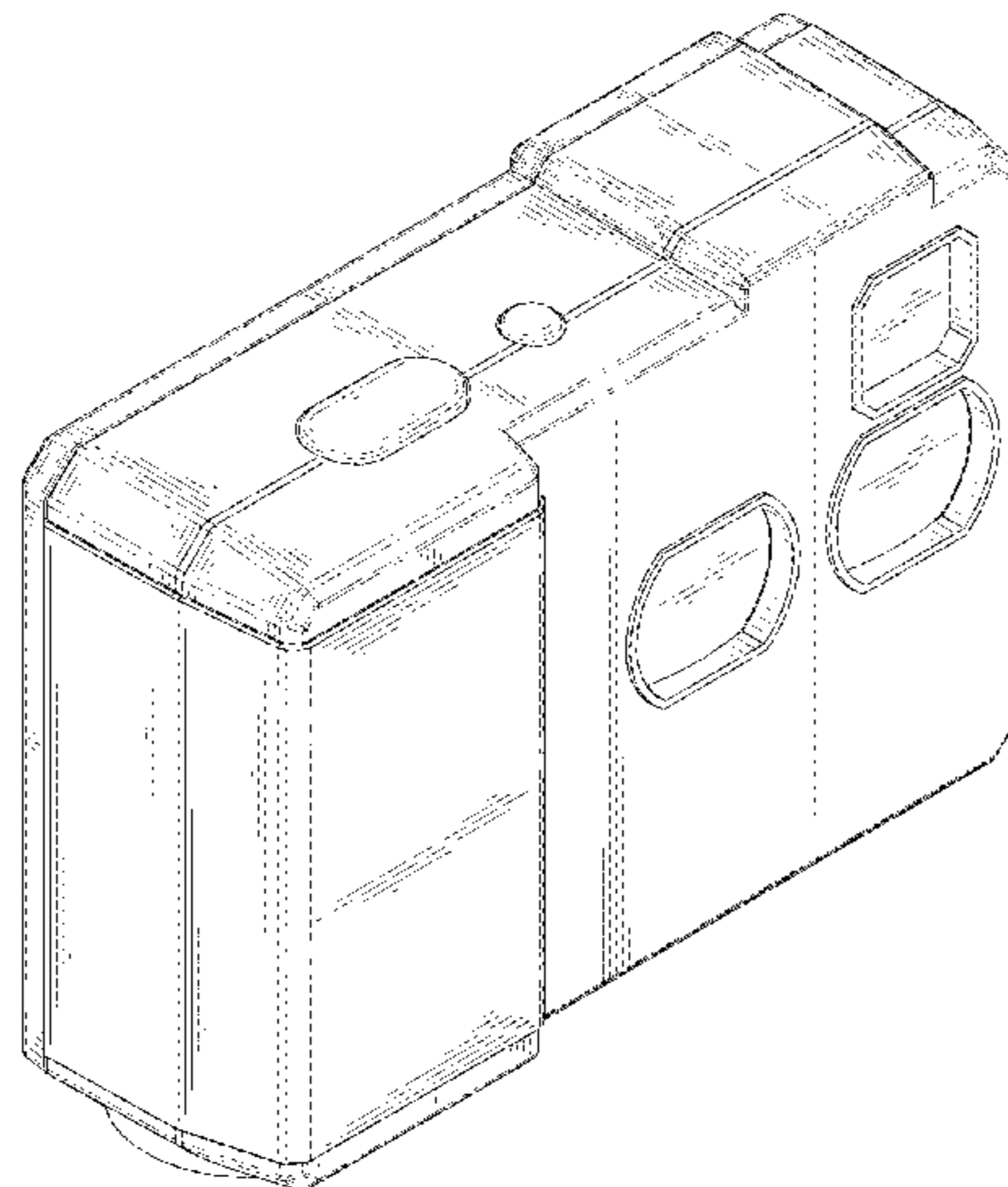
(57) **CLAIM**

The ornamental design for a digital laser rangefinder, as shown and described.

DESCRIPTION

FIG. 1 is a first perspective view of a digital laser rangefinder showing my new design;
FIG. 2 is a second perspective view thereof;
FIG. 3 is a third perspective view thereof;
FIG. 4 is a front elevational view thereof;
FIG. 5 is a rear elevational view thereof;
FIG. 6 is a left side view thereof;
FIG. 7 is a right side view thereof;
FIG. 8 is a top plan view thereof; and,
FIG. 9 is a bottom plan view thereof.
The broken lines in the drawings illustrate portions of the digital laser rangefinder which form no part of the claimed design.
The diagonal lines indicate transparency.

1 Claim, 9 Drawing Sheets



(56)

References Cited

U.S. PATENT DOCUMENTS

D605,674	S *	12/2009	Nohara	D16/202
D607,480	S *	1/2010	Nakajima	D16/202
D608,812	S *	1/2010	Tainaka	D16/202
D609,262	S *	2/2010	Tainaka	D16/219
D610,179	S *	2/2010	Tajima	D16/202
D668,281	S *	10/2012	Nakamura	D16/202
D688,575	S *	8/2013	Kokkonen	D10/65
D688,722	S *	8/2013	Akita	D16/219
D701,549	S *	3/2014	Ogasawara	D16/202
D745,907	S *	12/2015	Ham	D16/202
D745,908	S *	12/2015	Ham	D16/202
D840,851	S *	2/2019	Ammar	D10/104.1
D842,913	S *	3/2019	Barth	D16/202
2011/0007133	A1 *	1/2011	Imanishi	G03B 17/00 348/42
2011/0044672	A1 *	2/2011	Ito	G02B 7/023 396/55
2013/0201294	A1 *	8/2013	Iyoda	G03B 17/02 348/47
2013/0201393	A1 *	8/2013	Hubbard	H04N 5/2252 348/376
2013/0222687	A1 *	8/2013	Shirakata	G02B 7/10 348/374

* cited by examiner

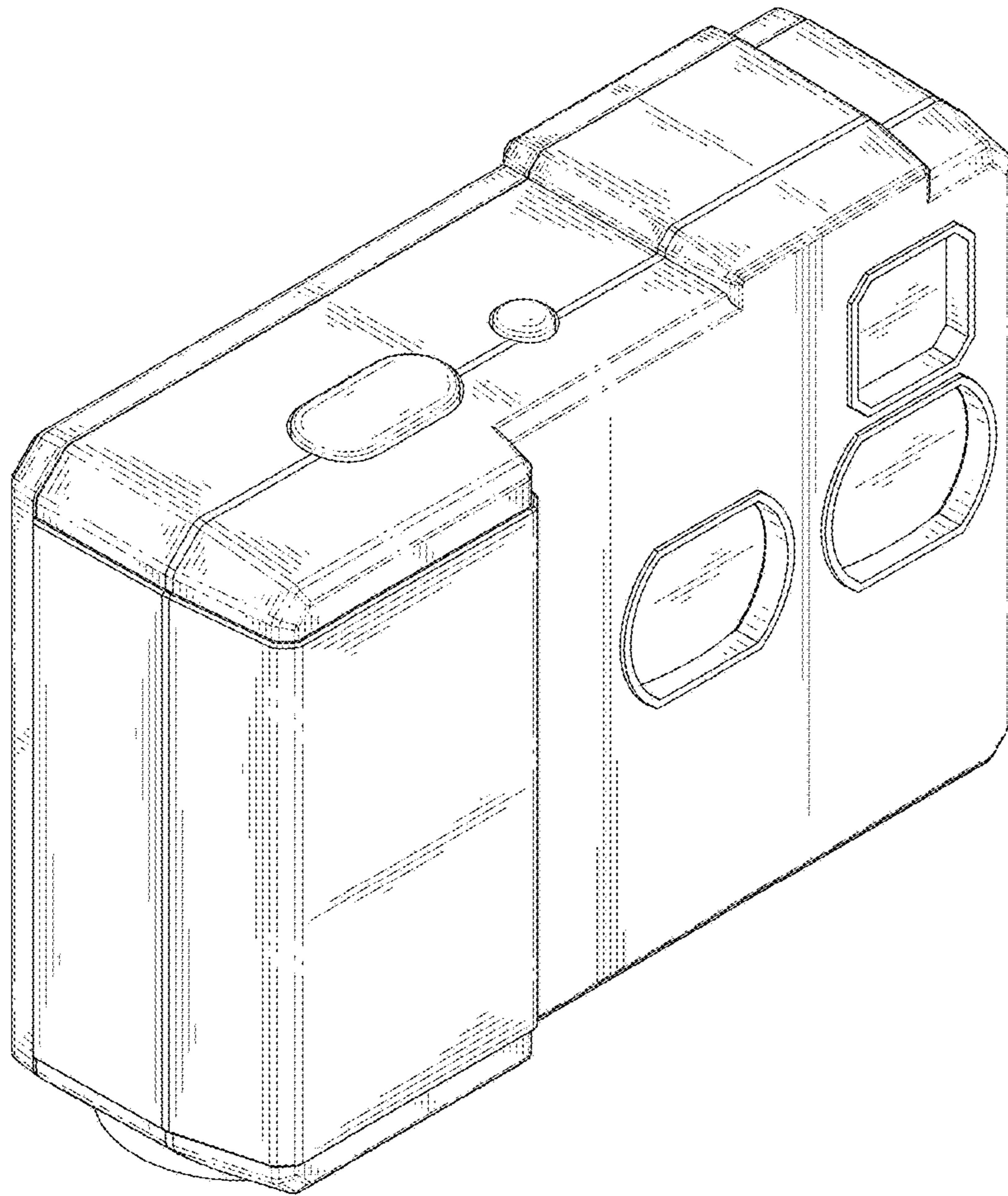


FIG. 1

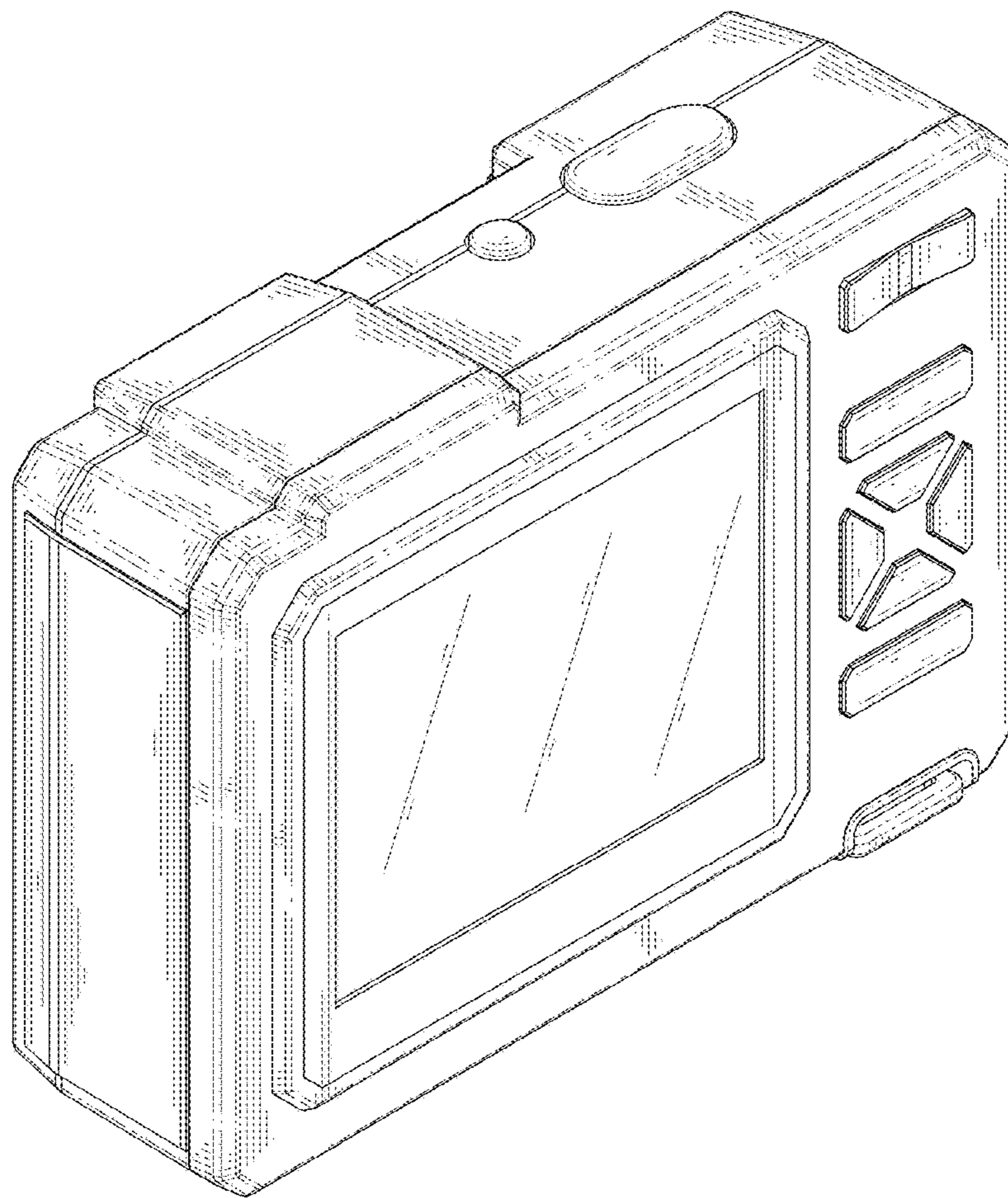


FIG. 2

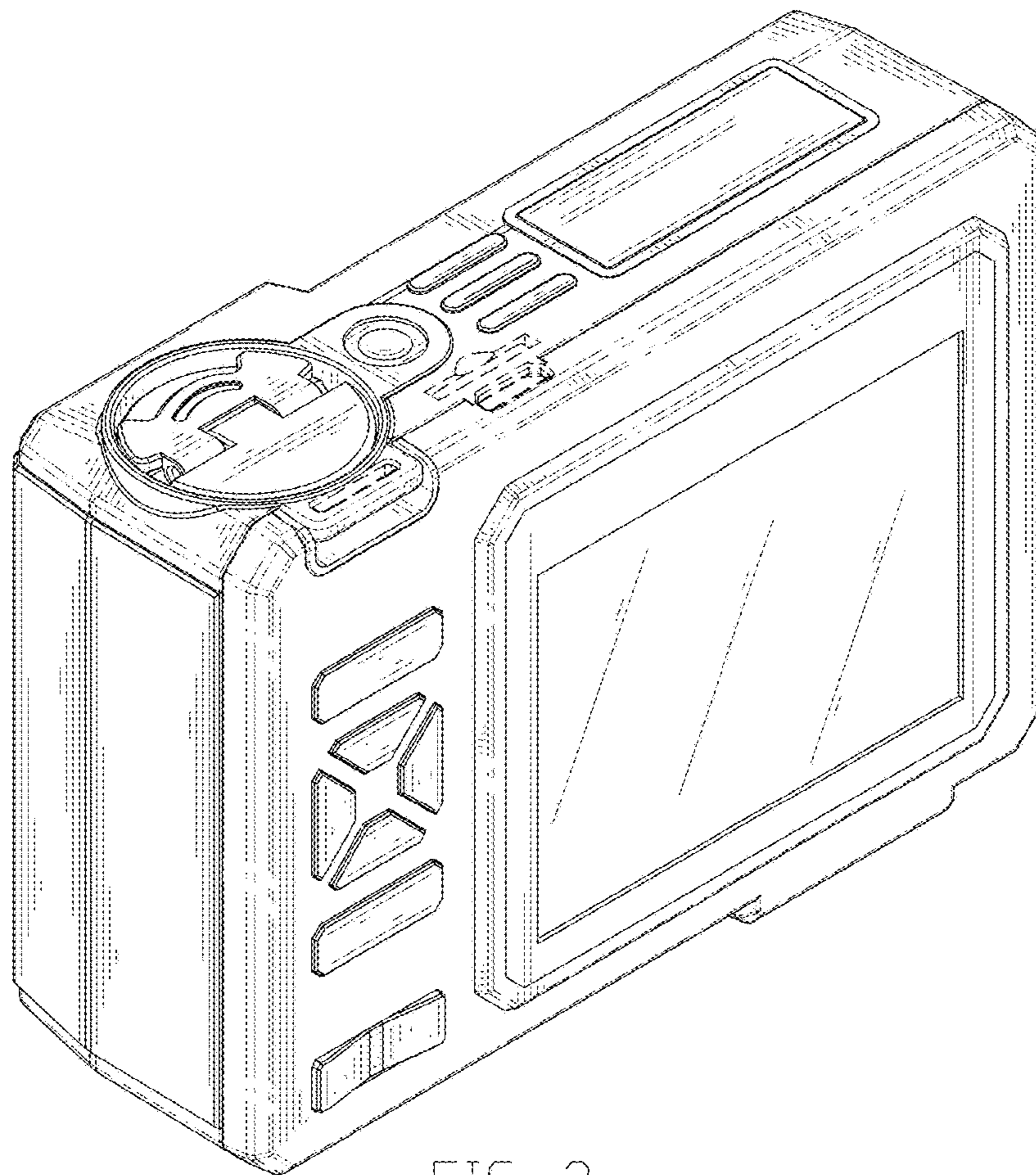


FIG. 3

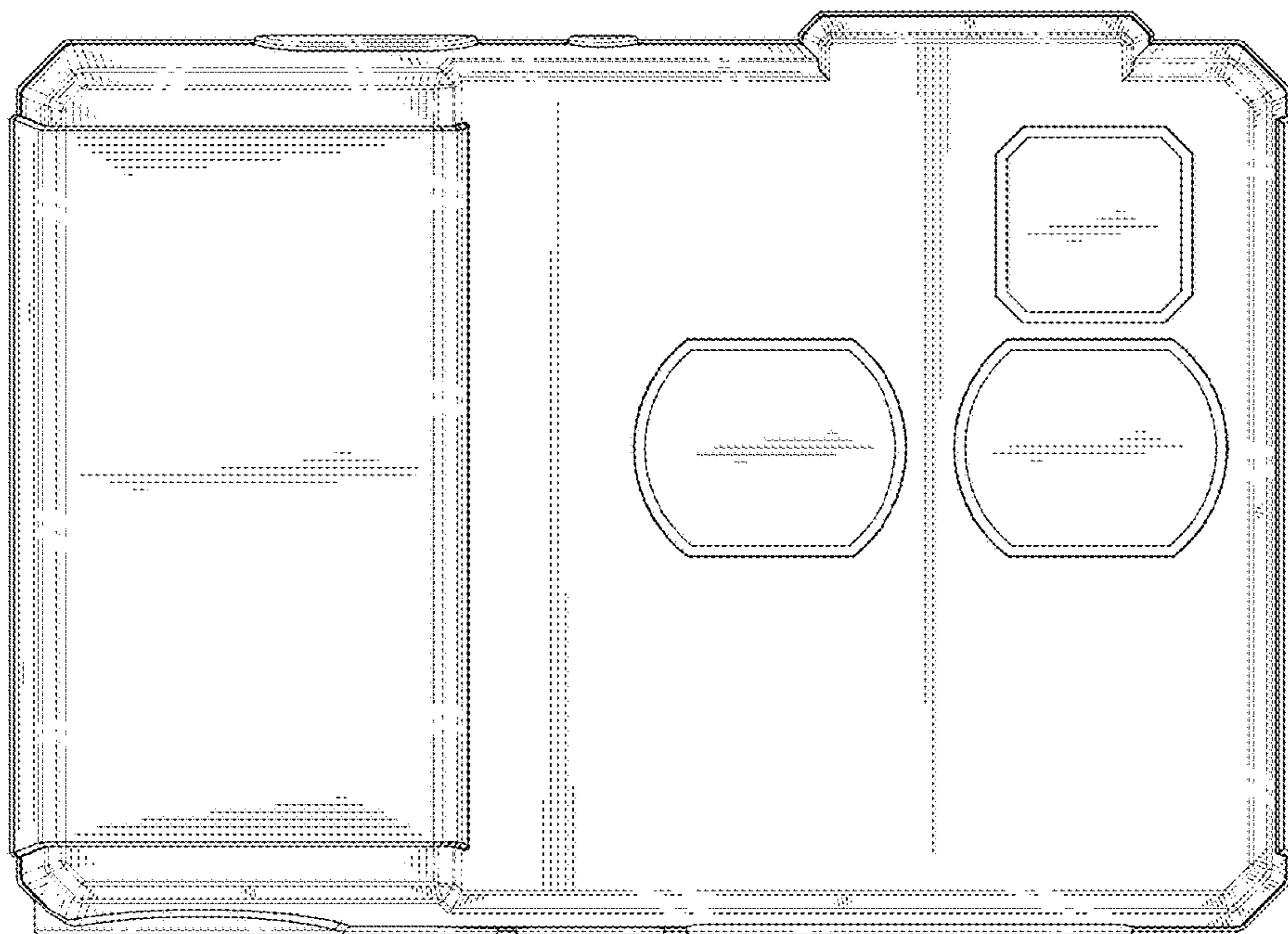


FIG. 4

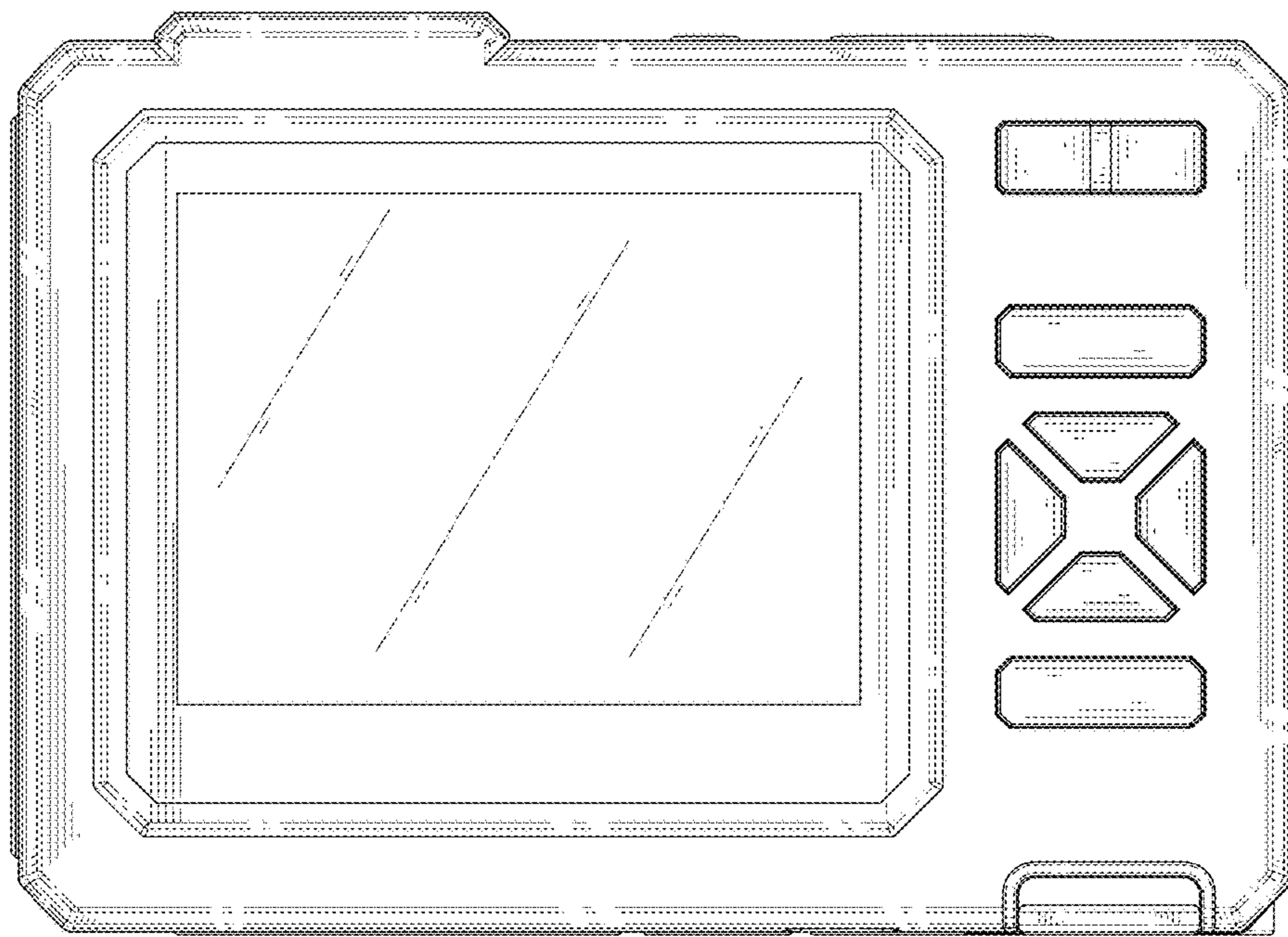


FIG. 5

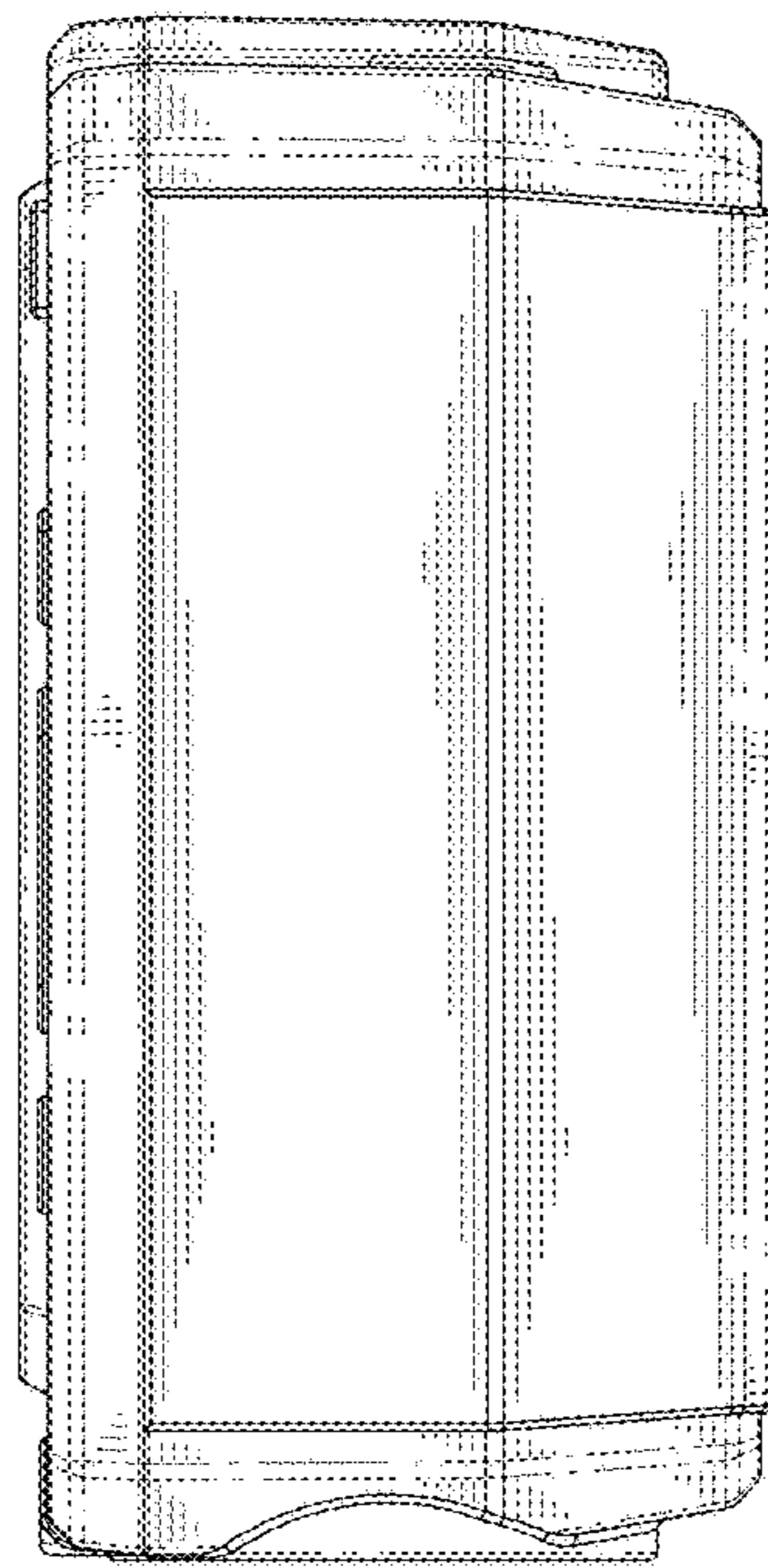


FIG. 6

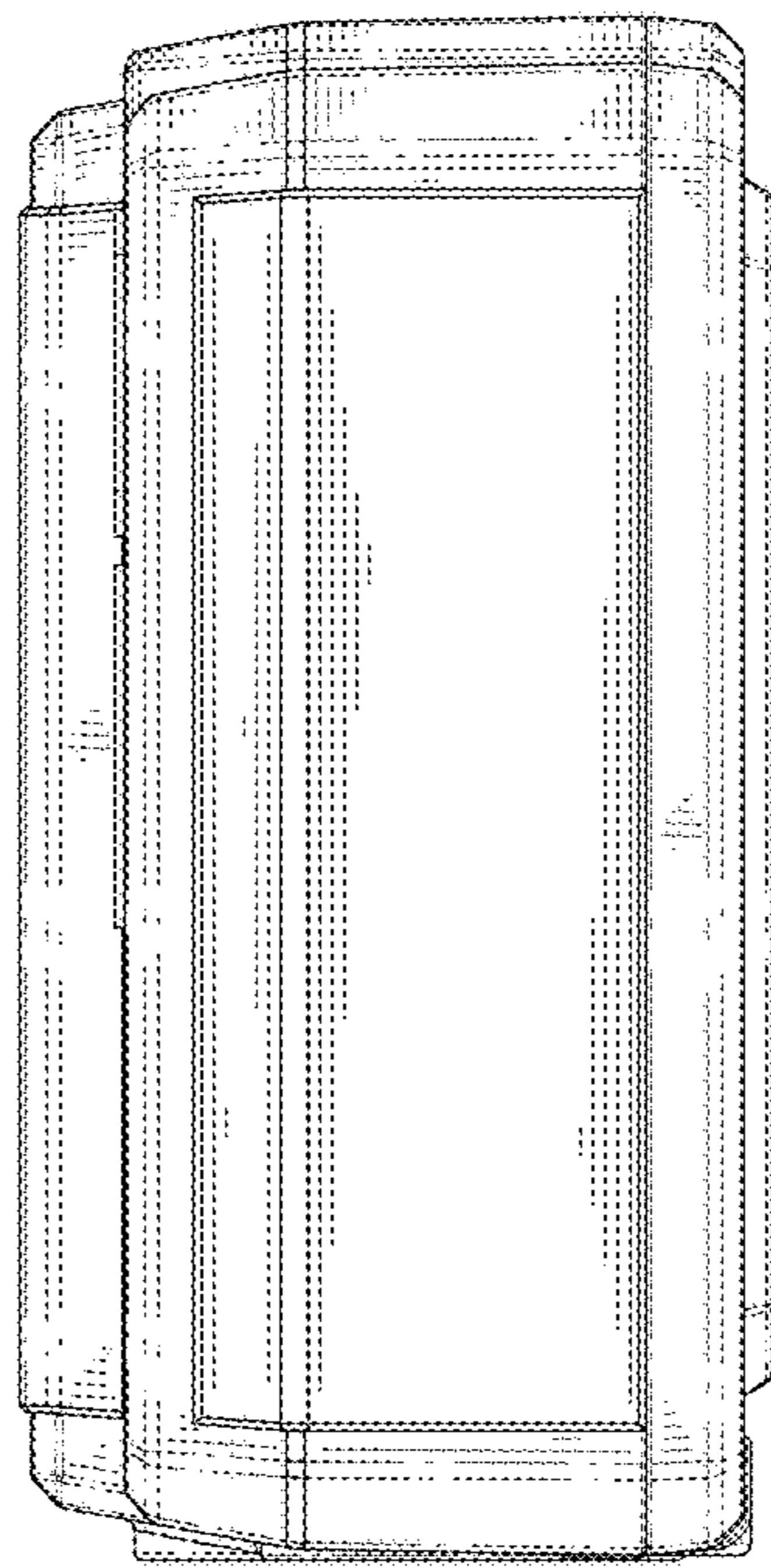


FIG. 7

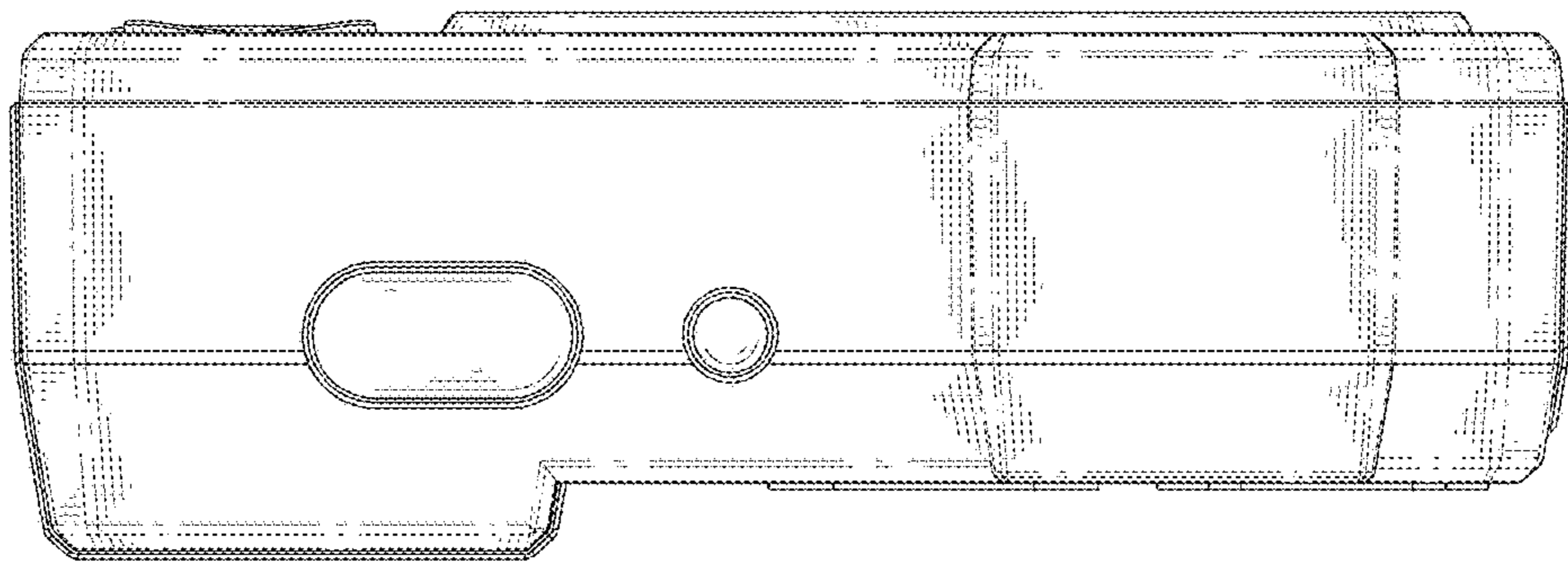


FIG. 8

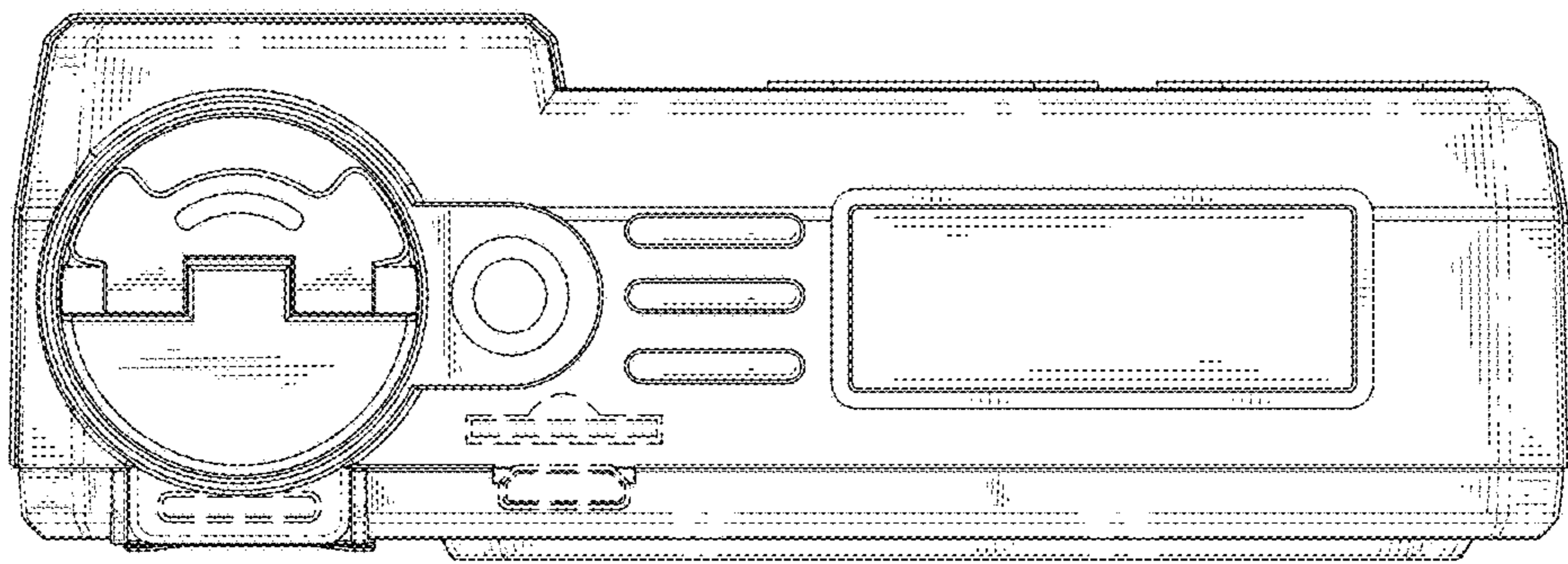


FIG. 9