



US00D861508S

(12) **United States Design Patent**
Ejiri et al.

(10) **Patent No.:** **US D861,508 S**

(45) **Date of Patent:** **** Oct. 1, 2019**

(54) **CLOTHING-MOUNTED TEMPERATURE METER**

(71) Applicant: **KONICA MINOLTA, INC.**,
Chiyoda-ku, Tokyo (JP)

(72) Inventors: **Ayami Ejiri**, Hachioji (JP); **Seitaro Taniguchi**, Tokyo (JP)

(73) Assignee: **KONICA MINOLTA, INC.**,
Chiyoda-Ku, Tokyo (JP)

(**) Term: **15 Years**

(21) Appl. No.: **29/643,606**

(22) Filed: **Apr. 10, 2018**

(30) **Foreign Application Priority Data**

Oct. 10, 2017 (JP) 2017-022385
Mar. 22, 2018 (JP) 2018-006026

(51) **LOC (12) Cl.** **10-04**

(52) **U.S. Cl.**
USPC **D10/57**

(58) **Field of Classification Search**
USPC D10/57
CPC A61B 2560/0242; A61B 2560/0266; A61B
2560/0271; A61B 2560/04; A61B
2560/0406; A61B 2560/0412; A61B
2562/16; A61B 2562/162; A61B
2562/164; A61B 2562/166; A61B
2562/168; A61B

(Continued)

(56) **References Cited**

U.S. PATENT DOCUMENTS

8,808,228 B2 * 8/2014 Brister A61B 5/0002
604/66
D751,932 S * 3/2016 Chong D10/57

(Continued)

Primary Examiner — Antoine Duval Davis

(74) *Attorney, Agent, or Firm* — Buchanan Ingersoll & Rooney PC

(57) **CLAIM**

The ornamental design for a clothing-mounted temperature meter, as shown and described.

DESCRIPTION

FIG. 1 is a front elevational view of a clothing-mounted temperature meter in accordance with a first embodiment showing our new design;

FIG. 2 is a back elevational view thereof;

FIG. 3 is a right side view thereof;

FIG. 4 is a left side view thereof;

FIG. 5 is a top plan view thereof;

FIG. 6 is a bottom plan view thereof;

FIG. 7 is a first perspective view thereof;

FIG. 8 is a second perspective view thereof;

FIG. 9 is a right side view in which a clip is rotated;

FIG. 10 is a first perspective view in which the clip is rotated;

FIG. 11 is a second perspective view of only a main body, without the clip;

FIG. 12 is a third perspective view in which only the clip is reversed;

FIG. 13 is a front elevational view of a clothing-mounted temperature meter in accordance with a second embodiment showing our new design;

FIG. 14 is a back elevational view thereof;

FIG. 15 is a right side view thereof;

FIG. 16 is a left side view thereof;

FIG. 17 is a top plan view thereof;

FIG. 18 is a bottom plan view thereof;

FIG. 19 is a first perspective view thereof;

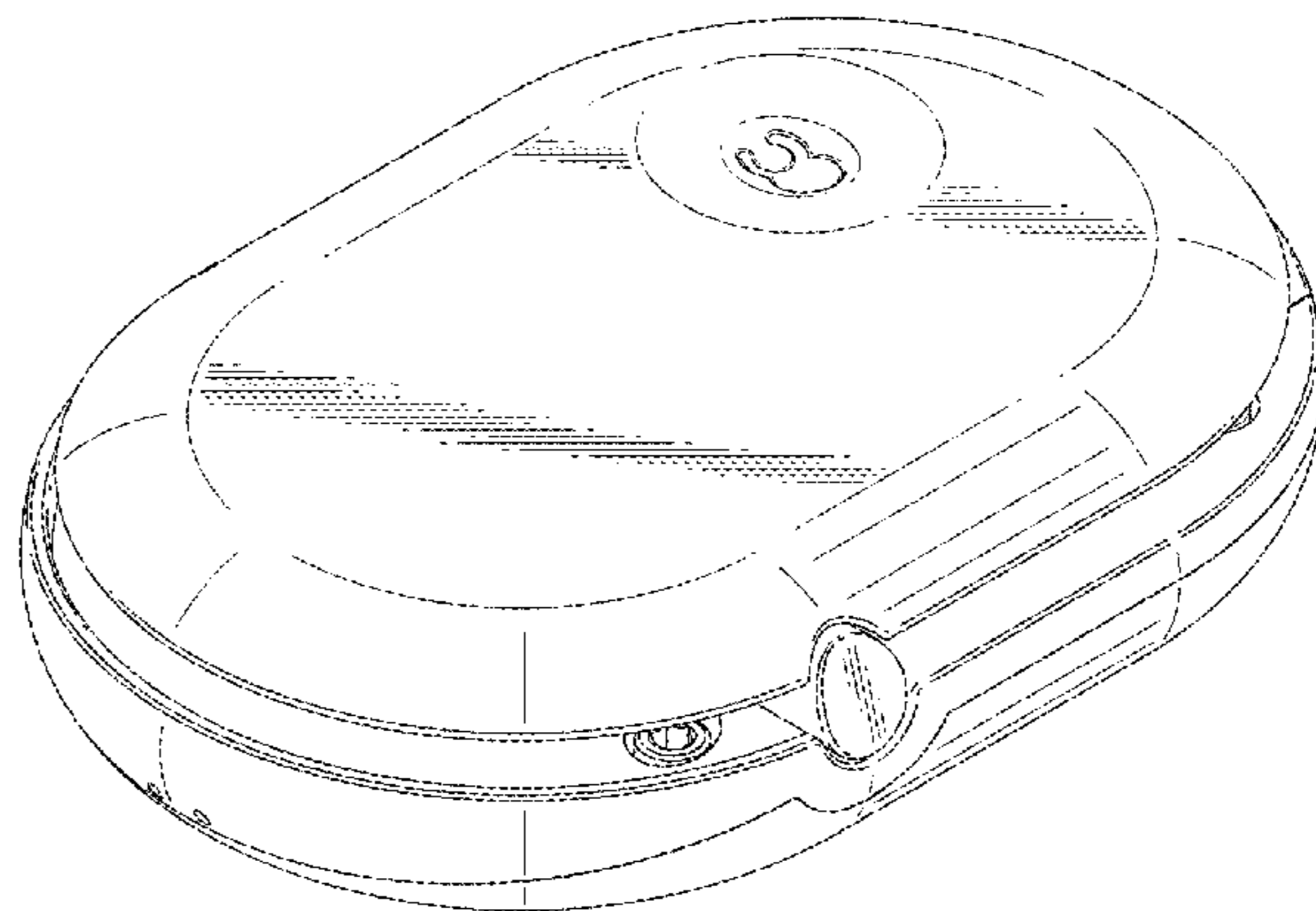
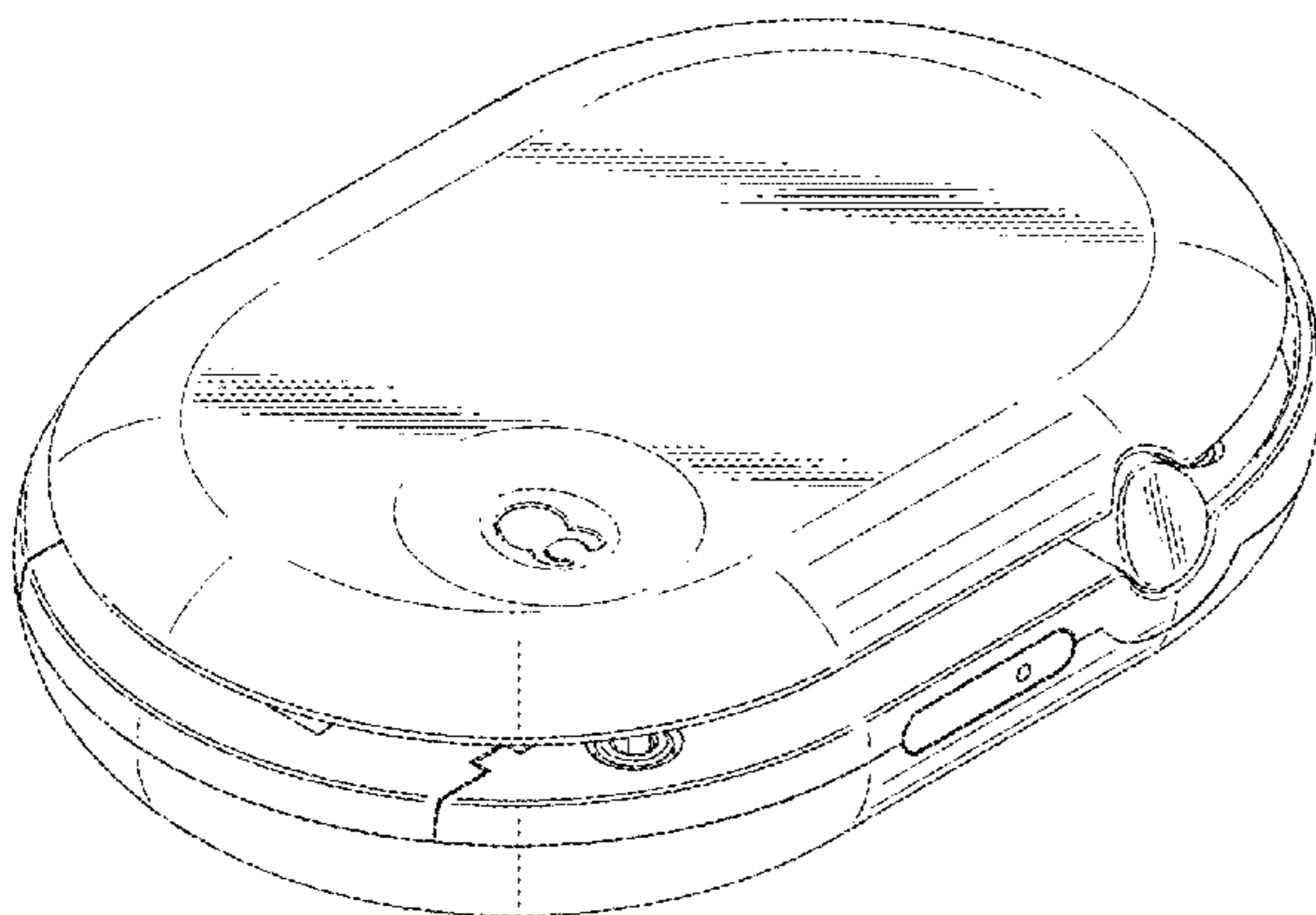
FIG. 20 is a second perspective view thereof;

FIG. 21 is a third perspective view thereof;

FIG. 22 is a right side view in which a clip is pivoted; and,

FIG. 23 is a perspective view in which the clip is pivoted.

1 Claim, 12 Drawing Sheets



(58) **Field of Classification Search**

CPC .. 2562/0271; A61B 2562/0272; A61B 5/0008;
G01K 1/00; G01K 1/02; G01K 1/022;
G01K 1/024; G01K 1/026; G01K
2201/02; G01K 2207/00; G01K 2207/02;
G01K 2207/04; G01K 2207/06; G01K
2207/08

See application file for complete search history.

(56) **References Cited**

U.S. PATENT DOCUMENTS

D766,113	S *	9/2016	Dohi	D10/57
9,439,574	B2 *	9/2016	McCombie	A61B 5/02427
9,439,599	B2 *	9/2016	Thompson	A61B 5/0006
D795,100	S *	8/2017	Alla	D10/57
9,872,525	B2 *	1/2018	Lee	A41D 1/002
D809,945	S *	2/2018	Prommel	D10/57

* cited by examiner

FIG.1

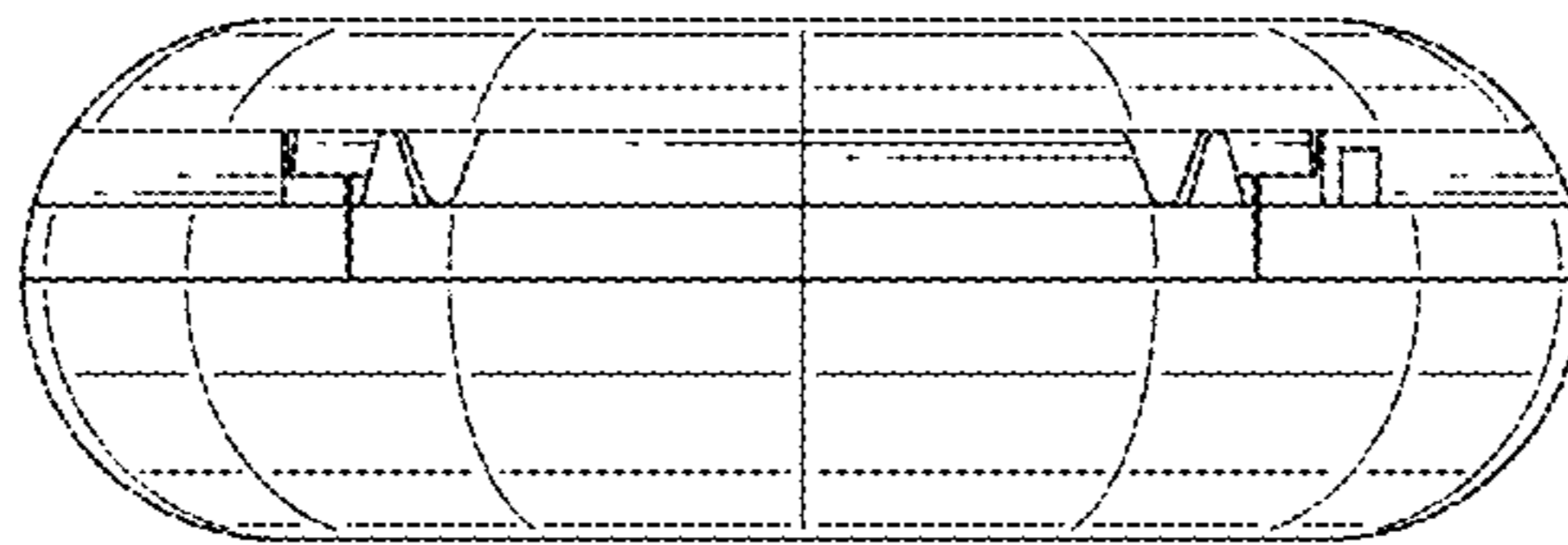


FIG.2

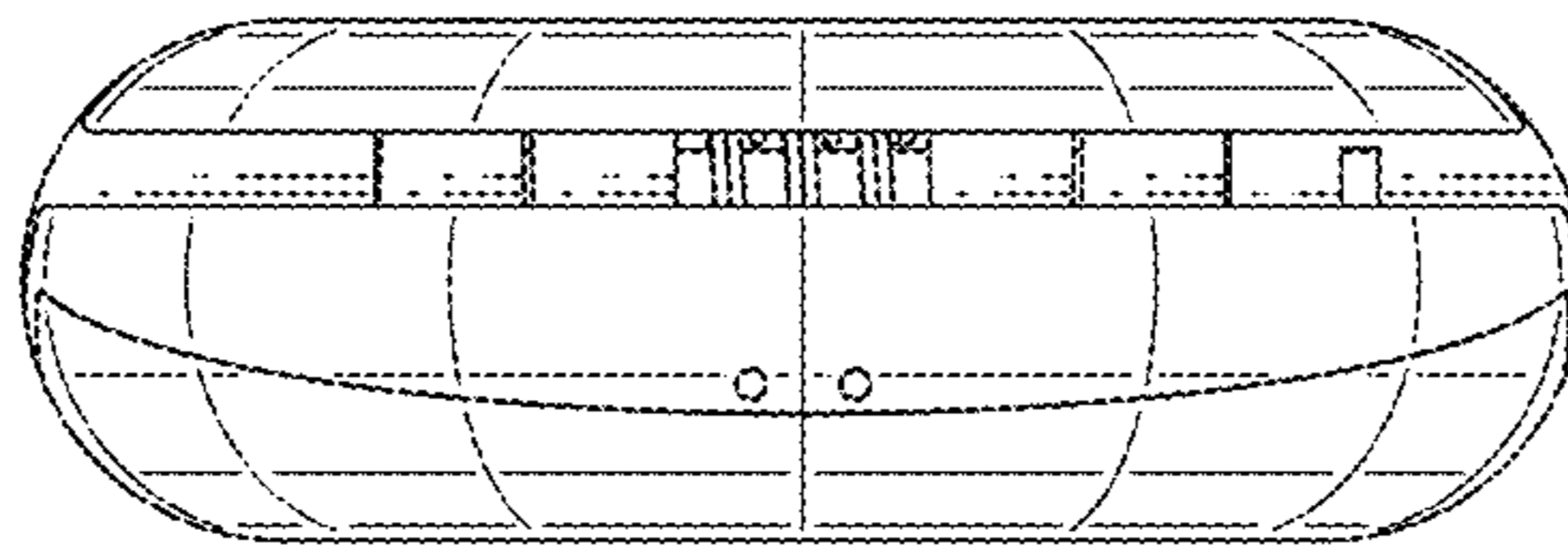


FIG.3

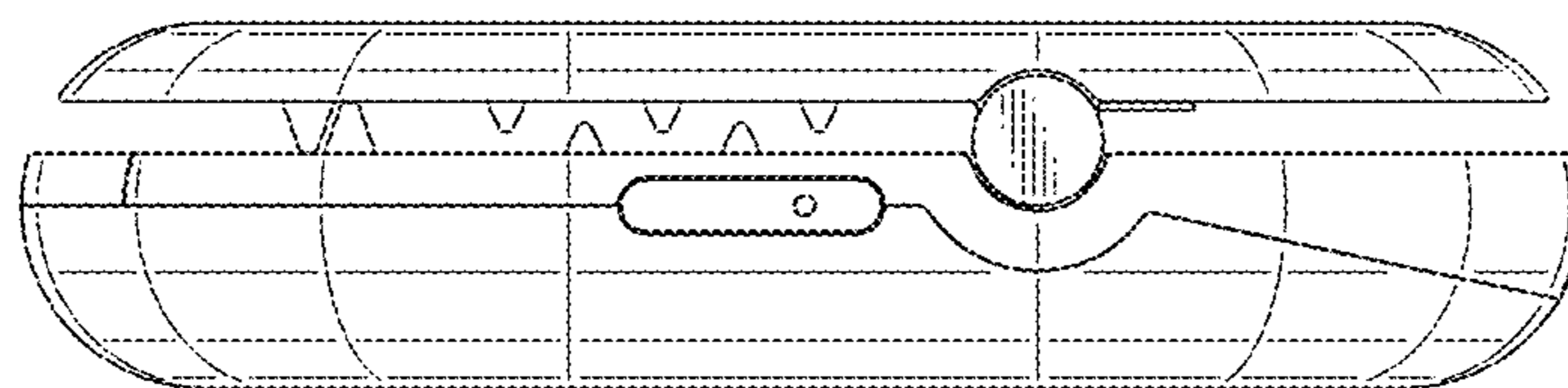


FIG.4

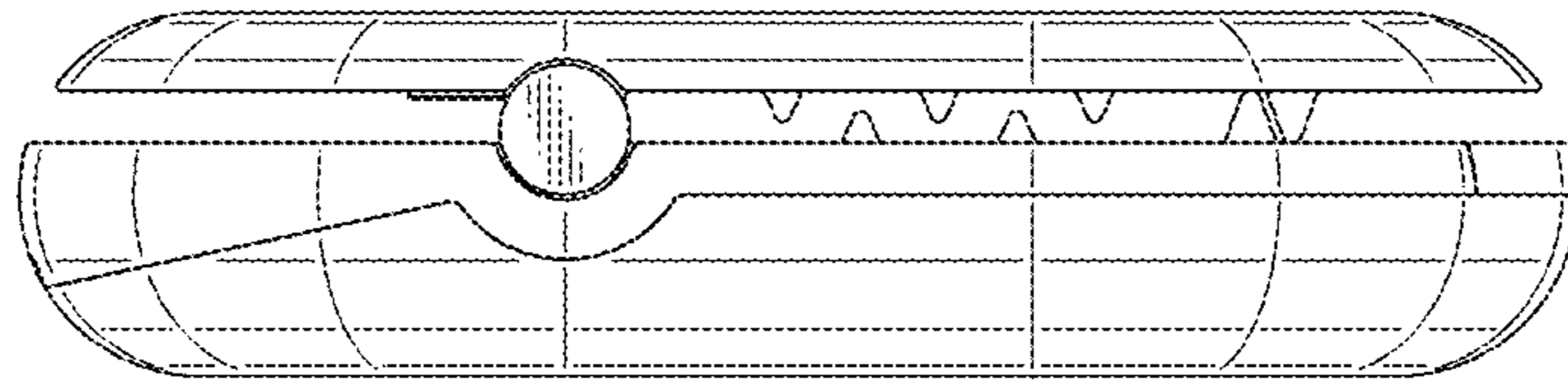


FIG.5

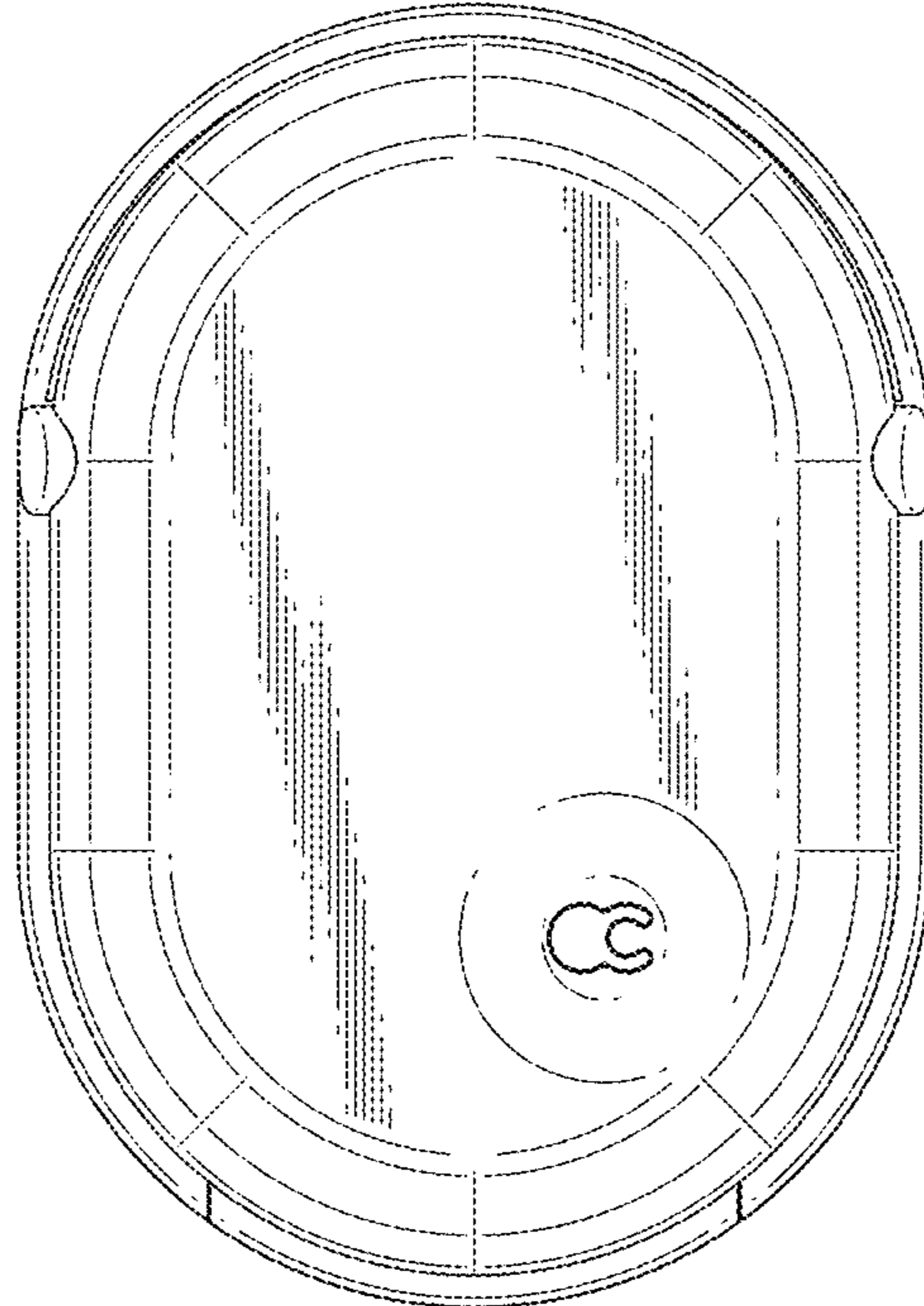


FIG.6

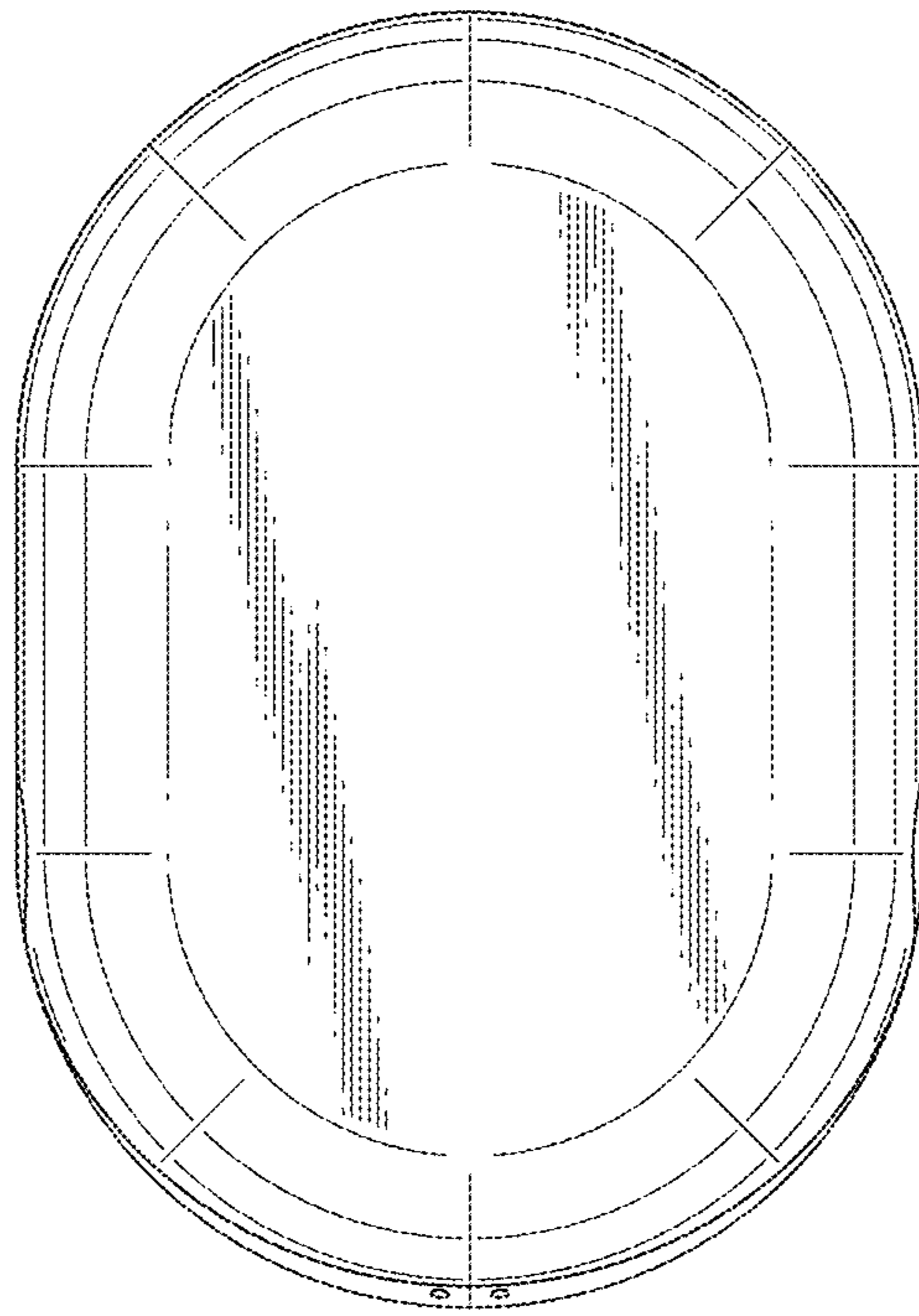


FIG.7

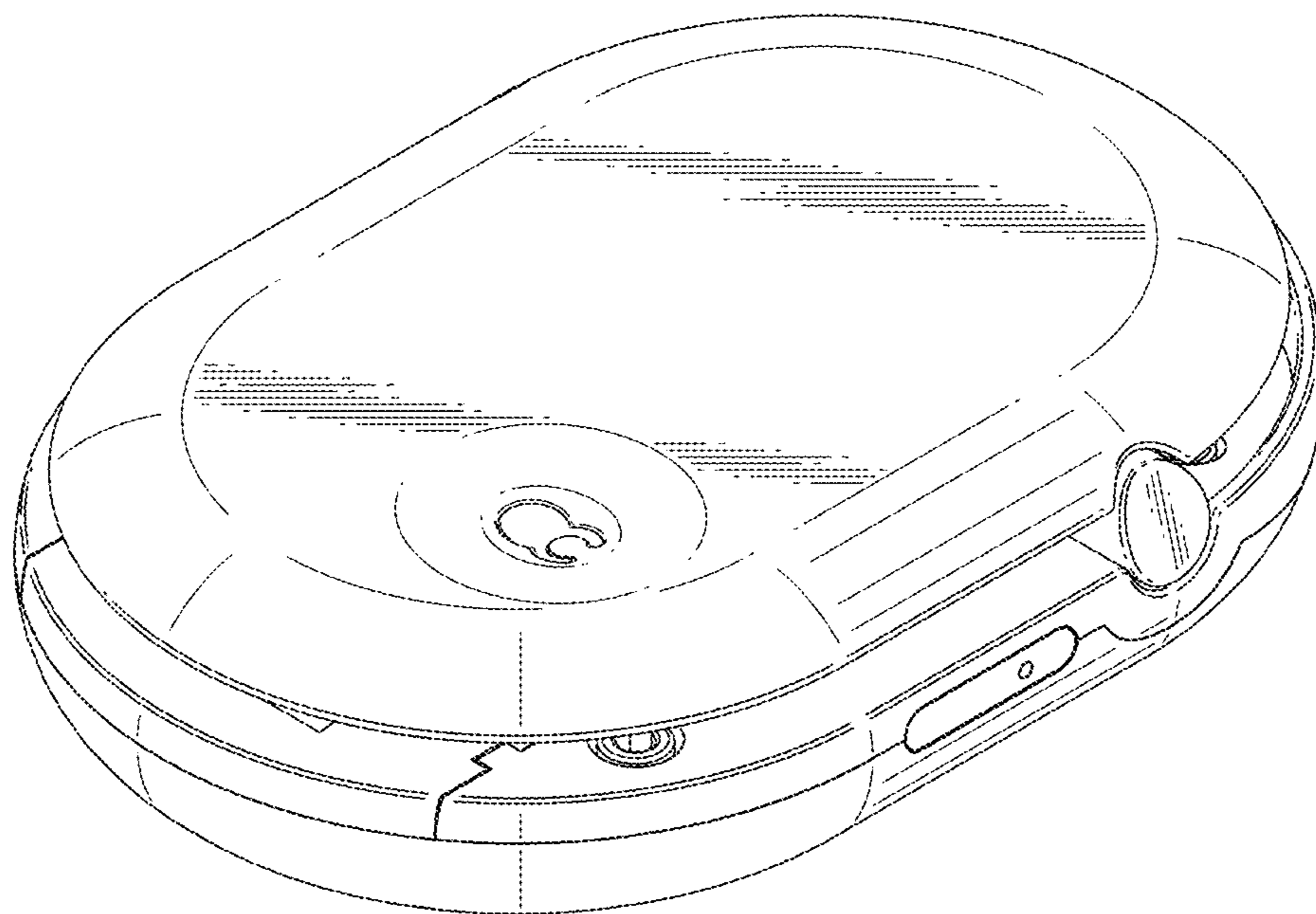


FIG.8

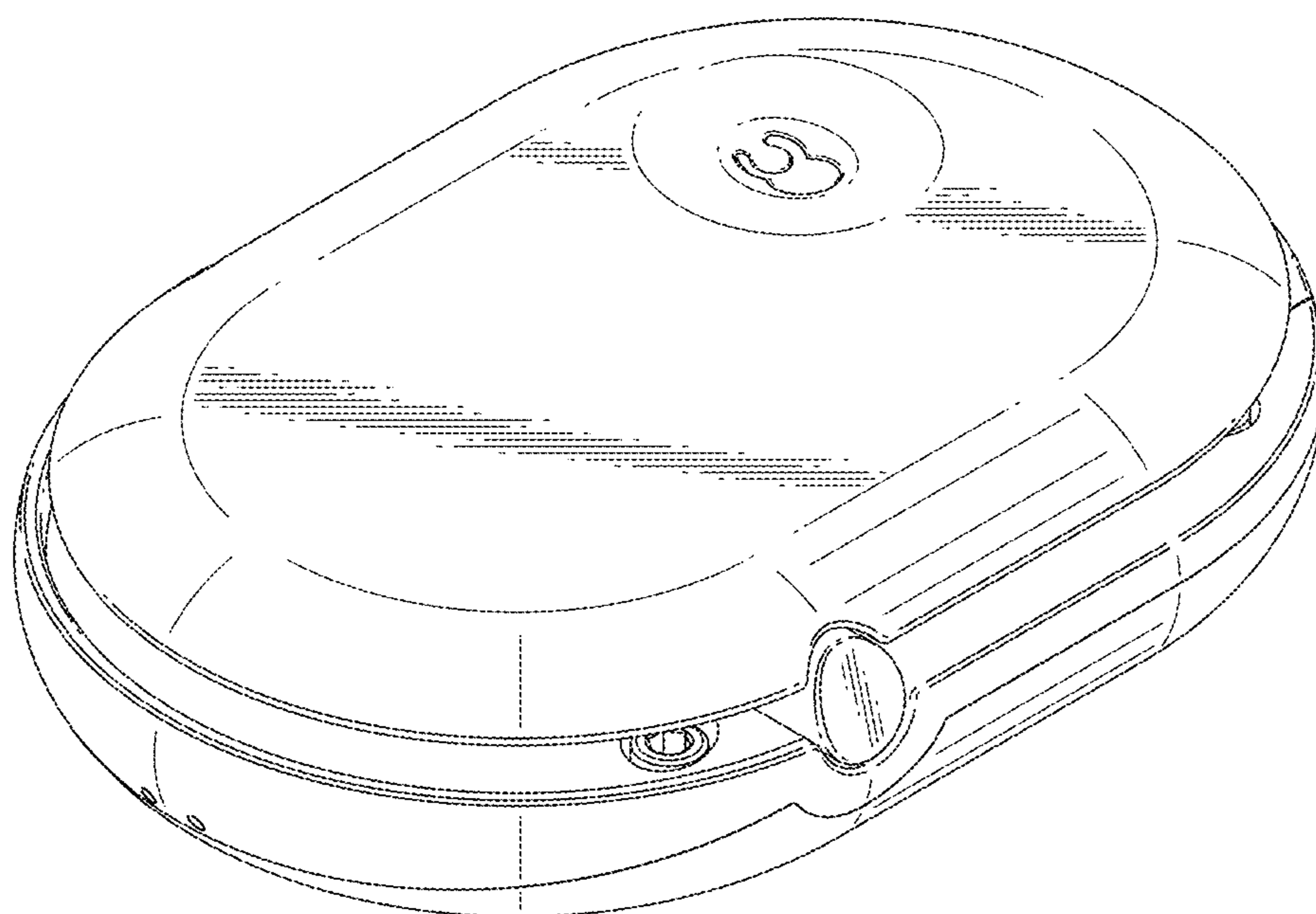


FIG.9

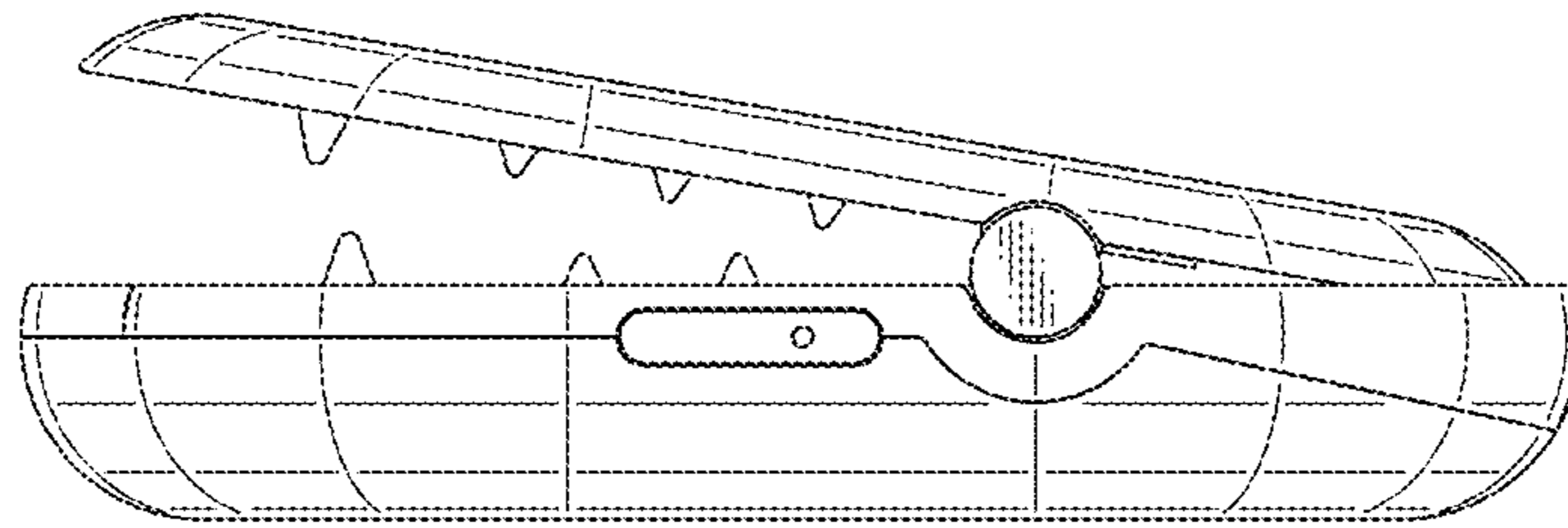


FIG.10

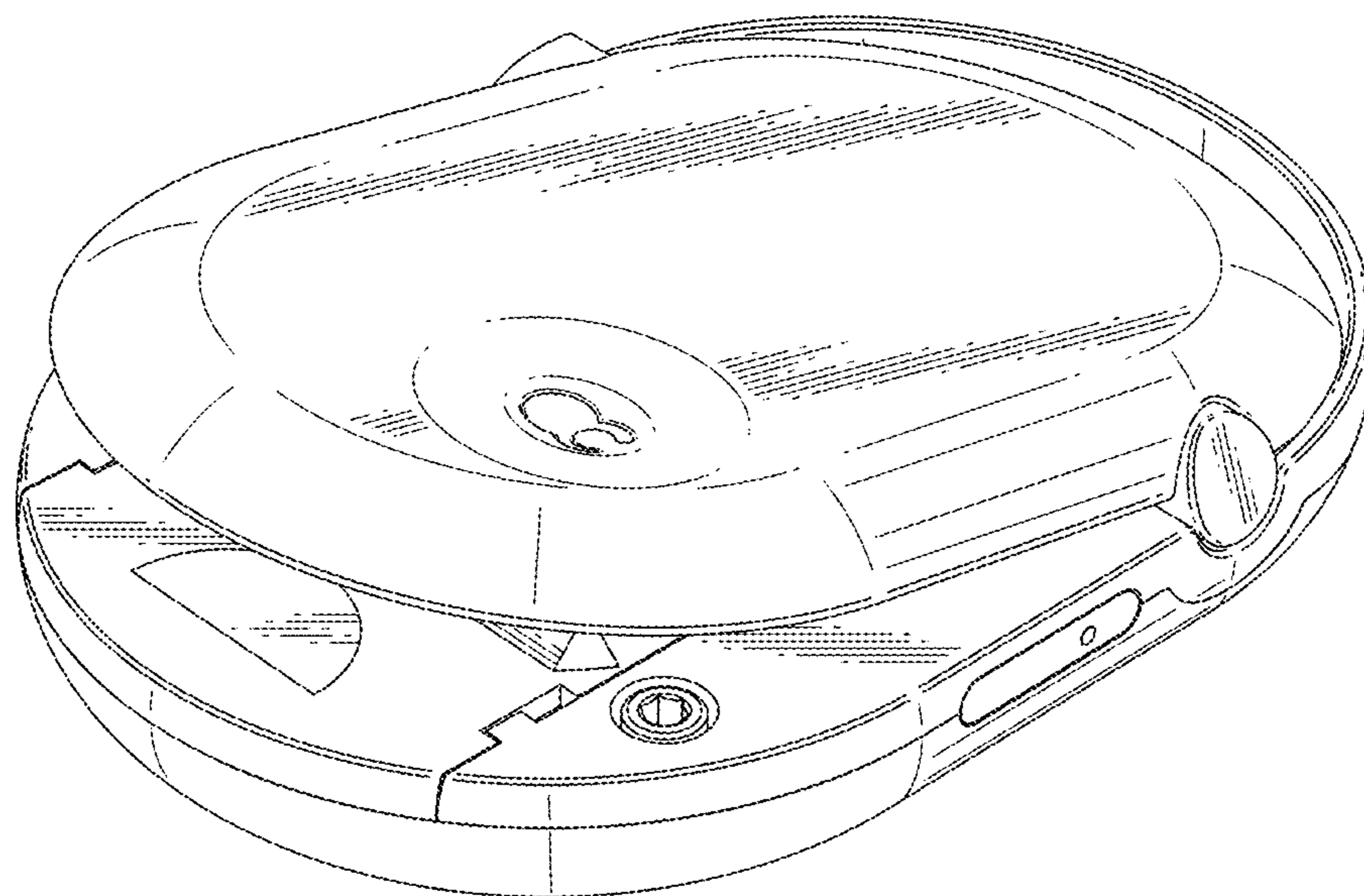


FIG.11

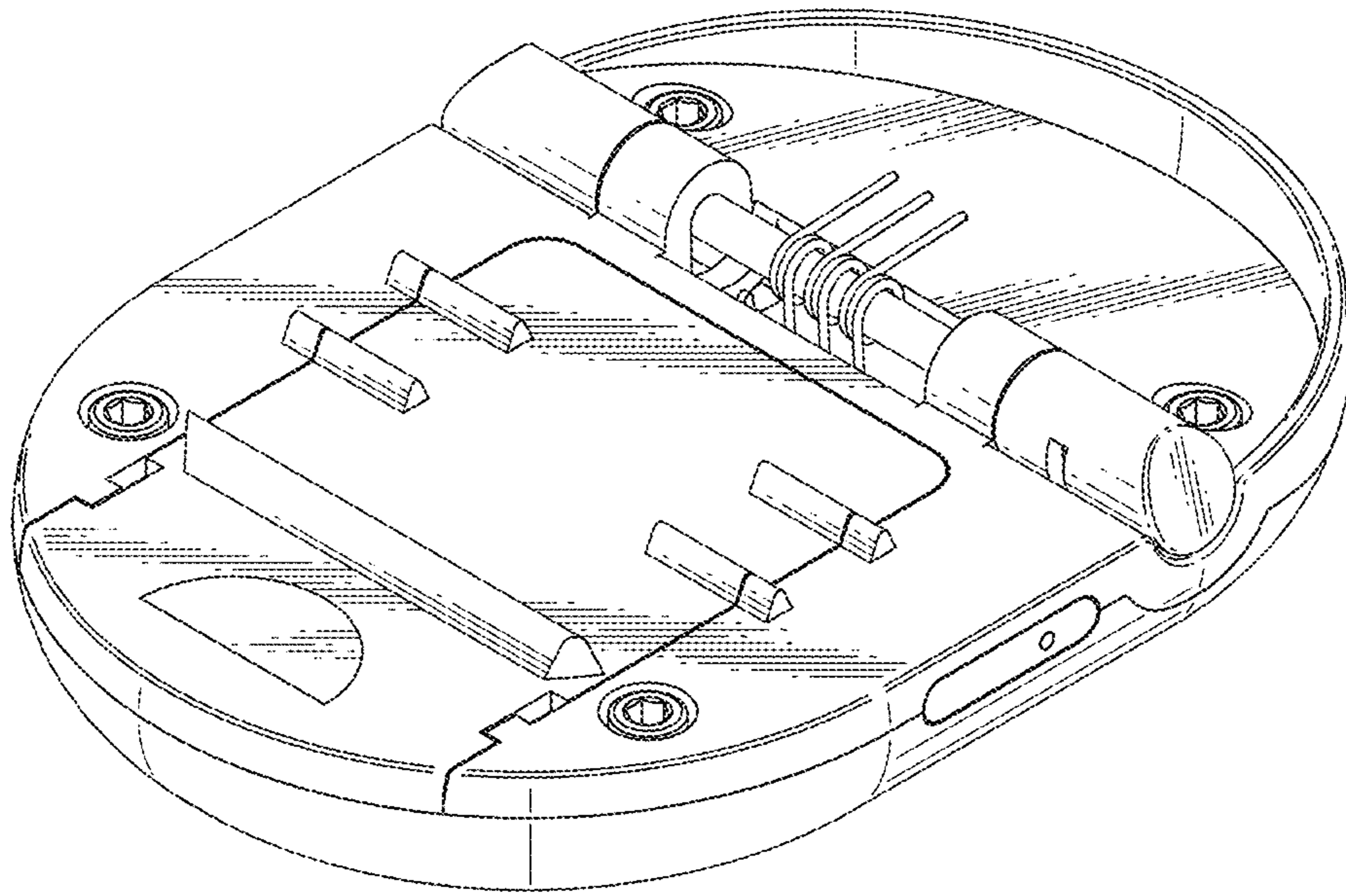


FIG.12

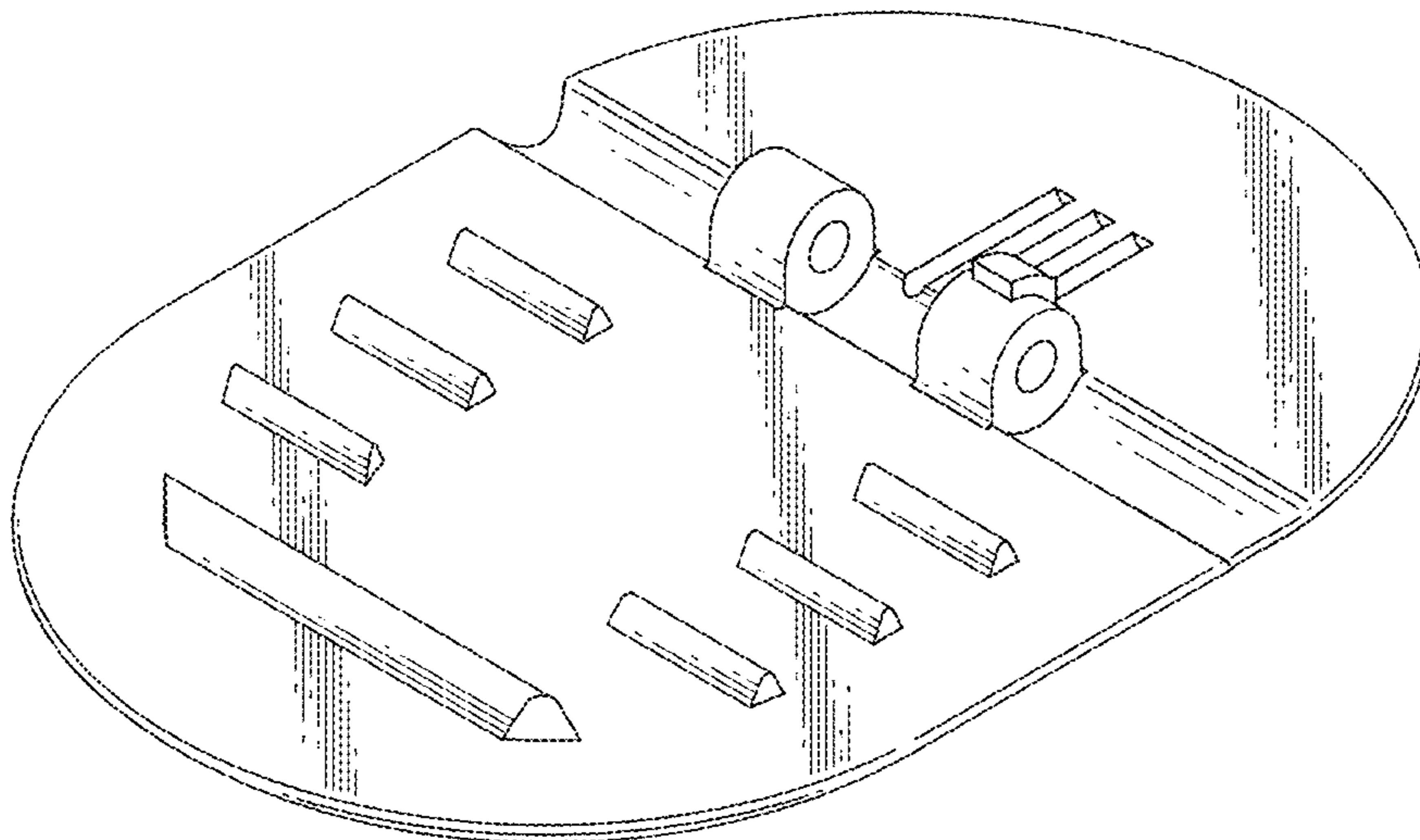


FIG.13

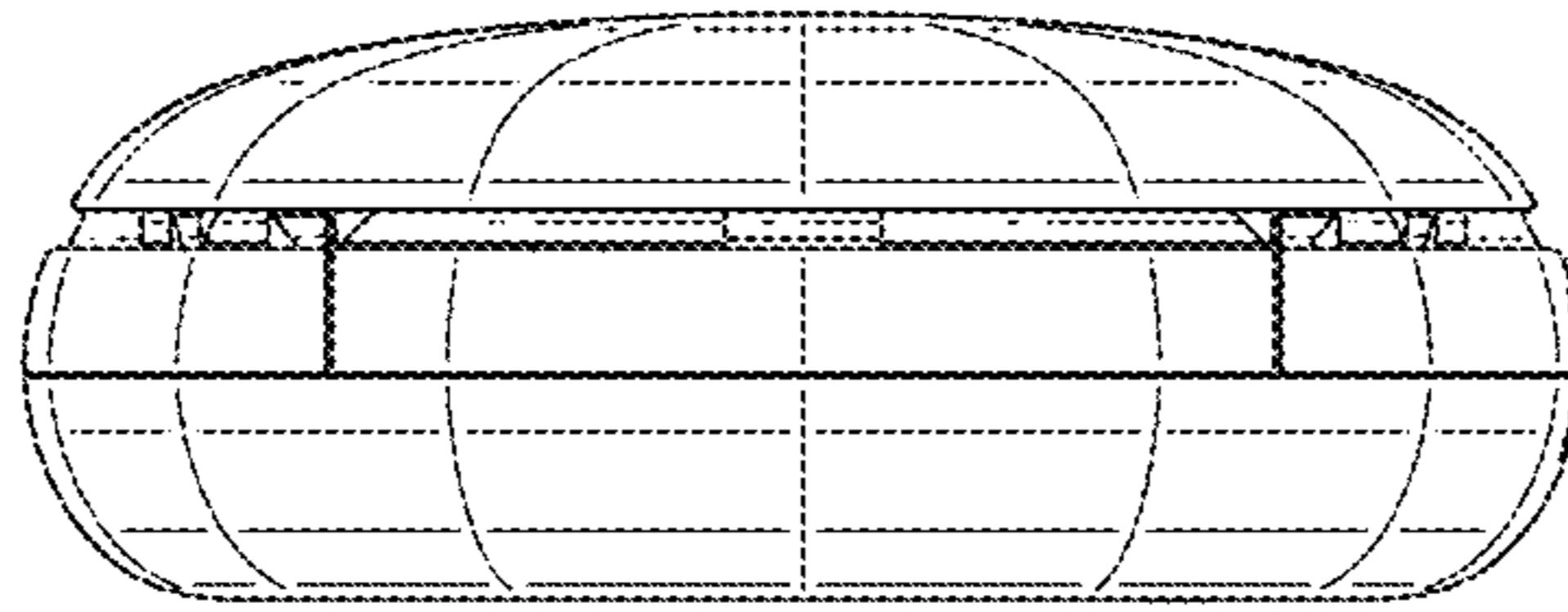


FIG.14

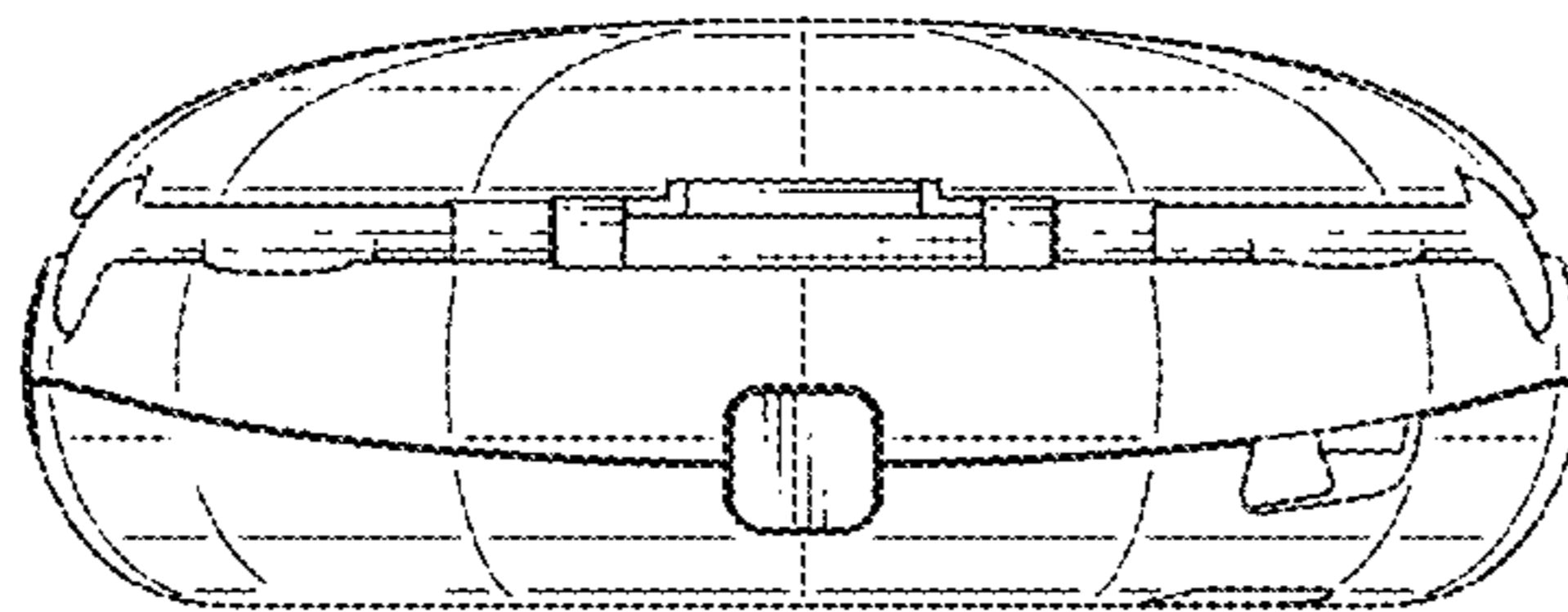


FIG.15

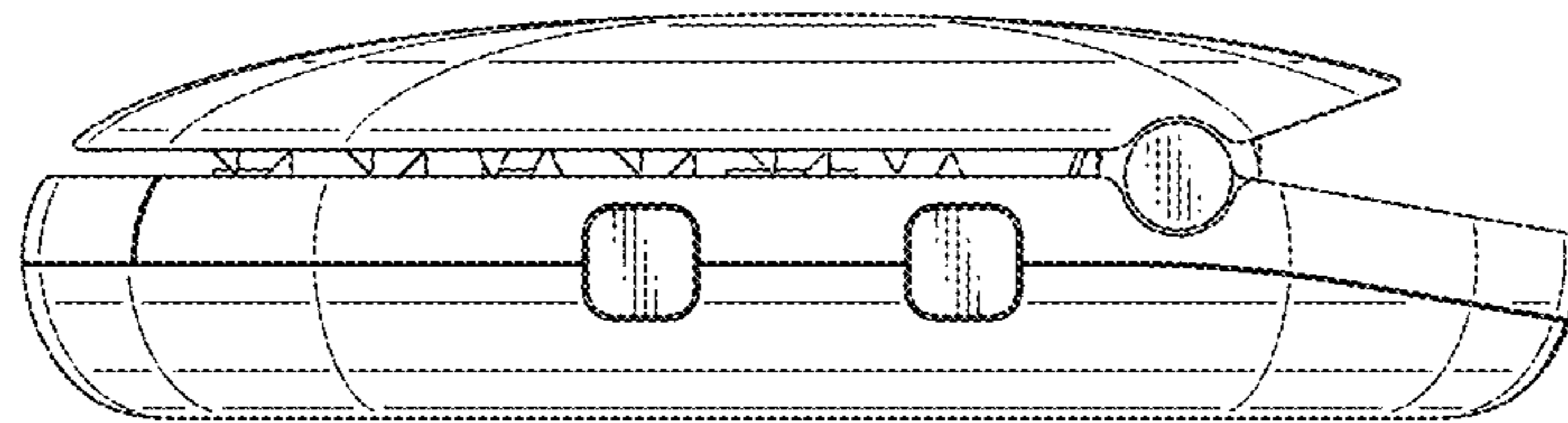


FIG.16

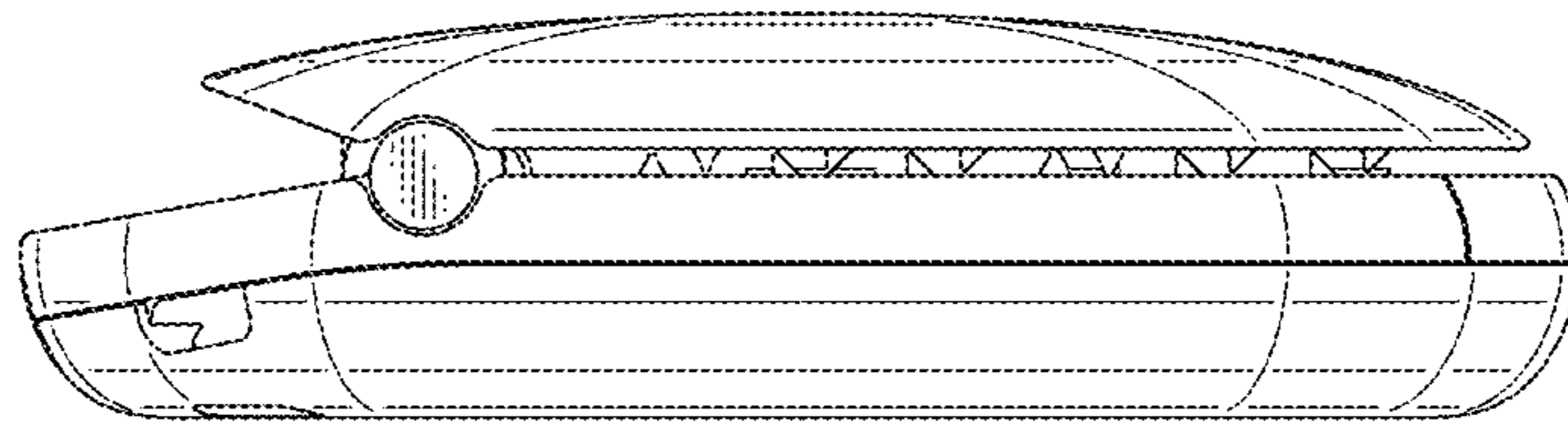


FIG.17

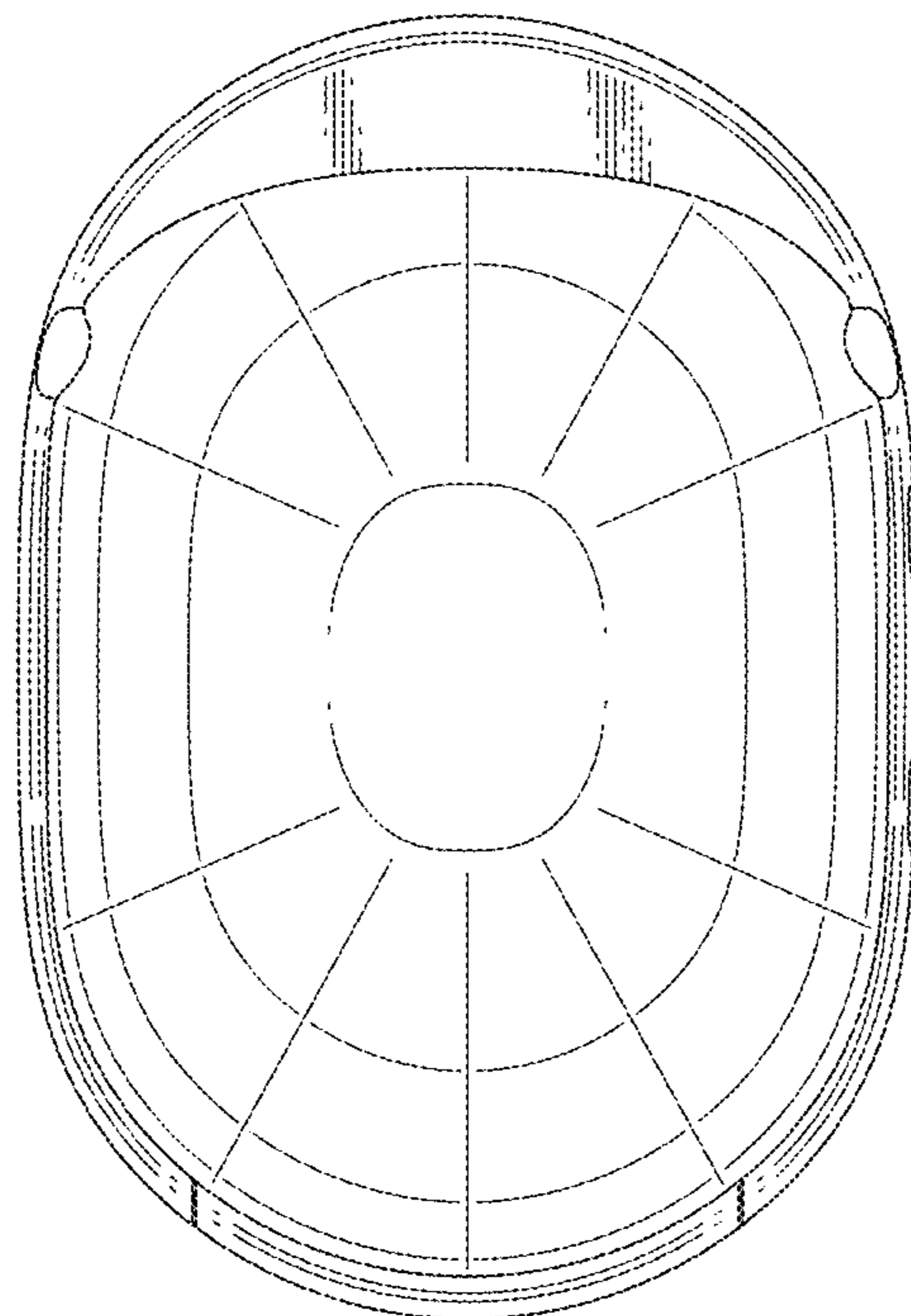


FIG.18

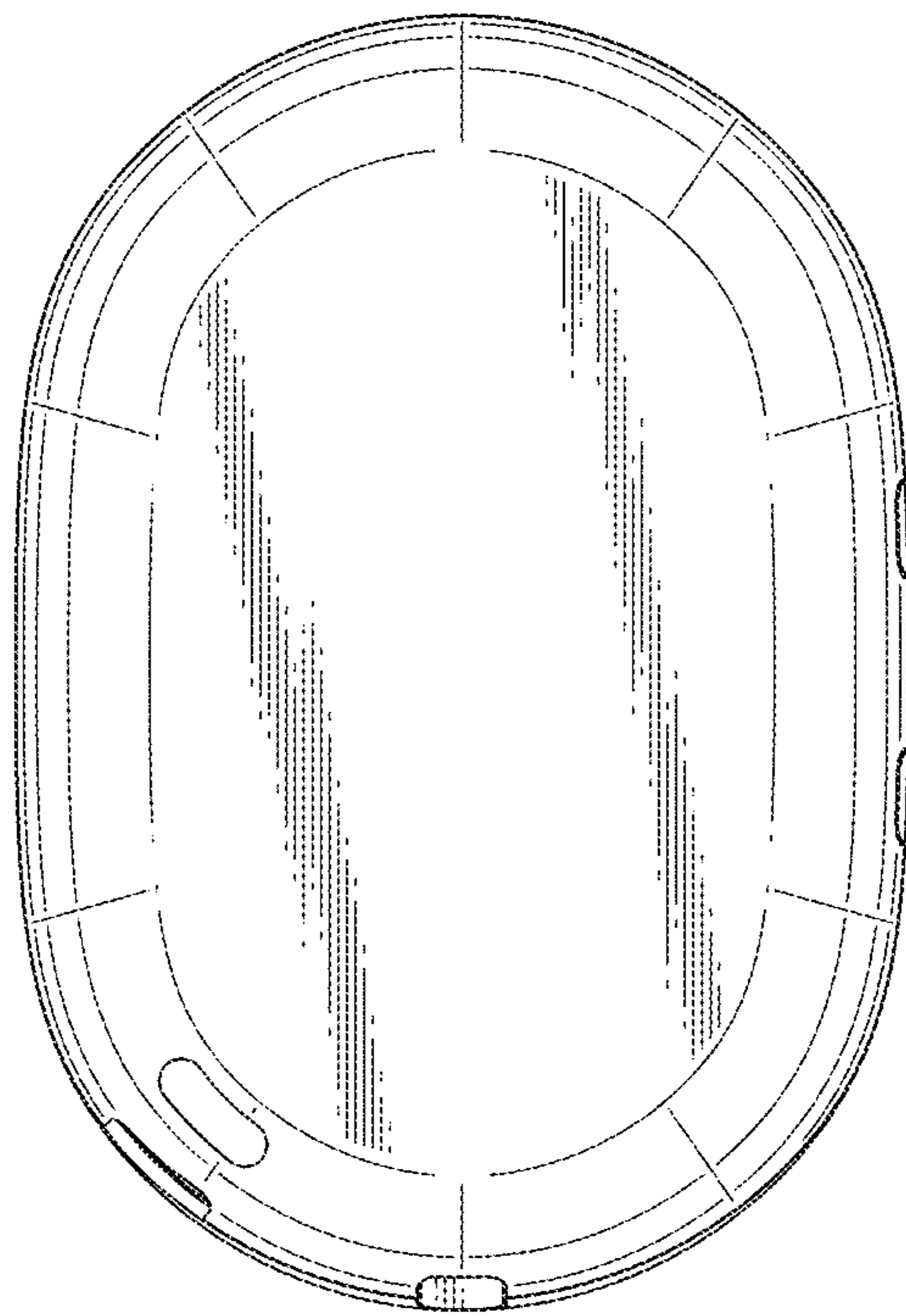


FIG.19

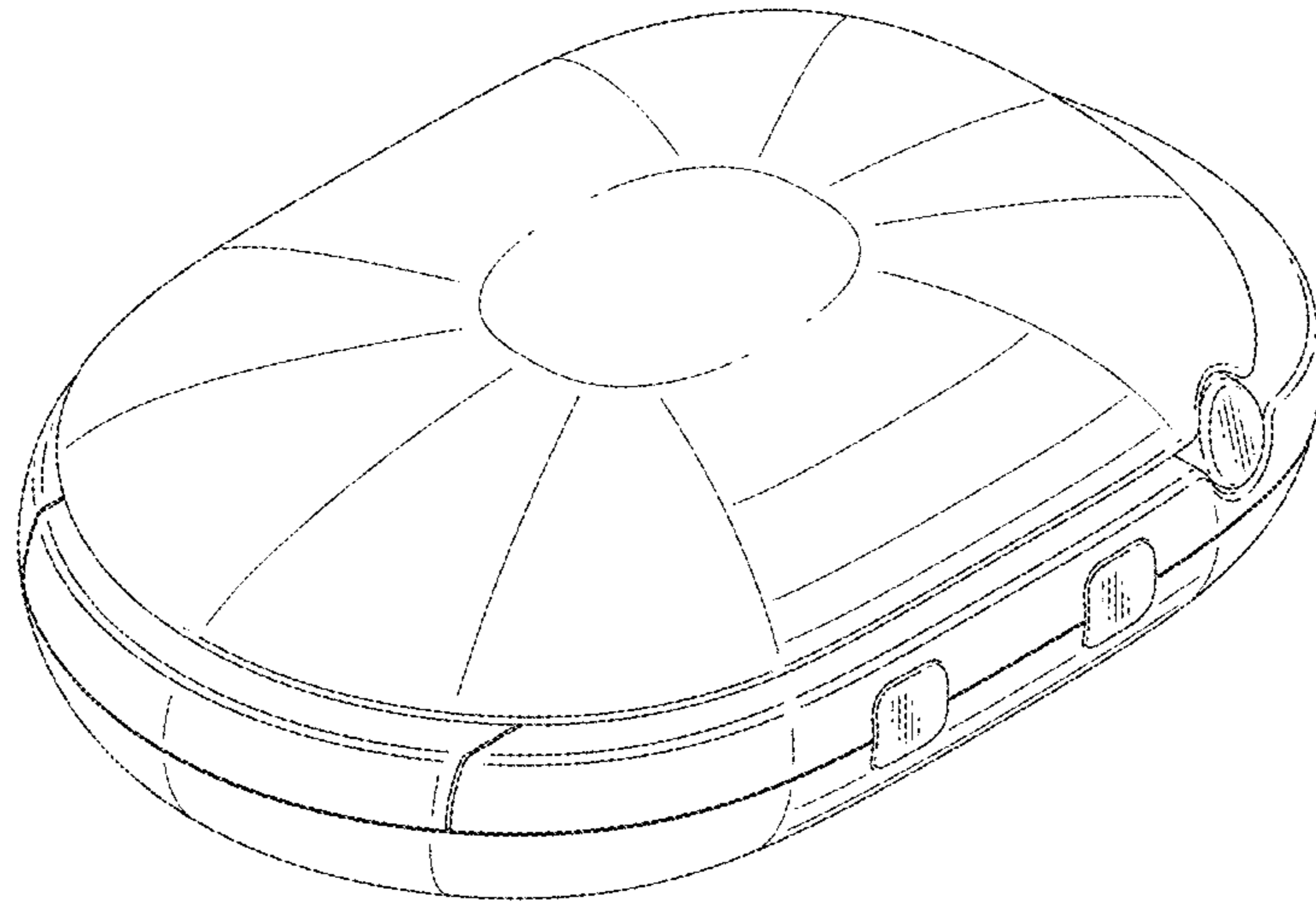


FIG.20

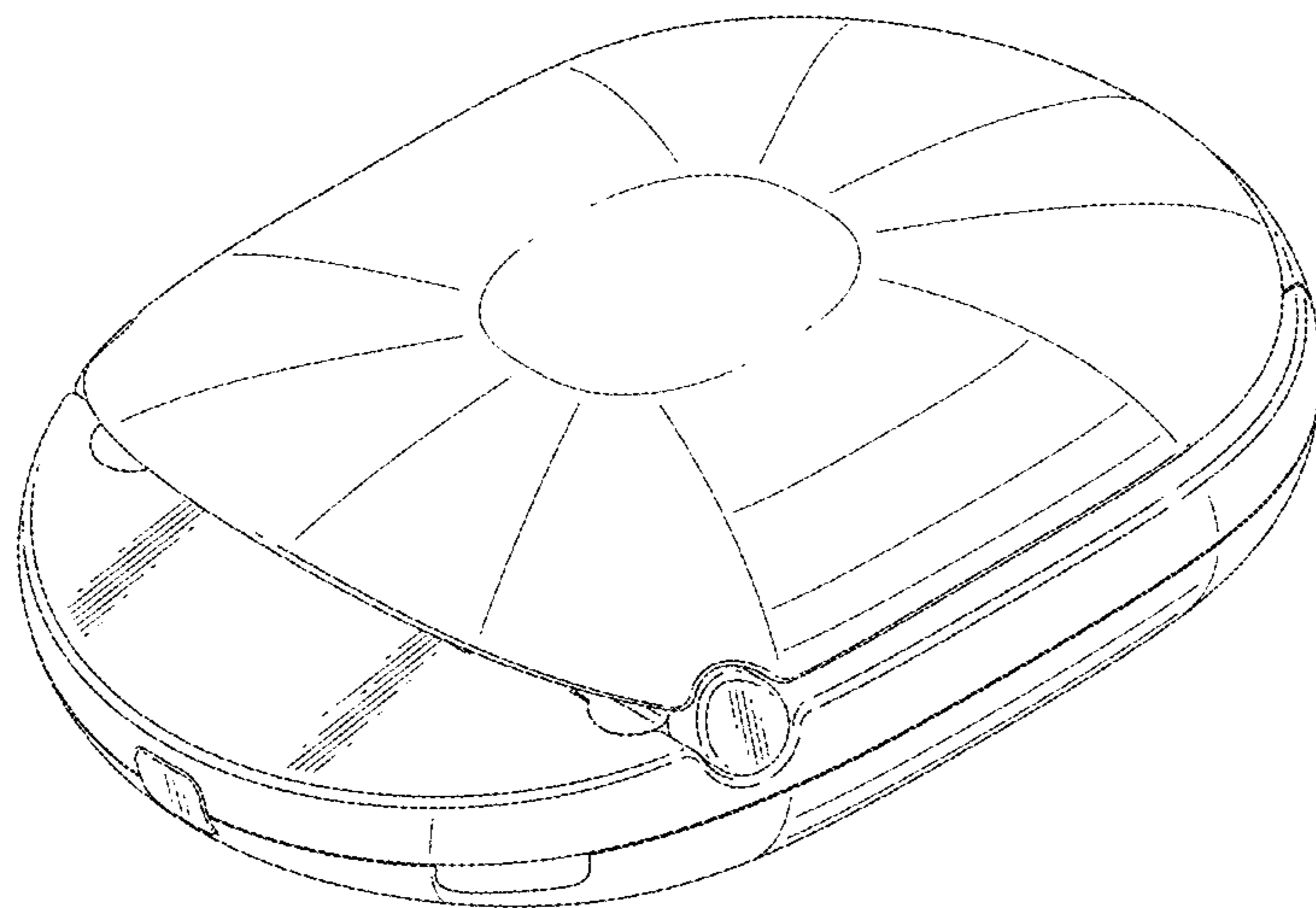


FIG.21

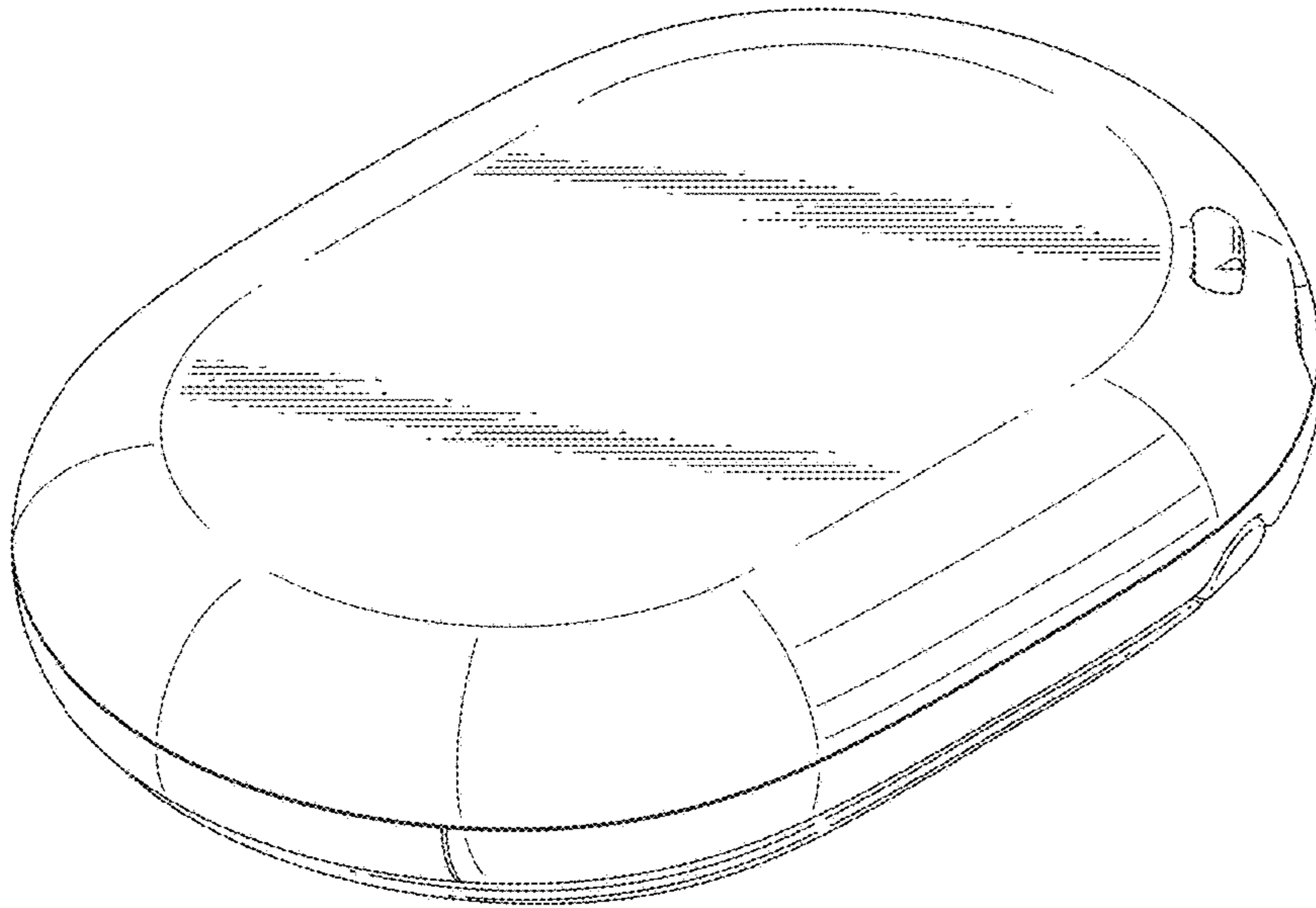


FIG.22

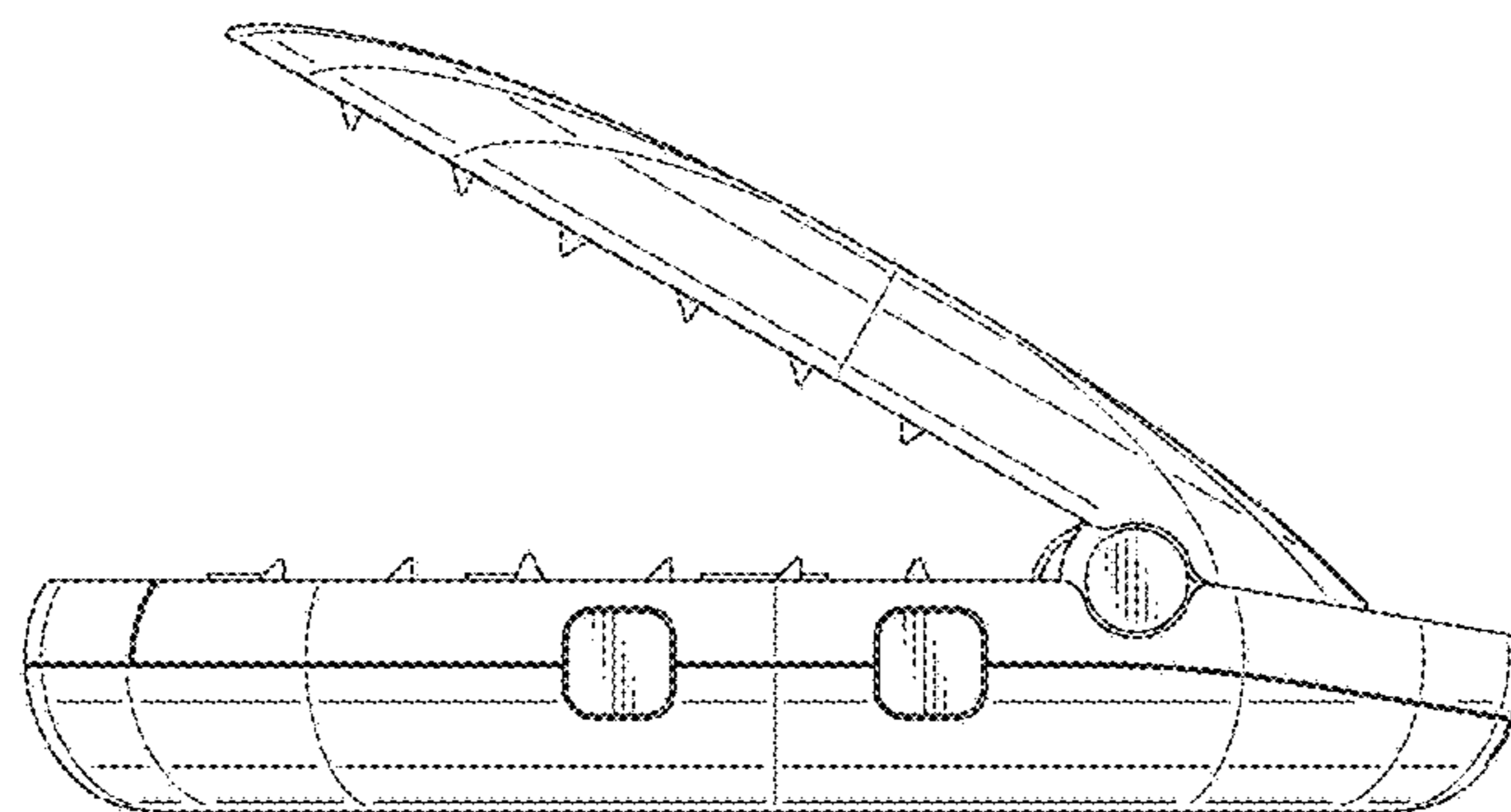


FIG.23

