



US00D861507S

(12) **United States Design Patent** (10) **Patent No.:** **US D861,507 S**
Gimenez (45) **Date of Patent:** **** Oct. 1, 2019**

(54) **WATCH**

(71) Applicant: **Cartier International AG**, Steinhausen (CH)

(72) Inventor: **Nicole Gimenez**, Mont-sur-Rolle (CH)

(73) Assignee: **Cartier International AG**, Steinhausen (CH)

(**) Term: **15 Years**

(21) Appl. No.: **29/634,544**

(22) Filed: **Jan. 23, 2018**

(30) **Foreign Application Priority Data**

Jul. 27, 2017 (WO) 4210101

(51) **LOC (12) Cl.** **10-02**

(52) **U.S. Cl.**
USPC **D10/39**

(58) **Field of Classification Search**
USPC D10/30-34, 36-39, 122-128, 132;
D11/3, 16, 40, 80, 89-91, 94;
D14/485-487, 490, 492; D24/167, 186
CPC G04B 19/00; G04B 19/06; G04B 19/065;
G04B 19/08; G04B 19/082; G04B 19/10;
G04B 19/103; G04B 19/12; G04B 47/00;
G04B 47/042; G04B 47/06; G04B 47/04;
G04B 47/063; G04B 19/223; G04B
19/22; G04B 19/283; G04B 37/00; G04B
37/0008; G04B 37/12; G04B 37/1486;
G04B 37/0058; G04B 45/00; G04B
45/0038; G04B 45/0069; G04B 45/0076;
A44C 5/00; A44C 5/0053; G04F 3/04817;
G04F 3/04886; H04N 5/443; H04N
5/445; G04G 9/00; G04G 9/082; G04G
9/088; G04G 9/094; G04G 9/02; G04G
9/04; G04G 9/06

See application file for complete search history.

(56) **References Cited**

U.S. PATENT DOCUMENTS

D355,371 S *	2/1995	Strasser	D10/30
D356,041 S *	3/1995	Bulgari	D10/30
D454,310 S *	3/2002	Dostourian	D10/30
D462,015 S *	8/2002	Blondin	D10/30
D468,217 S *	1/2003	Lepeu	D10/32
D473,470 S *	4/2003	Nussbaum	D10/30
D478,515 S *	8/2003	Sugiura	D10/32
D505,628 S *	5/2005	Scheufele	D10/39

(Continued)

OTHER PUBLICATIONS

Cartier Tank Cintree Skeleton | posted at hodinkee.com Oct. 9, 2017
© 2009-2018, Hodinkee Inc [online][site visited Oct. 19, 2018].
Available from internet: <<https://www.hodinkee.com/articles/cartier-tank-cintree-skeleton-hands-on>> (Year: 2017).*

(Continued)

Primary Examiner — Sandra S Snapp
Assistant Examiner — Katherine Glennon
(74) *Attorney, Agent, or Firm* — Taft Stettinius & Hollister LLP

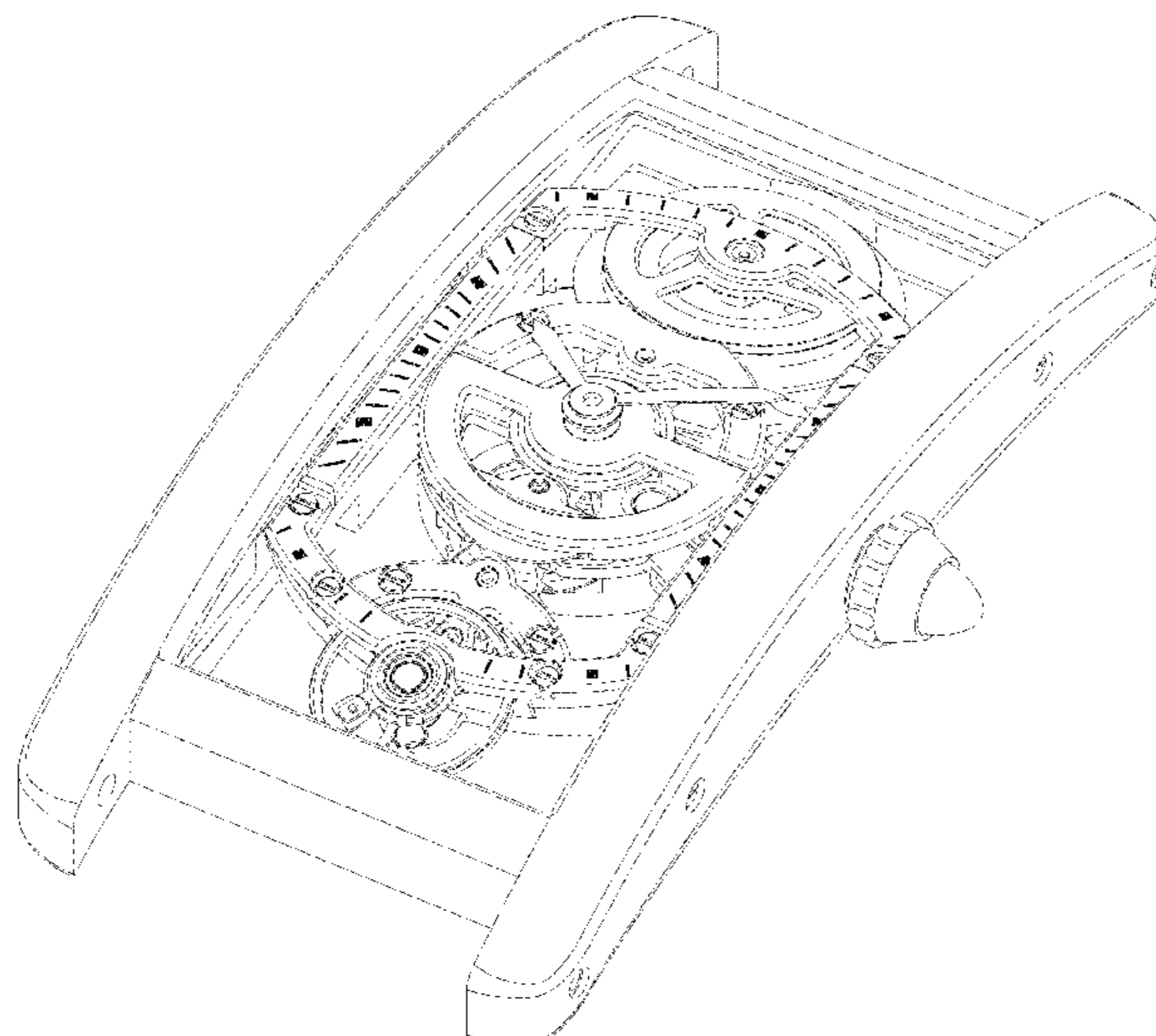
(57) **CLAIM**

The ornamental design for a watch, as shown and described.

DESCRIPTION

FIG. 1 is a front elevational view of a watch showing my new design;
FIG. 2 is a back elevational view thereof;
FIG. 3 is a right side elevational view thereof;
FIG. 4 is a left side elevational view thereof;
FIG. 5 is a bottom plan view thereof;
FIG. 6 is a top plan view thereof;
FIG. 7 is a front, right side perspective view thereof; and,
FIG. 8 is a back, left side perspective view thereof.

1 Claim, 8 Drawing Sheets



(56)

References Cited

U.S. PATENT DOCUMENTS

D514,457 S * 2/2006 Diltoer D10/39
D519,390 S * 4/2006 Lovegrove D10/39
D530,229 S * 10/2006 Wunderman D10/32
D545,695 S * 7/2007 Laucella D10/31
D558,611 S * 1/2008 Wei D10/38
D616,312 S * 5/2010 Ellia D10/39
D621,726 S * 8/2010 Lattmann D10/38
D627,248 S * 11/2010 Dias D10/125
D628,094 S * 11/2010 Rabassa D10/38
D640,572 S * 6/2011 Calce D10/32
D644,539 S * 9/2011 Calce D10/38
D646,184 S * 10/2011 Dupont D10/39
D660,184 S * 5/2012 Calce D10/32
D661,602 S * 6/2012 Calce D10/32
D678,785 S * 3/2013 Rochat D10/39
D738,747 S * 9/2015 Calce D10/125
D761,679 S * 7/2016 Berhanu D10/126

D769,735 S * 10/2016 Amfitheatrof D10/30
D793,873 S * 8/2017 Lasserre D10/30
2004/0141423 A1* 7/2004 Hurni G04B 19/06
368/232

OTHER PUBLICATIONS

Cartier Vintage Tank Cintree | bachmann-scher.de circa 1977 ©
2018 Bachmann & Scher GbR [online][site visited Oct. 11, 2018].
Available from internet: <<https://www.bachmann-scher.de/en/sold-watches/cartier-vintage-tank-cintree-curve-pre-tank-america-man-size-18k-yellow-gold-manual-bj-1977-3749.html>> (Year: 1977).*
Skeleton Watches from SIHH 2015 | posted at dev.quillandpad.com
2015 © Quill & Pad [online][site visited Oct. 19, 2018]. Available
from internet: <<http://dev.quillandpad.com/2015/01/29/give-me-five-skeleton-watches-from-sihh-2015/>> (Year: 2015).*

* cited by examiner

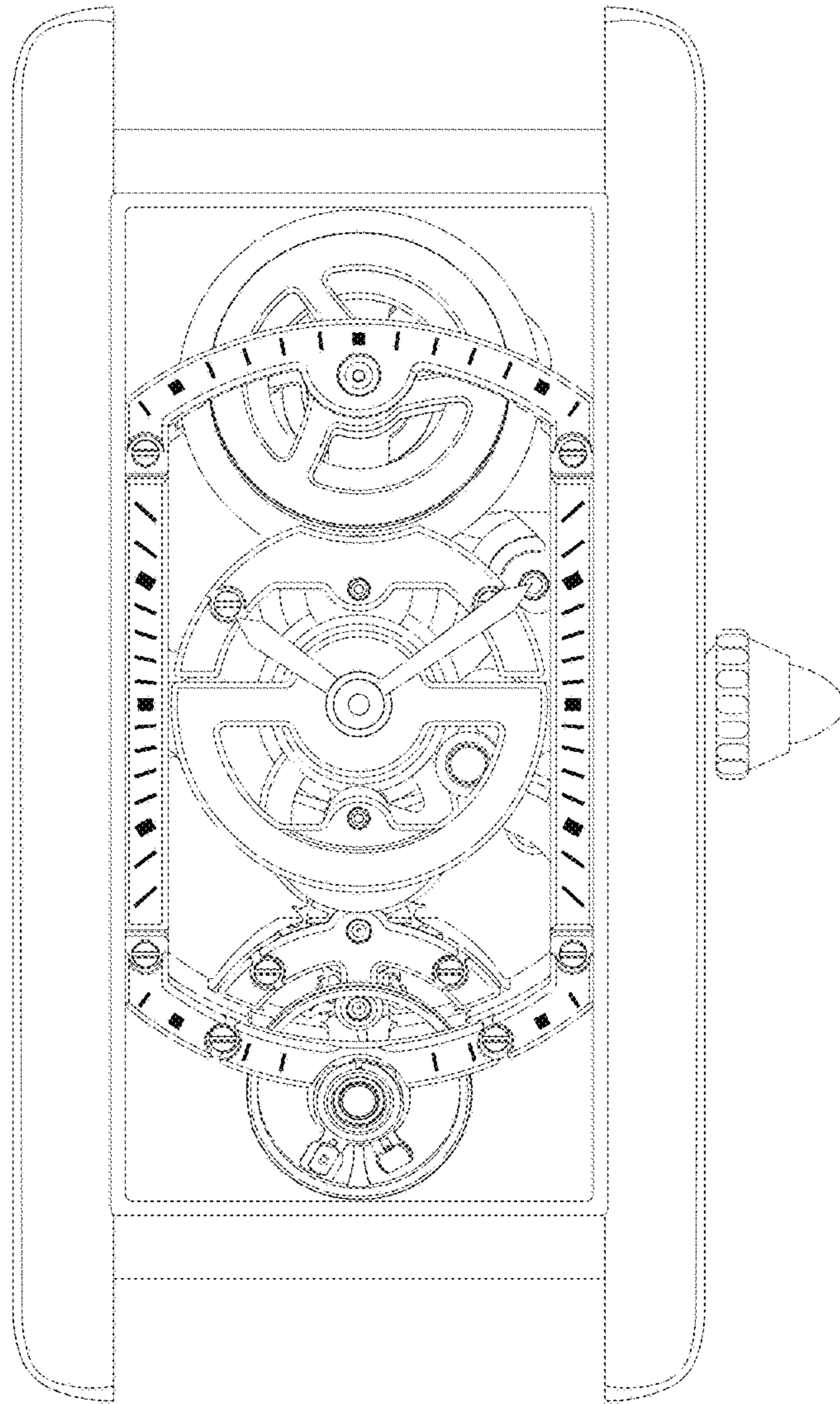


Fig. 1

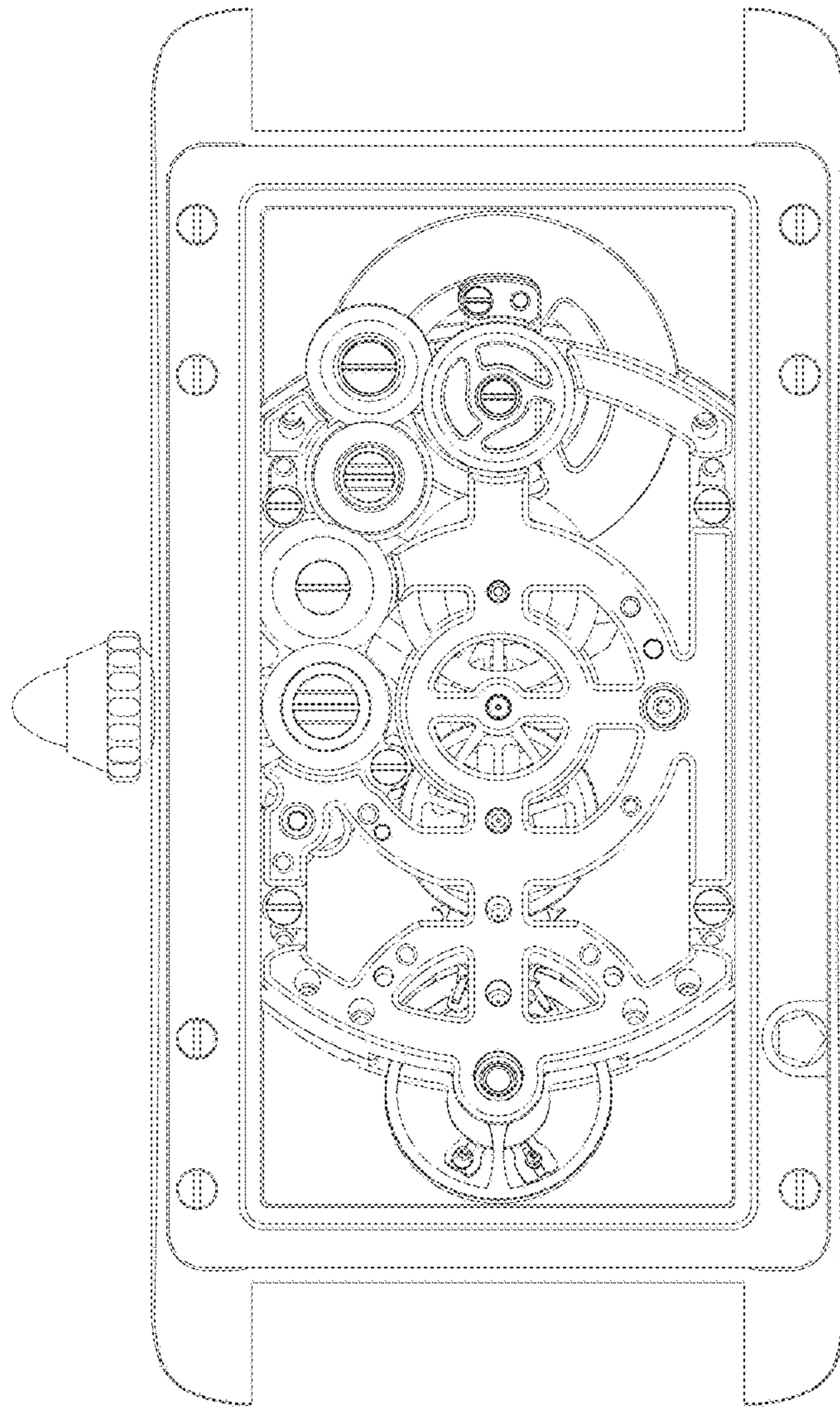


Fig. 2

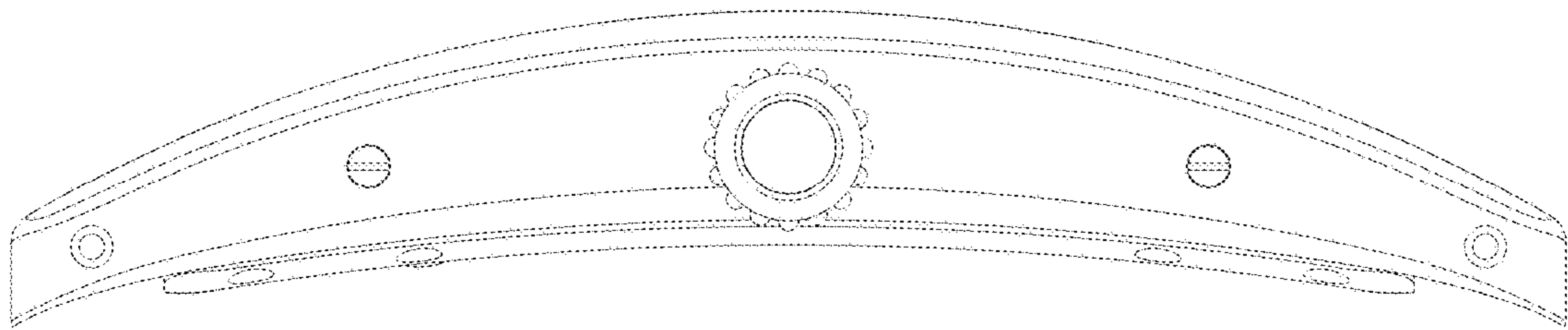


Fig. 3

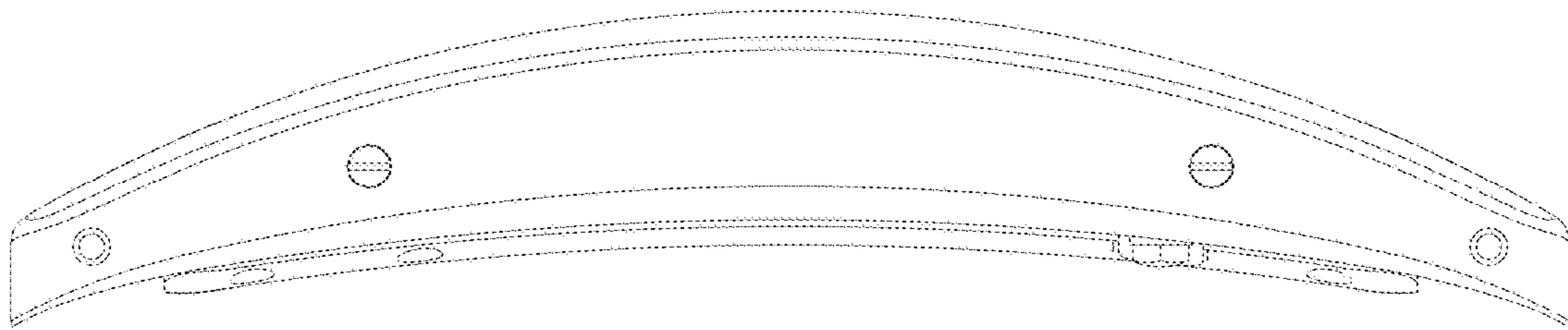


Fig. 4

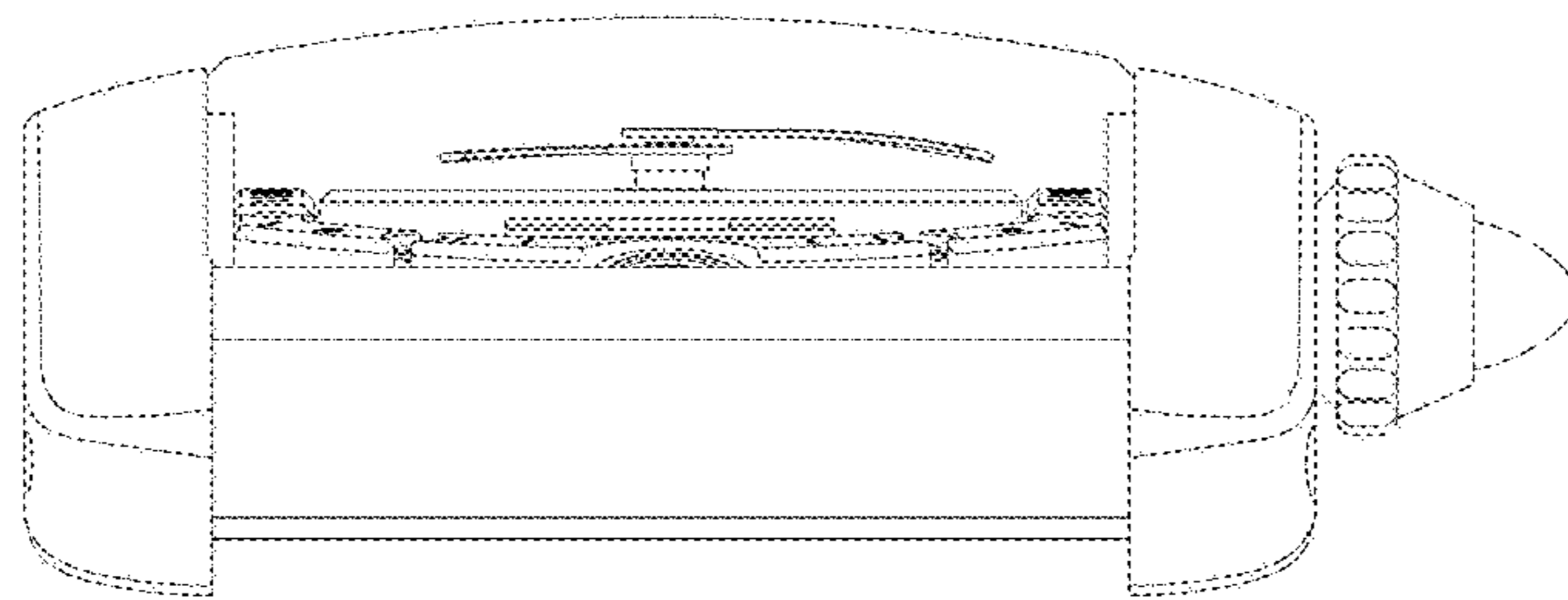


Fig. 5

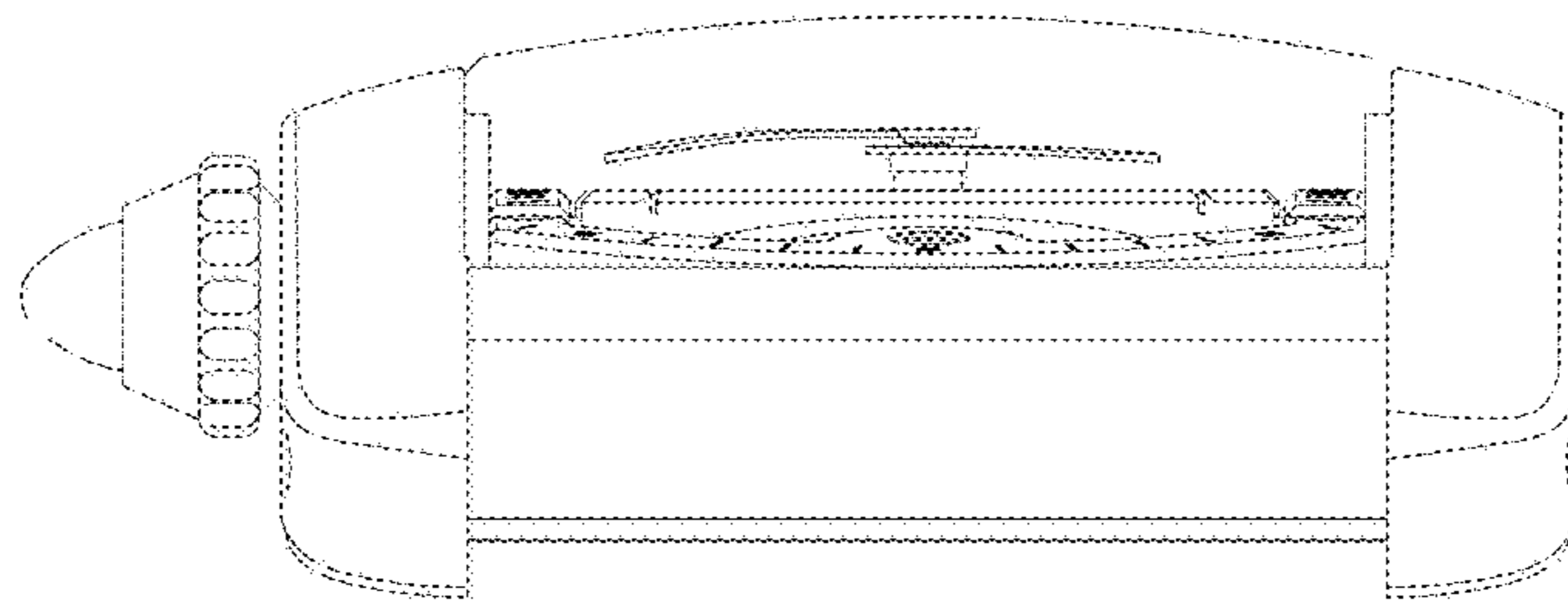


Fig. 6

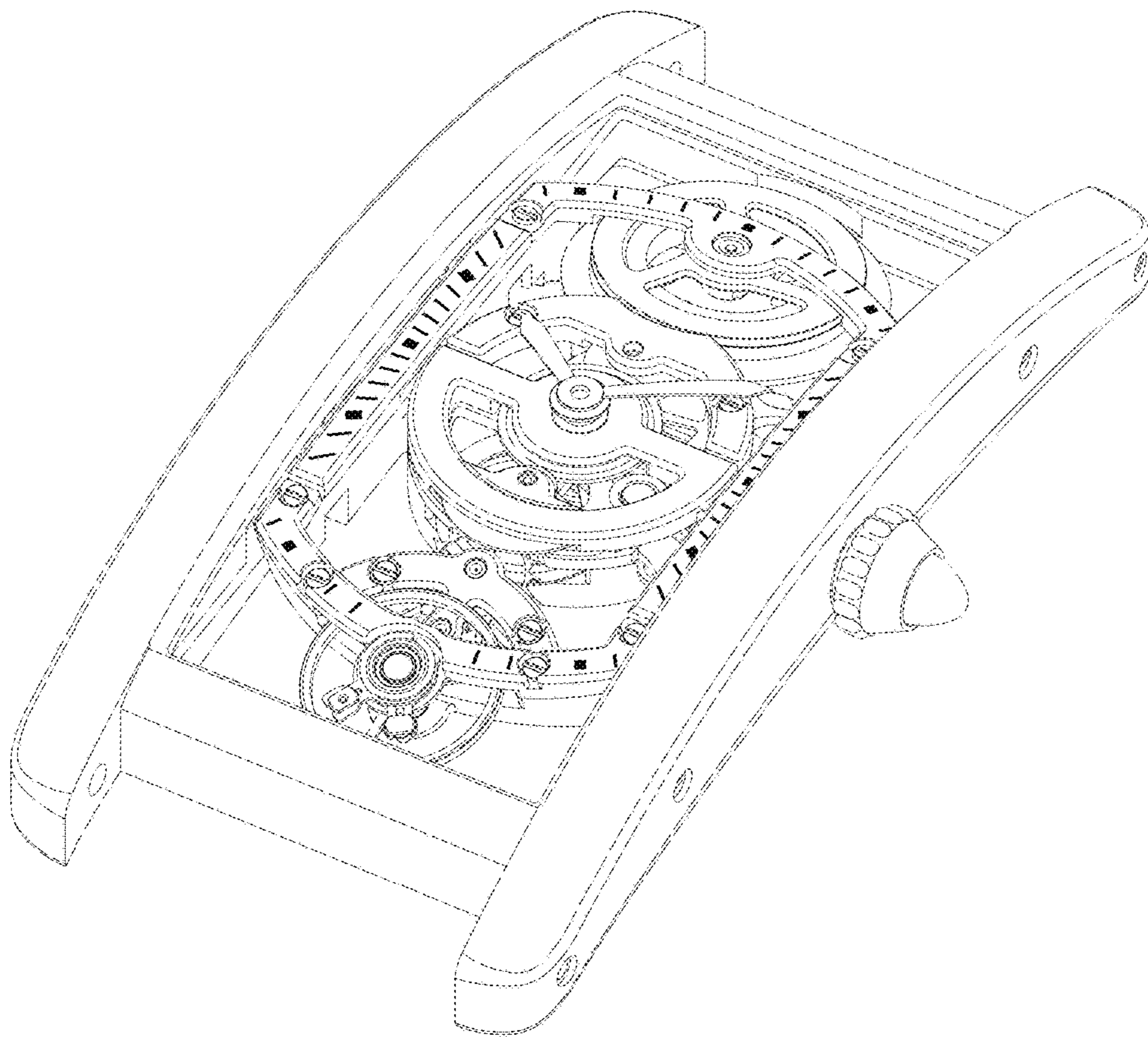


Fig. 7

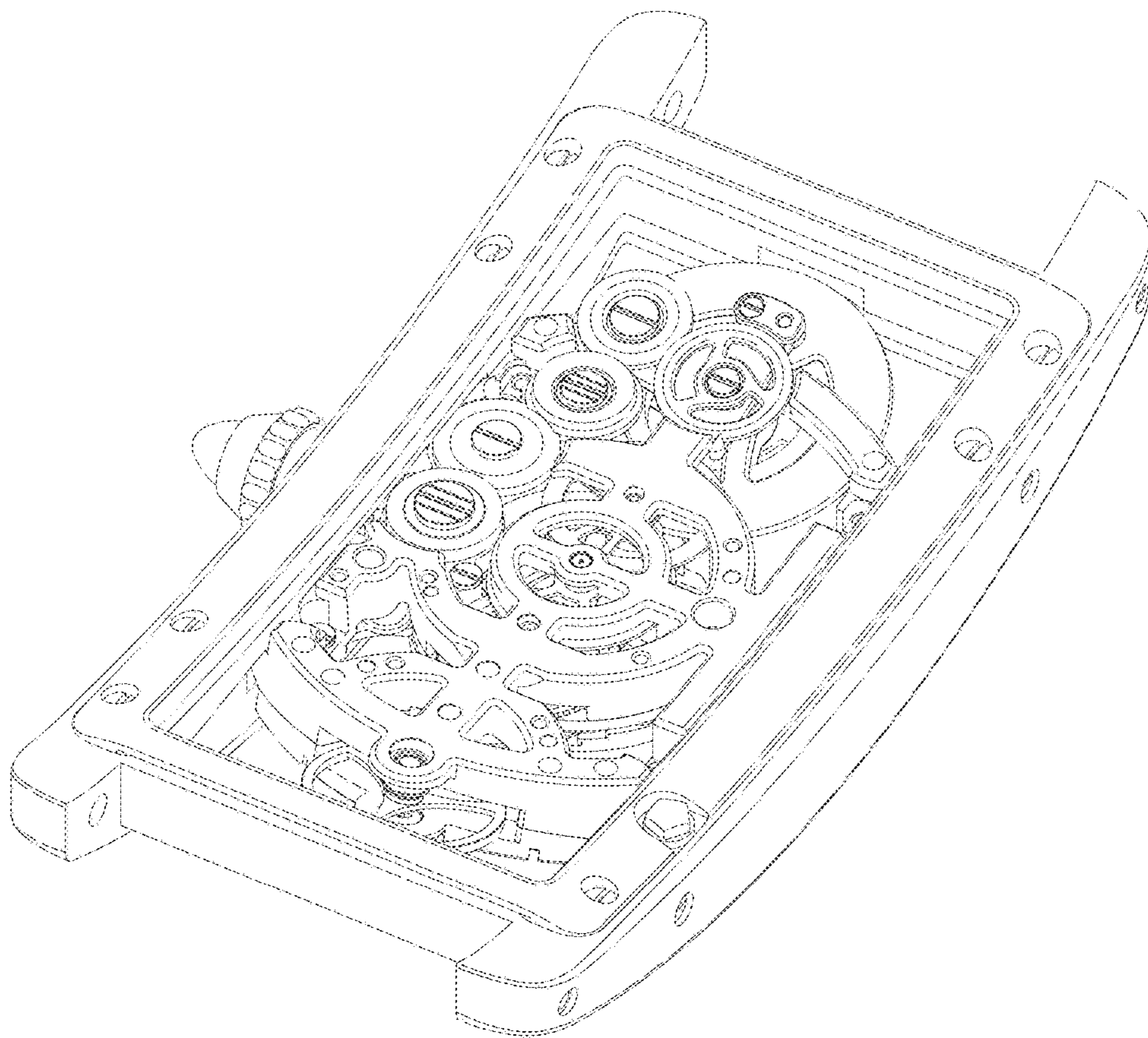


Fig. 8