



US00D861506S

(12) **United States Design Patent** (10) **Patent No.:** **US D861,506 S**
Lintz et al. (45) **Date of Patent:** **** Oct. 1, 2019**

(54) **WATCH**

(71) Applicant: **Withings**, Issy les Moulineaux (FR)

(72) Inventors: **Frédéric Lintz**, Montreuil (FR);
Thibaut Barbedette, Paris (FR)

(73) Assignee: **Withings** (FR)

(**) Term: **15 Years**

(21) Appl. No.: **29/591,477**

(22) Filed: **Jan. 20, 2017**

(30) **Foreign Application Priority Data**

Jul. 20, 2016 (EM) 003313337-0001
Jul. 20, 2016 (EM) 003313337-0002
Jul. 20, 2016 (EM) 003313337-0003

(51) **LOC (12) Cl.** **10-02**

(52) **U.S. Cl.**
USPC **D10/39; D14/344**

(58) **Field of Classification Search**
USPC D10/22, 30-32, 37-39, 65, 70, 98, 103,
D10/122-124, 126-128, 131; D14/344
CPC A44C 5/16; A44C 5/22; A44C 5/24; A44C
5/243; A44C 5/246; A44C 5/10; A44C
5/102; A44C 5/105; A44C 5/107; A44C
5/02; A44C 5/027; A44C 5/00; A44C
5/0053; A44C 5/0076; A44C 5/0069;
G04B 19/06; G04B 19/08; G04B 19/085;
G04B 19/103; G04B 19/12; G04B 19/18;
G04B

(Continued)

(56) **References Cited**

U.S. PATENT DOCUMENTS

D221,289 S 7/1971 VanHaafte
3,786,627 A 1/1974 Takagi et al.

(Continued)

OTHER PUBLICATIONS

Withings Activite Pop l posted by Tony Smith at theregister.co.uk Jan. 2015 © 1998-2018 [online][site visited Jan. 17, 2018. Available from Internet: <https://www.theregister.co.uk/2015/01/29/review_withings_activite_pop_smart_watch/> (Year: 2015).*

(Continued)

Primary Examiner — Karen E Kearney

Assistant Examiner — Katherine A Glennon

(74) *Attorney, Agent, or Firm* — Saidman DesignLaw Group, LLC

(57) **CLAIM**

The ornamental design for a watch, as shown and described.

DESCRIPTION

FIG. 1 is a perspective view of a watch showing our new design;

FIG. 2 is a front view thereof;

FIG. 3 is a rear view thereof;

FIG. 4 is a left side view thereof;

FIG. 5 is a right side view thereof;

FIG. 6 is a top view thereof;

FIG. 7 is a bottom view thereof;

FIG. 8 is another front view thereof, showing an alternate environment;

FIG. 9 is an enlarged view of the portion labeled as 9 in FIG. 2; and,

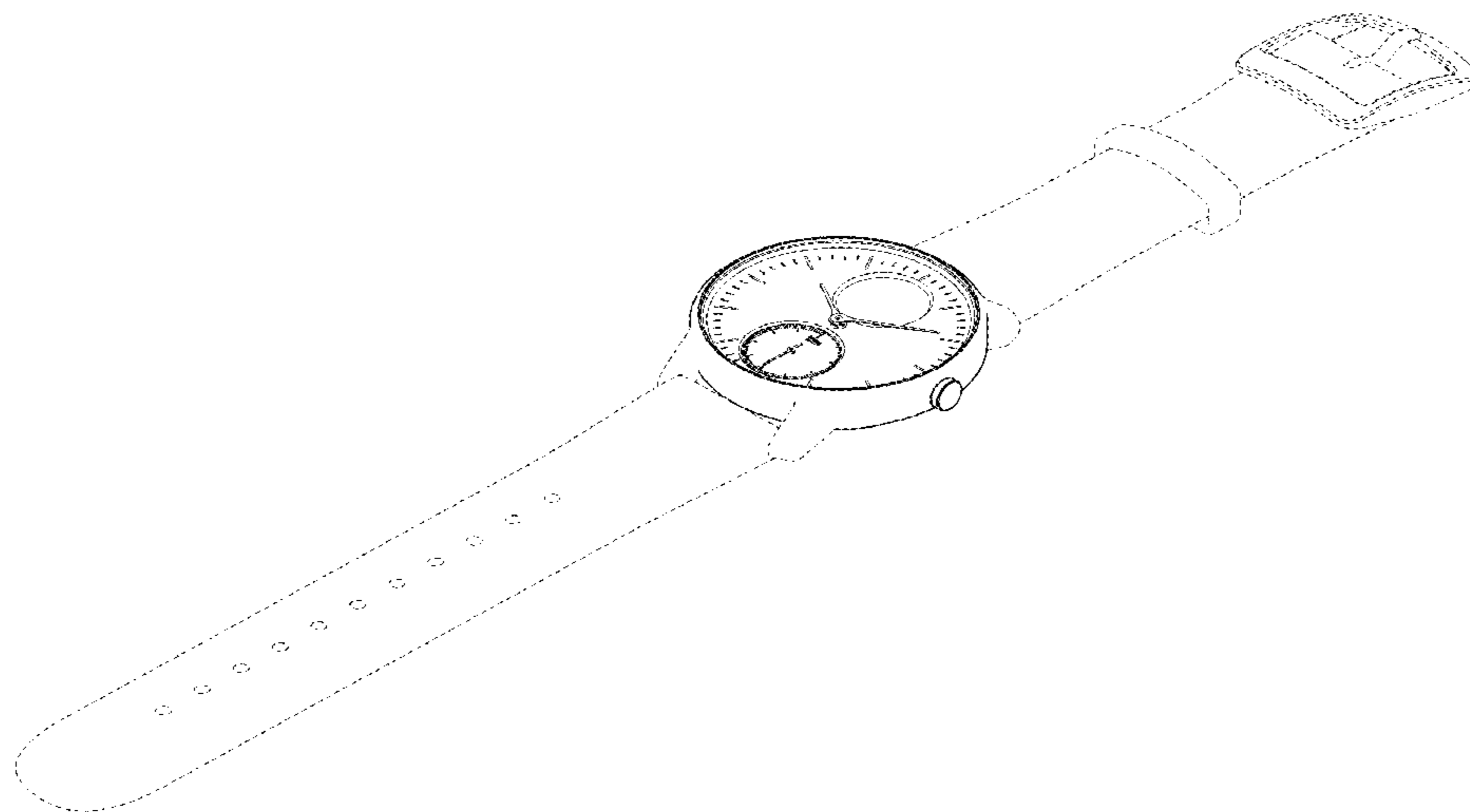
FIG. 10 is an enlarged view of the portion labeled as 10 in FIG. 8.

The uniform dashed lines illustrate structure or features which form no part of the claimed design.

The dot-dash broken lines in FIGS. 2, 8, 9 and 10 encircle portions of the claimed design that are illustrated in enlargements.

The claimed design includes the hour, minute, and second hands on the front face of the watch, but the particular position of the hands forms no part of the claimed design.

1 Claim, 6 Drawing Sheets



- (58) **Field of Classification Search**
 CPC 19/22; G04B 19/223; G04B 19/24; G04B
 19/26; G04B 19/283; G04B 19/30; G04B
 19/00; G04B 19/025; G04B 19/04; G04B
 3/046; G04B 3/048; G04B 37/106; G04B
 3/001; G04B 37/1486; G04F 7/08; G04F
 7/0804; G04F 7/0842; G04F 7/0852;
 G04F 7/0857; G04F 7/0861; G04F
 7/0871; G04F 7/0876

See application file for complete search history.

(56) **References Cited**

U.S. PATENT DOCUMENTS

4,540,242 A * 9/1985 Shibuya B60Q 1/54
 349/142
 D317,128 S 5/1991 Benson
 D318,809 S * 8/1991 Bourquin D10/39
 5,119,349 A 6/1992 Muto et al.
 D336,616 S 6/1993 Gueit
 D338,461 S 8/1993 Kizaki
 D353,108 S 12/1994 Rabassa
 D356,961 S 4/1995 Giardiello
 D360,593 S * 7/1995 McLaughlin D10/126
 D367,240 S 2/1996 Svast
 D391,174 S * 2/1998 Modolo D10/128
 D397,042 S * 8/1998 Riley D10/30
 D406,782 S 3/1999 Dumas
 D424,952 S * 5/2000 Porsche D10/32
 6,275,450 B1 * 8/2001 Makiba G04B 19/06
 368/223
 D452,175 S * 12/2001 Finazzi D10/39
 D469,363 S 1/2003 Mittersinker et al.
 D474,118 S 5/2003 Monachon
 6,690,623 B1 * 2/2004 Maano G04C 17/02
 368/223
 6,894,951 B1 5/2005 Brandt et al.
 D513,710 S 1/2006 Nataf
 D518,743 S 4/2006 Sugiura et al.
 D526,923 S 8/2006 Okaya
 D531,536 S 11/2006 Lovegrove
 D536,995 S * 2/2007 Oshita D10/31
 D551,095 S * 9/2007 Monachon D10/32
 D565,432 S * 4/2008 Colombo D10/39
 D572,609 S * 7/2008 Colombo D10/39
 D584,644 S * 1/2009 De Givenchy D10/39
 D603,277 S * 11/2009 Clausen D10/50
 7,903,503 B2 3/2011 Olmes
 D651,928 S * 1/2012 Favre D10/126
 D658,509 S 5/2012 Wai Kei
 D676,338 S * 2/2013 Jacquerye D10/39

D684,486 S 6/2013 Messmer et al.
 D697,823 S 1/2014 Mijatovic
 D701,134 S 3/2014 Cerrato
 8,787,118 B2 * 7/2014 Beccia G04B 19/223
 368/27
 D718,150 S * 11/2014 Gueit D10/32
 8,918,219 B2 * 12/2014 Sloo G05D 23/1902
 700/276
 D723,050 S * 2/2015 Minsung D14/486
 D723,962 S 3/2015 Gueit
 D723,963 S 3/2015 Gueit
 D724,464 S * 3/2015 Behling D10/126
 D733,583 S * 7/2015 Monachon D10/126
 9,082,314 B2 * 7/2015 Tsai G09B 19/12
 D740,696 S 10/2015 Monachon
 D743,827 S 11/2015 Prince et al.
 D746,712 S 1/2016 Cerrato
 D746,713 S 1/2016 Cerrato
 D748,501 S 2/2016 Cerrato
 D749,448 S 2/2016 Monachon
 D752,583 S * 3/2016 Solomon D10/38
 D757,079 S * 5/2016 Chaudhri D14/486
 9,329,572 B2 * 5/2016 Helfer G04B 19/042
 D759,513 S * 6/2016 Belamich D10/126
 D761,273 S * 7/2016 Kim D14/485
 D768,525 S 10/2016 Calvani
 D768,526 S 10/2016 Cerrato
 D770,319 S 11/2016 Gueit
 D778,952 S * 2/2017 Kim D14/489
 D779,342 S * 2/2017 Lintz D10/30
 D782,923 S * 4/2017 Belamich D10/39
 D791,632 S * 7/2017 Lintz D10/126
 D792,786 S * 7/2017 Davoli D10/30
 2008/0304366 A1 * 12/2008 Ruchonnet G01L 7/163
 368/11
 2012/0182838 A1 * 7/2012 Farron G04B 27/026
 368/18
 2013/0329530 A1 * 12/2013 Johansson G04F 7/0871
 368/29
 2018/0101140 A1 * 4/2018 Yuen G04G 9/0017
 2018/0120771 A1 * 5/2018 Feyer G04B 19/046

OTHER PUBLICATIONS

August Steiner Watch | posted at forums.realgm.com Sep. 2012 ©
 2000-2018 RealGM, L.L.C [online][site visited Jan. 17, 2018].
 Available from Internet: <<https://forums.realgm.com/boards/viewtopic.php?t=1204121> (Year: 2012).*
 U.S. Appl. No. 20/576,820, filed Sep. 7, 2016. (Unpublished).
 U.S. Appl. No. 29/594,211, filed Feb. 16, 2017. (Unpublished).

* cited by examiner

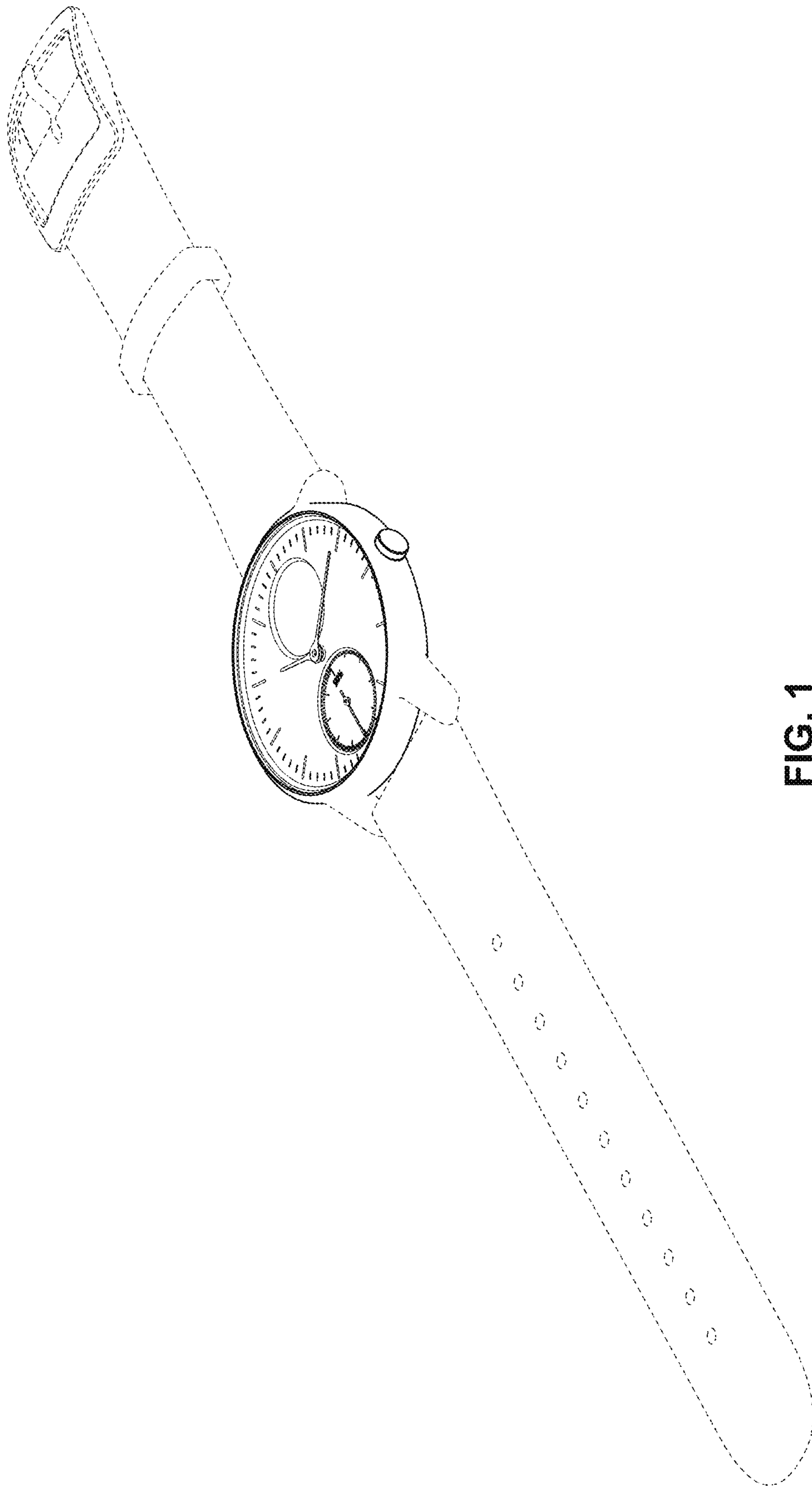


FIG. 1

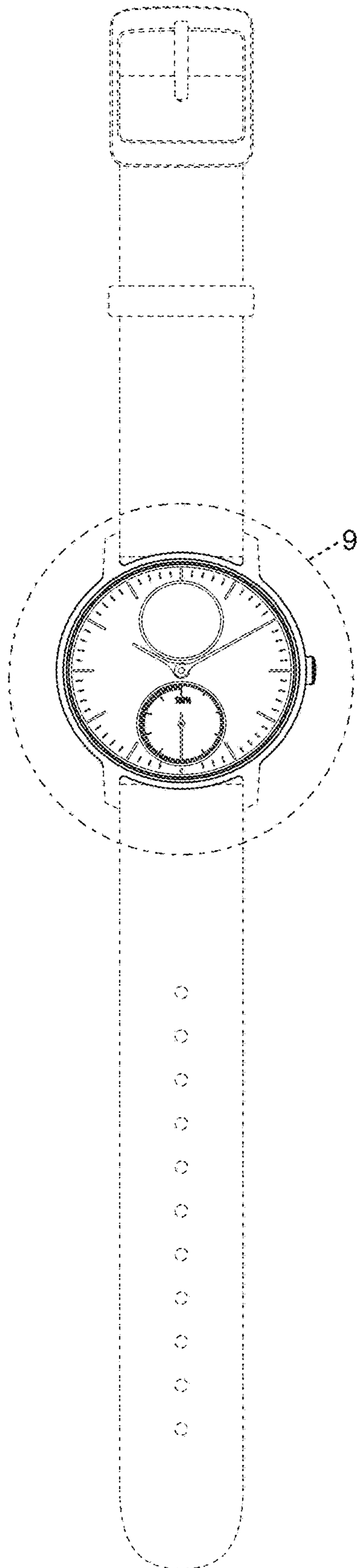


FIG. 2

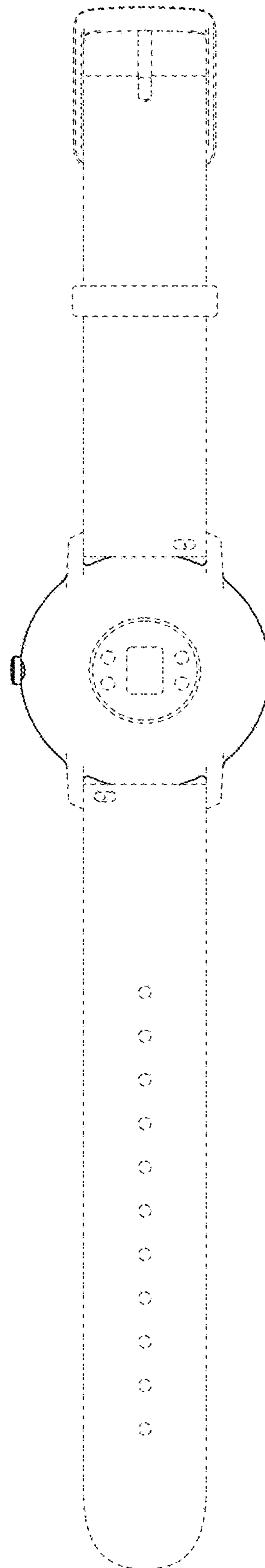


FIG. 3

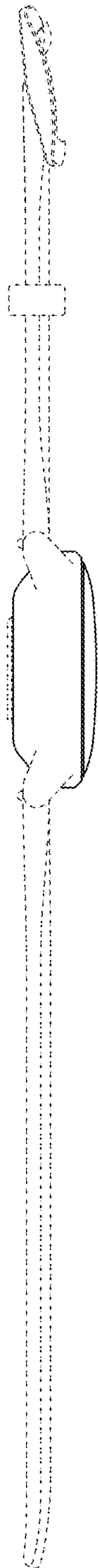


FIG. 4



FIG. 5

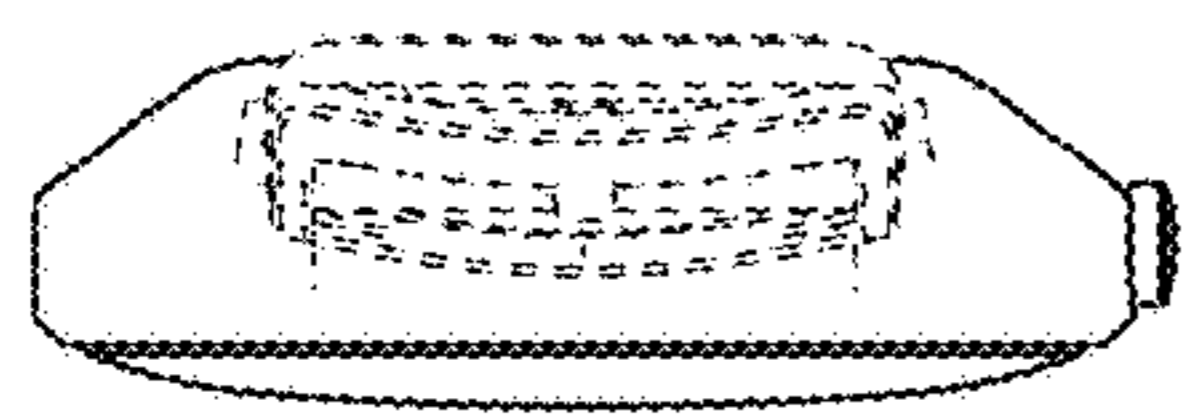


FIG. 6

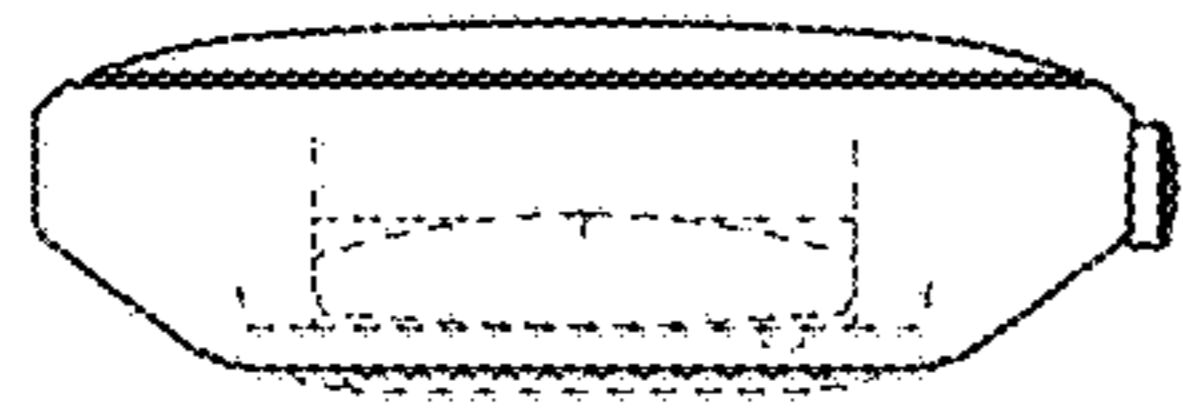


FIG. 7

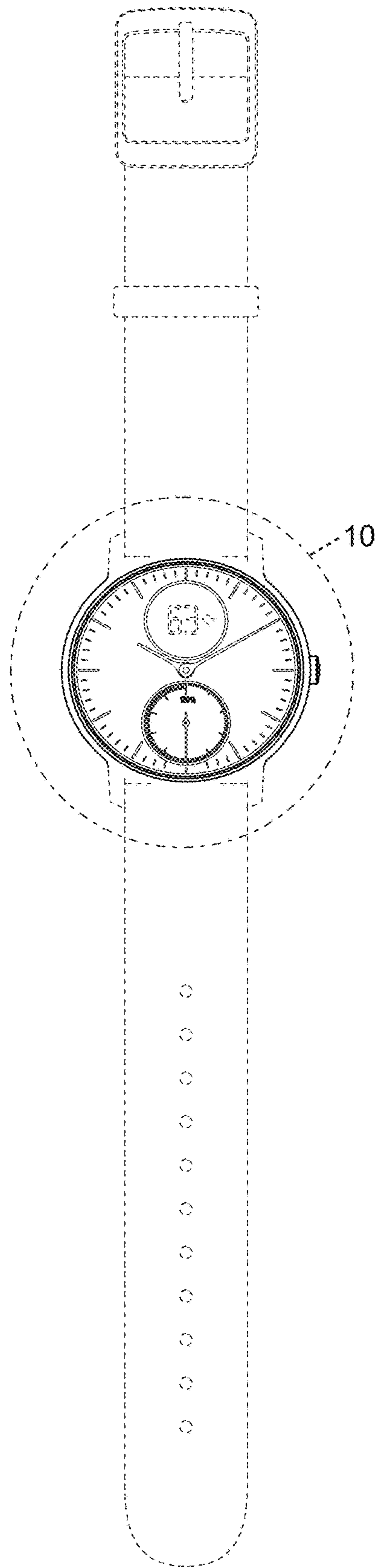


FIG. 8

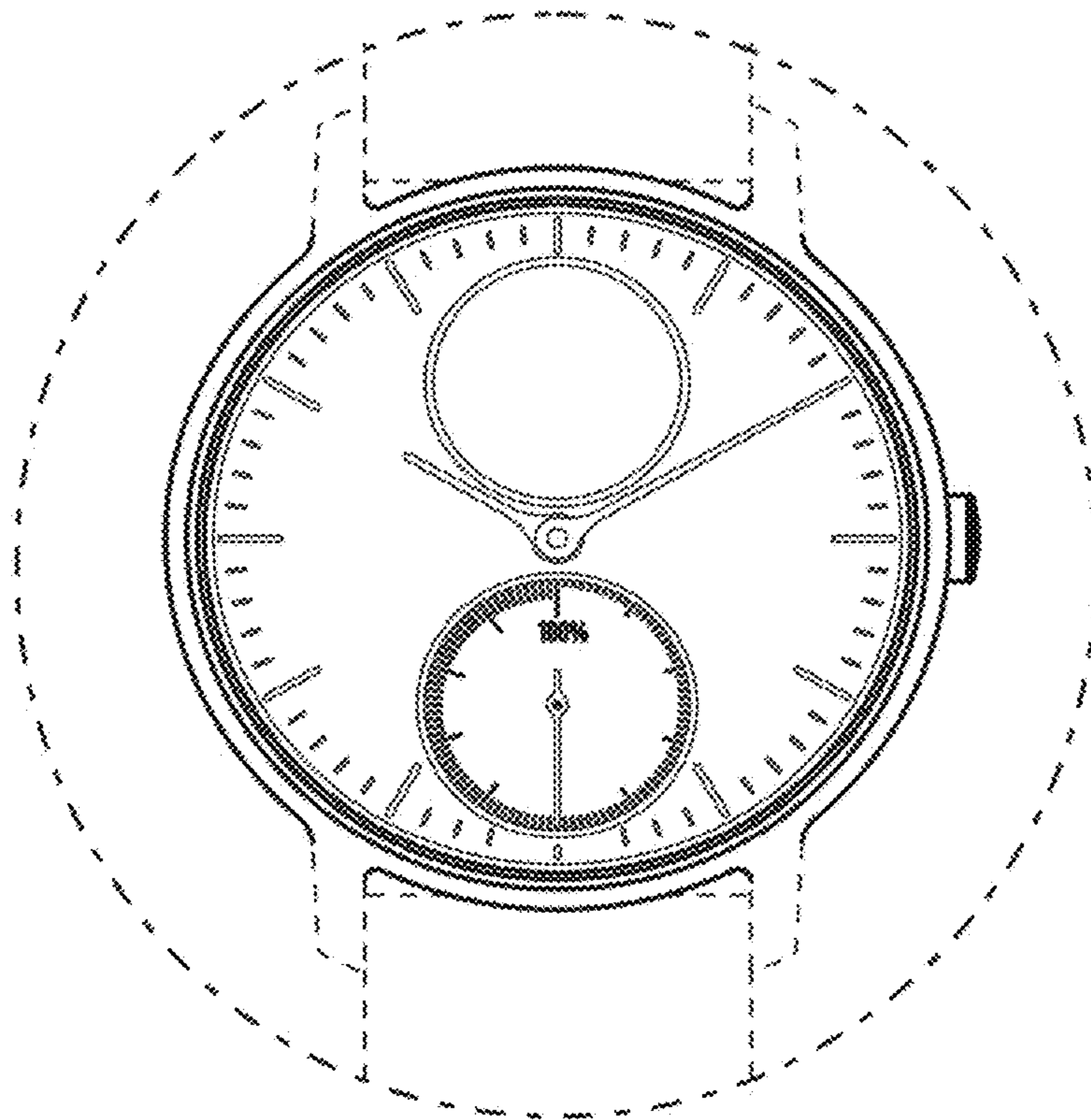


FIG. 9

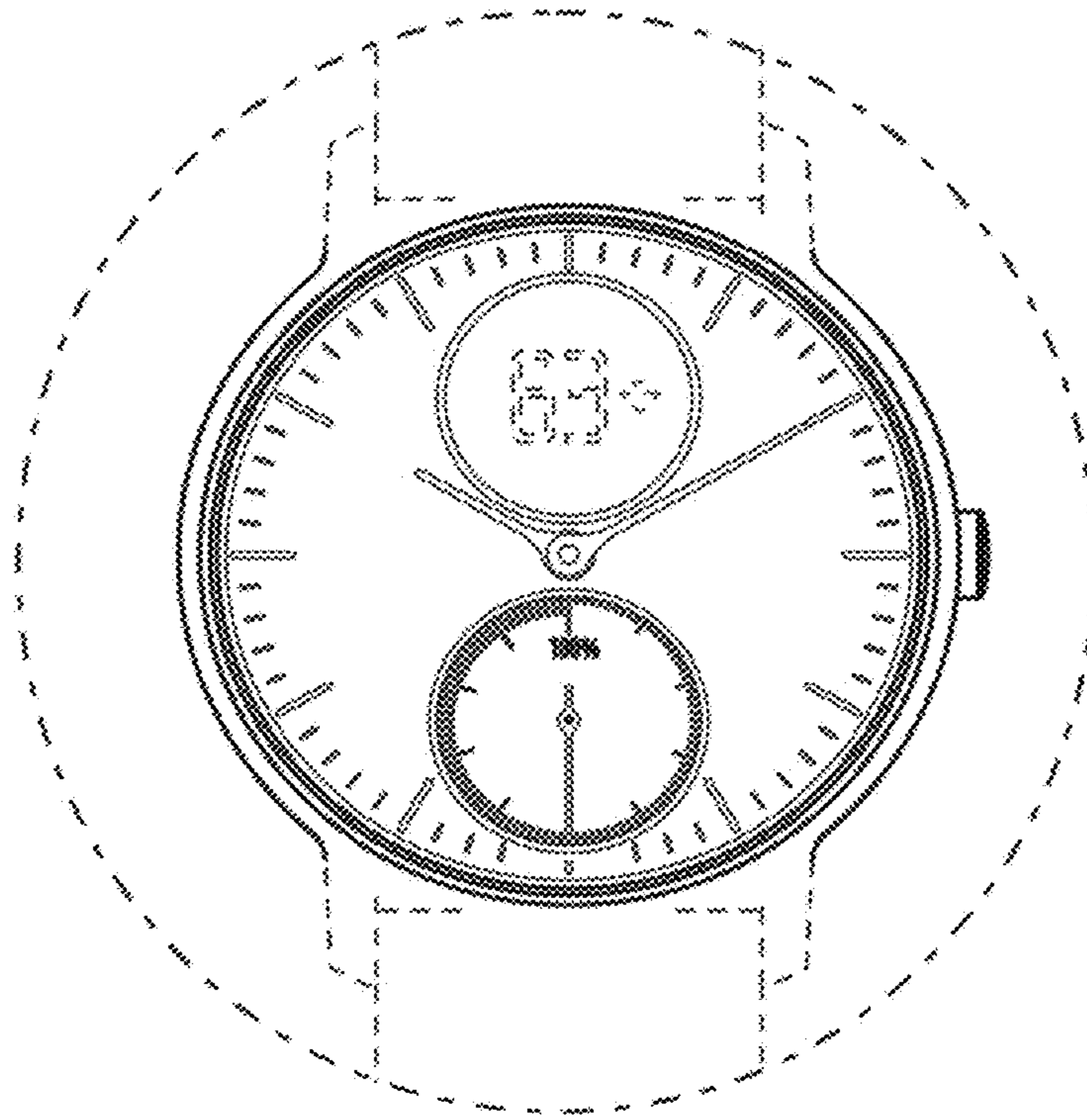


FIG. 10